

Zf Steering Box Spare Parts Catalog

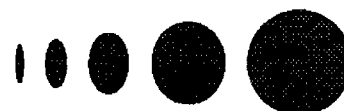
Full download: <http://manualplace.com/download/zf-steering-box-spare-parts-catalog/>



Spare Parts Catalog

ZF-SERVOCOM

Material number: 8098.955.659



Explosivbild: E 8098.001

Technische Ansicht: T 8098.001 Variante (I)

B = 80 C = 137 R = 176,5 FL(001) = 160 FL(005) = 232,5

Kunden - Sachnummer: 41042515

Kunde: Iveco / Italien

Fahrzeugtyp: SPR-Reihe 2, 4x2, 6x2, 6x4 NKW - Rechtslenker

Schnecke rechtsgaengig, Segmentwelle links, Kolben vorn

Erforderlicher Oelstrom: 16 - 20 l/min

Ohne automatische Entlueftung

Lenkungsuebersetzung: variabel 26,2 / 22,2 / 26,2 : 1

Lenkradumdrehungen insgesamt: 6,2

Drehstabdurchmesser 7,4 mm

Druckleitungsanschluss: M 18x1,5 am Gehaeuse rechts

Rueckleitungsanschluss: M 18x1,5 am Zylinderdeckel vorn

Mit hydraulischer Lenkbegrenzung im Kolben rechts fuer automatische Einstellung

Schaltbereich der hydraulischen Lenkbegrenzung von 32 bis 47 Grad

Segmentwelle mit kegel. Kerbverzahnung B 2 5/16" x 48 ZGN 738

5 Befestigungsgewinde M 20x1,5 am Gehaeuse links

Stummelanschluss 1x79 ZGN 715

Druckbegrenzungsventil 170 + 10 bar im Gehaeuse links unten, ohne Nachsaugventil

Arbeitszylinderanschluesse M 18x1,5 am Gehaeuse vorn unten und am Zylinderdeckel oben rechts

Segmentwelle mit Sicherungsmutter

Staubdichtung mit Haltering und Dichtung

Stopfen mit Dichtung versenkt

Typenschild am Zylinderdeckel sowie 2 Bohrungen für Typenschild vom Fahrzeughersteller

Einbauhinweis:

Anziehdrehmoment der Sicherungsmutter M 45x1,5; SW 70 (Bild-Nr. 50): 570 Nm +/- 10 %

Anziehdrehmoment der Lenkungsbefestigungsschrauben M 20x1,5: 520 Nm +/- 10%

Stand: 17.01.03



| Graphics | Pos. | Material number | Name | VKF | Amend. no. | Amend. start | Prod. no. | Material feature / tech. info. | ID |
|----------|-------|-----------------|--------------------|-----|------------|--------------|-----------|--------------------------------|----|
| t8098001 | +++ | 8098.955.659 | ZF-SERVOCOM | 0 | | 00.00.0000 | | HYDROLENKUNG | 0 |
| | 20.9 | 0770.196.191 | SCREW | 2 | KDLS439 | 26.05.2003 | | 8098.230.102/105 | 4 |
| | --- | 8098.230.102 | SCREW | 1 | | 00.00.0000 | | KENNZIFFER 8 | 5 |
| | --- | 8098.230.105 | SCREW | 1 | | 00.00.0000 | | CODE-NR.8 | 5 |
| | 22 | 7752.242.259 | VALVE INSERT | 1 | | 00.00.0000 | | KZ 170 | 4 |
| | 100 | 8098.444.430 | PISTON | 1 | KDLS3814 | 26.05.2003 | | | 4 |
| | 109 | 8098.342.120 | VALVE INSERT | 1 | | 00.00.0000 | | | 5 |
| | 113.1 | 0770.101.334 | COMPENSATING PLATE | 1 | | 00.00.0000 | | WTB*ZCH.0770 045 046(C) | 4 |
| | 113.9 | 8095.233.111 | GASKET | 1 | | 00.00.0000 | | | 4 |
| | --- | 7130.100.007 | BALL SET | 1 | | 00.00.0000 | | BEST.AUS 37 KUGELN/SATZ | 1 |
| | --- | 7130.640.405 | BALL SET | 1 | | 00.00.0000 | | 6,989 | 4 |
| | --- | 7130.640.406 | BALL SET | 1 | | 00.00.0000 | | 6,990 | 5 |
| | --- | 7130.640.407 | BALL SET | 1 | | 00.00.0000 | | 6,991 | 4 |
| | --- | 7130.640.408 | BALL SET | 1 | | 00.00.0000 | | 6,992 | 5 |
| | --- | 7130.640.409 | BALL SET | 1 | | 00.00.0000 | | 6,993 | 4 |
| | --- | 7130.640.410 | BALL SET | 1 | | 00.00.0000 | | 6,994 | 5 |
| | --- | 7130.640.411 | BALL SET | 1 | | 00.00.0000 | | 6,995 | 4 |
| | --- | 7130.640.412 | BALL SET | 1 | | 00.00.0000 | | 6,996 | 5 |
| | --- | 7130.640.413 | BALL SET | 1 | | 00.00.0000 | | 6,997 | 4 |
| | --- | 7130.640.414 | BALL SET | 1 | | 00.00.0000 | | 6,998 | 5 |
| | --- | 7130.640.415 | BALL SET | 1 | | 00.00.0000 | | 6,999 | 4 |
| | --- | 7130.640.416 | BALL SET | 1 | | 00.00.0000 | | 7,000 | 5 |
| | --- | 7130.640.417 | BALL SET | 1 | | 00.00.0000 | | 7,001 | 4 |
| | --- | 7130.640.418 | BALL SET | 1 | | 00.00.0000 | | 7,002 | 5 |
| | --- | 7130.640.419 | BALL SET | 1 | | 00.00.0000 | | 7,003 | 4 |
| | --- | 7130.640.420 | BALL SET | 1 | | 00.00.0000 | | 7,004 | 5 |
| | --- | 7130.640.421 | BALL SET | 1 | | 00.00.0000 | | 7,005 | 4 |
| | --- | 7130.640.422 | BALL SET | 1 | | 00.00.0000 | | 7,006 | 5 |
| | --- | 7130.640.423 | BALL SET | 1 | | 00.00.0000 | | 7,007 | 4 |
| | --- | 7130.640.424 | BALL SET | 1 | | 00.00.0000 | | 7,008 | 5 |
| | --- | 7130.640.425 | BALL SET | 1 | | 00.00.0000 | | 7,009 | 4 |
| | --- | 7130.640.426 | BALL SET | 1 | | 00.00.0000 | | 7,010 | 5 |
| | --- | 7130.640.427 | BALL SET | 1 | | 00.00.0000 | | 7,011 | 4 |
| | --- | 7130.640.428 | BALL SET | 1 | | 00.00.0000 | | 7,012 | 5 |

VKF Incidence factor

ID Identification (output code)

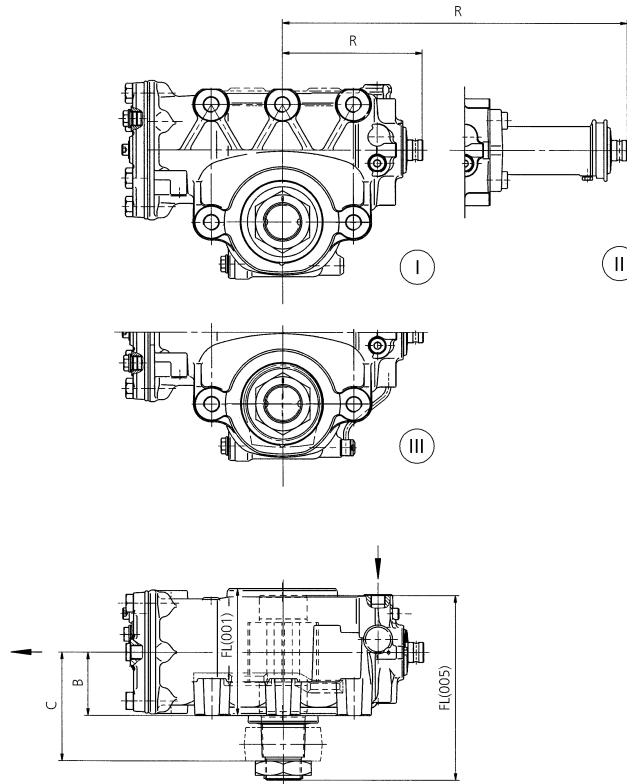


| Graphics | Pos. | Material number | Name | VKF | Amend. no. | Amend. start | Prod. no. | Material feature / tech. info. | ID |
|----------|------|-----------------|------------------|-----|------------|--------------|-----------|--------------------------------|----|
| | --- | 7130.640.429 | BALL SET | 1 | | 00.00.0000 | | 7,013 | 4 |
| | --- | 7130.640.430 | BALL SET | 1 | | 00.00.0000 | | 7,014 | 5 |
| | --- | 7130.640.431 | BALL SET | 1 | | 00.00.0000 | | 7,015 | 4 |
| | --- | 7130.640.432 | BALL SET | 1 | KDLS1341 | 26.05.2003 | | 6,985 | 5 |
| | --- | 7130.640.433 | BALL SET | 1 | KDLS1341 | 26.05.2003 | | 6,986 | 5 |
| | --- | 7130.640.434 | BALL SET | 1 | KDLS1341 | 26.05.2003 | | 6,987 | 5 |
| | --- | 7130.640.435 | BALL SET | 1 | KDLS1341 | 26.05.2003 | | 6,988 | 5 |
| | --- | 8098.401.520 | HOUSING | 1 | | 00.00.0000 | | | 4 |
| | 4 | 8098.302.104 | HOUSING COVER | 2 | KDLS939 | 26.05.2003 | | | 4 |
| | 7 | 0770.196.134 | RETAINING RING | 2 | | 00.00.0000 | | WBB*0770 069 566/703 | 4 |
| | 8 | 0770.198.134 | SHAFT SEAL | 1 | | 00.00.0000 | | 26 X 34X 7/8 AS 20 BAR | 4 |
| | --- | 8098.402.201 | CYLINDER COVER | 1 | | 00.00.0000 | | | 4 |
| | 121 | 0770.101.306 | WASHER | 1 | | 00.00.0000 | | WTB*ZCH.0770 033 806(C) | 4 |
| | --- | 8098.440.246 | SMALL COMPONENTS | 1 | | 00.00.0000 | | | 4 |
| | KIT | 8098.633.504 | REPAIR KIT | 1 | | 00.00.0000 | | | 1 |
| | KIT | 8098.671.113 | REPAIR KIT | 1 | | 00.00.0000 | | LENKSPINDELABDICHTUNG | 1 |

VKF Incidence factor

ID Identification (output code)

Material number: 8098.955.659 ZF-SERVOCOM /
Plant: t8098001 ZF-SERVOCOM
Material-assembly-group-no: 8098.955.659



T 8098.001

