



# Operating Instructions

**ZF Marine Transmissions**

**BW 1202**

**BW 1502**

**BW 2002**

3052 758 111

# ZF Marine gears BW 1202 BW 1502 BW 2002

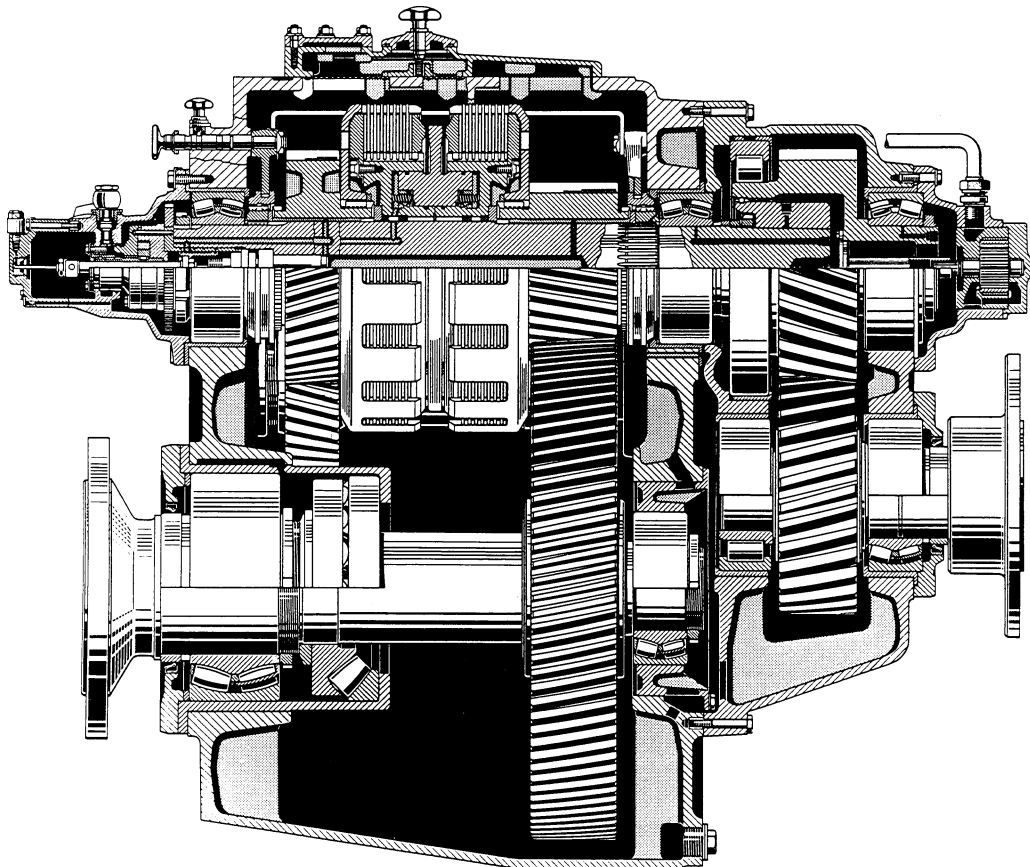
**Description  
installation  
operation  
and maintenance**

1st edition

The description, operation and maintenance sections are applicable to the standard gearbox version.

Variations are possible according to special customer requirements and operating conditions. If the data in the description, installation, operation and maintenance sections are different from those in the technical or commercial specification, then the data in the specifications apply.

The "ZF list of lubricants TE-ML 04 for ZF marine gears" is valid.



Technical modifications reserved

ZAHNRADFABRIK FRIEDRICHSHAFEN AKTIENGESELLSCHAFT FRIEDRICHSHAFEN

F 43308

## **Zf 3052 758 111 Bw1502 2002 Operating Instructions**

Full download: <http://manualplace.com/download/zf-3052-758-111-bw1502-2002-operating-instructions/>

**ZF Friedrichshafen AG**

**88038 Friedrichshafen**

**Telefon:**

**(07541) 77-0**

**Telefax:**

**(07541) 77-8000**