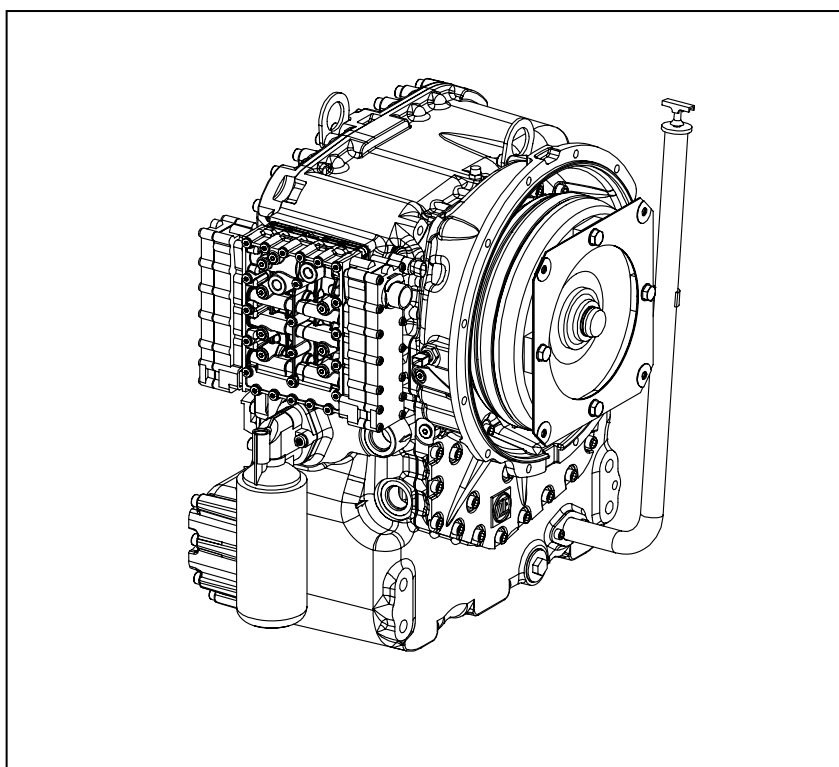




REPAIR INSTRUCTIONS 1-2

ZF – ERGOPOWER 3 WG 116-171



REFERENCE

For information concerning description, installation instructions, operation and maintenance, see respective Operating Instructions.

ZF Passau GmbH

Donaustr. 25 - 71
D - 94034 Passau

Abt.: ASTDM / Section : ASTDM

Nachdruck auch auszugsweise ohne die Genehmigung der ZF Passau GmbH nicht gestattet!

Copyright ZF Passau GmbH!

Copying even partially not permitted!

Reproduction même par extrait est interdite!

Technische Änderungen vorbehalten! With the reserve of technical modifications!

Sous réserve de modifications techniques!

1.Auflage / 1.Edition



PREFACE

This documentation has been developed for skilled staff trained by the ZF Passau for the repair and maintenance works on ZF-units.

Documented is a ZF-serial product representing the design state at the time of the edition.

However, due to further technical developments of the product, the repair of the unit at your disposal could require different steps as well as different adjustments and testing specifications.

Therefore, we recommend to commit your ZF-product to foremen and technicians whose practical and theoretical training is permanently updated in our after-sales service school.

The service stations established world-wide by the Zahnradfabrik Friedrichshafen are offering to you:

1. Continuously trained staff
2. Prescribed facilities, e.g. special tools
3. Genuine ZF-spare parts meeting the latest state of development

Here, all operations are carried out for you with utmost care and reliability.

Repairs carried out by ZF-service stations are covered by a respective warranty within the scope of the applicable contractual conditions.

Damage caused by improper or unskilled work carried out by others than ZF-staff as well as resulting consequential costs, if any, are excluded from this contractual liability.

This also applies, if the use of genuine ZF-spare parts is renounced.

ZF Passau GmbH

Off-Road Transmissions
and Axle Systems
Division