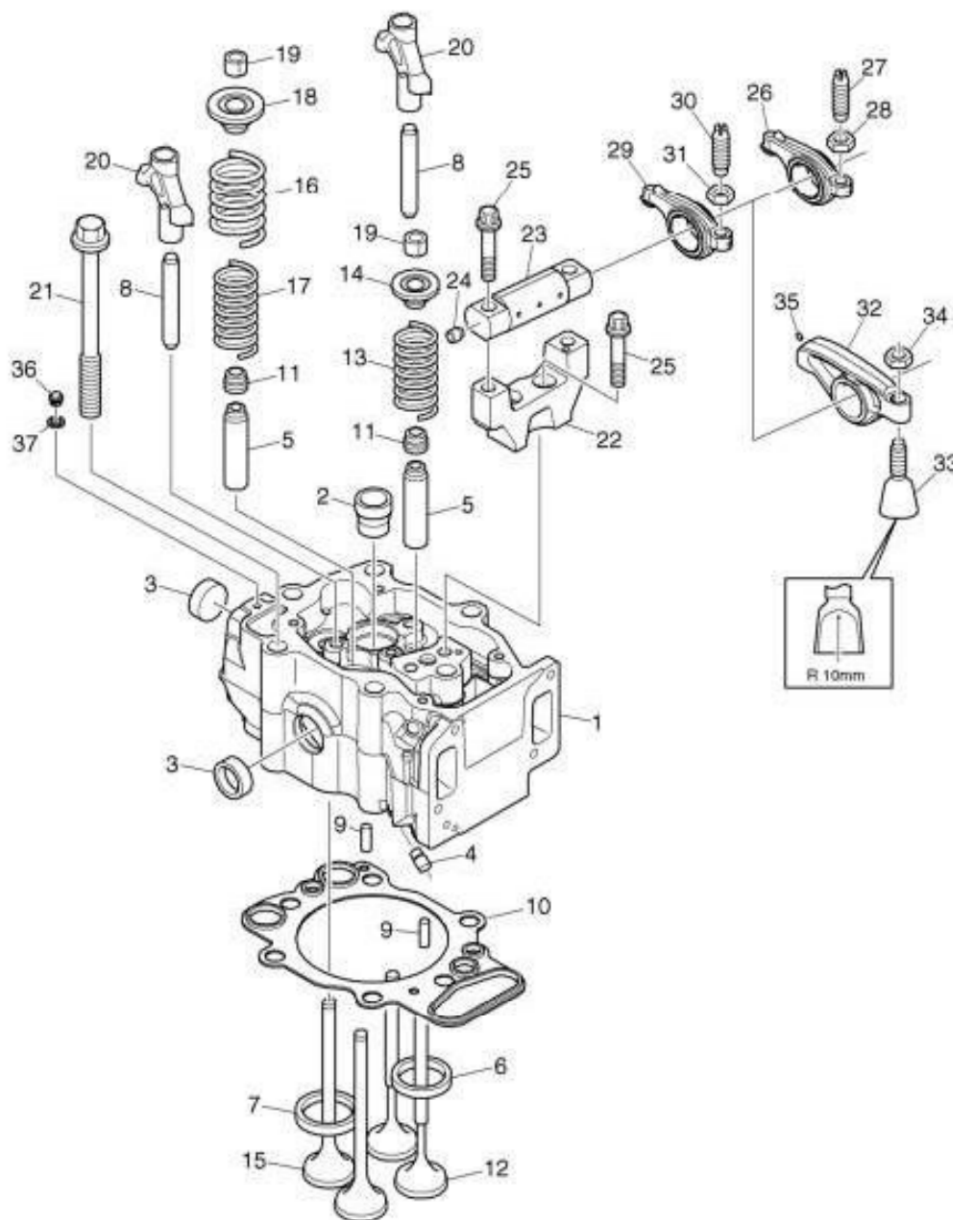




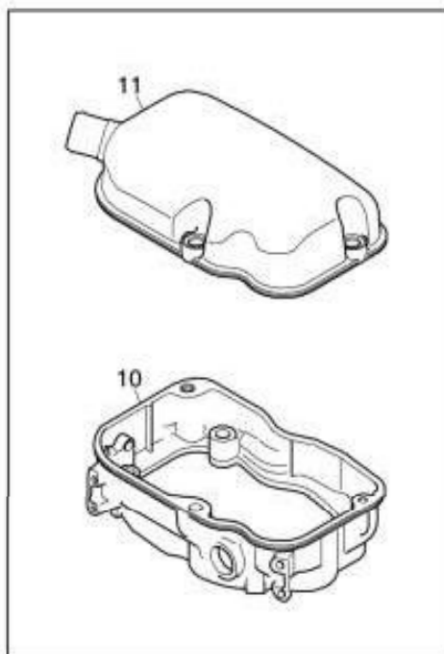
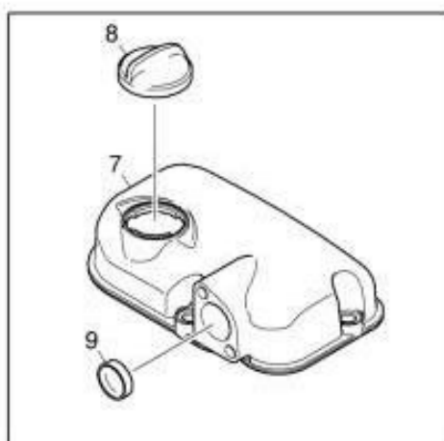
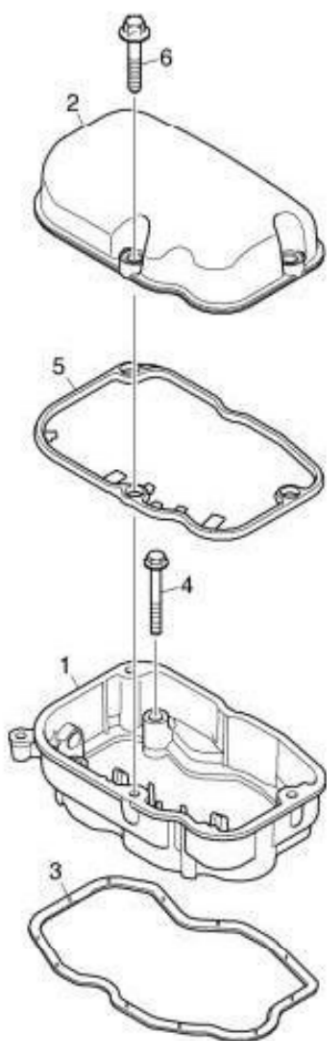
01-01-0009 Cylinder head, DC9A EMS



01-01-0009 Cylinder head, DC9A EMS

Pos.	Part no.	Remark	A	Description
1	1846123	X 1750995 Stage2/Tier2	1	Cylinder head
	570123	D9, D11, D12	1	Cylinder head
2	1365196		1	•Sleeve
3	1345683	ø 36 mm	2	•Core plug
4	1752972	ø 7 mm	3	•Rivet
5	1403823		4	•Valve guide
6	1510399	intake, std std, Stage2/Tier2	2	•Valve seat insert
	1510400	intake, osz osz, Stage2/Tier2	2	Valve seat insert
7	1805493	1403828 exhaust, std std	2	•Valve seat insert
	1805494	1403829 exhaust, osz osz	2	Valve seat insert
8	1798631	803509	2	Pin
9	803466	8x20	2	Pin
10	1468555		1	Cylinder head gasket
11	1328563		4	Seal
12	1785076	1477022	2	Intake valve
13	1519700		2	Valve spring
14	1305723	intake	2	Valve spring collar
15	1791152	1445830	2	Exhaust valve
16	1519702		2	Valve spring
17	1519701		2	Valve spring
18	1305724	exhaust	2	Valve spring collar
19	377338		8	Split collet
20	1846932	1793873	2	Valve bridge
21	1852442	1451946	6	Screw
22	1487541		1	Bearing bracket
23	1520439		1	Shaft
24	1436192	ø 6 mm	1	•Rivet plug
25	1487542		4	Tight-fit screw
26	1438752	intake	1	Rocker arm
27	1481810	M10	1	•Adjusting screw
28	394640	M10	1	•Hexagon nut
29	1438755	exhaust	1	Rocker arm
30	1481810	M10	1	•Adjusting screw
31	394640	M10	1	•Hexagon nut
32	1521889	injector	1	Rocker arm
33	1863494	1534642	1	•Adjusting screw
34	815115	M12	1	•Hexagon nut
35	1440963		1	•Rivet plug
36	812369	M8x1x6	1	Screw plug
37	1478427		1	Seal
	1725112	See reference 1/99/9	1	Gasket kit
				Cylinder head

01-01-0018 Rocker cover, DC9A EMS

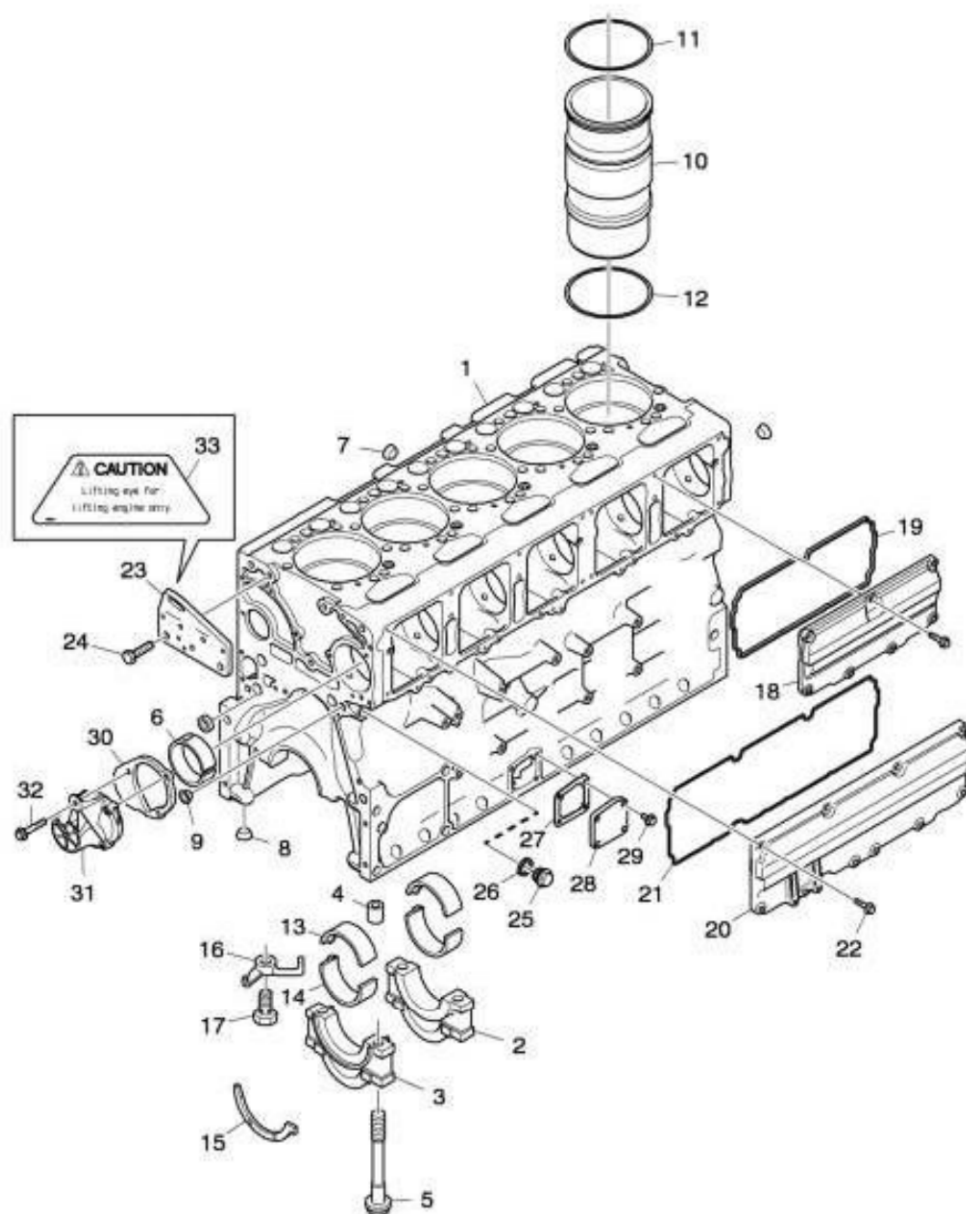


143957

01-01-0018 Rocker cover, DC9A EMS

Pos.	Part no.	Remark	A	Description
1	1503190	lo	4	Rocker cover
2	1491697	up	3	Rocker cover
3	1449542	lo	5	Rocker cover gasket
4	812523	M8x50	20	Flange screw
5	1505366	up	5	Rocker cover gasket
6	1422162		15	Flange screw
7	1884741	1721074	1	Rocker cover
7	1861831	option	1	Rocker cover
8	931106		1	Filler cap
9	1345682	ø 25 mm	1	Core plug
10	1519140	lo	1	Rocker cover
11	1797010	1517928	1	Rocker cover
	1725112	See reference 1/99/9	1	Gasket kit

01-05-1818 Cylinder block, DC9A EMS



CAUTION
Lifting eye for
lifting engine only

302156

01-05-1818 Cylinder block, DC9A EMS

Series no. EN 6386729- SSS
EN 8712470- SLA

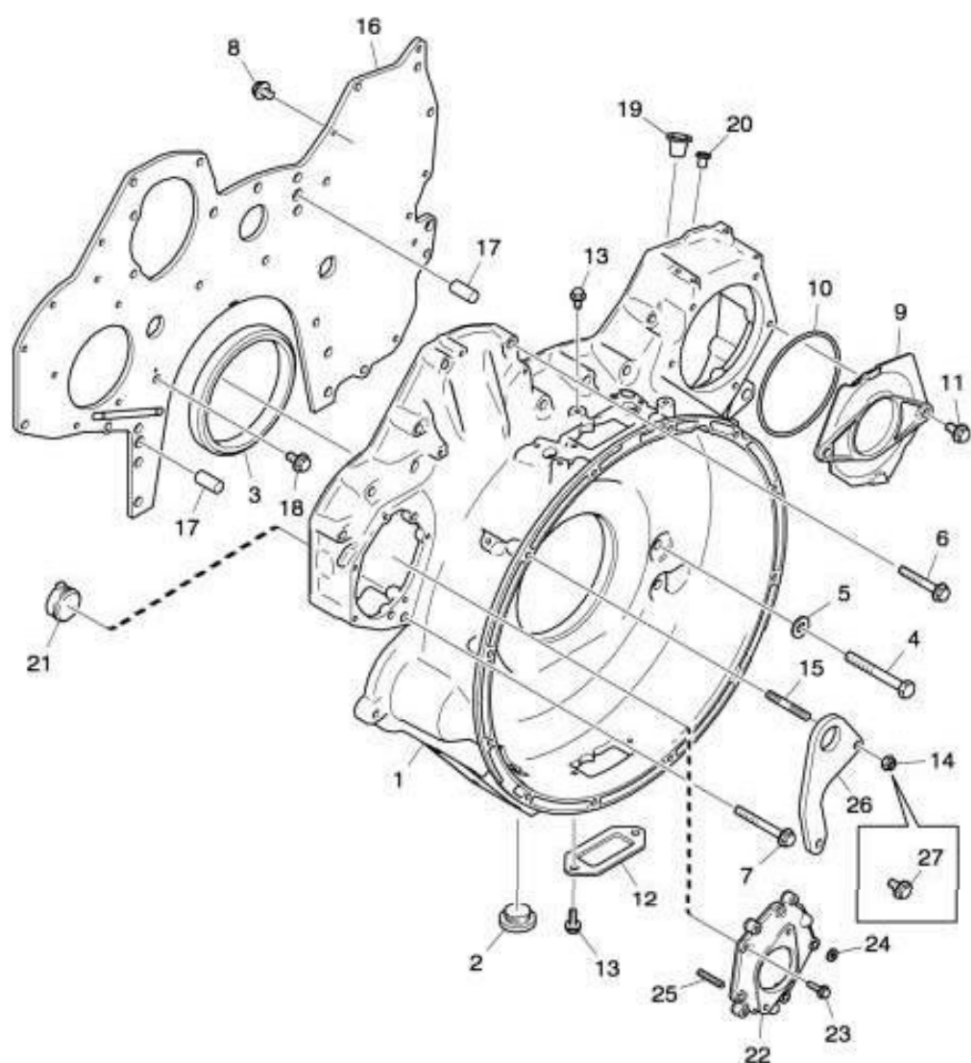
Pos.	Part no.	Remark	A	Description
1	1859438	1858295	1	Cylinder block
2		nss	5	•Bearing cap
3		nss	1	•Bearing cap
4	1858287		12	•Guide sleeve
5	1858292	M19x190	12	•Screw
6	1412298		6	•Bearing bush
7	1345683	ø 36 mm	2	•Core plug
8	1378301	ø 21 mm	6	•Core plug
9	1526483	ø 14 mm	1	•Core plug
10	1868159		5	Cylinder liner
11	1768938	ø 142.5x3.5 mm	5	O-ring
12	1730424	ø 148.5x4 mm	5	O-ring
3+14	1779130	STD	6	Bearing
	1777779	usz -0.25, assy	6	Bearing
	1777780	usz -0.50, assy	6	Bearing
	1777781	usz -0.75, assy	6	Bearing
	1777782	usz -1,00, assy	6	Bearing
15	1350815	STD	4	Thrust bearing
	1439892	osz +0.16	4	Thrust bearing
	1439893	osz +0.26	4	Thrust bearing
	1439894	osz +0.52	4	Thrust bearing
	1439895	osz +1.02	4	Thrust bearing
16	1526821		5	Piston cooling nozzle
17	1525387	M10	5	•Banjo screw
18	1835795		1	Side cover
19	1497061		1	Gasket
20	1508329		1	Side cover
21	1508331		1	Gasket
22	1402555	M8x30	17	Flange screw
23	1479472		1	Lifting eye
24	1368493	M12x30 EN 6325138- SSS	2	Flange screw
25	812374	M18x1.5x9	1	Screw plug
26	1373794		1	Sealing washer
27	1425173		1	Cover
28	1510331		1	Gasket
29	812516	M8x20	4	Flange screw



01-05-1818 Cylinder block, DC9A EMS

Pos.	Part no.	Remark	A	Description
30	1484309		1	Gasket
31	1479781		1	Cover
32	812521	M8x40	3	Flange screw
33	1860374		1	Warning plate

01-05-1811 Flywheel housing, timing gear plate, DC9A EMS



156104

01-05-1811 Flywheel housing, timing gear plate, DC9A EMS

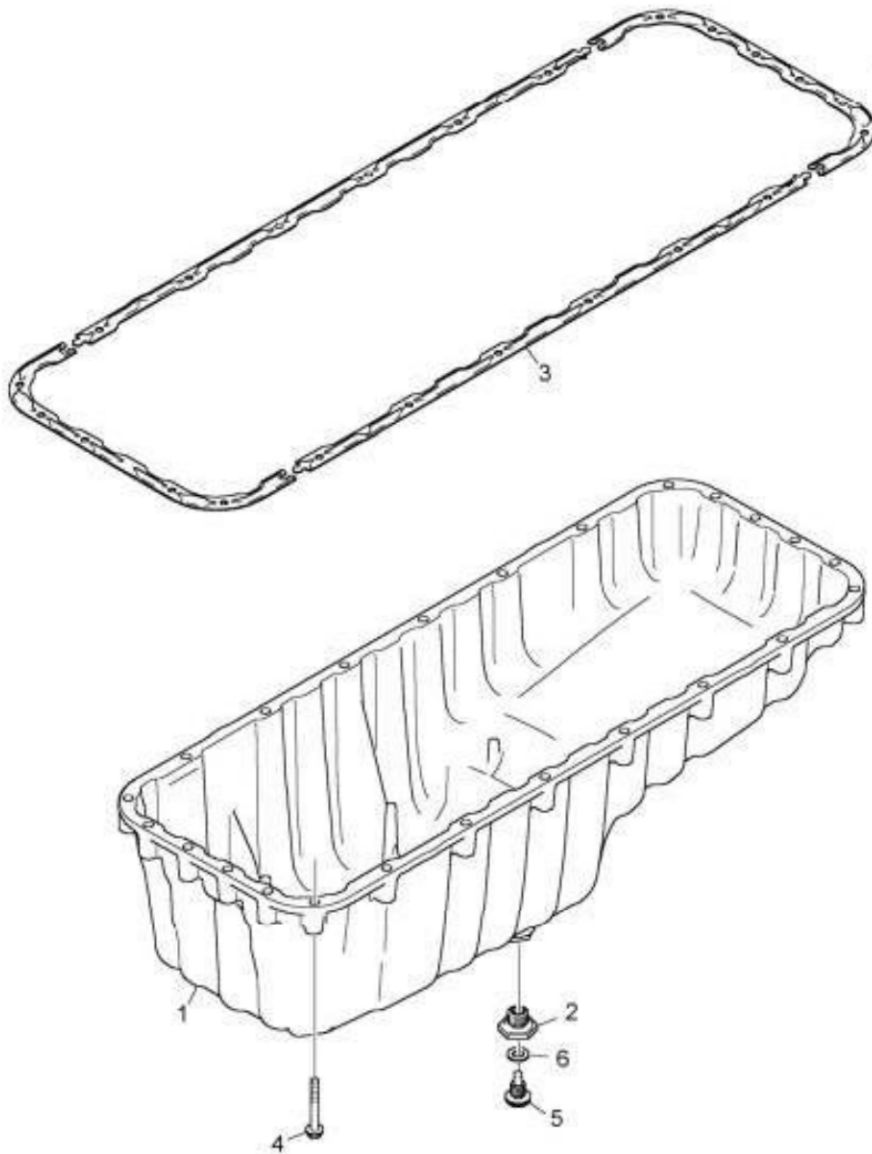
Series no.

EN 6338331- SSS

Pos.	Part no.	Remark	A	Description
1	1724541		1	Flywheel housing
	1429109		1	Plug
	804870	16,3X2,4	1	O-ring
	812989	M6x16	1	Self-tapping screw
2	1423446		2	Cover
3	1757903	ø185 mm	1	Seal
4	814898	M12x100 As Spare Parts	9	Hexagon screw
5	132248	13x28 As Spare Parts	9	Washer
6	812543	M10x60	12	Flange screw
7	812547	M10x80	1	Flange screw
7	1360987	M10x110	1	Flange screw
	815615	M10	1	Lock nut
8	812537	M10x30	6	Flange screw
	812540	M10x45	1	Flange screw
9	1725582	Engine without power take-off.	1	Cover
10	1437280	144,5x3 Engine without power take-off.	1	O-ring
11	812537	M10x30 Engine without power take-off.	2	Flange screw
12	16022		2	Cover
13	812516	M8x20	5	Flange screw
14	815133	M10	12	Flange nut
15	800610	M10x50	12	Stud
16	1548221		1	Timing gear plate
16	1867337		1	Timing gear plate
17	803579	16x35	2	Pin
18	1360986	M10x30	6	Flange screw
19	1480948	ø17	1	Protective cap
20	1480949	ø5	1	Protective cap
21	1448894	For automatic gearbox.	1	Plug
22		SAE A See reference 1/55/18		Bearing housing
23	1462318		5	Flange screw
24	802998	8.4x16x1.6	1	Washer
25	803490	10x25	2	Pin
26	1360442		2	Lifting eye
27	812537	M10x30 option	4	Flange screw



01-05-1807 Oil sump, DC9A EMS



134063