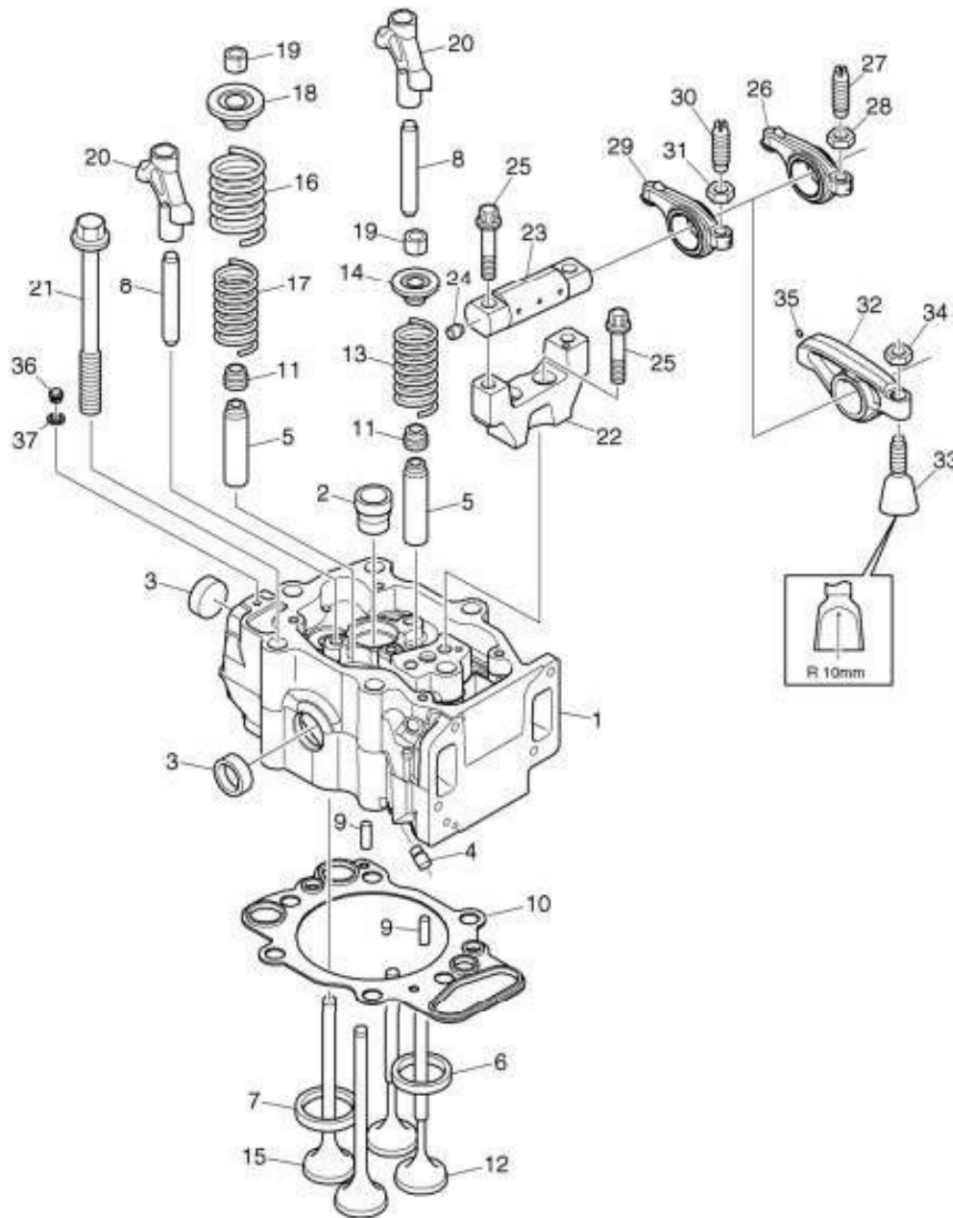




01-01-1693 Cylinder head, DC16 A

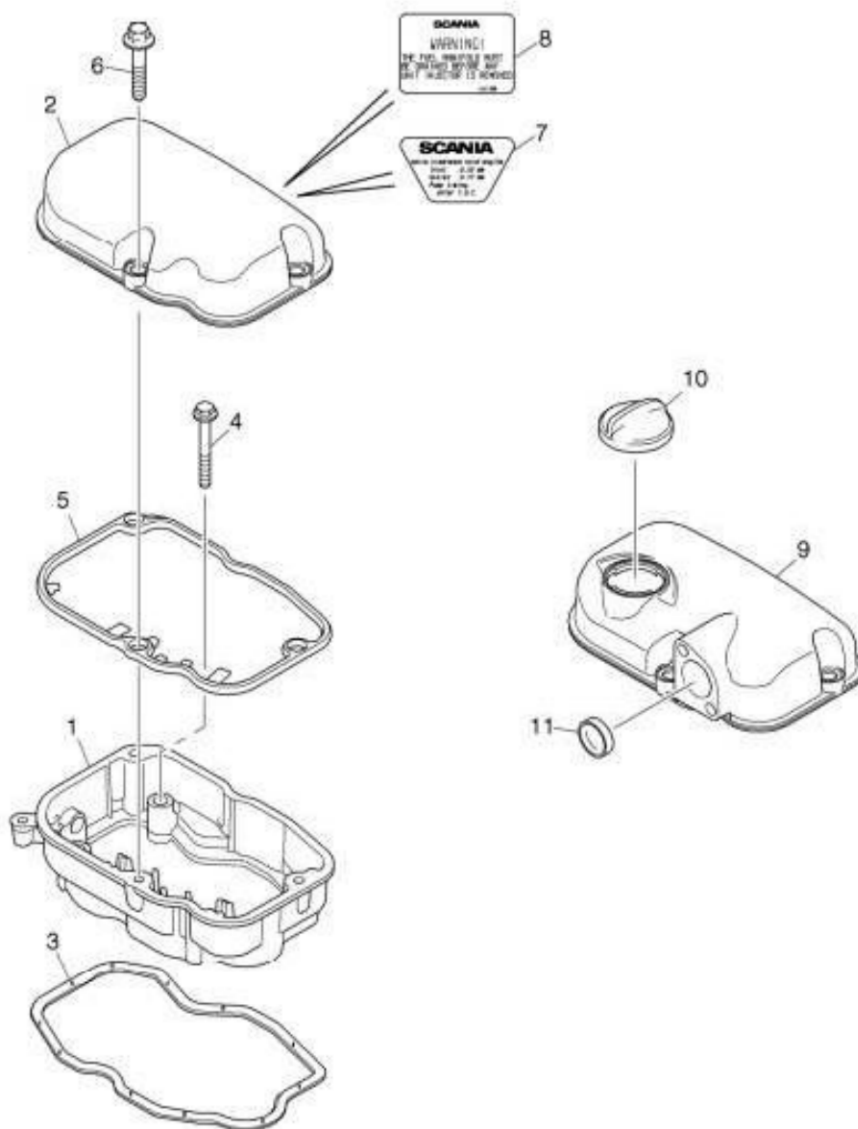


144676

01-01-1693 Cylinder head, DC16 A

Pos.	Part no.	Remark	A	Description
1	1846123	X 1750995	8	Cylinder head
	570123	D9, D11, D12	8	Cylinder head
	570123	D9, D11, D12	8	Cylinder head
2	1365196		8	•Sleeve
3	1345683	ø 36 mm	16	•Core plug
4	1436192	ø 6 mm	24	•Rivet plug
5	1403823		32	•Valve guide
6	1510399	intake, std	16	•Valve seat insert
	1510400	intake, osz	16	•Valve seat insert
7	1805493	1403828 exhaust, std	16	•Valve seat insert
	1805494	1403829 exhaust, osz	16	•Valve seat insert
8	1798631	803509	16	Pin
9	803466	8x20	16	Pin
10	1468555	K	8	Cylinder head gasket
11	1328563	K	32	Seal
12	1785076	1477022	16	Intake valve
13	1519700	1307117	16	Valve spring
14	1305723	intake	16	Valve spring collar
15	1791152	1445830	16	Exhaust valve
16	1519702	1307115	16	Valve spring
17	1519701	1307116	16	Valve spring
18	1305724	exhaust	16	Valve spring collar
19	377338		64	Split collet
20	1846932	1793873	16	Valve bridge
21	1852442	1451946	48	Screw
22	1487541	1364741	8	Bearing bracket
23	1501092	1439805	8	Shaft
24	1436192	ø 6 mm	8	•Rivet plug
25	1487542	1445924	16	Tight-fit screw
26	1438752	intake	8	Rocker arm
27	1481810	M10	8	•Adjusting screw
28	394640	M10	8	•Hexagon nut
29	1438755	exhaust	8	Rocker arm
30	1481810	M10	8	•Adjusting screw
31	394640	M10	8	•Hexagon nut
32	1521889	1465288 injector injector	8	Rocker arm
33	1863494	1534642	8	•Adjusting screw
34	815115	M12	8	•Hexagon nut
35		nsp,	8	•Rivet plug
36	812369	M8x1x6	8	Screw plug
37	1478427		8	Seal
	550469	See reference 1/99/1673		Gasket kit
	551387	See reference 1/99/1651		General overhaul kit

01-01-1673 Rocker cover, DC16 A



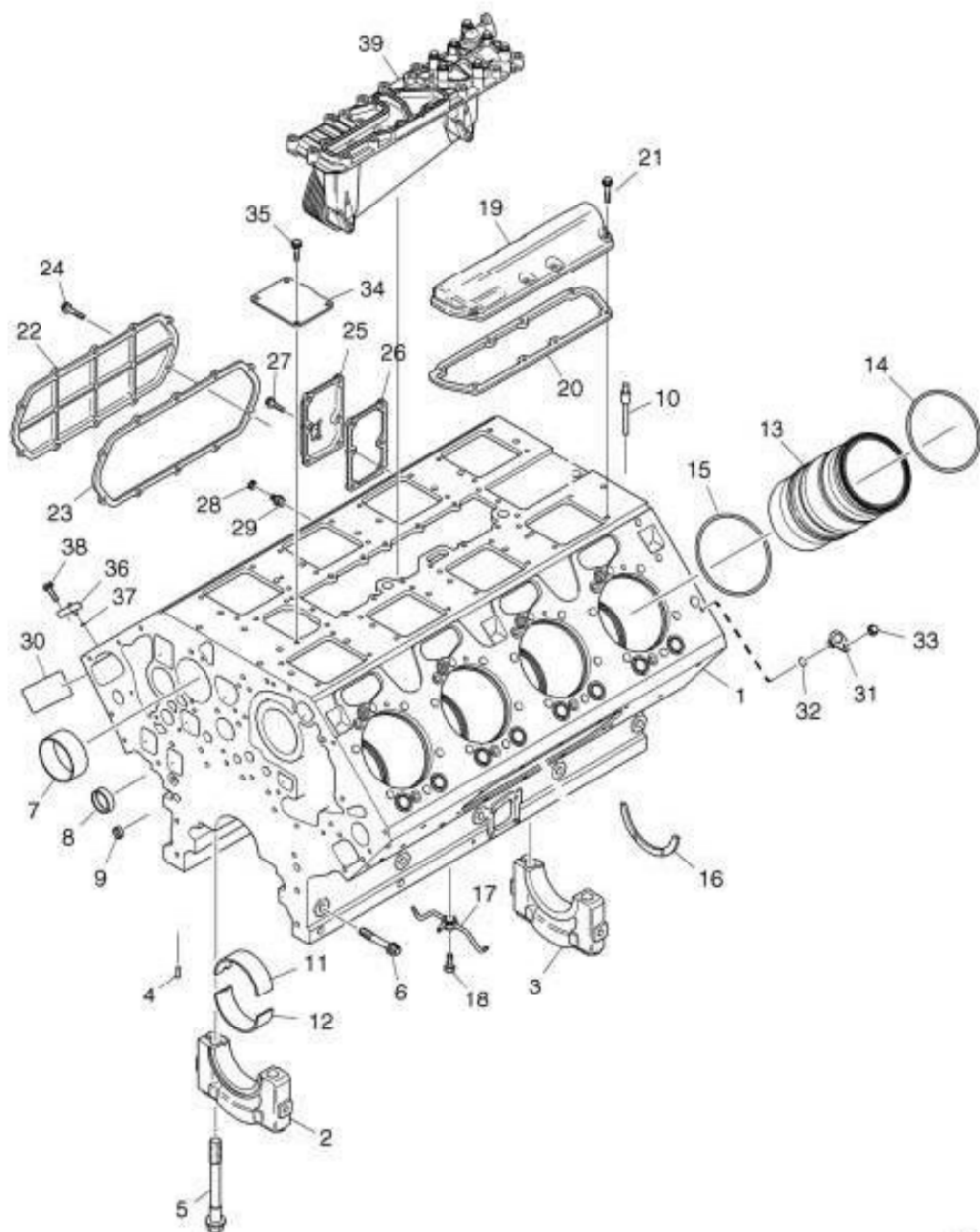
135047

01-01-1673 Rocker cover, DC16 A

Series no. EN 1034683- SSS

Pos.	Part no.	Remark	A	Description
1	1503190	lo	8	Rocker cover
2	1491697	up	7	Rocker cover
3	1449542	lo	8	Rocker cover gasket
4	812523	M8x50	32	Flange screw
5	1505366	up	8	Rocker cover gasket
6	1422162		24	Flange screw
7	1386347		1	Instruction plate
8	1792922	1411348	2	Plate
9	1884741	1721074	1	Rocker cover
9	1861831	option	1	Rocker cover
10	931106		1	Filler cap
11	1345682	346316 ø 25 mm	1	Core plug
	1725112	See reference 1/99/1679		Gasket kit
				Cylinder head

01-05-1695 Cylinder block, DC16 A



146154

01-05-1695 Cylinder block, DC16 A

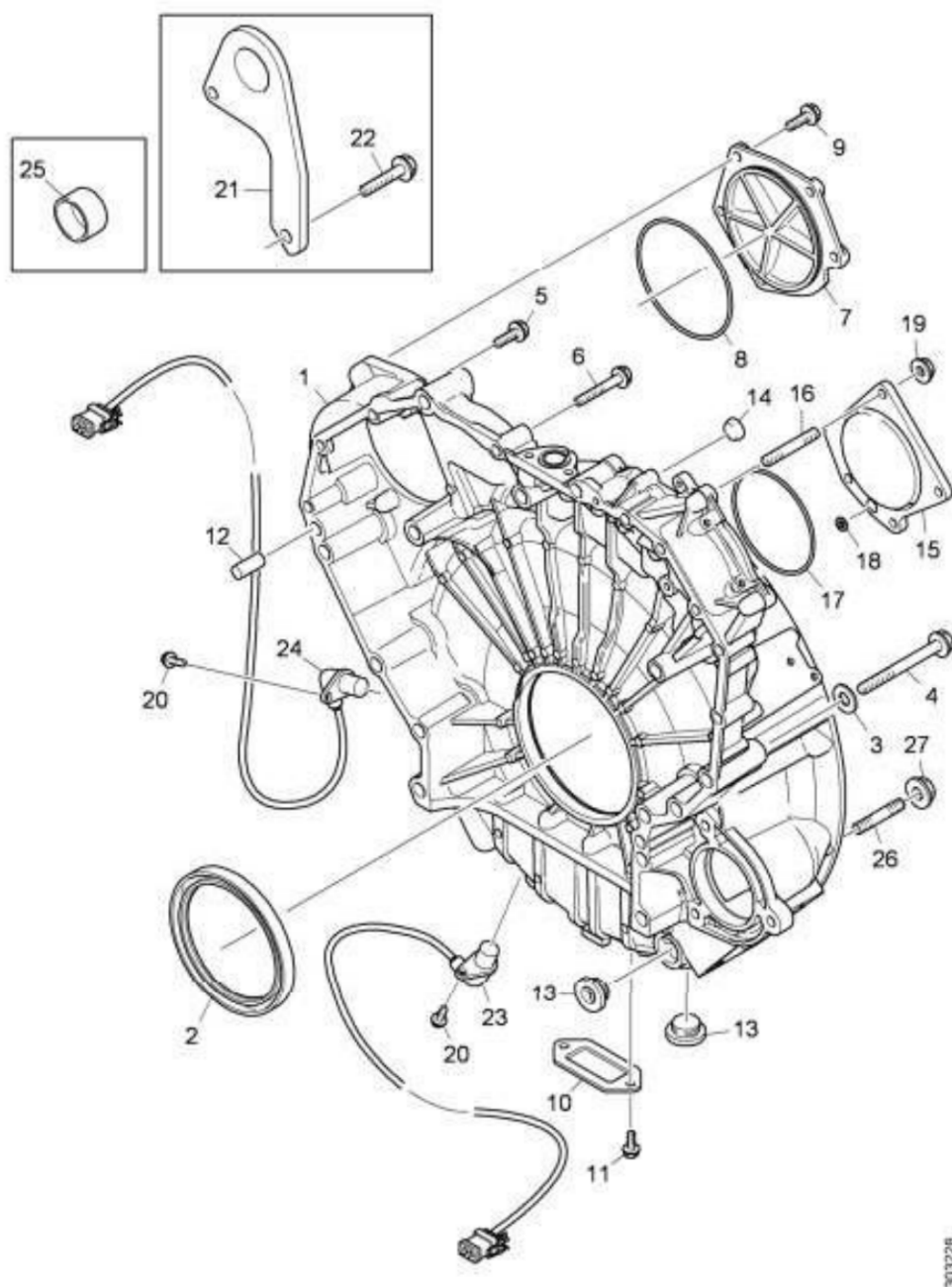
Series no. EN 1034938- SSS

Pos.	Part no.	Remark	A	Description
1	1759340		1	Cylinder block
2		nss,	4	•Bearing cap
3		nss, rear,	1	•Bearing cap
4	803466	8x20	5	•Pin
5	1441698	M20x170	10	•Screw
6	1413557	M14x80	10	•Screw
7	1423067		10	•Bearing bush
8	1378301	ø 21 mm	1	•Core plug
9	1424452	ø 45 mm	4	•Core plug
10	1436193		1	•Rivet plug
1+12	1779130	STD	5	Bearing
	1777779	1465337 usz -0.25, assy	5	Bearing
	1777780	1465338 usz -0.50, assy	5	Bearing
	1777781	1465339 usz -0.75, assy	5	Bearing
	1777782	1465340 usz -1,00, assy	5	Bearing
13	1868157	K 1484492	8	Cylinder liner
14	1862376	K 1433063	8	O-ring
15	1328995	K ø 147.5x4 mm	8	O-ring
16	1350815	STD	2	Thrust bearing
	1439892	osz +0.16	2	Thrust bearing
	1439893	osz +0.26	2	Thrust bearing
	1439894	osz +0.52	2	Thrust bearing
	1439895	osz +1.02	2	Thrust bearing
17	1444214		4	Piston cooling nozzle
18	339840	M10x1	4	Banjo screw
19	1423521		4	Cover
20	1446214	K	4	Gasket
21	812521	M8x40	32	Flange screw
22	1545741		2	Cover
23	1375383	K	2	Gasket
24	812521	M8x40	20	Flange screw
25	1472118		1	Cover
26	1446215	K	1	Gasket
27	812519	M8x30	6	Flange screw
28	1350362		3	Protection sleeve
29	1745705		3	Union
30	1859198	1854197	1	Plate
31	1732602	When there is no compressor.	1	Plug
32	1413934	K When there is no compressor.	1	O-ring
33	812515	M8x16 When there is no compressor.	1	Flange screw

01-05-1695 Cylinder block, DC16 A

Pos.	Part no.	Remark	A	Description
34	1467942		1	Cover
35	812519	M8x30	4	Flange screw
36	1467944		1	Cover
37	1720693 K		1	O-ring
38	812519	M8x30	1	Flange screw
39		See reference 1/20/1658		Oil cooler
				Engine
	551349	See reference 1/99/1692		Repair kit
	551387	See reference 1/99/1651		General overhaul kit

01-05-1619 Flywheel housing, DC16 A, silumin



303228

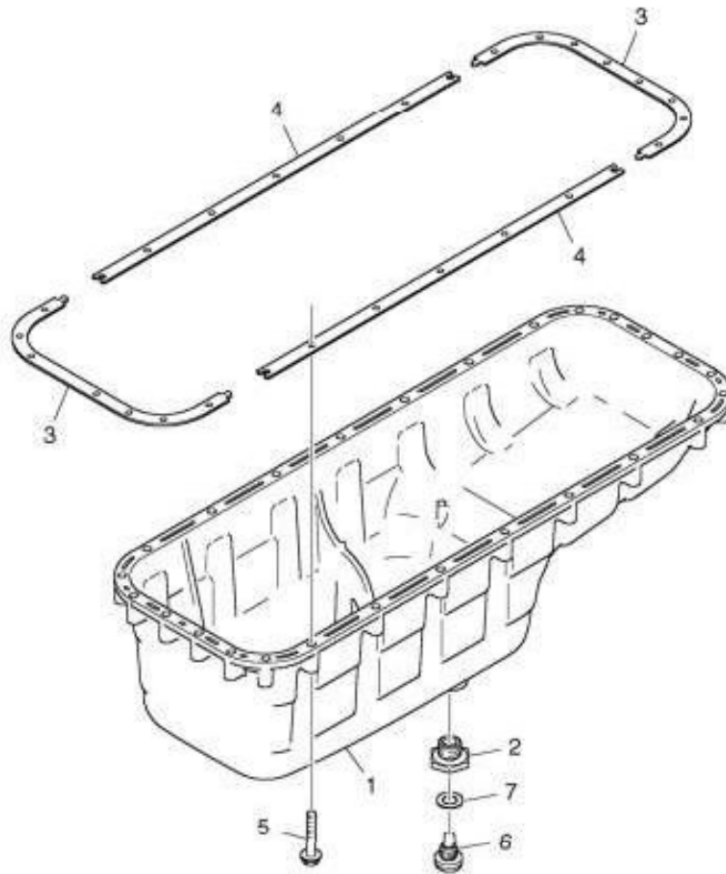
01-05-1619 Flywheel housing, DC16 A, silumin

Series no. EN 1067700-1069310 SSS

Pos.	Part no.	Remark	A	Description
1	1891529		1	Flywheel housing
	812317	ø 18 mm	2	•Plug
	1436192	ø 6 mm	1	•Rivet plug
2	1757903	ø185 mm	1	Seal
3	132248	13x28	11	Washer
4	814898	M12x100	11	Hexagon screw
5	812543	M10x60	6	Flange screw
6	812537	M10x30	3	Flange screw
7	1725582	Engine without power take-off.	1	Cover
8	1437280	144,5x3	1	•O-ring
9	812537	M10x30	2	Flange screw
10	16022		1	Cover
11	812516	M8x20	2	Flange screw
12	803579	16x35	2	Pin
13	1423446		2	Cover
14	237903	ø 21 mm	1	Core plug
15	1519110	When there is no compressor.	1	Cover
16	1351681	When there is no compressor.	4	Stud
17	323790	ø 114,5x3 When there is no compressor.	1	O-ring
18	345083	When there is no compressor.	1	Sealing ring
19	815133	M10 When there is no compressor.	4	Flange nut
20	812989	M6x16	2	Self-tapping screw
21	1360442		2	Lifting eye
22	812537	M10x30	4	Flange screw
23		See reference 16/45		Rotational speed sensor
24		See reference 16/45		Rotational speed sensor
25	812317	ø 18 mm	1	Plug
26	800614	M10x60	12	Stud
27	815615	M10	12	Lock nut
	816064		rq	Silicone paste



01-05-1646 Oil sump, DC16 A



127243