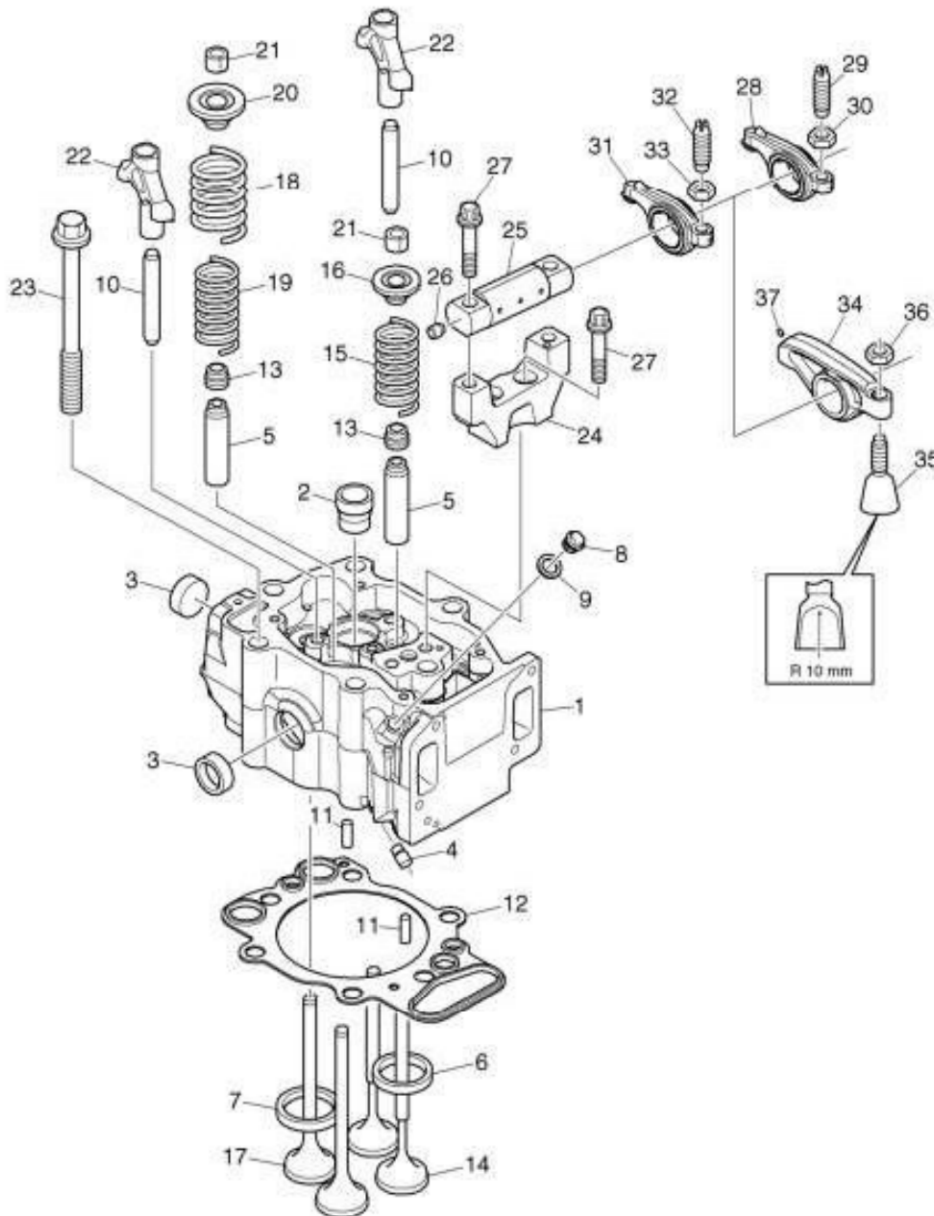




01-01-2293 Cylinder head, D12A EMS

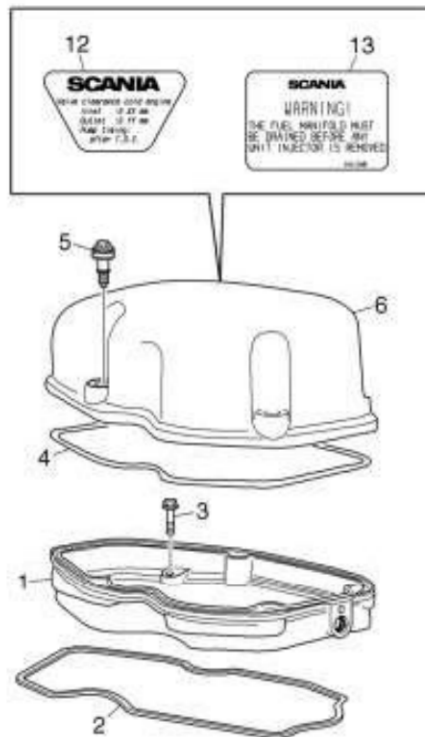
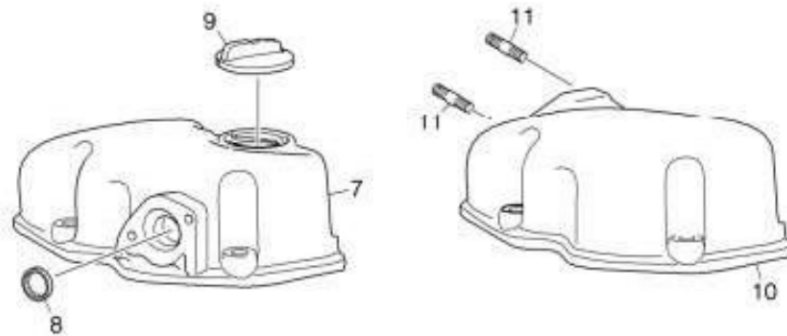


144697

**01-01-2293 Cylinder head, D12A EMS**

| Pos. | Part no. | Remark                    | A  | Description          |
|------|----------|---------------------------|----|----------------------|
| 1    | 1846125  | X 1743124                 | 6  | Cylinder head        |
|      | 570073   |                           | 6  | Cylinder head        |
| 2    | 1365196  |                           | 6  | •Sleeve              |
| 3    | 1345683  | ø 36 mm                   | 12 | •Core plug           |
| 4    | 1436192  | ø 6 mm                    | 12 | •Rivet plug          |
| 5    | 1403823  |                           | 24 | •Valve guide         |
| 6    | 1510399  | intake, std               | 12 | •Valve seat insert   |
|      | 1510400  | intake, osz               | 12 | Valve seat insert    |
| 7    | 1805493  | 1403828 exhaust, std std, | 12 | •Valve seat insert   |
|      | 1805494  | 1403829 exhaust, osz osz, | 12 | Valve seat insert    |
| 8    | 812371   | M12x1.5x9                 | 6  | •Screw plug          |
| 9    | 1373791  |                           | 6  | •Sealing washer      |
| 10   | 1798631  | 803509                    | 12 | Pin                  |
| 11   | 803466   | 8x20                      | 12 | Pin                  |
| 12   | 1468555  |                           | 6  | Cylinder head gasket |
| 13   | 1328563  | K                         | 24 | Seal                 |
| 14   | 1785076  | 1477022                   | 12 | Intake valve         |
| 15   | 1519700  | 1307117                   | 12 | Valve spring         |
| 16   | 1305723  | intake                    | 12 | Valve spring collar  |
| 17   | 1791152  | 1445830                   | 12 | Exhaust valve        |
| 18   | 1519702  | 1307115                   | 12 | Valve spring         |
| 19   | 1519701  | 1307116                   | 12 | Valve spring         |
| 20   | 1305724  | exhaust                   | 12 | Valve spring collar  |
| 21   | 377338   |                           | 48 | Split collet         |
| 22   | 1846932  | 1793873                   | 12 | Valve bridge         |
| 23   | 1852442  | 1451946                   | 36 | Screw                |
| 24   | 1487541  |                           | 6  | Bearing bracket      |
| 25   | 1520439  |                           | 6  | Shaft                |
| 26   | 1436192  | ø 6 mm                    | 6  | •Rivet plug          |
| 27   | 1487542  |                           | 12 | Tight-fit screw      |
| 28   | 1438752  | intake                    | 6  | Rocker arm           |
| 29   | 1481810  | 1408646 M10               | 6  | •Adjusting screw     |
| 30   | 394640   | M10                       | 6  | •Hexagon nut         |
| 31   | 1438755  | exhaust                   | 6  | Rocker arm           |
| 32   | 1375882  | M10                       | 6  | •Adjusting screw     |
| 33   | 394642   | M10                       | 6  | •Hexagon nut         |
| 34   | 1521889  | 1465288 injector          | 6  | Rocker arm           |
| 35   | 1863494  | 1534642                   | 6  | •Adjusting screw     |
| 36   | 815115   | M12                       | 6  | •Hexagon nut         |
| 37   |          | nsp,                      | 6  | •Rivet plug          |
|      | 550469   | See reference 1/99/382    | 6  | Gasket kit           |
|      |          |                           |    | Cylinder head        |

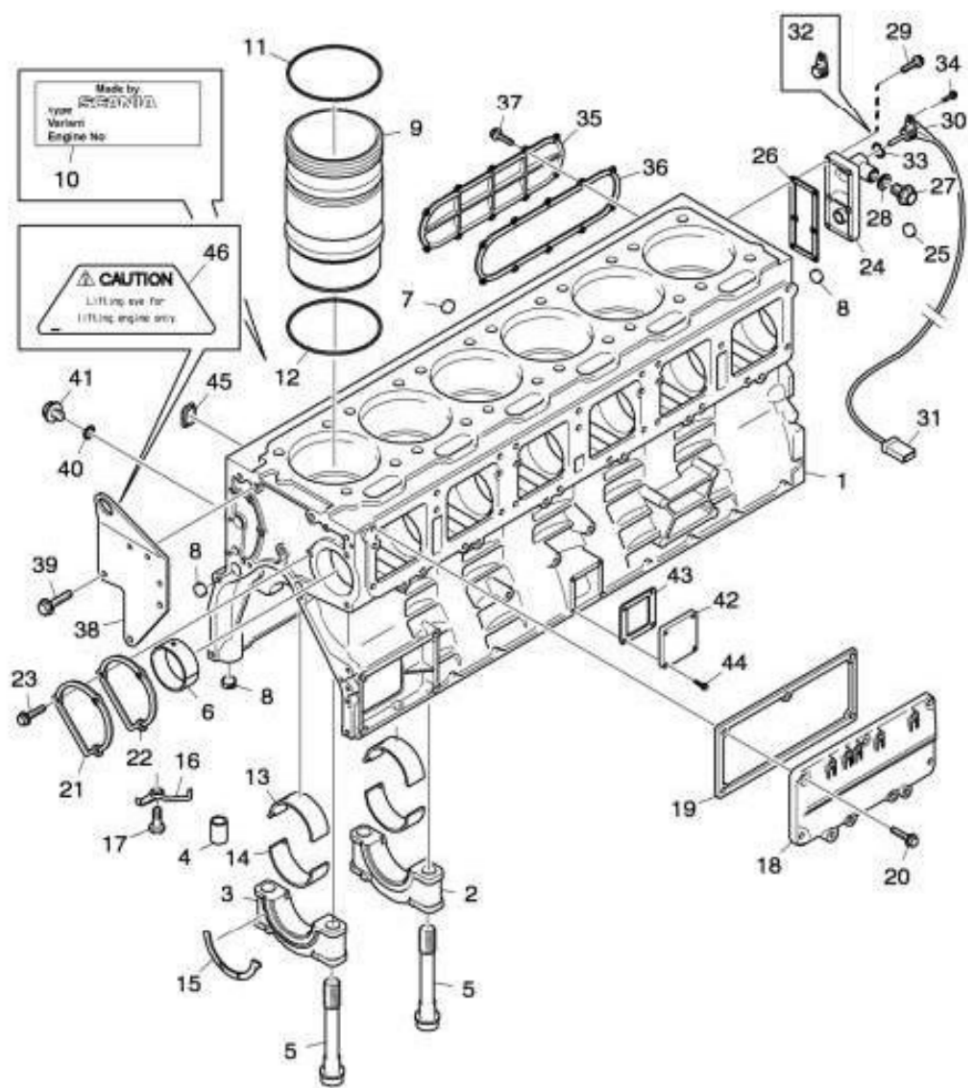
01-01-0021 Rocker cover, D12A EMS



141815



01-05-0147 Cylinder block, DC12 46A/47A/48A, D12A EMS



302155

**01-05-0147 Cylinder block, DC12 46A/47A/48A, D12A EMS**

Series no. EN 6519871- SSS  
EN 8712470- SLA

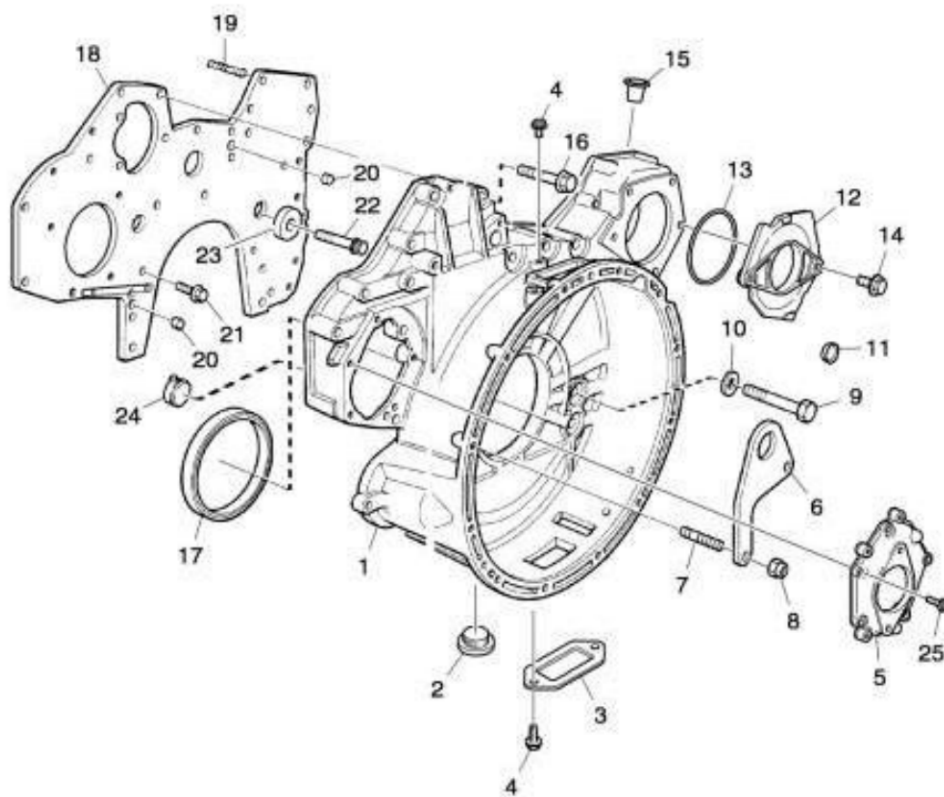
| Pos. | Part no. | Remark                                   | A  | Description           |
|------|----------|--|----|-----------------------|
| 1    | 1859436  | 1858293                                  | 1  | Cylinder block        |
| 2    |          | nss                                      | 6  | •Bearing cap          |
| 3    |          | nss                                      | 1  | •Bearing cap          |
| 4    | 1858287  |  | 14 | •Guide sleeve         |
| 5    | 1858292  | M19x190                                  | 14 | •Screw                |
| 6    | 1412298  |  | 7  | •Bearing bush         |
| 7    | 1345683  | ø 36 mm                                  | 2  | •Core plug            |
| 8    | 1378301  | ø 21 mm                                  | 6  | •Core plug            |
| 9    | 1868159  |  | 6  | Cylinder liner        |
| 10   | 1859198  |  | 1  | Plate                 |
| 11   | 1768938  | ø 142.5x3.5 mm                           | 6  | O-ring                |
| 12   | 1730424  | ø 148.5x4 mm                             | 6  | O-ring                |
| 3+14 | 1779130  | STD Included in cylinder block assembly. | 7  | Bearing               |
|      | 1777779  | usz -0.25, assy                          | 7  | Bearing               |
|      | 1777780  | usz -0.50, assy                          | 7  | Bearing               |
|      | 1777781  | usz -0.75, assy                          | 7  | Bearing               |
|      | 1777782  | usz -1.00, assy                          | 7  | Bearing               |
| 15   | 1350815  | STD                                      | 2  | Thrust bearing        |
|      | 1439892  | osz +0.16                                | 2  | Thrust bearing        |
|      | 1439893  | osz +0.26                                | 2  | Thrust bearing        |
|      | 1439894  | osz +0.52                                | 2  | Thrust bearing        |
|      | 1439895  | osz +1.02                                | 2  | Thrust bearing        |
| 16   | 1526821  |  | 6  | Piston cooling nozzle |
| 17   | 1525387  | M10                                      | 1  | •Banjo screw          |
| 18   | 1420745  |  | 3  | Side cover            |
|      | 1420745  | PDE ou                                   | 2  | Side cover            |
|      | 1835795  | PDE ctr                                  | 1  | Side cover            |
| 19   | 1497061  |  | 3  | Gasket                |
| 20   | 1402555  | M8x30                                    | 21 | Flange screw          |
| 21   | 1376454  |  | 1  | Cover                 |
| 22   | 1375387  |  | 1  | Gasket                |
| 23   | 812516   | M8x20                                    | 3  | Flange screw          |
| 24   | 1413932  |  | 1  | Flange pipe           |
| 25   | 1404765  |  | 1  | Core plug             |
| 26   | 1374325  |  | 1  | Gasket                |
| 27   | 812376   | M22x1.5x9                                | 1  | Screw plug            |
| 28   | 1374839  |  | 1  | Sealing washer        |
| 29   | 812516   | M8x20                                    | 6  | Flange screw          |
| 30   | 1865317  | assy,                                    | 1  | Temperature sensor    |
|      |          | nss, D12A PDE See reference 16/45/1200   | 1  | Temperature sensor    |
|      |          | terminal marked 10                       |    |                       |
| 31   | 1383575  |  | 1  | •Contact housing      |



01-05-0147 Cylinder block, DC12 46A/47A/48A, D12A EMS

| Pos. | Part no. | Remark   | A  | Description                  |
|------|----------|----------|----|------------------------------|
|      | 1347492  | 2-pol    | 1  | •Wedge lock                  |
|      | 1361118  |          | 2  | •Cable terminal round socket |
| 32   | 1347329  |          | 1  | Plug                         |
| 33   | 393187   | 11.3x2.4 | 1  | O-ring                       |
| 34   | 812989   | M6x16    | 1  | Self-tapping screw           |
| 35   | 1545741  |          | 1  | Cover                        |
| 36   | 1375383  |          | 1  | Gasket                       |
| 37   | 812521   | M8x40    | 10 | Flange screw                 |
| 38   | 1403797  |          | 1  | Lifting eye                  |
| 39   | 1368493  | M12x30   | 3  | Flange screw                 |
| 40   | 1373790  |          | 1  | Sealing washer               |
| 41   | 812513   | M8x12    | 1  | Flange screw                 |
| 42   | 1425173  |          | 1  | Cover                        |
| 43   | 1510331  |          | 1  | Gasket                       |
| 44   | 812516   | M8x20    | 4  | Flange screw                 |
| 45   | 1881922  |          | 1  | Cover                        |
| 46   | 1860374  |          | 1  | Warning plate                |

## 01-05-0031 Flywheel housing, timing gear plate, D12A EMS



300052



**01-05-0031 Flywheel housing, timing gear plate, D12A EMS**

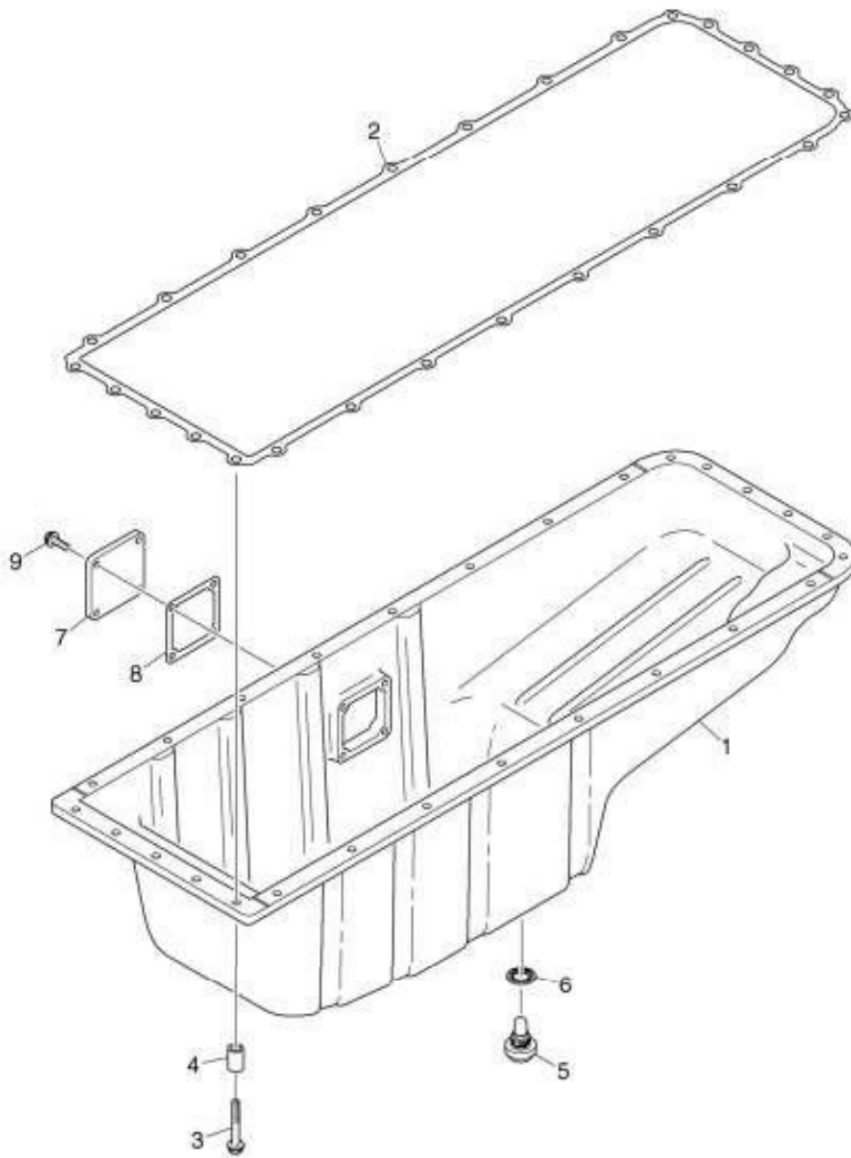
Series no.

EN 6517507- SSS

| Pos. | Part no. | Remark  | A  | Description       |
|------|----------|---|----|-------------------|
| 1    | 1724541  |   | 1  | Flywheel housing  |
|      | 348380   |   | 6  | •Thread insert    |
| 2    | 1423446  |   | 2  | Cover             |
| 3    | 1779895  |   | 1  | Cover             |
| 4    | 812516   | M8x20   | 5  | Flange screw      |
| 5    | 1519675  | without air compressor When there is no compressor.       | 1  | Flange            |
|      | 1344913  | ø70 without air compressor When there is no compressor.   | 1  | Core plug         |
| 6    | 1360442  |   | 2  | Lifting eye       |
| 7    | 800614   | M10x60  | 12 | Stud              |
| 8    | 815615   | M10   | 12 | Lock nut          |
|      | 815133   | M10 alt.  | 12 | Flange nut        |
| 9    | 814898   | M12x100   | 9  | Hexagon screw     |
| 10   | 132248   | 13x28   | 9  | Washer            |
| 11   | 237903   | ø 21 mm   | 1  | Core plug         |
| 12   | 1725582  | Engine without power take-off.                            | 1  | Cover             |
| 13   | 1437280  | 144,5x3 Engine without power take-off.                    | 1  | •O-ring           |
| 14   | 812537   | M10x30 Engine without power take-off.                     | 2  | Flange screw      |
| 15   | 1480948  | ø17   | 2  | Protective cap    |
| 16   | 812537   | M10x30  | 6  | Flange screw      |
| 17   | 1757903  | ø185 mm   | 1  | Seal              |
| 18   | 1548221  | EN -6521052 SSS   | 1  | Timing gear plate |
|      | 812547   | M10x80 EN -6521052 SSS                                    | 1  | Flange screw      |
| 19   | 1530450  |   | 10 | Stud              |
| 20   | 803579   | 16x35   | 2  | Pin               |
| 21   | 1360986  | M10x30  | 6  | Flange screw      |
| 22   | 1401737  | M18x80  | 1  | Flange screw      |
| 23   | 1401738  |   | 1  | Washer            |
| 24   | 1448894  |   | 1  | Plug              |
| 25   | 812518   | M8x25 without air compressor When there is no compressor. | 5  | Flange screw      |



01-05-1299 Oil sump, D12A/M



138754