

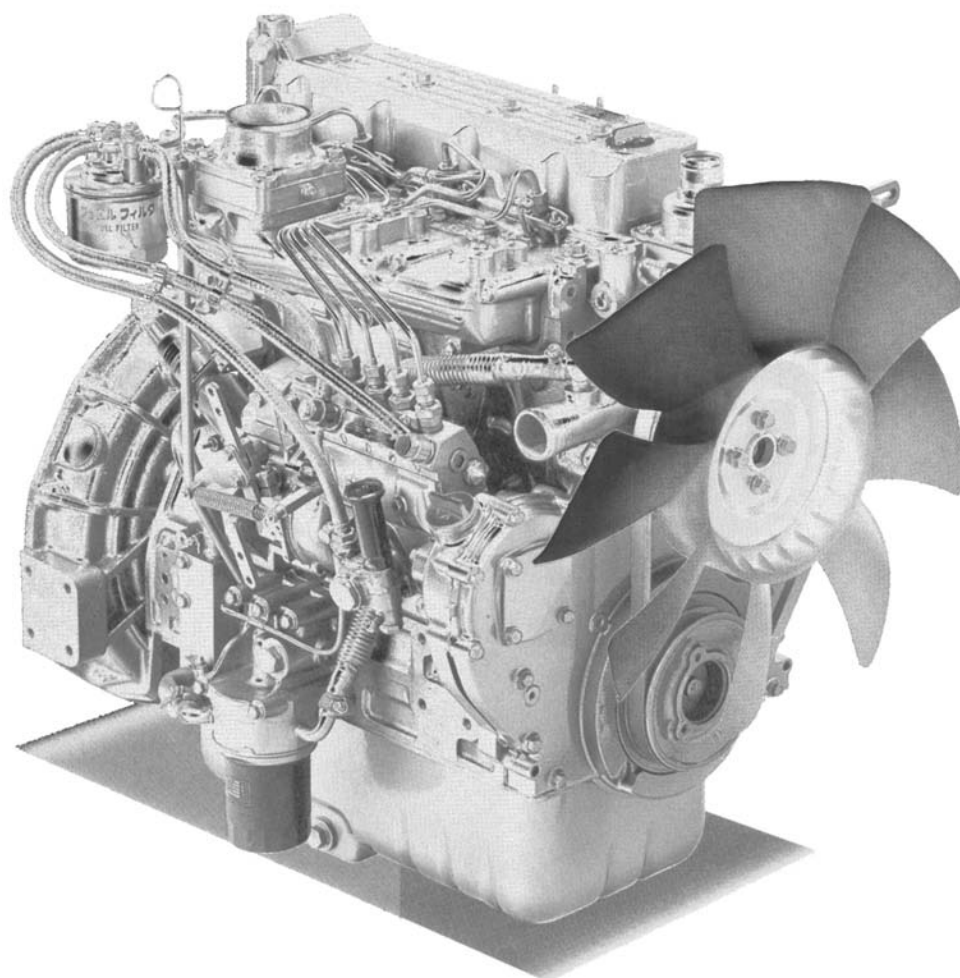
Yanmar

4TNE106-GE

and

4TNE106T-GE

Form No. 908293



Engine Service Parts Manual

Introduction

This manual covers service parts for the Yanmar 4TNE106-GE (natural aspirated (NA)) and 4TNE106T-GE (turbo) engines. When ordering service parts, specify the correct part number, full description, quantity required and the engine model number and serial number (located on a plate on the valve mechanical cover).

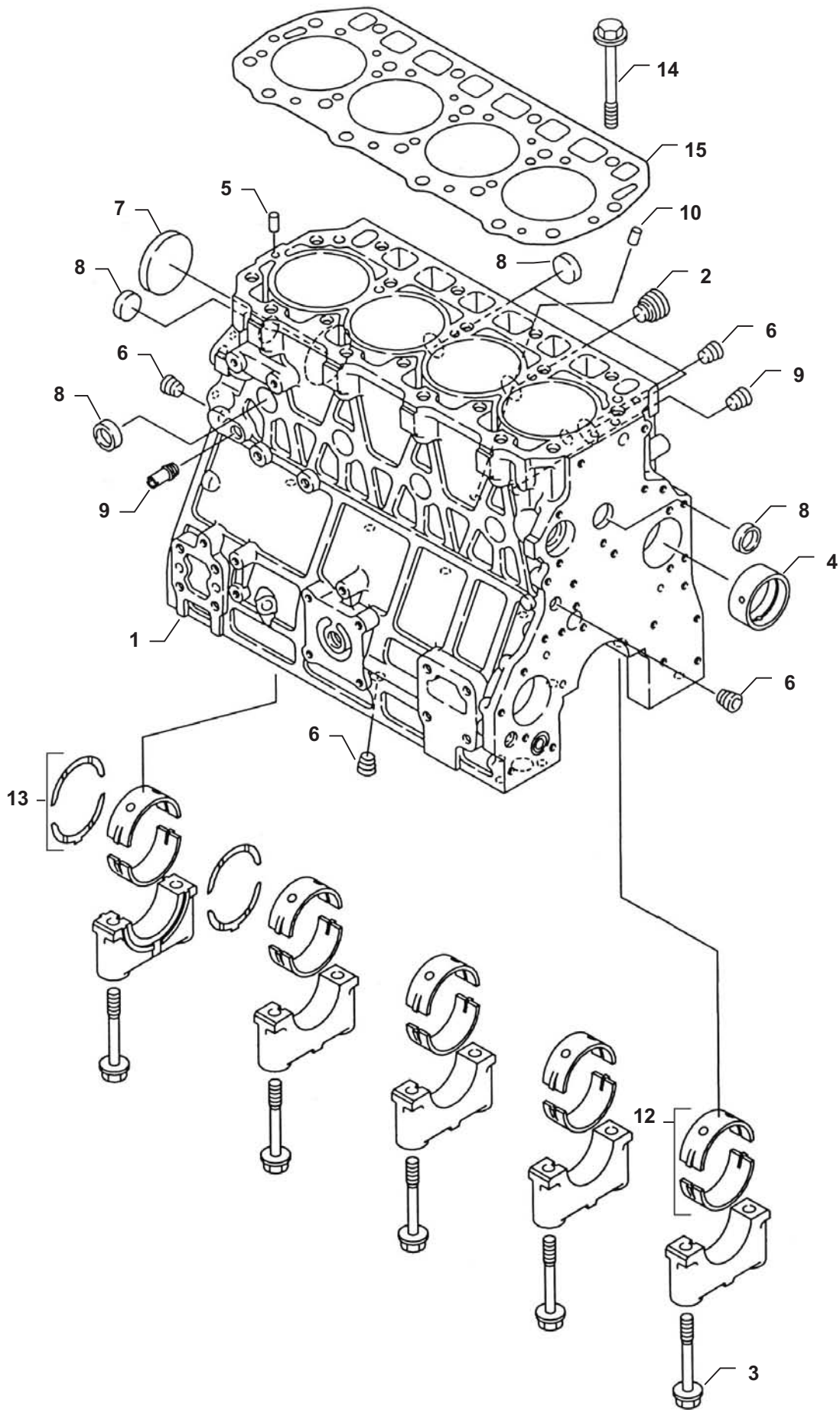
Items shown that do not have a part number are shown for reference purposes only and are not available for purchase.

Gehl ® Company and Mustang Manufacturing, Inc. reserve the right to make changes or improvements in the design or construction of any part of the unit without incurring the obligation to install such changes on any previously delivered units.

Table Of Contents

ALTERNATOR	39
CAMSHAFT & DRIVING GEAR	17
COOLING WATER SYSTEM.	27
CRANKSHAFT & PISTON	19
CYLINDER BLOCK	1
CYLINDER HEAD & VALVE COVER	7
ENGINE STOP DEVICE	35
EXHAUST MANIFOLD & SILENCER	13
FLYWHEEL HOUSING & OIL PAN	5
FUEL INJECTION PUMP	29
FUEL INJECTOR	31
FUEL LINE.	33
GASKET SET	41
GEAR HOUSING	3
LUBRICATION OIL LINE	23
LUBRICATION OIL SYSTEM.	21
STARTER	37
SUCTION MANIFOLD.	9

CYLINDER BLOCK



Ref No.	Part No.	Description	Quantity
1	138149	BLOCK ASSY / CYLINDER (INCLUDES ITEMS #2-13)	1
2	425-34722	PLUG	1
3	137972	BOLT / CAP MAIN-BEARING	10
4	137974	BUSHING	1
5	425-34783	SPRING PIN	2
6	138123	PLUG NPT 3/8 STEEL	4
7	138146	PLUG 70	1
8	138147	PLUG 30	8
9	138123	PLUG NPT 3/8 STEEL	1
10	138145	PLUG 12 - 16	1
11	137960	JOINT / PIPE	1
12	137975	BEARING / ASSY MAIN	5
	137973	BEARING / MAIN UNDERSIZED=0.25MM	5
13	137976	BEARING / ASSY THRUST	2
	137977	BEARING / THRUST OVERSIZED=0.25MM	2
14	137933	BOLT / CYLINDER HEAD	18
15	137965	GASKET / HEAD	1