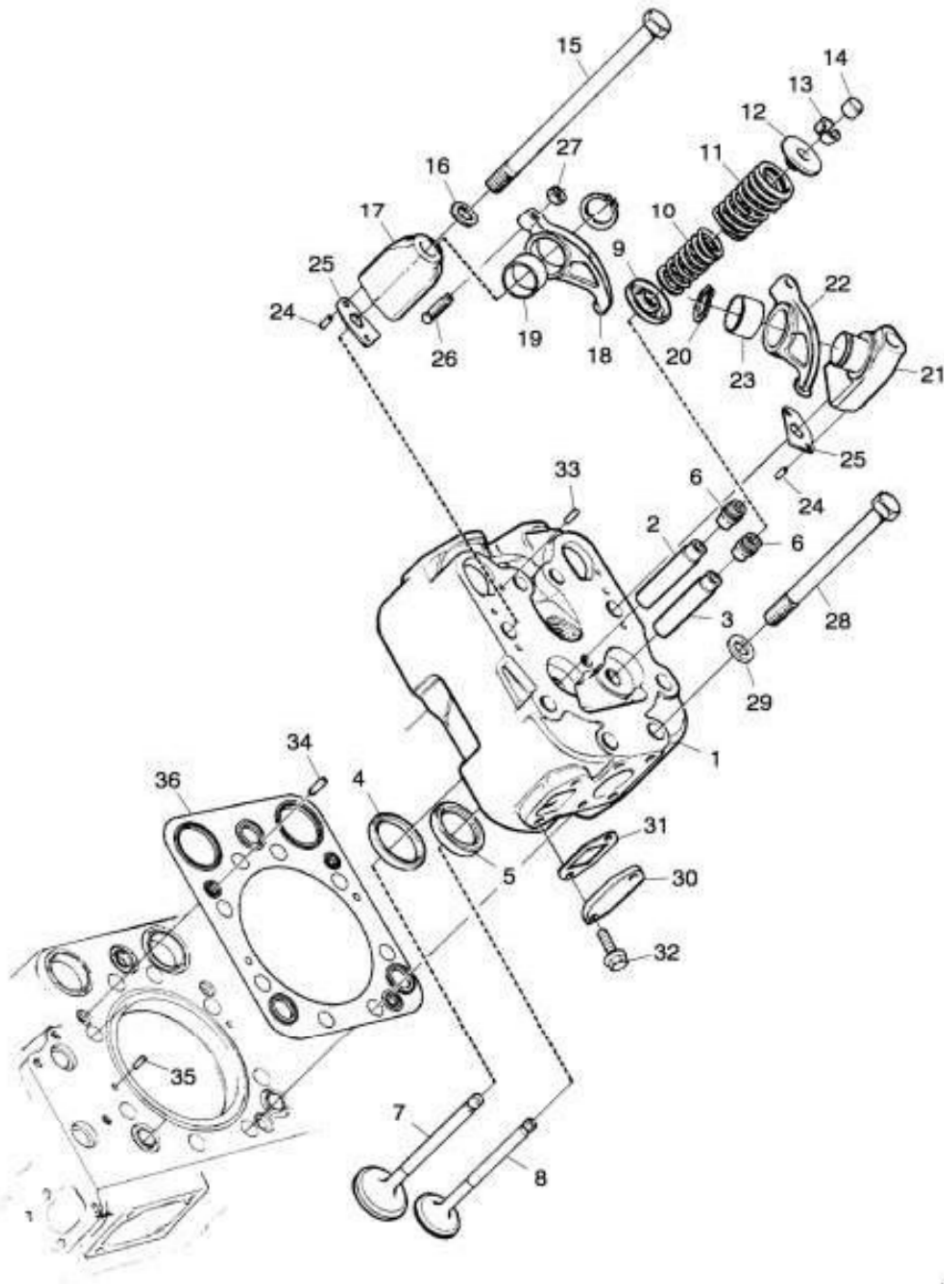




Engine number: 6506120

01-01-0156 Cylinder head,



311107

01-01-0156 Cylinder head,

Pos.	Part no.	Remark	A	Description
1	1523420	X 397775	8	Cylinder head
	570080	570065	8	Cylinder head
2	1523410	300957	8	•Valve guide
				For cylinder head: 1 335 134
	1521210	393263	8	•Valve guide
				For cylinder head: 397 775
3	1521209	1398624 exhaust	8	•Valve guide
				For cylinder head: 1 335 134
	1521209	1398624 exhaust	8	•Valve guide
				For cylinder head: 397 775
4	289517	STD, intake	8	•Valve seat insert
	289518	osz 0.2 mm, intake	8	•Valve seat insert
5	372972	STD, exhaust	8	•Valve seat insert
	372973	osz 0.2 mm, exhaust	8	•Valve seat insert
6	1304293		8	Seal
				For cylinder head: 397 775
7	352211		8	Intake valve
8	1397521	1360834	8	Exhaust valve
9	1385563	170084	16	Valve spring collar
				Intake
10	1728922	170043	8	Valve spring
11	1728921	170042	8	Valve spring
12	1395189	170083	8	Valve spring collar
				Exhaust
10	1728922	170043	8	Valve spring
11	1728921	170042	8	Valve spring
12	1395189	170083	8	Valve spring collar
13	1501351	17113	32	Split collet
14	1371619		16	Valve stem cap
15	170057	M16x228	16	Screw
16	1103519	K	16	Washer
17	384433	intake	8	Bearing bracket
18	1102309		8	Rocker arm
19	1100675		8	•Bearing bush
20	804781	ø 30mm	16	Retaining ring
21	384434	exhaust	8	Bearing bracket
22	1102308		8	Rocker arm
23	1100675		8	•Bearing bush
24	342341		32	Spiral pin
25	388422	K	16	Gasket
26	1481810	1408646 M10	16	Adjusting screw
27	394640	M10	16	Hexagon nut
28	170056	M16x160	48	Screw

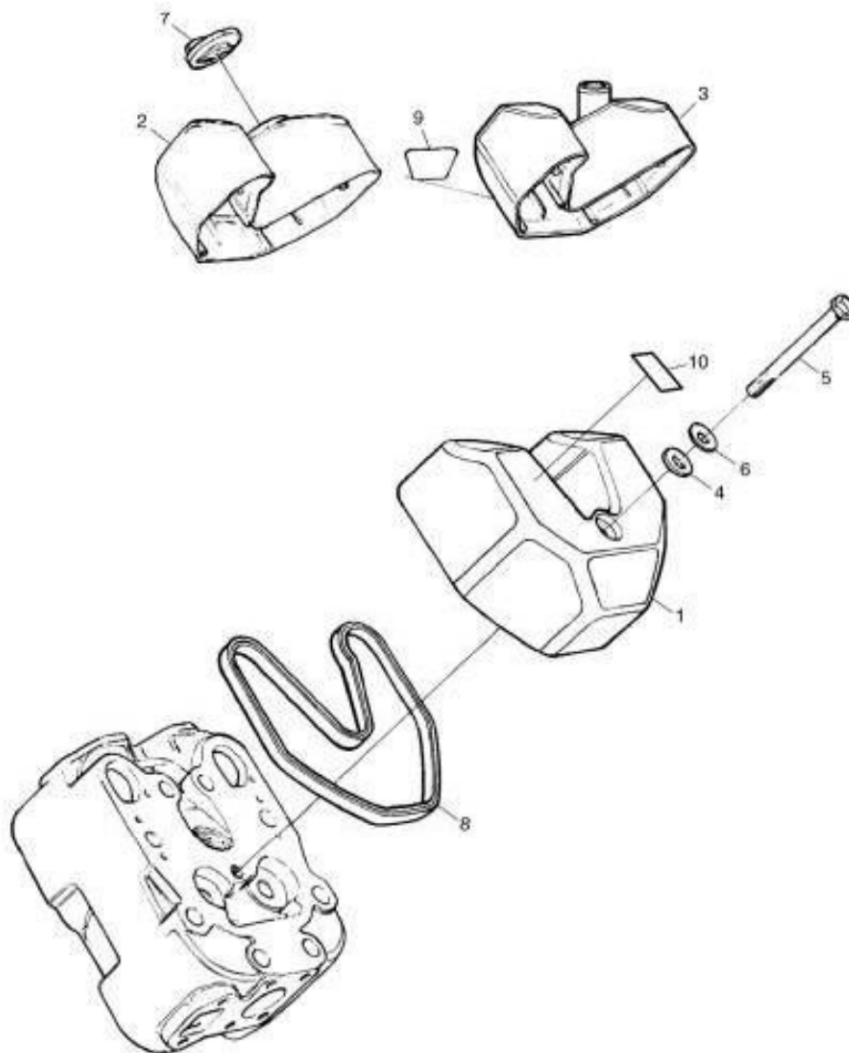


Engine number: 6506120

01-01-0156 Cylinder head,

Pos.	Part no.	Remark	A	Description
29	157287	TH=4 mm	48	Washer
30	372490		8	Cover
31	1445290	K 1392928	8	Gasket
32	812535	M10x22	16	Screw
33	804939	4x10	16	Pin
34	811791	8x20	16	Pin
35	804940	4x12	16	Pin
36	1403587	K 1313459	8	Cylinder head gasket
	551503	See reference 1/99/201	8	Gasket kit
				Cylinder head

01-01-0631 Rocker cover,



118395

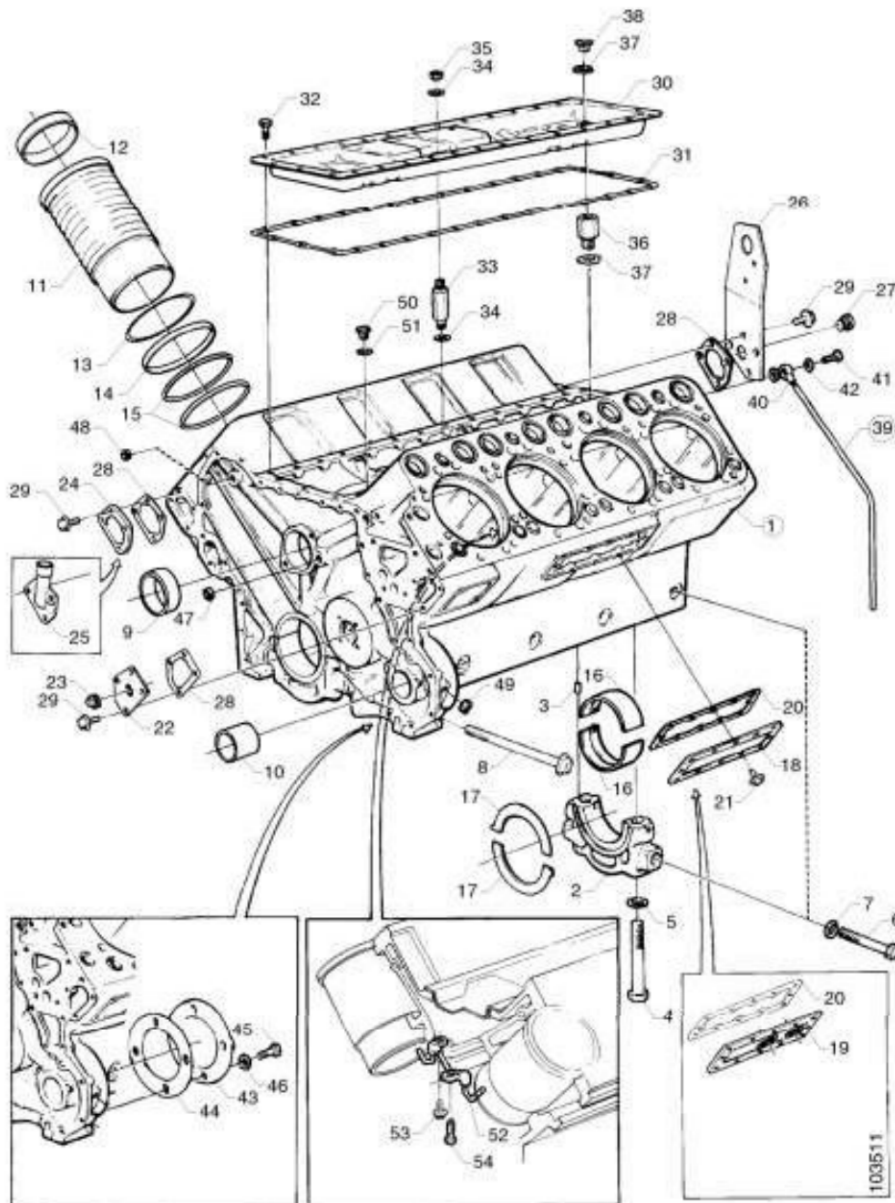


Engine number: 6506120

01-01-0631 Rocker cover,

Pos.	Part no.	Remark	A	Description
1	170609		7	Rocker cover
2	320745		1	Rocker cover
4	250608		8	Gasket
5	1328088		8	Flange screw
6	250607		8	Washer
7	931106		1	Filler cap
8	1305959		8	Rocker cover gasket
9	372400	DC14 57/64A, DC/DSC14 61A DI/DSI14 72/73A,	1	Instruction plate
9	1339628	DI14 81A, DC/DSC14 57A	1	Instruction plate
10		(1588083) "Declaration of Incorp."	1	Plate

01-05-0156 Cylinder block,



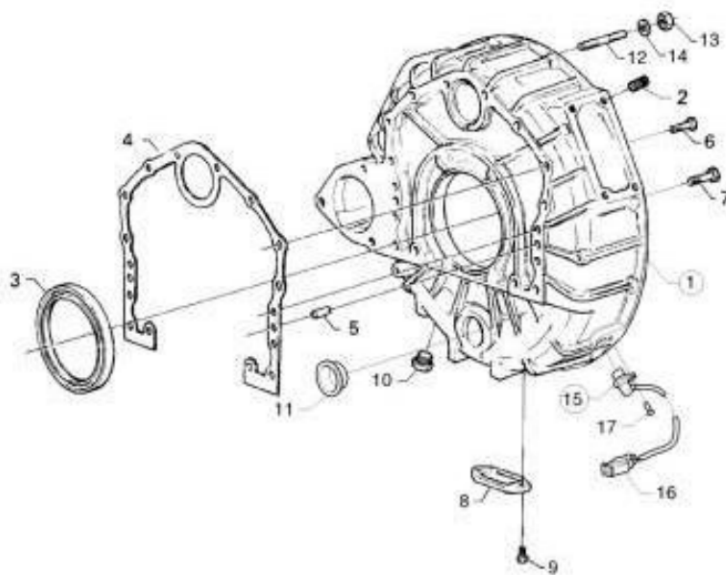
01-05-0156 Cylinder block,

Pos.	Part no.	Remark	A	Description
1	1360233	assy	1	Cylinder block
2		nss	5	•Bearing cap
3	803466	8x20	5	•Pin
4	170227	M20x150	10	•Screw
5	170307		10	•Washer
6	1420090		9	•Screw
7	10297		9	•Washer
8	1420091	1348912	1	•Screw
9	322007	No.1, machined	1	•Bearing bush
	1368550	No.1, unmachined	1	•Bearing bush
	170071	No.2-6, unmachined	5	•Bearing bush
10	170582	unmachined	1	•Bearing bush
11	1103002	K assy	8	Cylinder liner
12	1101755	K	8	•Ring
13	312151	TH=0.20 mm	rq	Shim
	312152	TH=0.25 mm	rq	Shim
	312153	TH=0.30 mm	rq	Shim
	357775	TH=0.40 mm	rq	Shim
	312154	TH=0.50 mm	rq	Shim
	312155	TH=0.75 mm	rq	Shim
14	1302828	K	8	Sealing ring
15	1312934	K 140.5x4	16	O-ring
16	550490	STD 101.62 mm (2 x 302700)	5	Bearing shell
	550481	usz1: 101.37 mm (2 x 358531)	5	Bearing shell
	550482	usz2: 101.12 mm (2 x 358532)	5	Bearing shell
	550483	usz3: 100.87 mm (2 x 358533)	5	Bearing shell
	550484	usz4: 100.62 mm (2 x 358534)	5	Bearing shell
	550485	usz5: 100.37 mm (2 x 358535)	5	Bearing shell
	550486	usz6: 100.12 mm (2 x 358536)	5	Bearing shell
17	255573	STD 3.429 mm	4	Thrust bearing
	255574	osz1: 3.505 mm	4	Thrust bearing
	255575	osz2: 3.556 mm	4	Thrust bearing
	255576	osz3: 3.683 mm	4	Thrust bearing
	255577	osz4: 3.937 mm	4	Thrust bearing
	255578	osz5: 4.318 mm	4	Thrust bearing
18	278519		2	Side cover
19	332852		2	Side cover
				For engine heater
20	1392932	170694	2	Gasket
21	812516	M8x20	24	Flange screw
22	269728	DS/DSC14	1	Cover
23	125887	3/4"-14 DS/DSC14,	1	Screw plug
24	305656	DS/DSC14	1	Cover
25	1114602	DSI14	1	Flange

01-05-0156 Cylinder block,

Pos.	Part no.	Remark	A	Description
26	1321885	LH	1	Lifting eye
	334619	RH	1	Lifting eye
	1379398	RH For DSI-engines with air intake mounted on intake manifold.	1	Lifting eye
	1359864	DI14 81A	1	Lifting eye
27	813209	M26x1.5Kx14.5	1	Screw plug
	812376	M22x1.5x9 DI14 81A	1	Screw plug
	812418	22.2x26.9 DI14 81A	1	Gasket
28	1392933	170696	4	Gasket
29	812535	M10x22 DS/DSC14,	16	Screw
	812535	M10x22 DSI14,	14	Screw
	812536	M10x25 DSI14,	2	Flange screw
30	170701		1	Cover plate
31	1338860		1	Gasket
32	812534	M10x20	25	Flange screw
33	170789		1	Union
34	170809		2	Gasket
35	815140	M16x1.5	1	Hexagon nut
36	170790		1	Union
37	170810		2	Gasket
38	170791		1	Banjo screw
39	331156	L=500mm	1	Tube
40	812403		1	•Banjo union
41	812390	M14x1.5	1	Banjo screw
42	237976		2	Gasket
43	170371		1	Cover
44	371497		1	Gasket
45	815048	M12x30	4	Screw
	814843	M12x45 PTO SAE B,	4	Hexagon screw
				Side-mounted power take-off
	814840	M12x30 PTO SAE B/C,	4	Hexagon screw
				Side-mounted power take-off
46	807311	13x24x2	4	Washer
				Side-mounted power take-off
47	170407	NPTF 1/2"-14	2	Screw plug
48	211646	NPTF 3/8"-18	4	Screw plug
49	170602	NPTF 1/4"-18	3	Screw plug
50	812373	M16x1.5x9	2	Screw plug
51	812415	16.2x19.9	2	Gasket
52	395463		4	Piston cooling nozzle
53	812518	M8x25	4	Flange screw
54	339840	M10x1	4	Banjo screw
	551553	See reference 1/99/360	8	Repair kit
				Piston and cylinder liner

01-05-0871 Flywheel housing, Silumin,



103544



Engine number: 6506120

01-05-0871 Flywheel housing, Silumin,

Pos.	Part no.	Remark	A	Description
1	1390390	assy	1	Flywheel housing
2	348380		8	•Thread insert
3	369478		1	Shaft seal
4	1392935	371499	1	Gasket
5	803515	12x30	2	Pin
6	815050	M12x40	8	Flange screw
7	815052	M12x50	8	Flange screw
8	16022		1	Cover
9	812997	M8x16	2	Self-tapping screw
10	1300635		1	Plug
11	813163		1	Plug
12	800610	M10x50	12	Stud
13	815133	M10	12	Flange nut
14	803000	10.5x18	12	Washer
15	1394589	assy,	1	Rotational speed sensor
16	1342963	2-pol	1	•Contact housing
	1347492	2-pol	1	•Wedge lock
	1361118		2	•Cable terminal round socket
17	812987	M6x12	1	Self-tapping screw