

Yanmar 4TNV98-ZNMS 4TNV98T-ZNMS 4TNV98-ZNTBL 4TNV98T-ZNTBL Engines

(P/N's 192809, 192808,
242474, 241451, 196108,
196340)

Mustang 2066/76/86, 2700V
and Gehl 56/6640E, V270
Skid-Steer Loaders

Gehl CTL65/75 and
Mustang MTL316/320
Compact
Track
Loaders



Form No.
917304

Revision C
07/09

ENGINE PARTS MANUAL

Introduction

This manual covers the Yanmar 4TNV98-ZNMS (and Turbocharged version) and 4TNV98-ZNTBL (and Turbocharged version) engines with the following part numbers:

Part Number 192809: Mustang 2066 (naturally-aspirated)

Part Number 192808: Mustang 2076 and 2086 (turbocharged)

Part Number 242474: Mustang 2066 (naturally-aspirated)

Part Number 241451: Mustang 2076/2086/2700V and Gehl 5640E/6640E/V270 (turbocharged)

Part Number 196108: Gehl CTL65 and Mustang MTL316 (naturally-aspirated)

Part Number 196340: Gehl CTL75 and Mustang MTL320 (turbocharged)

When ordering service parts, specify the correct part number, full description, quantity required, and the engine model number and serial number.

Items shown that do not have a part number are shown for reference purposes only and are not available for purchase. Part numbers may change. Your Gehl or Mustang dealer will have the latest part number.

Gehl® Company and the Mustang® Manufacturing Co., Inc., reserve the right to make changes or improvements in the design or construction of any part of the unit without incurring the obligation to install such changes on any previously delivered units.

IMPORTANT

For maximum engine life, when shutting the engine down, allow the engine to idle, without load, for five minutes. This will allow engine components that operate at high temperatures to cool slightly before the engine itself is shut down.

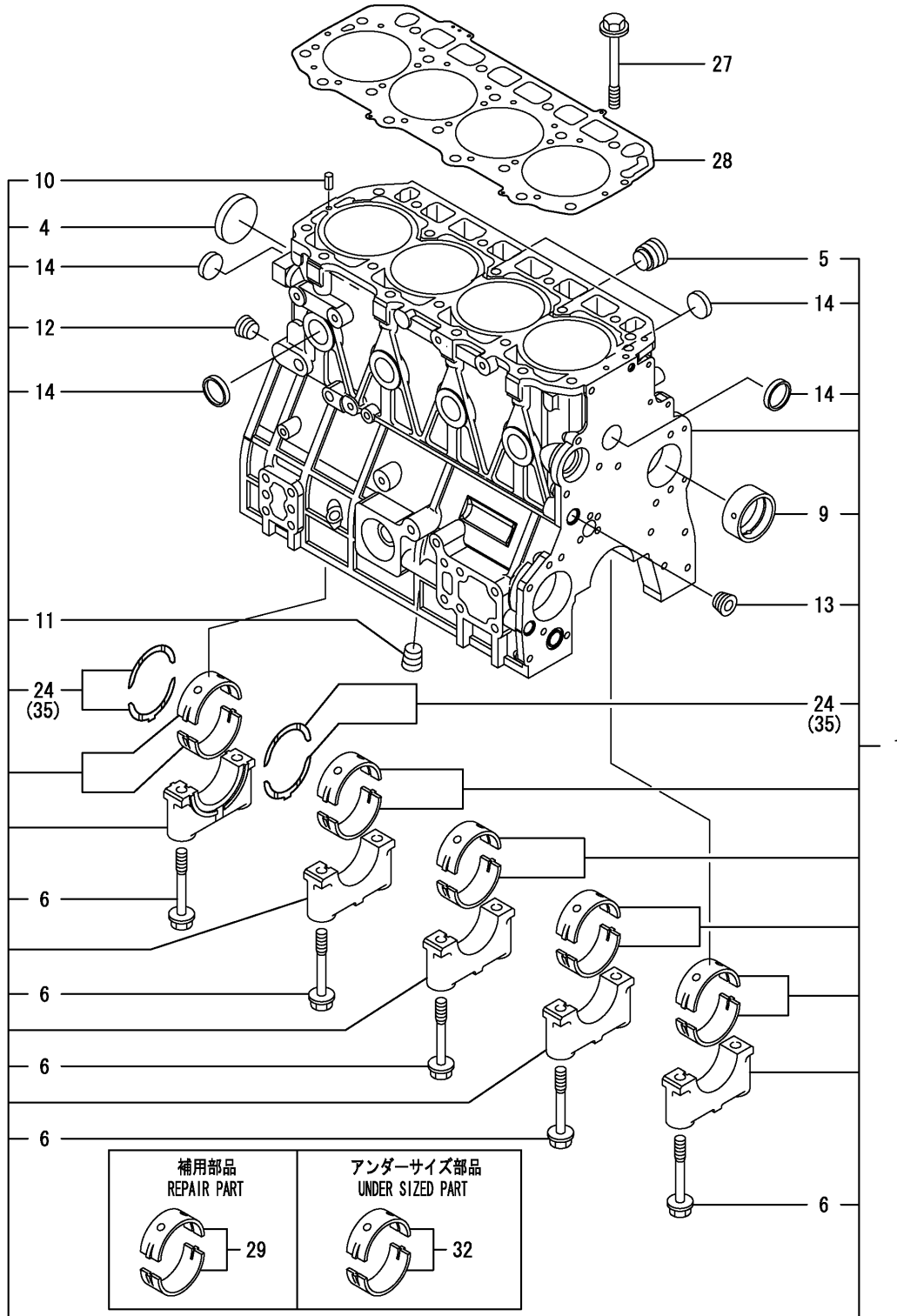
GEHL is a registered trademark of the Gehl Company.

MUSTANG is a registered trademark of the Mustang Manufacturing Co., Inc.

TABLE OF CONTENTS

DESCRIPTION	PAGE
<u>ENGINE SERVICE PARTS</u>	
Cylinder Block	1
Gear Housing	3
Flywheel Housing and Oil Sump	5
Cylinder Head and Bonnet	7
Suction Manifold	13
Exhaust Manifold and Silencer	17
Camshaft and Driving Gear	21
Crankshaft and Piston	23
Lubrication Oil System	25
Cooling Water System	31
Fuel Injection Pump	35
Governor	37
Fuel Injection Valve	39
Fuel Line	41
Starting Motor	43
Electric Parts	45
Tool and Gasket Set	47
Turbine (Turbocharged)	51
Lubrication Oil Line (Turbocharged)	53
Generator (-ZNTBL engine)	55
Numerical Index	58

CYLINDER BLOCK

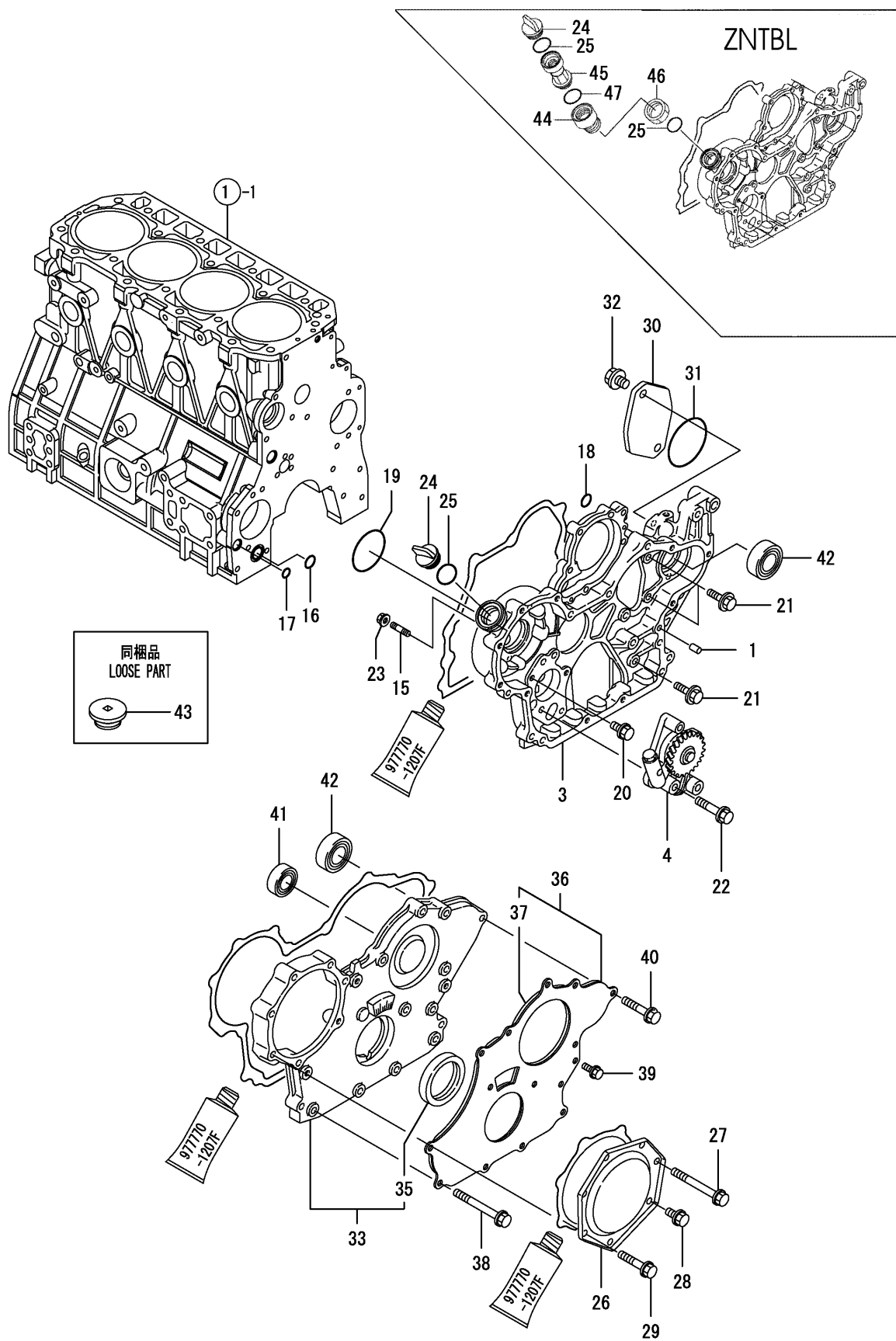


Y00W2680	1, CYLINDER BLOCK			
4TNV98-ZNMS	1, 07/12	2	3	PLUS

CYLINDER BLOCK

Ref. No.	Part No.	Description	Quantity 4TNV98
1	197827	BLOCK ASSY, CYLINDER (ZNMS AND ZNTBL)	1
	197831	BLOCK ASSY, CYLINDER (T-ZNMS AND T-ZNTBL)	1
4	186486	PLUG 55	1
5	425-34722	PLUG	1
6	186491	BOLT, METAL CAP	10
9	186493	BUSH, CAMSHAFT	1
10	425-34783	SPRING PIN 6X12	2
11	425-36260	PLUG PT3/8,SCREW	1
12	425-36260	PLUG PT3/8,SCREW	1
13	425-36260	PLUG PT3/8,SCREW	1
14	188757	PLUG 30	8
24	186494	BEARING ASSY, THRUST	2
27	186485	BOLT, HEAD	18
28	186513	GASKET,CYLINDER HEAD	1
29	186635	MAIN BEARING SET	5
32	197591	MAIN BEARING US=0.25	5
35	197592	BEARING,THRUST .25OS	2

GEAR HOUSING



Y00W2680	2, GEAR HOUSING			
4TNV98-ZNMS	1, 07/12	2	3	PLUS