

Form No.
917086

Revision B
12/06

YANMAR

4TNV98-YTBL,

4TNV106T-XTBL

Engines

(P/N 186104, 185469)

Gehl CTL60/80 and Mustang

MTL16/25 Track Loaders



ENGINE PARTS MANUAL

Introduction

This manual covers the Yanmar 4TNV98-YTBL and 4TNV106T-XTBL engines (P/N 186104 and 185469, respectively), used in Gehl CTL60/80 and Mustang MTL16/25 track loaders, respectively.

When ordering service parts, specify the correct part number, full description, quantity required, and the engine model number and serial number.

Items shown that do not have a part number are shown for reference purposes only and are not available for purchase. Part numbers may change. Your Gehl or Mustang dealer will have the latest part number.

Gehl® Company and the Mustang® Manufacturing Co., Inc., reserve the right to make changes or improvements in the design or construction of any part of the unit without incurring the obligation to install such changes on any previously delivered units.

TABLE OF CONTENTS

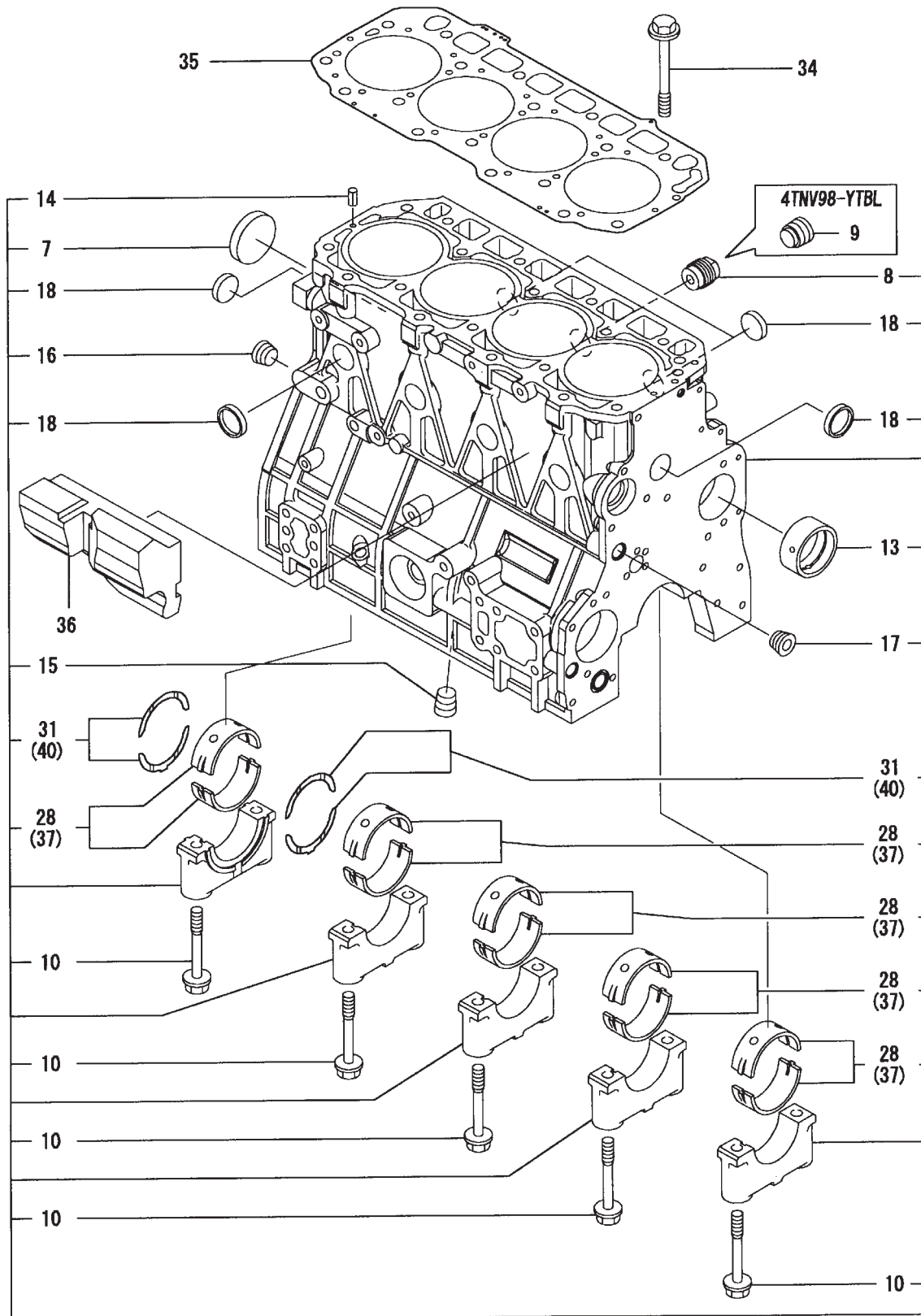
DESCRIPTION

PAGE

ENGINE SERVICE PARTS

Cylinder Block	1
Gear Housing	5
Flywheel Housing and Oil Sump	9
Cylinder Head and Bonnet	13
Suction Manifold and Air Cleaner	19
Exhaust Manifold and Silencer.	23
Camshaft and Driving Gear	27
Crankshaft and Piston	31
Lubrication Oil System.	35
Cooling Water System	39
Fuel Injection Pump	43
Governor	47
Fuel Injection Valve	49
Fuel Line	53
Starting Motor	57
Generator	61
Tool and Gasket Set	65
Turbine (4TNV106T-XTBL only)	69
Lubrication Oil Line (4TNV106T-XTBL only).	71
Numerical Index	74

CYLINDER BLOCK

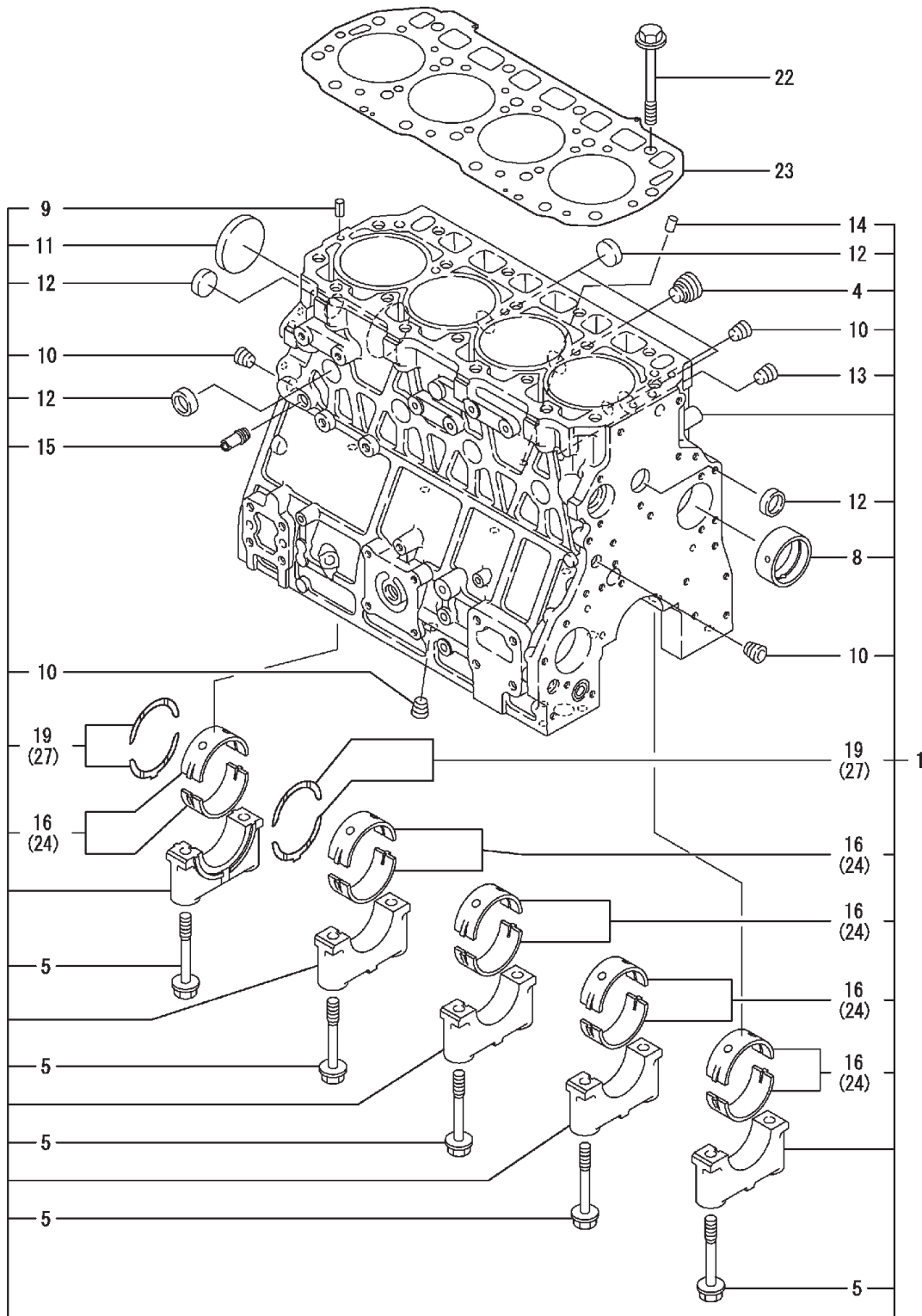


Y00D9020	001. CYLINDER BLOCK			
4TNV98-VTBZ, XT8W, YTBL		1:2003.11		PLUS

CYLINDER BLOCK

Ref. No.	Part No.	Description	4TNV98-YTBL Quantity
2	186637	BLOCK ASSY/CYLINDER	1
7	186486	PLUG 55	1
9	425-34722	PLUG	1
10	186491	BOLT/METAL CAP	10
13	186493	BUSH/CAMSHAFT	1
14	425-34783	SPRING PIN 6 X12	2
15	425-36260	PLUG PT 3/8 SCREW	1
16	425-36260	PLUG PT 3/8 SCREW	1
17	425-36260	PLUG PT 3/8 SCREW	1
18	138147	PLUG 30	8
28	186635	MAIN BEARING SET	5
31	186494	BEARING ASSY/THRUST	2
34	186485	BOLT/HEAD	18
35	186513	GASKET/CYLINDER HEAD	1
36	186512	SPACER	1
37	186492	MAIN BEARING	5
40	186495	BEARING/THRUST	2

CYLINDER BLOCK

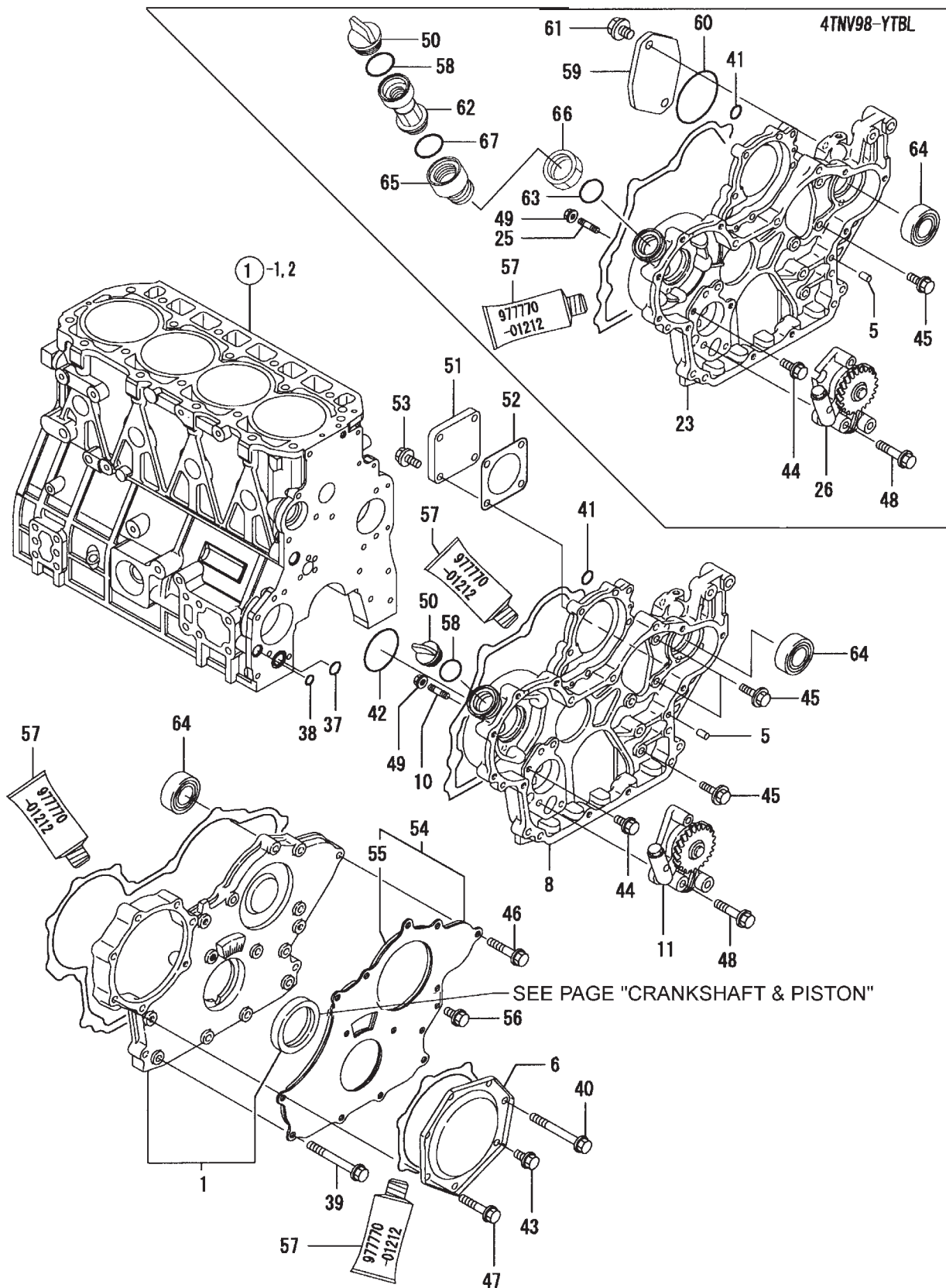


Y00D7840	001. CYLINDER BLOCK			
41NV106T-XTBL		2003.02		PLUS

CYLINDER BLOCK

Ref. No.	Part No.	Description	4TNV106T-XTBL Quantity
1	186628	BLOCK ASSY/CYLINDER	1
4	425-34722	PLUG	1
5	137972	BOLT/CAP/MAIN-BEARING	10
8	137974	BUSH	1
9	425-34783	SPRING PIN 6 X12	2
10	138123	PLUG PT 3/8 STEEL	4
11	138146	PLUG 70	1
12	138147	PLUG 30	8
13	138123	PLUG PT 3/8 STEEL	1
14	138145	PLUG 12*16	1
15	137960	JOINT/PIPE	1
16	137975	BEARING ASSY/MAIN	5
19	137976	BEARING ASSY/THRUST	2
22	137933	BOLT/CYLINDER HEAD	18
23	186380	GASKET/HEAD	1
24	137973	MAIN BEARING	5
27	137977	BEARING/THRUST	2

GEAR HOUSING



SEE PAGE "CRANKSHAFT & PISTON"

Y0008020	002 GEAR HOUSING		
4TNV98-YTBZ, XTBI, YTBL		1.2003.11	PLUS