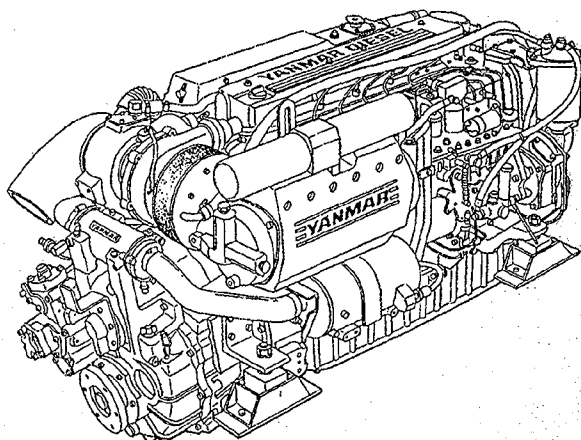


OPERATION MANUAL

YANMAR

**YANMAR DIESEL
ENGINE
6LY2-STE**

OPERATION MANUAL 6LY2-STE



▲
Be sure to read this manual for safe and proper operation.
Store this manual carefully after use.

Congratulations on your choice of
YANMAR product from YANMAR DIESEL ENGINE CO., LTD.
This manual describes operation, periodic inspection and
maintenance servicing for the ENGINE manufactured by
YANMAR DIESEL ENGINE CO., LTD.
Please read this manual carefully before use, and operate
your engine properly under the optimum conditions, should
you have any questions or concerns, please do not hesitate to
contact your nearest dealer or distributor.

California Proposition 65 Warning

Diesel engine exhaust and some of its
constituents are known to the State of
California to cause cancer, birth defects,
and other reproductive harm.

California Proposition 65 Warning

Battery posts, terminals, and related
accessories contain lead and lead
compounds, chemicals known to the
State of California to cause cancer and
reproductive harm.
Wash hand after handling

ENGLISH

6LY2-STE SERIES DIESEL ENGINE
OPERATION MANUAL

FRANÇAIS

MOTEUR DIESEL SERIE 6LY2-STE
LIVRET D'ENTRETIEN

DEUTSCH

DIESELMOTOR DER SERIE 6LY2-STE
BEDIENUNGSANLEITUNG

ESPAÑOL

MOTOR DIESEL SERIE 6LY2-STE
MANUAL FUNCIONAMIENTO

ITALIANO

MOTOR DIESEL SERIE 6LY2-STE
MANUALE DI ISTRUZIONI

SVENSK

DIESELMOTOR SERIE 6LY2-STE
BRUKSANVISNING

ENGLISH

6LY2-STE SERIES DIESEL ENGINE
OPERATION MANUAL

**YANMAR
MARINE DIESEL ENGINE
MODELS : 6LY2-STE
OPERATION MANUAL**

Thank you purchasing a YANMAR Marine Diesel Engine.

[INTRODUCTION]

- This Operation Manual describes the operation, maintenance and inspection of the 6LY2-STE Yanmar marine diesel engine.
- Read this Operation Manual carefully before operate the engine to ensure that the engine is used correctly and that it stays in the best possible condition.
- Keep this Operation Manual in a convenient place for easy access.
- If this Operation Manual is lost or damaged, order a new one from your dealer or distributor.
- Make sure this manual is transferred to subsequent owners. This manual should be considered a permanent part of the engine and remain it.
- Constant efforts are made to improve the quality and performance of Yanmar products, so some details included in this Operation Manual may differ slightly from your engine. If you have any questions about such difference please contact your Yanmar Dealer or Distributor.
- The marine gear described in this manual is Yanmar model KMH6A1.
- For detailed information marine gears other than model KMH6A1 refer to the Marine Gear Operation Manual.

Operation Manual (Marine Engine)	Models	6LY2-STE
	Code No.	499613-02820