

HINSI-H8-011-1

SERVICE MANUAL

MARINE DIESEL ENGINE

6LY2-STE

6LY2A-STP

6LYA-STP

YANMAR

SERVICE MANUAL

MARINE DIESEL ENGINE

MODEL 6LY2-STE
6LY2A-STP
6LYA-STP

History of Revision

Manual Name	Service Manual for Marine Diesel Engine
-------------	---

Engine Model :	6LY2-STE/6LY2A-STP/6LYA-STP
----------------	------------------------------------

Number of revision	Date of revision	Reason for correction	Outline of correction	Ccorrection item No (page)	Corrected by
--------------------	------------------	-----------------------	-----------------------	----------------------------	--------------

- 1st revised edition Jun., 2001 (Publication No. HINSHI-H8-011-1)
6LY2A-STP and 6LYA-STP added
- Revised pages : 1-2, 1-3, 1-4, 1-5, 1-6, 1-7, 1-8, 1-9, 1-10, 1-11, 2-4, 2-6, 2-7, 2-8, 2-9, 2-10, 2-11, 2-12, 2-13, 2-14, 2-15, 2-26, 3-3, 3-11, 5-2, 5-6, 7-2, 7-6, 9-6, 10-1, 10-6, 10-30, 10-31, 10-32, 10-34, 10-35, 10-36, 10-37, cover pages and back page.
- Added pages : 1-1-2, 1-1-3, 1-1-4, 1-1-5, 1-1-6, 1-1-7, 1-3-2, 1-4-2, 1-4-3, 1-7-2, 2-4-2, 3-33-2, 10-31-2 and History of Revision.

FOREWORD

This service manual has been compiled for engineers engaged in sales, service, inspection and maintenance. Accordingly, descriptions of the construction and functions of the engine are emphasized in this manual while items which should already be common knowledge are omitted.

One characteristic of a marine diesel engine is that its performance in a vessel is governed by the applicability of the vessel's hull construction and its steering system.

Engine installation, fitting out and propeller selection have a substantial effect on the performance of the engine and the vessel. Moreover, when the engine runs unevenly or when trouble occurs, it is essential to check a wide range of operating conditions — such as installation to the hull and suitability of the ship's piping and propeller — and not just the engine itself. To get maximum performance from this engine, you should completely understand its functions, construction and capabilities, as well as proper use and servicing.

Use this manual as a handy reference in daily inspection and maintenance, and as a text for engineering guidance.

METRIC

ALL DIMENSIONS IN MILLIMETERS
UNLESS OTHERWISE SPECIFIED

The contents of this service manual may not be copied or reproduced without permission.

CHAPTER 1 GENERAL

1. Exterior Views	1-2
2. Specifications	1-3
3. Performance Curves	1-4
4. Dimensions	1-5
5. Wiring Diagrams	1-8
6. Piping Diagrams	1-11

CHAPTER 2 BASIC ENGINE PARTS

1. Cylinder Block	2-2
2. Cylinder Head	2-5
3. Piston and Piston Pins	2-13
4. Connecting Rod	2-17
5. Crankshaft and Main Bearing	2-20
6. Camshaft and Tappets	2-23
7. Timing Gear	2-26
8. Flywheel	2-28

CHAPTER 3 FUEL INJECTION EQUIPMENT

1. Fuel injection Pump Construction	3-2
2. Fuel injection Pump Specifications	3-3
3. Fuel supply System	3-4
4. Fuel Injection Nozzle	3-11
5. Fuel Feed Pump	3-14
6. Disassembly, Reassembly and Inspection of Governor	3-15
7. Disassembly, Reassembly and Inspection of Fuel injection pump	3-21
8. Automatic Advancing Timer	3-34
9. Fuel feed pump	3-36
10. Adjustment of Fuel Injection Pump and Governor	3-38
11. Fuel Filter	3-40

CHAPTER 4 INTAKE AND EXHAUST SYSTEM

1. Construction and Function	4-2
2. Standards for Maintenance and Check	4-3
3. Periodical Checking Procedure	4-5
4. Disassembly Procedure	4-7
5. Cleaning and Checking Procedure	4-9
6. Reassembling procedure	4-14
7. Handling After Reassembly	4-17
8. Troubleshooting	4-18

CHAPTER 5 LUBRICATION SYSTEM

1. Lubrication System	5-2
2. Lube Oil Pump	5-3
3. Lube Oil Filter	5-6
4. Oil Pressure Control Valve	5-7
5. Lube Oil Cooler	5-8
6. Piston Cooling Nozzle	5-9
7. Rotary Waste Oil Pump (Optional)	5-10

CHAPTER 6 COOLING WATER SYSTEM

1. Cooling Water System	6-2
2. Sea Water Pump	6-4
3. Fresh Water Pump	6-6
4. Fresh Water Cooler	6-9
5. Pressure Cap and Sub Tank	6-11
6. Thermostat	6-13
7. Kingston Cock (Optional)	6-15
8. Bilge Pump and Bilge Strainer (Optional)	6-16

CHAPTER 7 REDUCTION AND REVERSING GEAR

1. Specification and System	7-2
2. Reassembly and disassembly (KMH6A1)	7-6
3. Cautions for Reassembly	7-9

CHAPTER 8 REMOTE CONTROL

1. Remote Control System (Option)	8-2
2. Remote Control Installation	8-3

CHAPTER 9 ELECTRICAL SYSTEM

1. System Diagram	9-2
2. Battery	9-3
3. Starter Motor	9-6
4. Alternator	9-16
5. Instrument Panel	9-26
6. Warning Devices	9-27
7. Tachometer	9-30

CHAPTER 10 DISASSEMBLY AND REASSEMBLY

1. Disassembly and Reassembly Precautions	10-2
2. Disassembly and Reassembly Tools	10-3
3. Disassembly and Reassembly	10-12
4. Measure nut / tightening torque	10-31
5. Test running	10-38

CHAPTER 11 TROUBLESHOOTING

1. Troubleshooting	11-2
--------------------	------


CHAPTER 1
GENERAL

1. Exterior Views	1-2
2. Specifications	1-3
3. Performance Curves	1-4
4. Dimensions	1-5
5. Wiring Diagrams	1-8
6. Piping Diagrams	1-11

■ For Safe Servicing

- Most accidents are caused by failing to observe basic safety rules and precautions. To prevent accidents, it is important to recognize the signs of approaching problems, and eliminate the problems in the early stage before they can cause accidents.

Please read this manual carefully before starting repairs or maintenance to fully understand safety precautions and appropriate inspection and maintenance procedures. Attempting a repair or maintenance job without sufficient knowledge may cause an unexpected accident.

- It is impossible to cover every possible danger in repair or maintenance in the manual. Sufficient consideration for safety is required in addition to the matters marked  CAUTION. Especially for safety precautions in a repair or maintenance job not described in this manual, receive instructions from a knowledgeable leader.

- Safety marks used in this manual and their meanings are as follows:



DANGER indicates an imminently hazardous situation which, if not avoided, **WILL** result in death or serious injury.



WARNING indicates a potentially hazardous situation which, if not avoided, **COULD** result in death or serious injury.



CAUTION indicates a potentially hazardous situation which, if not avoided, may result in minor or moderate injury.

- Any matter marked [**NOTICE**] in this manual is especially important in servicing. If not observed, the product performance and quality may not be guaranteed.

■ Precautions for Safe Servicing

(A) Service Shop (Place)

WARNING



● Place allowing sufficient ventilation

Jobs such as engine running, part welding and polishing the paint with sandpaper should be done in a well-ventilated place.

[Failure to Observe]

Very dangerous for human body due to the possibility of inhaling poisonous gas or dust.

CAUTION

● Sufficiently wide and flat place

The floor space of the service shop for inspection and maintenance should be sufficiently wide and flat without any holes.

[Failure to Observe]

An accident such as a violent fall may be caused.

CAUTION

● Clean, orderly arranged place

No dust, mud, oil or parts should be left on the floor surface.

[Failure to Observe]

An unexpected accident may be caused.

CAUTION



● Bright, safety illuminated place

The working place should be illuminated sufficiently and safely.

For a job in a dark place where it is difficult to see, use a portable safety lamp.

The bulb should be covered with a wire cage for protection.

[Failure to Observe]

The bulb may be broken accidentally causing ignition of leaking oil.

CAUTION



● Place equipped with a fire extinguisher

Keep a first aid kit and fire extinguisher close at hand in preparation for fire emergencies.

(B) Working Wear

⚠ CAUTION



● Wears for Safe Operation

Wear a helmet, working clothes, safety shoes and other safety protectors suited to the job. It is especially important to wear well-fitting work clothes.

[Failure to Observe]

A serious accident such as trapping by a machine may occur.

(C) Tools to Be Used

⚠ WARNING

● Appropriate holding and lifting

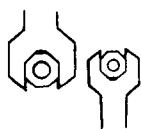
Never operate when the engine is supported with blocks or wooden pieces or only with a jack.

To lift and hold the engine, always use a crane with a sufficient allowance in limit load or a rigid jack.

[Failure to Observe]

A serious accident may occur.

⚠ WARNING



● Use of Appropriate Tools

Use tools appropriate for the jobs to be done. Use a correctly sized tool for loosening or tightening a machine part.

[Failure to Observe]

A serious accident such as trapping by a machine may occur.

(D) Use of Genuine Parts, Oil and Grease

⚠ CAUTION



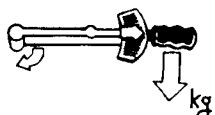
● Always use genuine parts.

[Failure to Observe]

Shortening of engine life or an unexpected accident may arise.

(E) Bolt and Nut Tightening Torque

⚠ WARNING



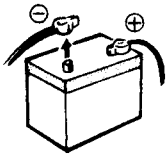
● Always tighten to the specified torque if designated in the manual.

[Failure to Observe]

Loosening or falling may cause parts damage or injury.

(F) Electrical Parts

⚠ WARNING



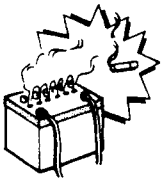
● **Harness Short-circuit**

Disconnect the battery negative ⊖ terminal before starting the service job.

[Failure to Observe]

Short-circuiting of a harness may occur to start a fire.

⚠ WARNING



● **Battery Charging**

Since flammable gas is generated during battery charging, keep anything which could cause a fire away from the battery.

[Failure to Observe]

Explosion may occur.

⚠ WARNING



● **Battery Electrolyte**

Since the electrolyte is diluted sulfuric acids, do not let it be splashed onto clothes or skin.

[Failure to Observe]

The clothes or skin may be burnt.

(G) Waste Treatment

⚠ CAUTION

Observe the following instructions with regard to waste disposal. Negligence of each instruction will cause environmental pollution.

- Waste fluids such as engine oil and cooling water shall be discharged into a container without spillage onto the ground.
- Do not let waste fluids be discharged into the sewerage, a river or the sea.
- Harmful wastes such as oil, fuel, solvents, filterelements and battery shall be treated according to the respective laws and regulations. Ask a qualified collecting company for example.

(H) Handling the Product

WARNING



● Supplying the Fuel

When supplying the fuel, always keep any fire source like a cigarette or match away.

[Failure to Observe]

A fire or explosion may arise.

WARNING



● Pay attention to hot portions.

Do not touch the engine during running or immediately after it is stopped.

[Failure to Observe]

Scalding may be caused by a high temperature.

WARNING



● Pay attention to the rotating part.

Never bring clothes or a tool close to the rotating part during engine running.

[Failure to Observe]

Injury may be caused by entrapping.

CAUTION

● Safety Label Check

Pay attention to the product safety label.

A safety label (caution plate) is affixed on the product for calling special attention to safety.

If it is missing or illegible, always affix a new one.

California Proposition 65 Warning

Diesel engine exhaust and some of its constituents are known to the State of California to cause cancer, birth defects, and other reproductive harm.

California Proposition 65 Warning

Battery posts, terminals, and related accessories contain lead and lead compounds, chemicals known to the State of California to cause cancer and reproductive harm.

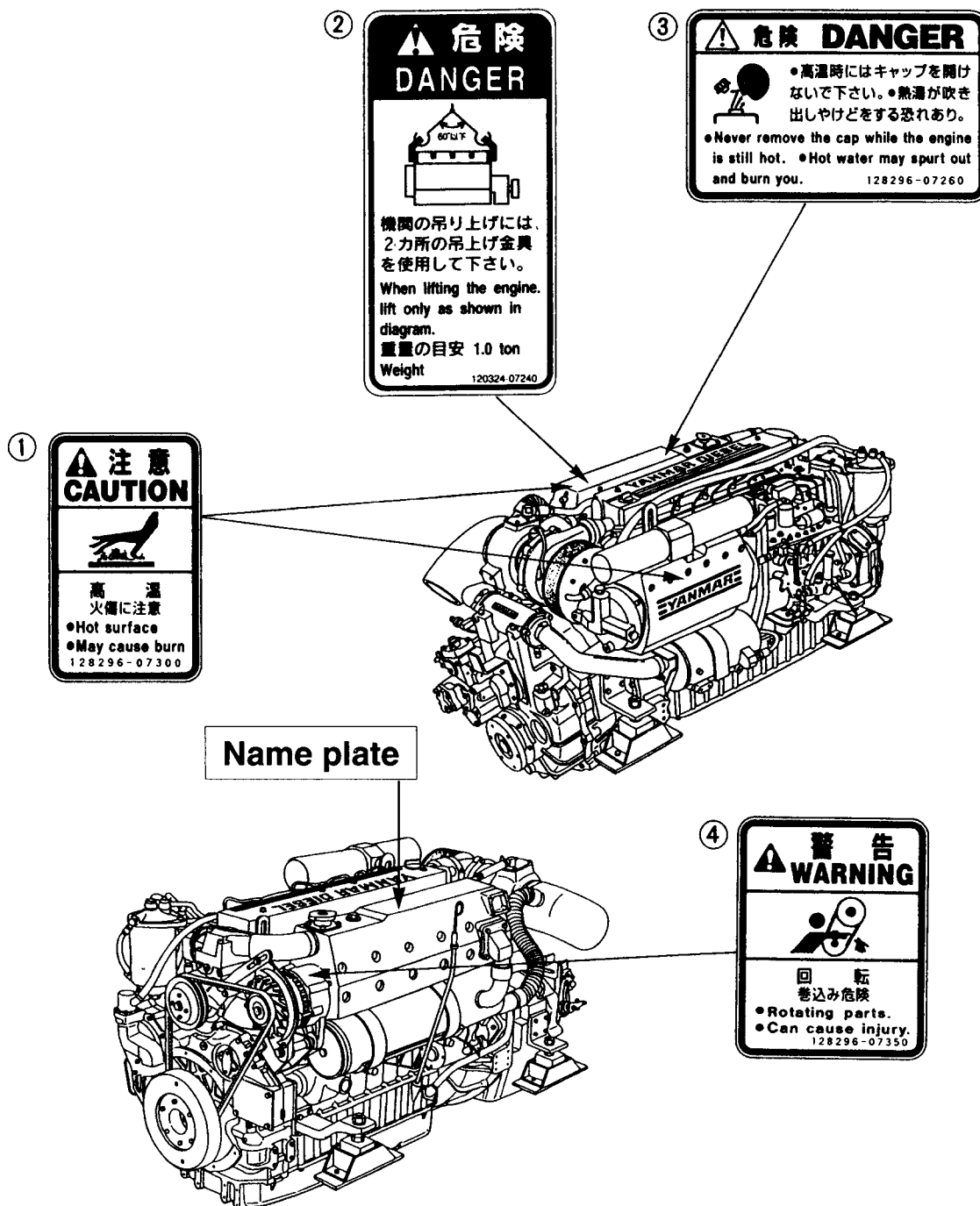
■ Location of Product Safety Labels

To insure safe operation, warning device labels have been attached. Their location is shown in the diagram below. Keep the labels from becoming dirty or torn and replace them if they are lost or damaged.

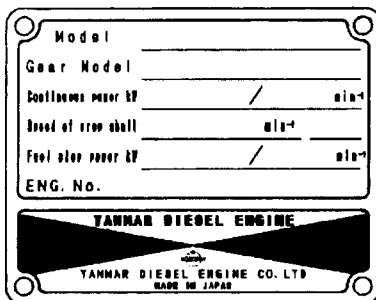
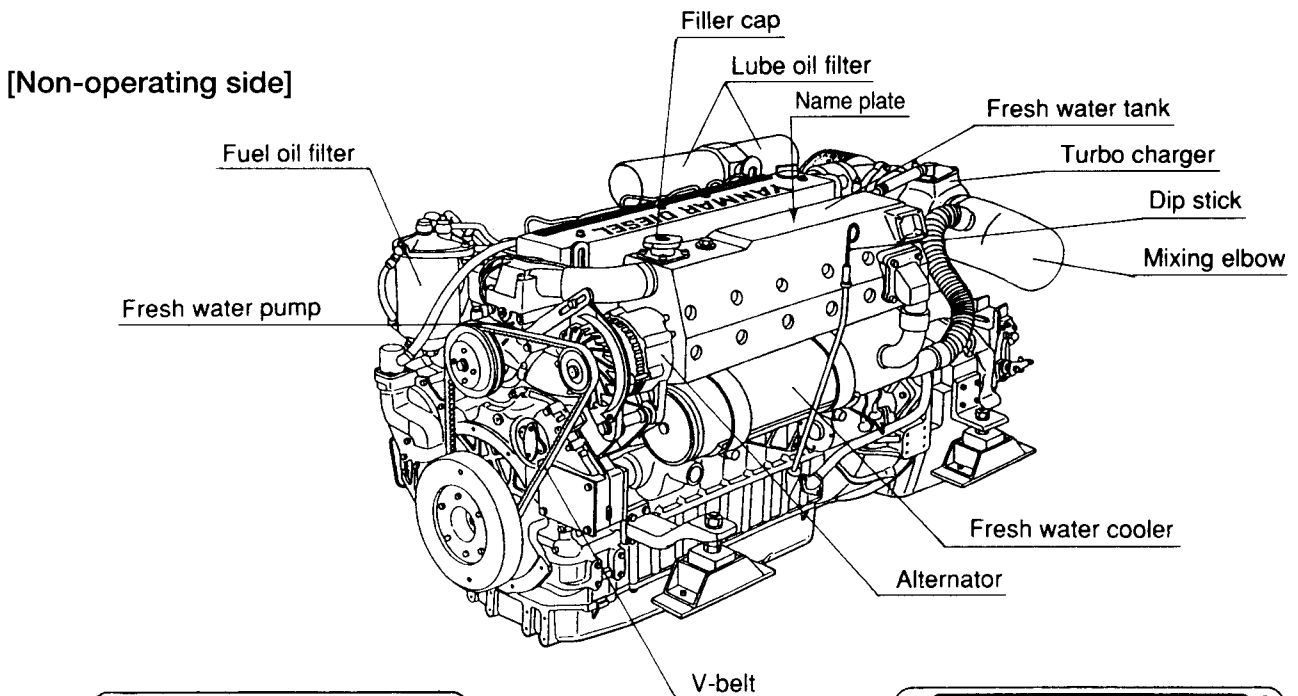
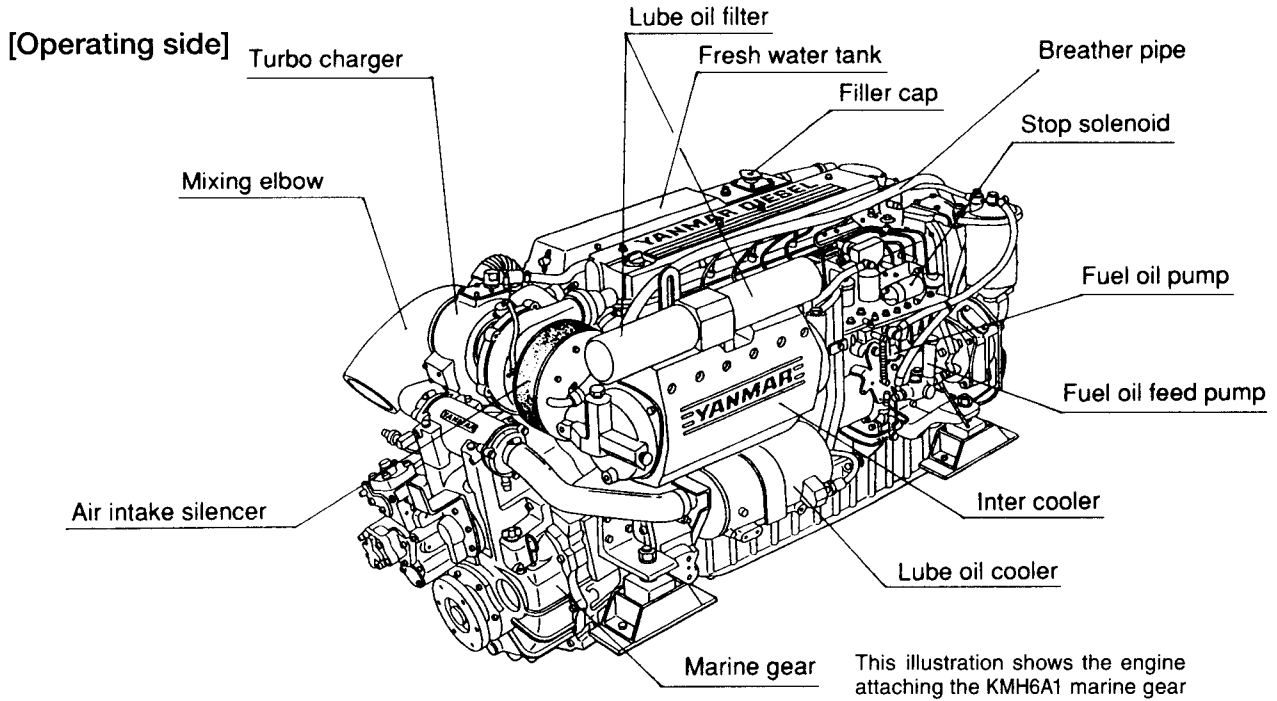
Also, replace labels when parts are replaced, ordering them in the same way as for the parts

Warning Device Labels, Parts Numbers

No.	Part Code No.
①	128296-07300
②	120324-07240
③	128296-07260
④	128296-07350

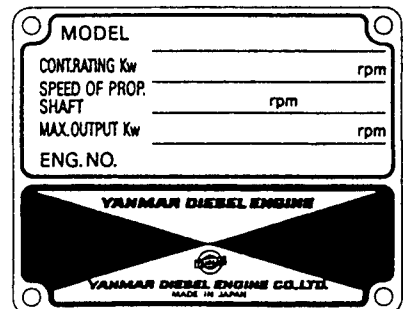


1. Exterior Views



For 6LY2A-STP/6LYA-STP

The name plate attached on the engine.



For 6LY2-STE

2. Specifications

●6LY2-STE

Engine model		6LY2-STE							
Type		Vertical water cooled 4-cycle diesel engine							
No. of cylinders		6							
Bore × Stroke	(mm)	φ105.9 × 110							
Displacement	(ℓ)	5.813							
Max. output at crankshaft	kw(hp)/rpm.	309(420)/3300							
Cont. rating output at crankshaft.	kw(hp)/rpm.	257(350)/3100							
High idling	(rpm)	3720±25							
Low idling	(rpm)	700±25							
Combustion system		Direct injection							
Starting system		Electric starting							
Cooling system		Fresh water cooling							
Lubrication system		Totally enclosed and forced lubrication system with gear pump							
Direction of rotation		Counterclockwise when viewed from flywheel side							
Marine gear (Option)	Model	KMH6A1 (Optional)			※MG5061A (TWIN DISC made)				
	Type	10° Angle			7° Angle				
	Reduction ratio (Ahead/Astern)	Oil pressure, wet type, Multi-disc type			Oil pressure, wet type, Multi-disc type				
		1.58	1.92	2.26	1.13	1.54	1.75	2.00	2.47
Lube oil capacity	Engine (ℓ)	Full 20.0 / Effective 8.0							
	Marine gear (ℓ)	Full 4.0 / Effective 0.3 (For KMH6A1)							
Cooling water capacity	(ℓ)	20							
Subtank capacity	(ℓ)	1.5							
Turbocharger	Model	RHC7W (IHI made)							
	Type	Water cooled							
Dry weight	(kg)	642							
Recommended battery capacity		12V-120AH							
Recommended type of remote control handle		Single lever type (Option)							
Engine installation style		On the flexible engine mount							

(Note) 1. Rating condition : ISO 3046-1. 2. 1hp = 0.7355 kW.
※Local supply.

● 6LY2A-STP/6LYA-STP

Engine model			6LYA-STP	6LY2A-STP
Type	Vertical water cooled 4-cycle diesel engine			
No. of cylinders	6			
Bore × Stroke	mm	100×110		105.9×110
Displacement	ℓ	5.184		5.813
Fuel stop power at crankshaft	kw(hp)/rpm	*272 (370) / 3300 **264 (359) / 3300		*324 (440) / 3300 **315 (427) / 3300
Cont. power at crankshaft.	kw(hp)/rpm	213 (290) / 3100		257 (350) / 3100
High idling	rpm	3720±25		3670±25
Low idling	rpm	700±25		
Combustion system	Direct injection			
Starting system	Electric starting			
Cooling system	Fresh water cooling			
Lubrication system	Forced lubrication system with gear pump			
Direction of rotation (crankshaft)	Counter clockwise (viewed from flywheel side)			
Lube oil capacity	All	ℓ	20	
	Oil pan	ℓ	18(including oil filter capacity)(oil pan 16.4)	
Cooling water capacity	ℓ		Engine:20, Subtank :1.5	
Turbocharger	Model	RHC7W (IHI made)		
	Type	Water cooled turbine housing		
Dry mass(gear less)	kg	530	535	
Recommended battery capacity	12V×120Ah			
Recommended type of remote control handle	Single lever type			
Engine installation style	On the flexible engine mount			

(Note) 1. Rating condition : ISO 3046-1, 8665 2. 1hp = 0.7355 kW
3. Fuel condition : Density at 15°C = 0.860, Fuel oil temperature *: 25°C at the fuel injection pump inlet
**: ISO 8665 (Fuel oil temp. 40°C at the fuel injection pump inlet)

● Marine gear (Option)

● For 6LYA-STP

Model	KMH6A			HSW800A2				MG5050A					
Type	10° Angle			8° Angle				10° Angle					
		wet and multi-disc											
Reduction ratio	1.58	1.92	2.26	1.2	1.4	1.6	2.0	2.5	1.12	1.5	1.8	2.04	2.5
Lube oil capacity	Full	ℓ		4.0			Refer to the maker's manual						
	Effective	ℓ		0.3									

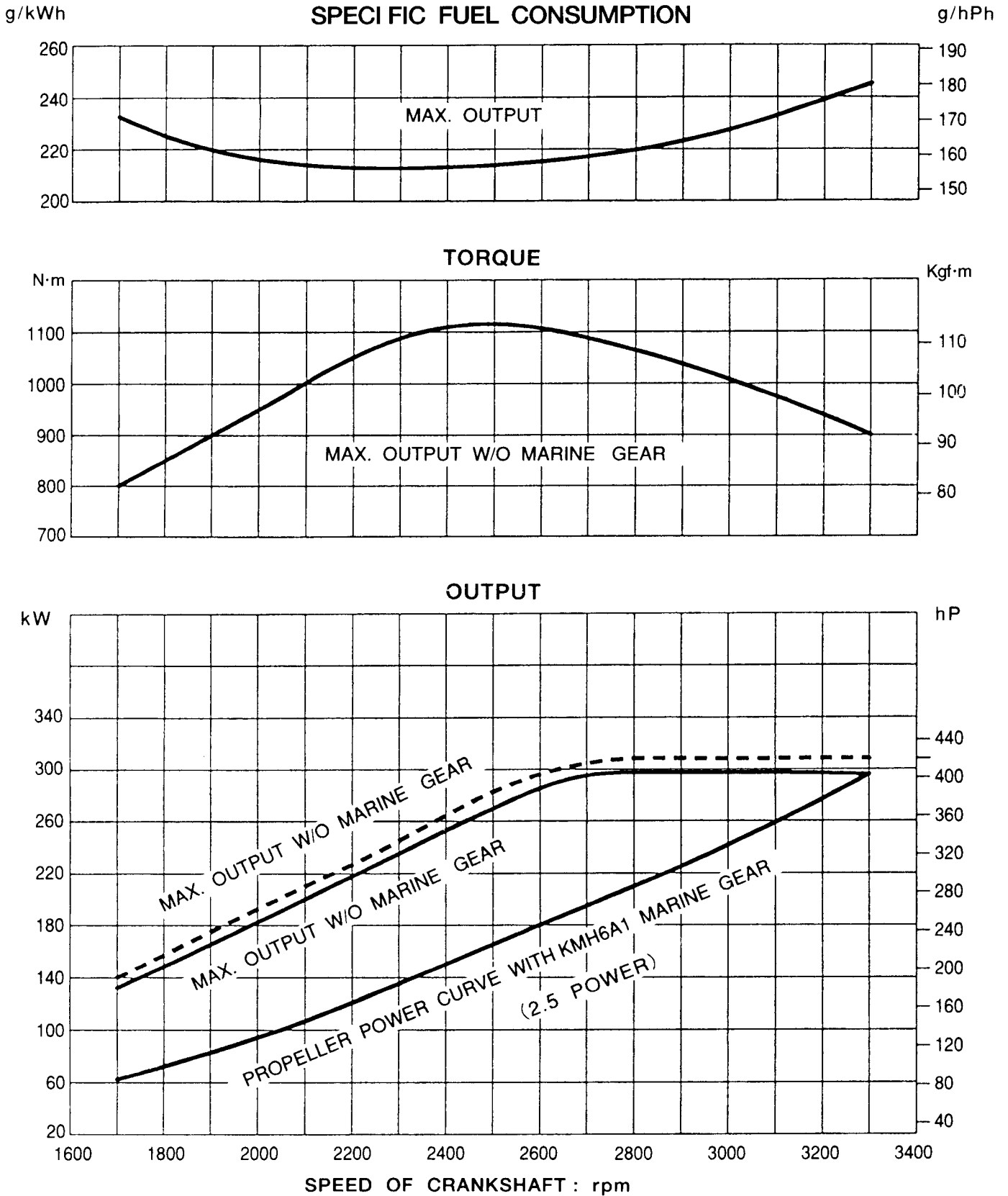
● For 6LY2A-STP

Model	KMH6A1			MG5061A				
Type	10° Angle			7° Angle				
		wet and multi-disc						
Reduction ratio	1.58	1.92	2.26	1.13	1.54	1.75	2.00	2.47
Lube oil capacity	Full	ℓ		4.0			Refer to the maker's manual	
	Effective	ℓ		0.3				

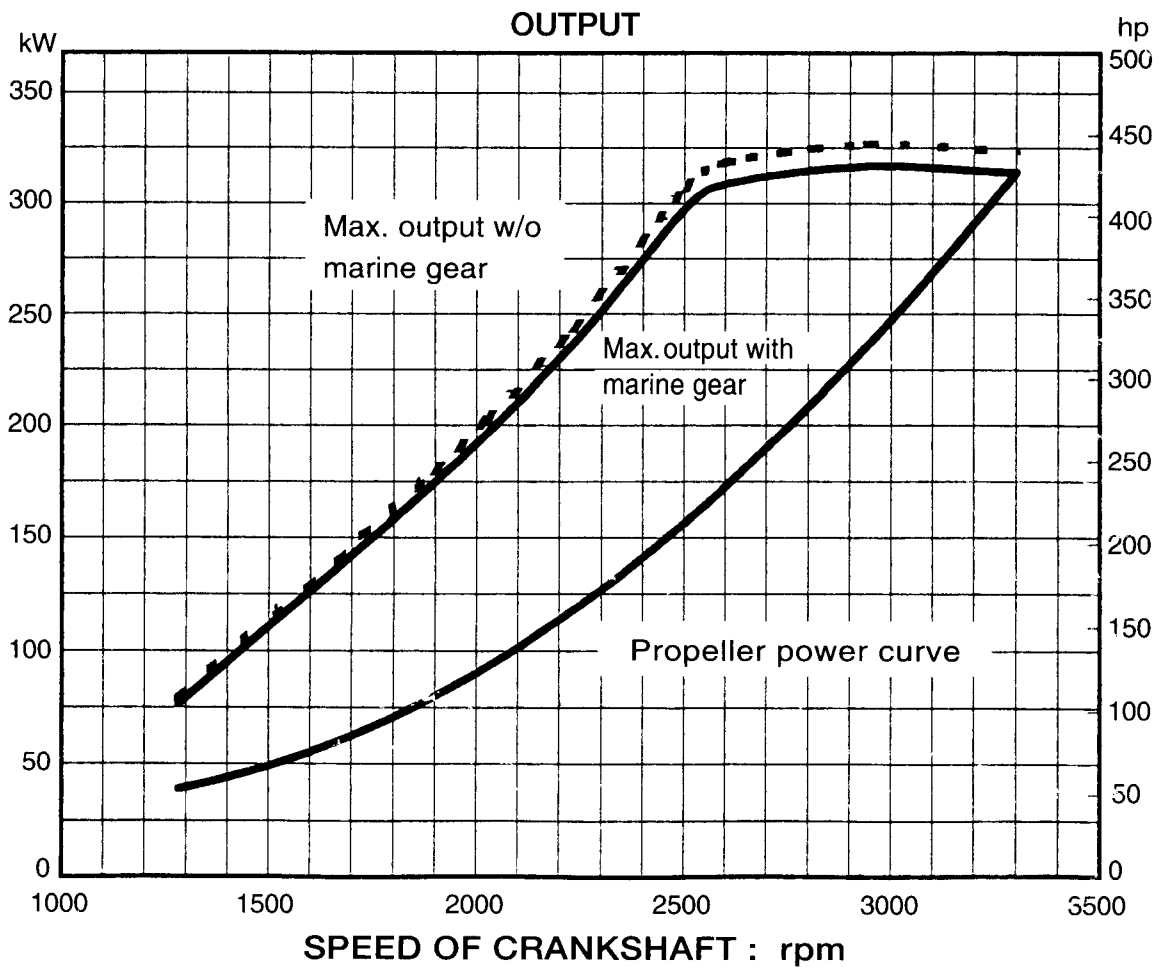
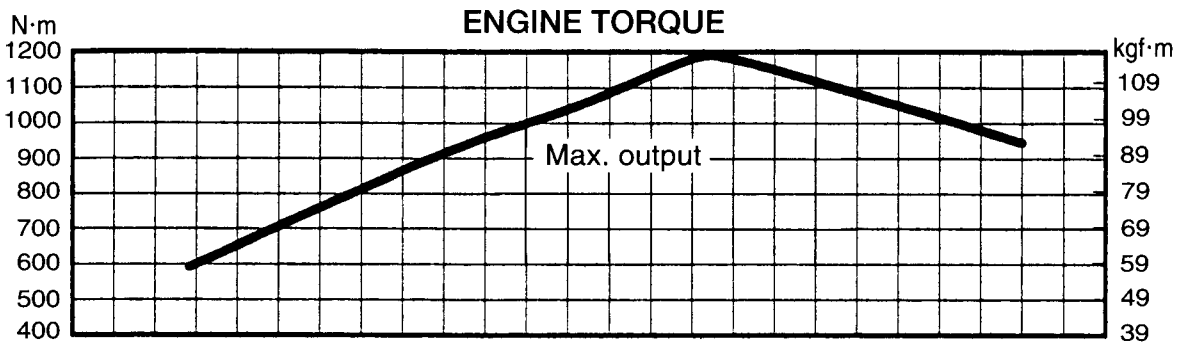
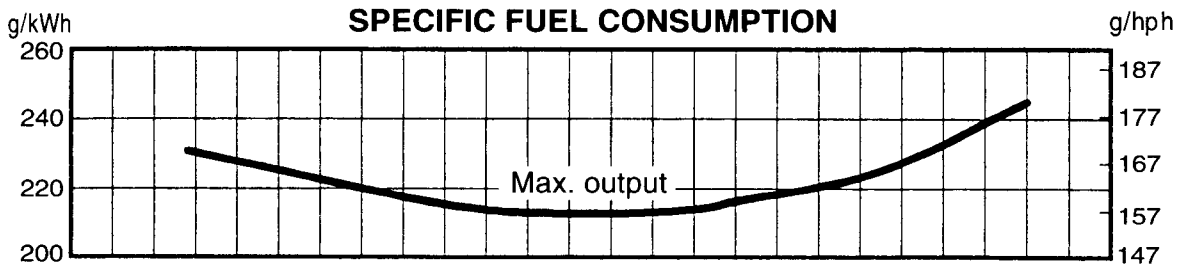
(Note)
Reduction ratio :
Both ahead and astern

3. Performance Curve

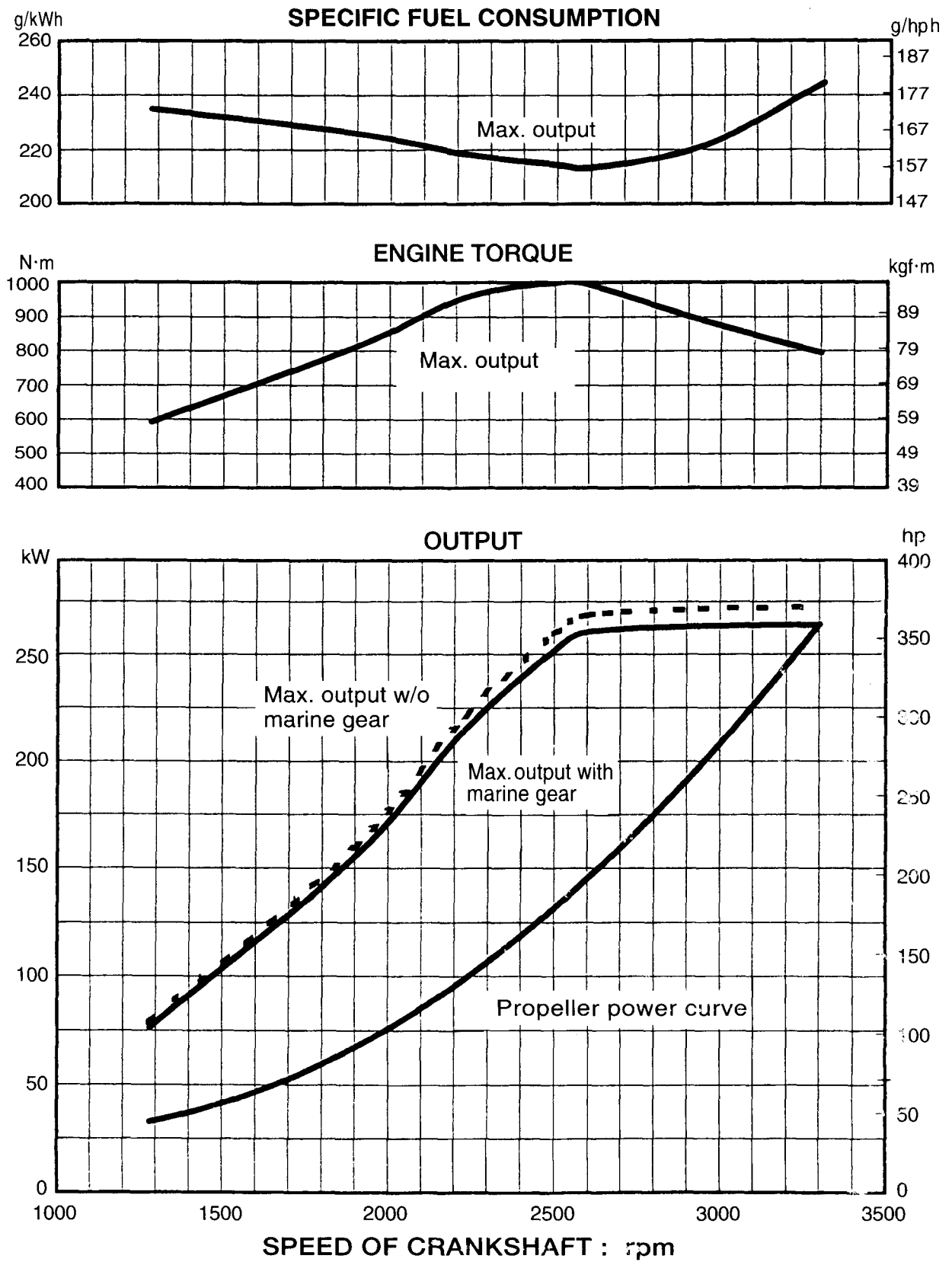
[6LY2-STE (Max. output : 309kW/3300rpm)]



[6LY2A-STP (Fuel stop power : 324kW/3300rpm)]

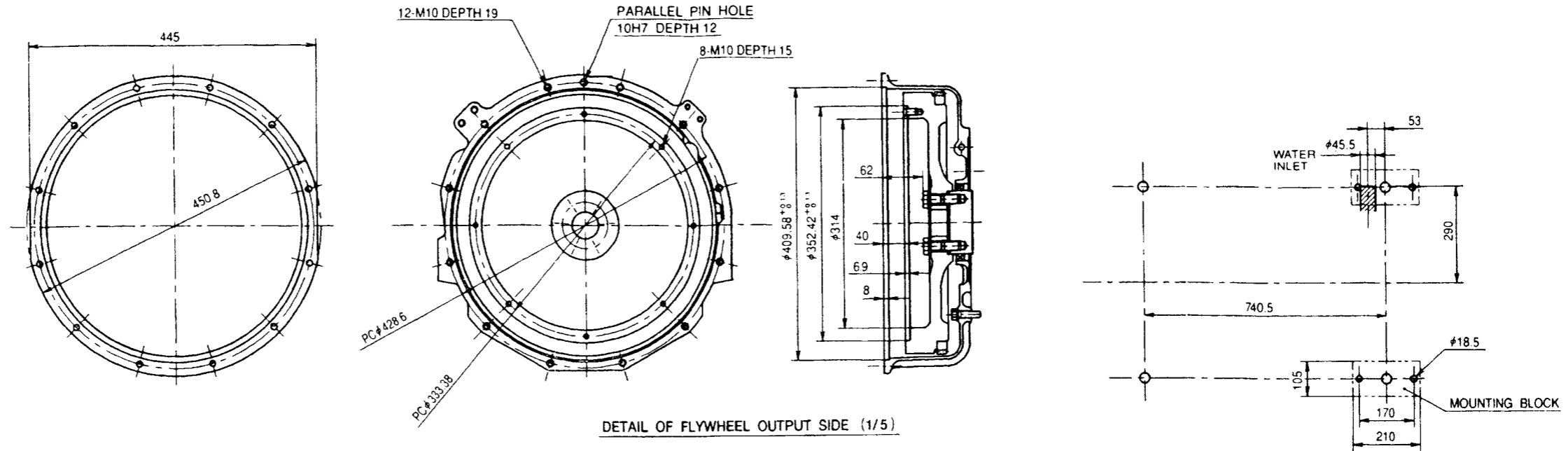


[6LYA-STP (Fuel stop power : 272kW/3300rpm)]



4. Dimensions

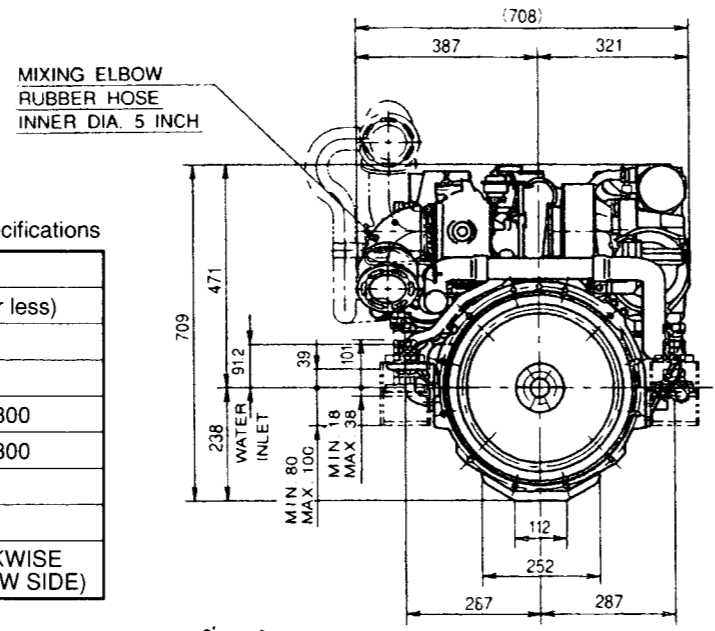
6LY2-STE
6LY2A-STP
6LYA-STP Outline



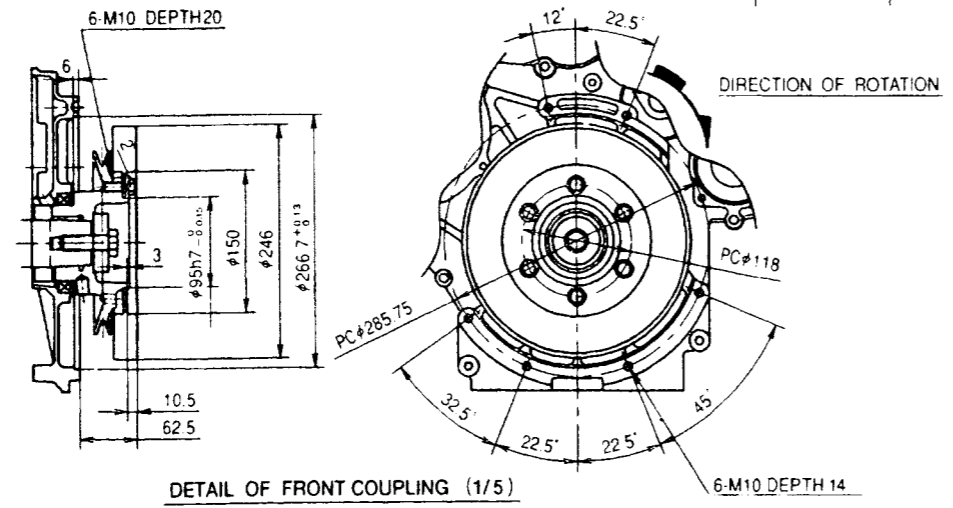
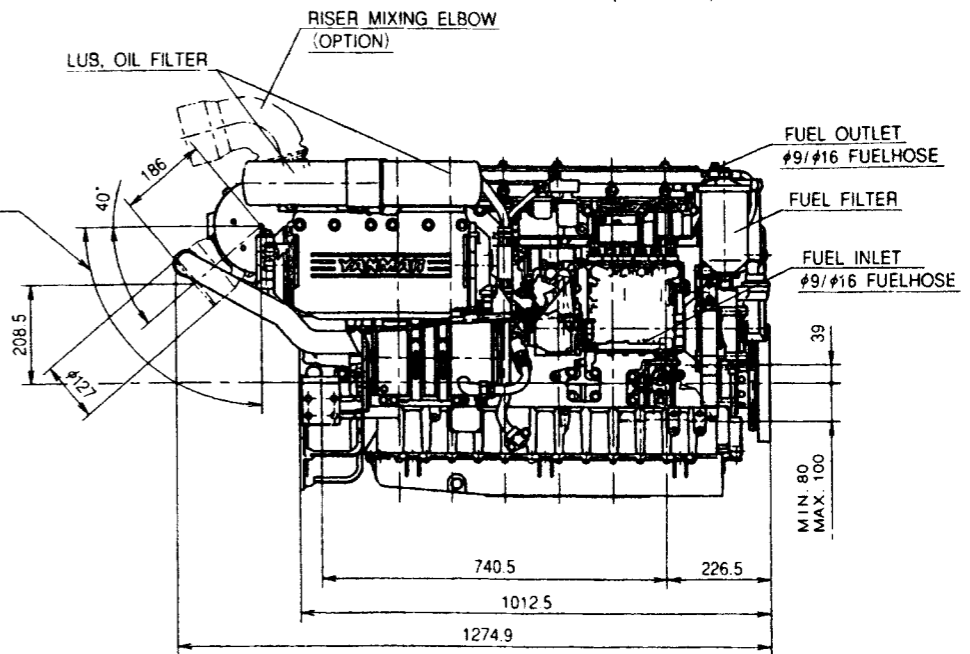
DETAIL OF FLYWHEEL OUTPUT SIDE (1/5)

***: See 2, Specifications

SPECIFICATIONS		
MODEL	6LYA-STP (Gear less)	
CONT. POWER (FLYWHEEL OUTPUT)	hp/rpm	290/3100
	kw/rpm	213/3100
FUEL STOP POWER (FLYWHEEL OUTPUT)	hp/rpm	*370, **359/3300
	kw/rpm	*272, **264/3300
NUMBER OF CYLINDER	6	
DRY MASS	kg	530
DIRECTION OF CRANKSHAFT ROTATION	COUNTER CLOCKWISE (VIEWED FROM F/W SIDE)	



DIRECTION OF ROTATION



DETAIL OF FRONT COUPLING (1/5)

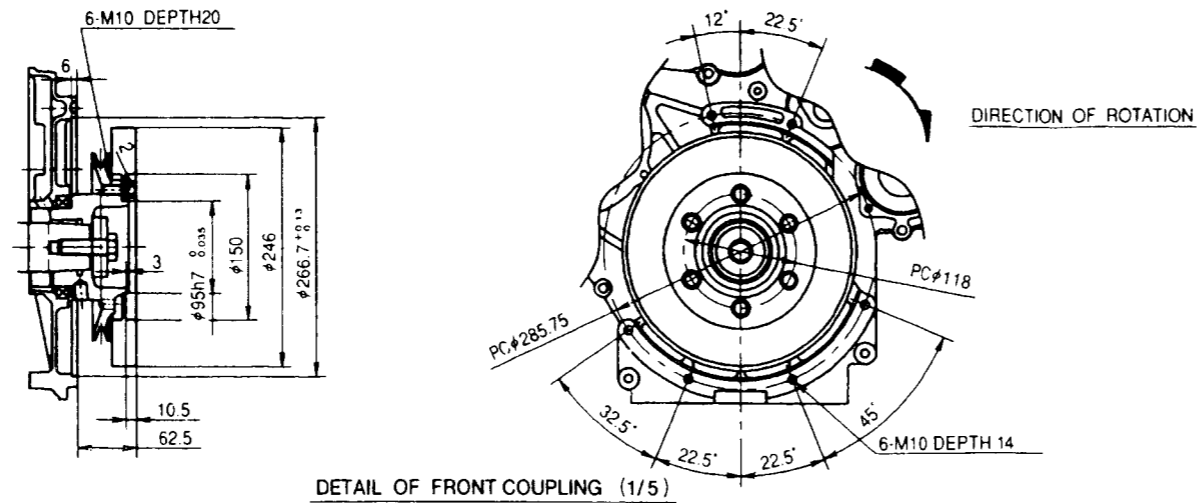
***: See 2, Specifications

SPECIFICATIONS		
MODEL	6LY2-STE	
CONT. RAITING OUTPUT (FLYWHEEL OUTPUT)	hp/rpm	350/3100
	kw/rpm	257/3100
MAX OUTPUT (FLYWHEEL OUTPUT)	hp/rpm	420/3300
	kw/rpm	309/3300
NUMBER OF CYLINDER	6	
DRY MASS	kg	535
DIRECTION OF CRANKSHAFT ROTATION	COUNTER CLOCKWISE AT FLYWHEEL SIDE	

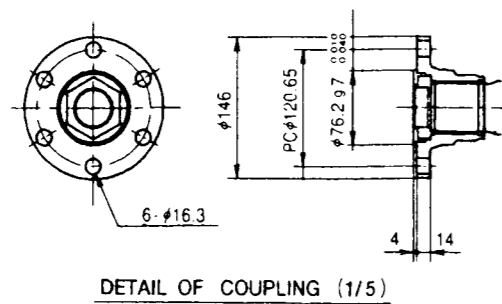
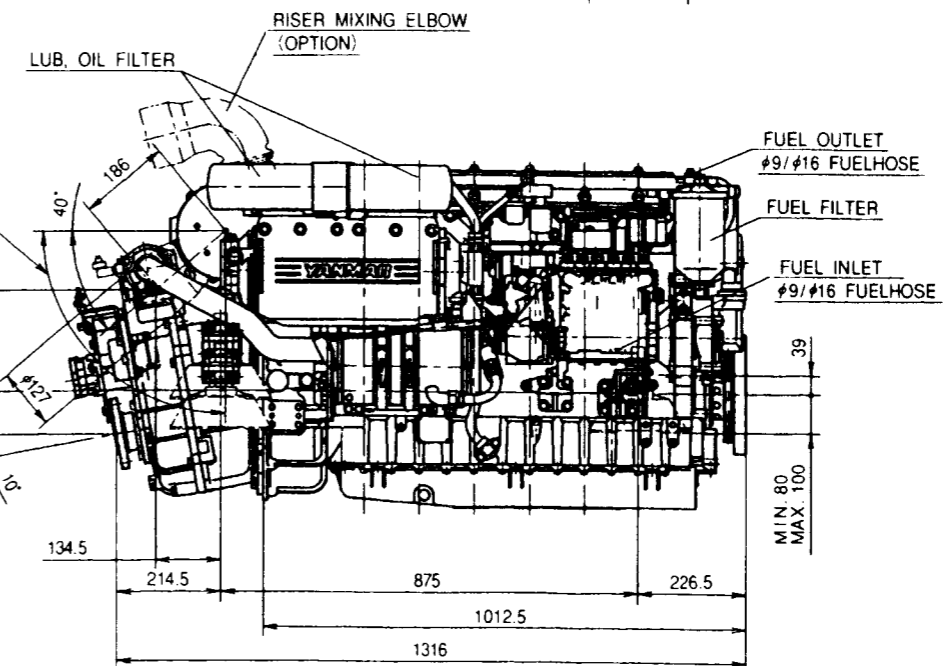
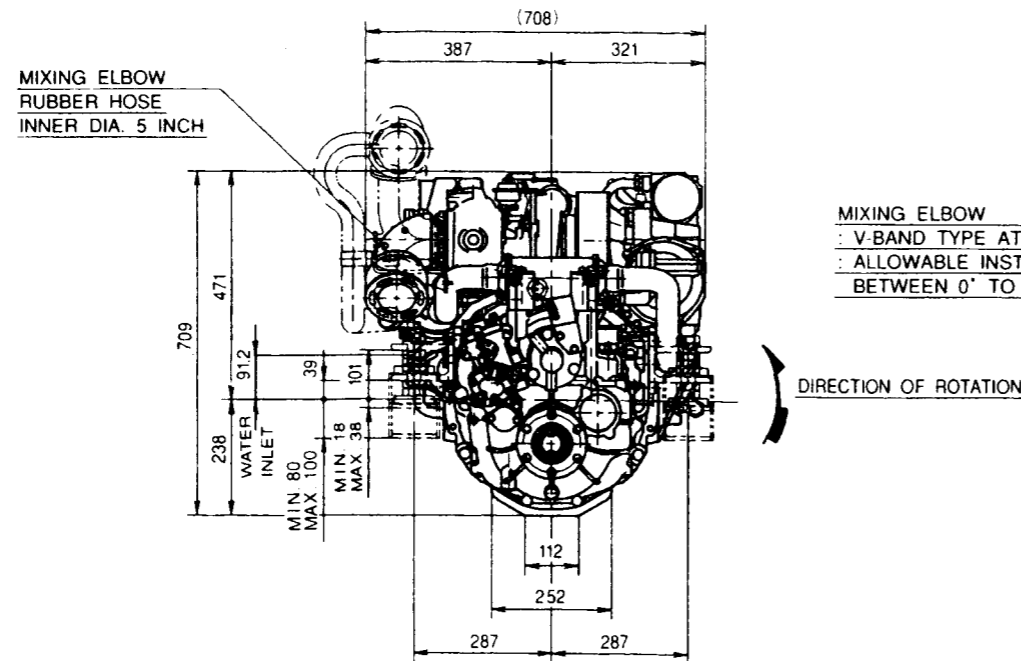
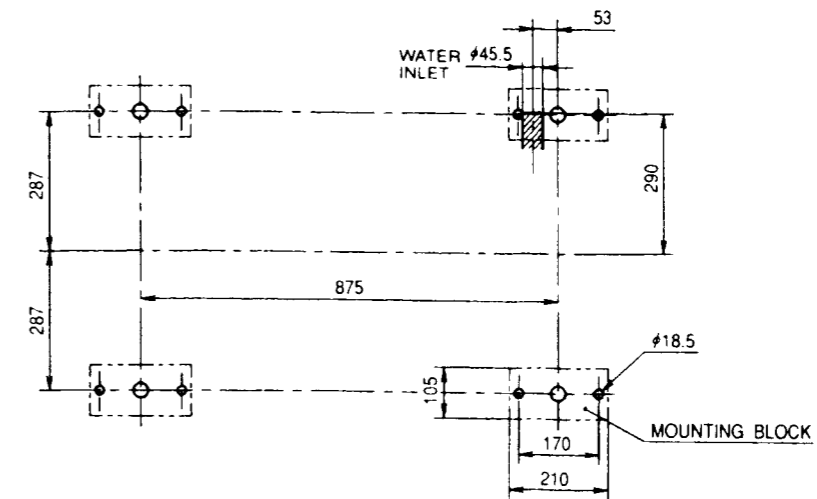
***: See 2, Specifications

SPECIFICATIONS		
MODEL	6LY2A-STP (Gear less)	
CONT. POWER (FLYWHEEL OUTPUT)	hp/rpm	350/3100
	kw/rpm	257/3100
FUEL STOP POWER (FLYWHEEL OUTPUT)	hp/rpm	*440, **427/3300
	kw/rpm	*324, **315/3300
NUMBER OF CYLINDER	6	
DRY MASS	kg	535
DIRECTION OF CRANKSHAFT ROTATION	COUNTER CLOCKWISE (VIEWED FROM F/W SIDE)	

[6LY2-STE/6LY2A-STP] Outline (KMH6A1 marine gear)



DETAIL OF FRONT COUPLING (1/5)



*, **: See 2, Specifications

SPECIFICATIONS		6LY2-STE		
MODEL		6LY2-STE		
CONT. RAITING OUTPUT (FLYWHEEL OUTPUT)	hp/rpm	350/3100		
	kw/rpm	257/3100		
MAX OUTPUT (FLYWHEEL OUTPUT)	hp/rpm	420/3300		
	kw/rpm	309/3300		
NUMBER OF CYLINDER		6		
REDUCTION RATIO (BOTH AHEAD AND ASTERN)		1.58	1.92	2.26
DRY MASS	kg	637		
DIRECTION OF CRANKSHAFT ROTATION		COUNTER CLOCKWISE (VIEWED FROM F/W SIDE)		

SPECIFICATIONS		6LY2A-STP		
MODEL		6LY2A-STP		
CONT. POWER (FLYWHEEL OUTPUT)	hp/rpm	350/3100		
	kw/rpm	257/3100		
FUEL STOP POWER (FLYWHEEL OUTPUT)	hp/rpm	*440, **427/3300		
	kw/rpm	*324, **315/3300		
NUMBER OF CYLINDER		6		
REDUCTION RATIO (BOTH AHEAD AND ASTERN)		1.58	1.92	2.26
DRY MASS	kg	637		
DIRECTION OF CRANKSHAFT ROTATION		COUNTER CLOCKWISE (VIEWED FROM F/W SIDE)		