

PARTS CATALOGUE

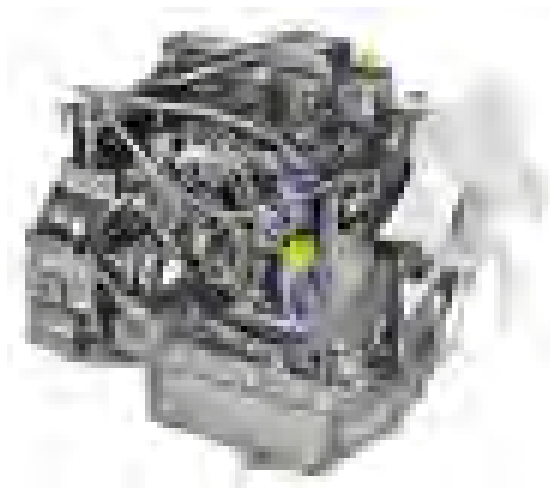
RESERVDELS KATALOG

ERSATZTEIL KATALOG

CATALOGUE DE PIECES

YANMAR
YANMAR DIESEL ENGINE
TNV SERIES

4TNV84T-GGE



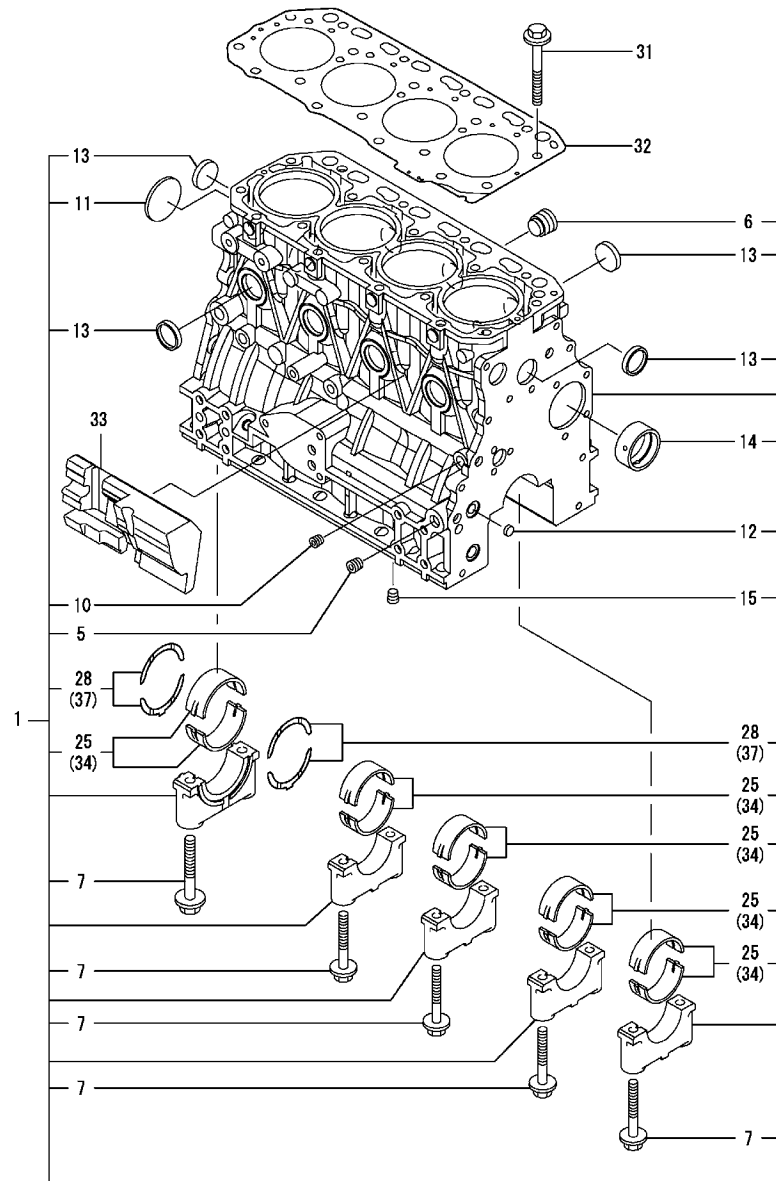
CONTENTS

Fig.No. GROUP NAME

ENGINE SECTION

- 1. CYLINDER BLOCK**
- 2. GEAR HOUSING 4TNV84T-DSA,DSA2,DSA3**
- 3. GEAR HOUSING 4TNV84T-GGE**
- 4. FLYWHEEL HOUSING & OIL SUMP**
- 5. CYLINDER HEAD & BONNET**
- 6. SUCTION MANIFOLD**
- 7. EXHAUST MANIFOLD**
- 8. CAMSHAFT & DRIVING GEAR**
- 9. TURBINE**
- 10. CRANKSHAFT & PISTON**
- 11. LUB.OIL SYSTEM**
- 12. LUB OIL LINE**
- 13. COOLING WATER SYSTEM**
- 14. FUEL INJECTION PUMP 4TNV84T-DSA,DSA2,DSA3**
- 15. FUEL INJECTION PUMP 4TNV84T- GGE**
- 16. FUEL INJECTION VALVE 4TNV84T-DSA,DSA2,DSA3**
- 17. FUEL INJECTION VALVE 4TNV84T- GGE**
- 18. FUEL LINE**
- 19. STARTING MOTOR 4TNV84T-DSA,DSA2,DSA3**
- 20. STARTING MOTOR 4TNV84T- GGE**
- 21. GENERATOR**
- 22. GASKET SET**
- 23. FUEL INJECTION PUMP (INNER PARTS) 4TNV84T-DSA,DSA2,DSA3**
- 24. GOVERNOR (INNER PARTS) 4TNV84T-DSA,DSA2,DSA3**
- 25. FUEL INJECTION PUMP (INNER PARTS) 4TNV84T- GGE**
- 26. GOVERNOR (INNER PARTS) 4TNV84T- GGE**

Fig.1. CYLINDER BLOCK



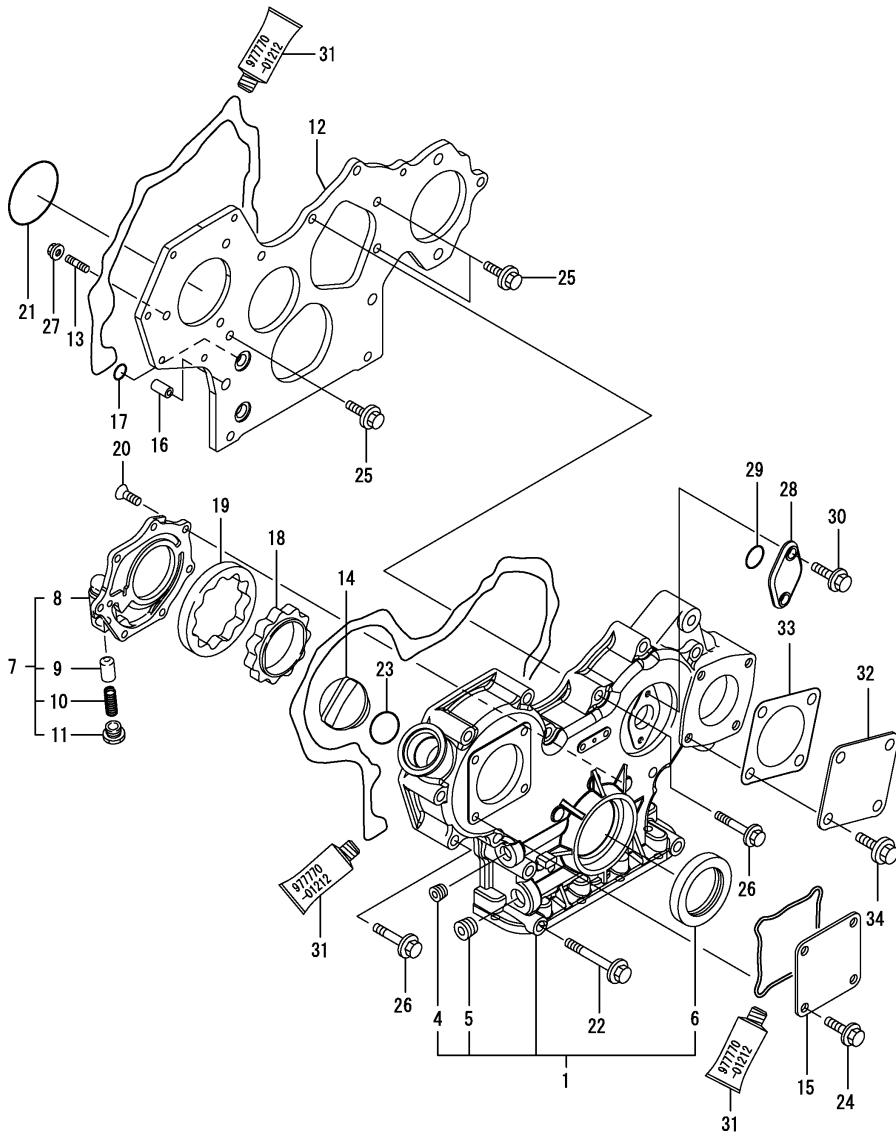
(A)=4TNV84T-DSA (D)=4TNV84T-GGE
 (B)=4TNV84T-DSA2 (E)=
 (C)=4TNV84T-DSA3 (F)=

REF.	LEV.	PARTS NO.	DESCRIPTION	Q'TY						I	R
				(A)	(B)	(C)	(D)	(E)	(F)		
1	1	729508-01560	BLOCK ASSY, CYLINDER	1	1	1	1				
5	2	124160-01910	PLUG PT1/4	2	2	2	2				
6	2	171051-01921	PLUG	1	1	1	1				
7	2	129150-02020	BOLT, METAL CAP	10	10	10	10				
10	2	124060-01050	PLUG PT1/8	1	1	1	1				
11	2	129001-01250	PLUG 50	1	1	1	1				
12	2	27241-120000	PLUG 12	2	2	2	2				
13	2	27241-300000	PLUG 30	8	8	8	8				
14	2	129795-02411	BUSH, CAMSHAFT	1	1	1	1				
15	2	124160-01910	PLUG PT1/4	1	1	1	1				
25	2	129001-02930	MAIN BEARING SET	5	5	5	5				3
28	2	129150-02930	METAL, THRUST	2	2	2	2				
31	1	129150-01200	STUD, CYL. HEAD	18	18	18	18				
32	1	129508-01330	GASKET, HEAD	1	1	1	1				
33	1	129004-01190	SPACER	1	1	1	1				
34	1	129150-02870	MAIN METAL US=0.25	5	5	5	5				1
37	1	129150-02940	METAL,THRUST.25(2PIE	1	1	1	1				2

Remarks
 (1) UNDER-SIZE(U.S=0.25)PART.
 (2) OVER-SIZE(O.S=0.25)PART.
 (3) REPAIR PART.

(A)=4TNV84T-DSA (D)=4TNV84T-GGE
 (B)=4TNV84T-DSA2 (E)=
 (C)=4TNV84T-DSA3 (F)=

Fig.2. GEAR HOUSING



REF.	LEV.	PARTS NO.	DESCRIPTION	Q'TY						I	R
				(A)	(B)	(C)	(D)	(E)	(F)		
1	1	729508-01520	GEAR CASE ASSY	1	1	1					
4	2	23876-030000	PLUG PT3/8,SCREW	1	1	1					
5	2	23876-040000	PLUG PT 1/2	1	1	1					
6	2	129795-01800	SEAL, OIL	1	1	1					
7	1	119802-32100	COVER ASSY, PUMP	1	1	1					
8	2	119802-32070	COVER, LUB.OIL PUMP	1	1	1					
9	2	129900-32130	VALVE, RELIEF	1	1	1					
10	2	129418-32320	SPRING	1	1	1					
11	2	129001-32330	PLUG	1	1	1					
12	1	129005-01520	FLANGE, GEAR CASE	1	1	1					
13	1	119802-01560	STUD, M8X25	3	3	3					
14	1	124160-01751	COVER,FILLER	1	1	1					
15	1	124240-01871	COVER, HO-P	1	1	1					
16	1	129795-01950	PIPE, KNOCK L=18	2	2	2					
17	1	119609-32040	O-RING P16	4	4	4					
18	1	129508-32111	ROTOR, INNER	1	1	1					
19	1	129508-32120	ROTOR, OUTER	1	1	1					
20	1	119802-32130	SCREW, M6X16	7	7	7					
21	1	121850-51960	O-RING, F.I.PUMP	1	1	1					
22	1	129001-91841	BOLT M 8X 85 PLATED	3	3	3					
23	1	24311-000320	O-RING 1A P-32.0	1	1	1					
24	1	26106-080162	BOLT M 8X 16 PLATED	4	4	4					
25	1	26106-080162	BOLT M 8X 16 PLATED	3	3	3					
26	1	26106-080552	BOLT M 8X 55 PLATED	11	11	11					
27	1	26306-080002	NUT	3	3	3					
28	1	121023-01550	COVER, BLIND	1	1	1					
29	1	24341-000240	O-RING 1A S-24.0	1	1	1					
30	1	26106-060162	BOLT M 6X 16 PLATED	2	2	2					
31	1	977770-01212	GASKET, LIQUID	1	1	1					1
32	1	124240-01871	COVER, HO-P	1	1	1					
33	1	124240-01883	GASKET, (NON-ASB.)	1	1	1					
34	1	26106-080162	BOLT M 8X 16 PLATED	4	4	4					

Remarks
 (1) OPTIONAL PART.

N:Old ↔ New, Q:Old ↔ New, R:Old ↔ New, S:Old ↔ New, W:Add, Z:Discontinued, F:Set Change, K:Q'ty Change
 (C)Copy Rights YANMAR CO.,LTD and YANMAR AGRICULTURAL EQUIPMENT CO.,LTD.