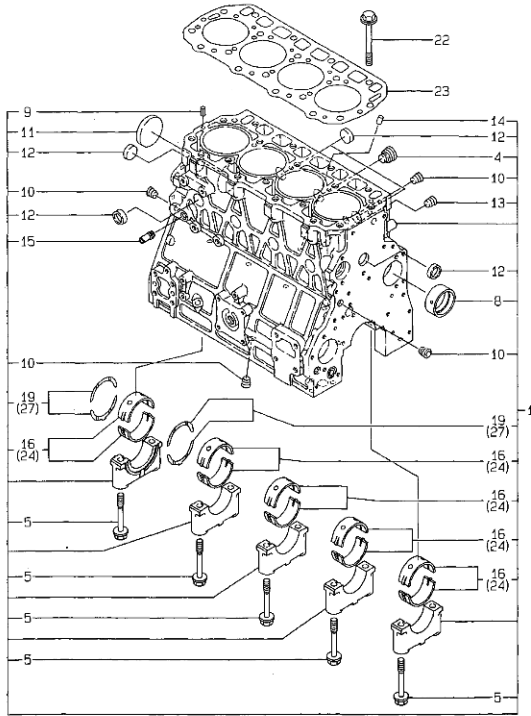


# Yanmar 4tne106t G1a Engine Parts Catalog

Full download: <http://manualplace.com/download/yanmar-4tne106t-g1a-engine-parts-catalog/>

Y00R5270

Fig.1. CYLINDER BLOCK



Remarks  
 (1) UNDER-SIZE(U.S=0.25)PART.  
 (2) OVER-SIZE(O.S=0.25)PART.

## Y00R5270 1. CYLINDER BLOCK

(A)=4TNE106-SA (D)=4TNE106T-G1A  
 (B)=4TNE106-G1A (E)=  
 (C)=4TNE106T-SA (F)=

REF.	LEV.	PARTS NO.	DESCRIPTION	QTY						I	R
				(A)	(B)	(C)	(D)	(E)	(F)		
1	1	723900-01560	BLOCK ASSY, CYLINDER	1	1	1	1	1	1		
4	2	171051-01921	PLUG	1	1	1	1	1	1		
5	2	123900-02020	BOLT,CAP,MAIN-BEARIN	10	10	10	10				
8	2	123900-02410	BUSH	1	1	1	1	1	1		
9	2	22351-060012	SPRING PIN 6X12	2	2	2	2	2	2		
10	2	23875-030000	PLUG PT3/8,STEEL	4	4	4	4	4	4		
11	2	27231-700000	PLUG 70	1	1	1	1	1	1		
12	2	27241-300000	PLUG 30	8	8	8	8	8	8		
13	2	23875-030000	PLUG PT3/8,STEEL	1	1	1	1	1	1		
14	2	27225-120160	PLUG 12*16	1	1	1	1	1	1		
15	2	121851-11970	JOINT, PIPE	1	1	1	1	1	1		
16	2	123900-02800	BEARING ASSY, MAIN	5	5	5	5	5	5		
19	2	123900-02930	BEARING ASSY, THRUST	2	2	2	2	2	2		
22	1	119174-01200	BOLT, CYLINDER HEAD	18	18	18	18	18	18		
23	1	123900-01340	GASKET, HEAD	1	1	1	1	1	1		
24	1	123900-02340	MAIN BEARING US=0.25	5	5	5	5	5	5		1
27	1	123900-02940	BEARING,THRUST .25OS	2	2	2	2	2	2		2

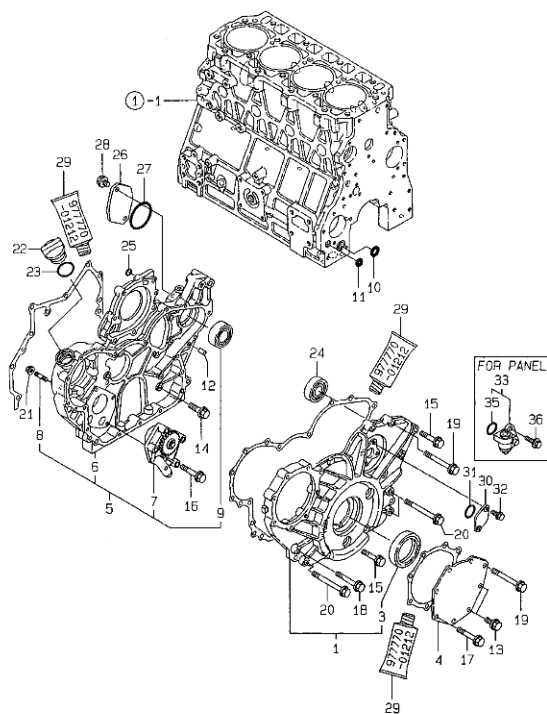
(C)Copy Rights YANMAR CO.,LTD and YANMAR AGRICULTURAL EQUIPMENT CO.,LTD.

# Yanmar 4tne106t G1a Engine Parts Catalog

Full download: <http://manualplace.com/download/yanmar-4tne106t-g1a-engine-parts-catalog/>

Y00R5270

Fig.2. GEAR HOUSING



Remarks  
(1) OPTIONAL PART.

## Y00R5270 2. GEAR HOUSING

(A)=4TNE106-SA (D)=4TNE106T-G1A  
(B)=4TNE106-G1A (E)=  
(C)=4TNE106T-SA (F)=

REF.	LEV.	PARTS NO.	DESCRIPTION	QTY						I	R
				(A)	(B)	(C)	(D)	(E)	(F)		
1	1	723900-01570	HOUSING ASSY,COVER,G	1	1	1	1	1	1		
3	2	123900-01780	OIL SEAL	1	1	1	1	1	1		
4	1	123900-01740	COVER, FIP	1	1	1	1	1	1		
5	1	123900-01830	GEAR CASE ASSY	1	1	1	1	1	1		
6	2	123900-01500	HOUSING,GEARS	1	1	1	1	1	1		
7	2	123900-32001	PUMP ASSY, L.O.	1	1	1	1	1	1		
8	2	26216-100302	STUD BOLT	4	4	4	4	4	4		
9	2	24101-062060	BALL BEARING	1	1	1	1	1	1		
10	1	129900-32030	O-RING P20	1	1	1	1	1	1		
11	1	129900-32040	O-RING P14	1	1	1	1	1	1		
12	1	22312-080160	PARALLEL PIN 8X 16	4	4	4	4	4	4		
13	1	26106-080202	BOLT M 8X 20 PLATED	2	2	2	2	2	2		
14	1	26106-080202	BOLT M 8X 20 PLATED	5	5	5	5	5	5		
15	1	26106-080402	BOLT M 8X 40 PLATED	6	6	6	6	6	6		
16	1	26106-080452	BOLT M 8X 45 PLATED	4	4	4	4	4	4		
17	1	26106-080452	BOLT M 8X 45 PLATED	5	5	5	5	5	5		
18	1	26106-080502	BOLT M 8X 50 PLATED	1	1	1	1	1	1		
19	1	26106-080702	BOLT M 8X 70 PLATED	5	5	5	5	5	5		
20	1	26106-080802	BOLT M 8X 80 PLATED	3	3	3	3	3	3		
21	1	26366-100002	NUT M10	4	4	4	4	4	4		
22	1	124160-01751	COVER,FILLER	1	1	1	1	1	1		
23	1	24311-000320	O-RING 1A P-32.0	1	1	1	1	1	1		
24	1	24101-062060	BALL BEARING	1	1	1	1	1	1		
25	1	24311-000110	O-RING 1A P-11.0	1	1	1	1	1	1		
26	1	121023-26070	COVER, HO-P	1	1	1	1	1	1		
27	1	24321-000850	O-RING 1A G-85.0	1	1	1	1	1	1		
28	1	26106-100222	BOLT M10X 22 PLATED	2	2	2	2	2	2		
29	1	977770-01212	GASKET, LIQUID	1	1	1	1	1	1		1
30	1	121023-01550	COVER, BLIND	1	1	1	1	1	1		
31	1	24341-000240	O-RING 1A S-24.0	1	1	1	1	1	1		
32	1	26106-060162	BOLT M 6X 16 PLATED	2	2	2	2	2	2		
33	1	129150-91400	GEAR UNIT,TACHOMETER	1	1	1	1	1	1		
35	2	24341-000240	O-RING 1A S-24.0	1	1	1	1	1	1		
36	1	26106-060162	BOLT M 6X 16 PLATED	2	2	2	2	2	2		

(C)Copy Rights YANMAR CO.,LTD and YANMAR AGRICULTURAL EQUIPMENT CO.,LTD.