

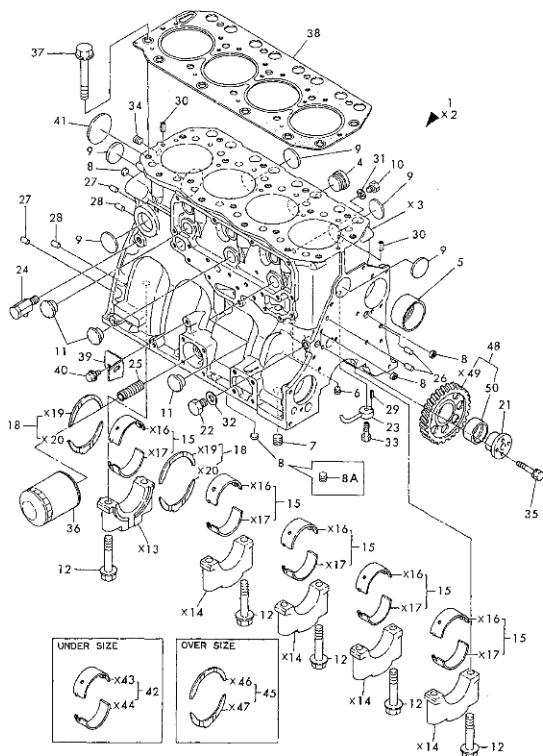
# Yanmar 4tn100te G1a Engine Parts Catalog

Full download: <http://manualplace.com/download/yanmar-4tn100te-g1a-engine-parts-catalog/>

Y00S2993

Fig.1. CYLINDER BLOCK

Fig. 1 CYLINDER BLOCK



Remarks  
 (1) UNDER-SIZE(U.S=0.25) PART.  
 (2) OVER-SIZE(O.S=0.25) PART.

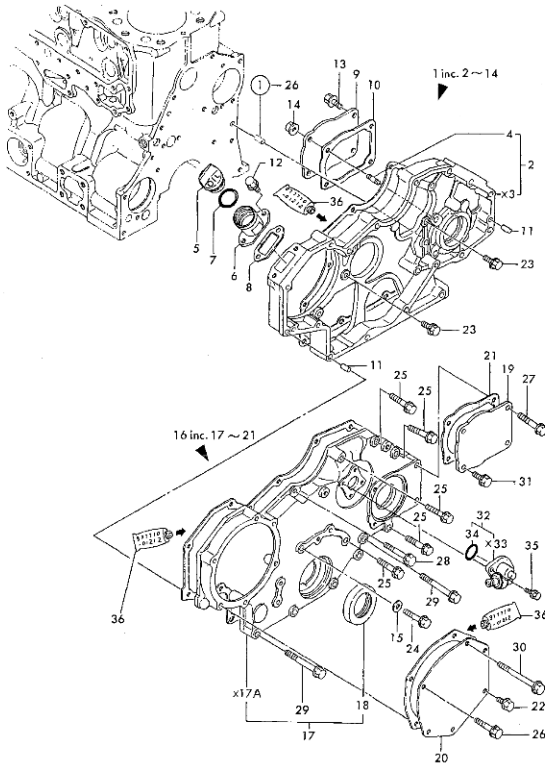
## Y00S2993 1. CYLINDER BLOCK

(A)=4TN100E-GB1 (D)=  
 (B)=4TN100TE-GB1 (E)=  
 (C)=4T112TLE-GB1 (F)=

REF.	LEV.	PARTS NO.	DESCRIPTION	QTY						I	R
				(A)	(B)	(C)	(D)	(E)	(F)		
1	1	719129-01560	BLOCK ASSY, CYLINDER	1	1						
4	3	171051-01921	PLUG	1	1						
5	3	119000-02410	BUSH, CAMSHAFT	1	1						
6	3	23871-010000	PLUG PT1/8.SCREW	1	1						
7	3	23871-030000	PLUG PT3/8.SCREW	1	1						
8	3	27241-140000	PLUG 14	4	4						
8-1	3	27241-140000	PLUG 14	3	3						K
(A=E# 07152) (B=E# 04420)											
8A	3	119000-01880	SETScrew,OIL GALLERY	1	1						W
(A=E# 07152) (B=E# 04420)											
9	3	27241-400000	PLUG 40	5	5						
9-1	3	119593-01870	PLUG,CUP	5	5						R
(A=E# 06692) (B=E# 04034)											
10	2	135400-01790	PLUG	1	1						
11	2	119000-01840	PLUG 25,RUBBER	3	3						
12	2	119000-02020	BOLT, METAL CAP	10	10						
15	2	719000-02800	BEARING, MAIN	5	5						
18	2	719000-02930	BEARING, THRUST	2	2						
21	2	119000-25050	SHAFT, IDLE GEAR	1	1						
22	2	135602-34390	RETAINER	1	1						
23	2	119000-39650	NOZZLE, PISTON JET	4	4						
24	2	119620-49290	COCK ASSY 1/4	1	1						
25	2	119000-35140	STUD, LUB.OIL FILTER	1	1						
26	2	129100-01580	PARALLEL PIN 8X16	2	2						
27	2	129100-01580	PARALLEL PIN 8X16	2	2						
28	2	129100-01580	PARALLEL PIN 8X16	2	2						
29	2	22351-030010	SPRING PIN 3X10	4	4						
30	2	22351-080016	SPRING PIN 8X16	2	2						
31	2	23414-100000	GASKET 10, ROUND	1	1						
32	2	23414-140000	GASKET 14, ROUND	1	1						
33	2	23857-030000	JOINT BOLT 3	4	4						
34	2	23871-020000	PLUG PT1/4.SCREW	1	1						
35	2	26013-080452	BOLT M 8X 45	2	2						
36	1	119100-35100	STRAINER	1	1						
36-1	1	119005-35100	STRAINER 80X100,LO.	1	1						R
(A=E# 02414) (B=E# 01858)											
37	1	119000-01200	BOLT, CYLINDER HEAD	18	18						
38	1	119100-01311	GASKET, HEAD T=1.3	1	1						
38-1	1	119100-01340	GASKET, HEAD T=1.3	1	1						R
(A=E# 01691) (B=E# 00812)											
39	1	119100-01580	RETAINER	1	1						
40	1	26106-080162	BOLT M 8X 16 PLATED	2	2						
41	1	27231-600000	PLUG 60	1	1						
42	1	719000-02870	MAIN BEARING 0.25U.S	5	5						1
45	1	719000-02940	THRUST BEARING .25OS	2	2						2
48	1	119000-25100	GEAR ASSY, IDLE	1	1						
50	2	119000-25060	BUSH, IDLE GEAR	1	1						

Fig.2. GEAR HOUSING

Fig. 2 GEAR HOUSING



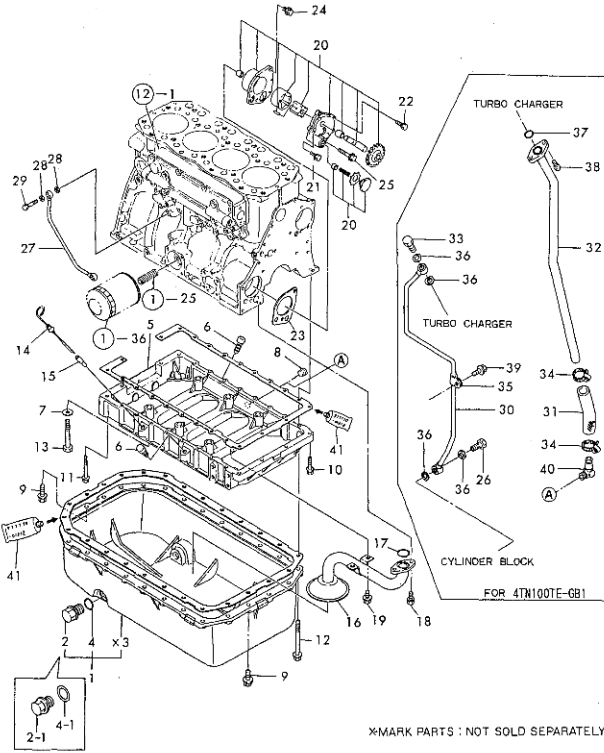
Remarks  
(1) OPTIONAL PART.

(A)=4TN100E-GB1 (D)=  
(B)=4TN100TE-GB1 (E)=  
(C)=4T112TLE-GB1 (F)=

REF.	LEV.	PARTS NO.	DESCRIPTION	QTY						I	R
				(A)	(B)	(C)	(D)	(E)	(F)		
1	1	719129-01610	HOUSING ASSY, GEAR	1	1						
2	2	719129-01500	COVER ASSY	1	1						
4	3	121850-01920	STUD M 8X 22	2	2						
5	2	124160-01751	CAP, LUB.OIL SUPPLY	1	1						
6	2	119000-01760	FLANGE	1	1						
7	2	121420-01760	O-RING	1	1						
7-1	2	24311-000320	O-RING 1A P-32.0	1	1						N
		(A=E/# 02702) (B=E/# 02083)									
8	2	119000-01770	GASKET, FLANGE	1	1						
8-1	2	119000-01771	GASKET, (NON ASB.)	1	1						N
		(A=E/# 02713) (B=E/# 02136)									
9	2	124610-01851	COVER	1	1						
10	2	124610-01861	GASKET, COVER	1	1						
10-1	2	124610-01862	GASKET, (NON-ASB.)	1	1						N
		(A=E/# 02713) (B=E/# 02136)									
11	2	129100-01580	PARALLEL PIN 8X16	2	2						
12	2	26106-080202	BOLT M 8X 20 PLATED	2	2						
13	2	26106-080202	BOLT M 8X 20 PLATED	2	2						
14	2	26366-080002	NUT M 8	2	2						
15	1	43400-500420	SEAL WASHER 8	1	1						
15-1	1	22190-080003	SEAL WASHER 8	1	1						N
		(A=E/# 07320) (B=E/# 04420)									
16	1	719129-01600	COVER ASSY, HOUSING	1	1						
17	2	119000-01590	COVER, GEAR HOUSING	1	1						W
		(A=E/# 02702) (B=E/# 02083)									
18	3	121850-01800	SEAL, OIL	1	1						
19	2	124610-01851	COVER	1	1						
20	2	119000-01930	COVER	1	1						
21	2	124610-01861	GASKET, COVER	1	1						
21-1	2	124610-01862	GASKET, (NON-ASB.)	1	1						N
		(A=E/# 02713) (B=E/# 02136)									
22	1	26106-080182	BOLT M 8X 18 PLATED	1	1						
23	1	26106-080202	BOLT M 8X 20 PLATED	5	5						
24	1	26106-080402	BOLT M 8X 40 PLATED	1	1						
25	1	26106-080452	BOLT M 8X 45 PLATED	5	5						
26	1	26106-080452	BOLT M 8X 45 PLATED	3	3						
27	1	26106-080502	BOLT M 8X 50 PLATED	2	2						
28	1	26106-080552	BOLT M 8X 55 PLATED	1	1						
29	1	26106-080752	BOLT M 8X 75 PLATED	4	4						
30	1	26106-080902	BOLT M 8X 90 PLATED	2	2						
31	1	26106-080252	BOLT M 8X 25 PLATED	2	2						
32	1	129150-91400	GEAR UNIT,TACHOMETER	1	1						
34	2	24341-000240	O-RING 1A S-24.0	1	1						
35	1	26106-060162	BOLT M 6X 16 PLATED	2	2						
36	1	977770-01212	GASKET, LIQUID	1	1						W 1
		(A=E/XXX) (B=E/XXX)									

Fig.3. OIL SUMP & LUB. OIL SYSTEM

Fig. 3 OIL SUMP & LUB. OIL SYSTEM



(A)=4TN100E-GB1 (D)=  
 (B)=4TN100TE-GB1 (E)=  
 (C)=4T112TLE-GB1 (F)=

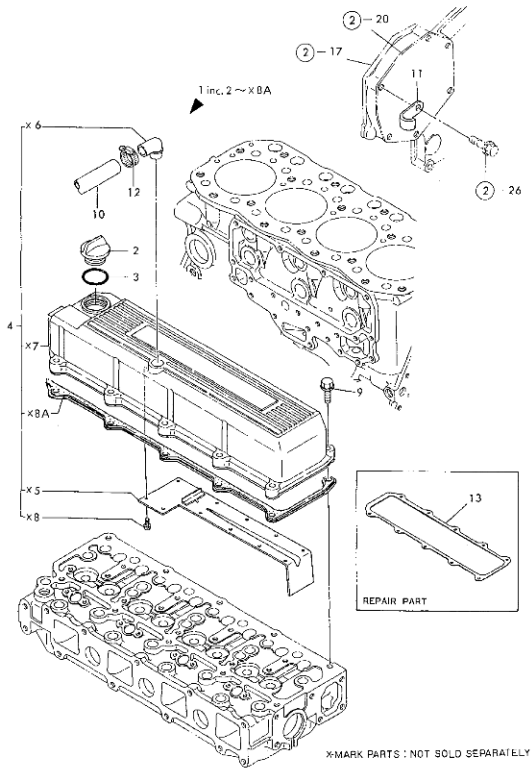
REF.	LEV.	PARTS NO.	DESCRIPTION	QTY						I	R
				(A)	(B)	(C)	(D)	(E)	(F)		
1	1	719100-01540	SUMP ASSY, LUB.OIL	1	1						
1-1	1	119100-01770	SUMP ASSY, LUB.OIL	1	1						R
		(A=X)	(B=X)								
2	2	171301-01640	PLUG M22	1	1						
2-1	2	119640-01640	DRAIN PLUG M22	1	1						S
		(A=E# 05947)	(B=E# 03717)								
4	2	24341-000240	O-RING 1A S-24.0	1	1						
4-1	2	22190-220002	SEAL WASHER 22S	1	1						S
		(A=E# 05947)	(B=E# 03717)								
5	1	119100-01730	INTERMEDIATE, SUMP	1	1						
6	1	124976-34850	CAP	2	2						
7	1	22117-120000	WASHER 12	6	6						
8	1	23871-030000	PLUG PT3/8,SCREW	1							
9	1	26106-080252	BOLT M 8X 25 PLATED	8	8						
10	1	26106-080352	BOLT M 8X 35 PLATED	4	4						
11	1	26106-080702	BOLT M 8X 70 PLATED	2	2						
12	1	26106-080802	BOLT M 8X 80 PLATED	18	18						
13	1	26116-120852	BOLT M12X 85 PLATED	6	6						
14	1	119100-34800	GAUGE, OIL LEVER	1	1						
15	1	121520-34810	GUIDE, DIPSTICK	1	1						
16	1	119100-35090	PIPE, OIL INLET	1	1						
17	1	24311-000220	O-RING 1A P-22.0	1	1						
18	1	26013-080162	BOLT W/WASHER M8X16	2	2						
19	1	26106-080162	BOLT M 8X 16 PLATED	2	2						
20	1	119000-32001	PUMP ASSY, LUB.OIL	1	1						
20-1	1	119060-32000	PUMP ASSY, LUB. OIL	1	1						N
		(A=E# 08054)	(B=E# 04877)								
21	2	26013-080162	BOLT M 6X 16	2	2						
22	2	26013-080252	BOLT M 6X 25	2	2						
23	1	119000-32020	GASKET, L.O.PUMP	1	1						
24	1	26106-080162	BOLT M 8X 16 PLATED	1	1						
25	1	26106-080502	BOLT M 8X 50 PLATED	1	1						
26	1	121252-39150	BOLT, PIPE JOINT	1							
27	1	119100-39350	PIPE, L.O	1	1						
28	1	23414-080000	GASKET 8, ROUND	2	4						
29	1	23857-030000	JOINT BOLT 3	1	2						
30	1	119101-39600	PIPE, L.O.INLET	1							
31	1	129792-39610	JOINT, RUBBER	1							
32	1	119101-39650	PIPE, L.O.OUTLET	1							
33	1	124413-39710	BOLT M 10	1							
34	1	23000-025000	CLAMP 25	2							
35	1	23297-080081	RETAINER 8X 8	1							
36	1	23414-100000	GASKET 10, ROUND	4							
37	1	24314-000180	O-RING 4C P-18.0	1							
38	1	26106-060162	BOLT M 6X 16 PLATED	2							
39	1	26106-080122	BOLT M 8X 12 PLATED	1							
40	1	124070-13300	ELBOW (PT3/8)	1							
41	1	977770-01212	GASKET, LIQUID	1	1						W 1
		(A=EXXX)	(B=EXXX)								

X-MARK PARTS : NOT SOLD SEPARATELY

Remarks  
 (1) OPTIONAL PART.

Fig.4. BONNET

Fig. 4 BONNET



Remarks  
(1) REPAIR PART.

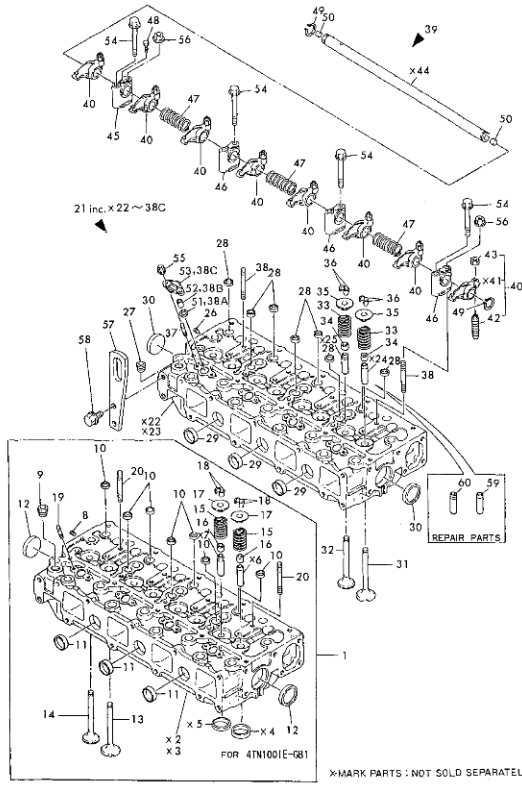
Y00S2993 4. BONNET

(A)=4TN100E-GB1 (D)=  
(B)=4TN100TE-GB1 (E)=  
(C)=4T112TLE-GB1 (F)=

REF.	LEV.	PARTS NO.	DESCRIPTION	QTY						I	R
				(A)	(B)	(C)	(D)	(E)	(F)		
1	1	719129-11520	BONNET ASSY	1	1						
2	2	124160-01751	CAP, LUB.OIL SUPPLY	1	1						
3	2	24311-000320	O-RING 1A P-32.0	1	1						
4	2	119100-11310	BONNET ASSY	1	1						
4.1	2	119100-11311	BONNET ASSY,HEAD	1	1						N
		(A=*) (B=*)									
9	1	26106-080252	BOLT M 8X 25 PLATED	10	10						
10	1	119006-03090	HOSE, BREATHER	1	1						
11	1	129150-03100	RETAINER	1	1						
12	1	23000-022000	CLAMP 22	1	1						Z
		(A=E# 04718) (B=E# 03190)									
13	1	119100-11360	GASKET, BONNET	1	1						1

Fig.5. CYLINDER HEAD

Fig. 5 CYLINDER HEAD



\*MARK PARTS : NOT SOLD SEPARATELY

Remarks  
(1) REPAIR PART.

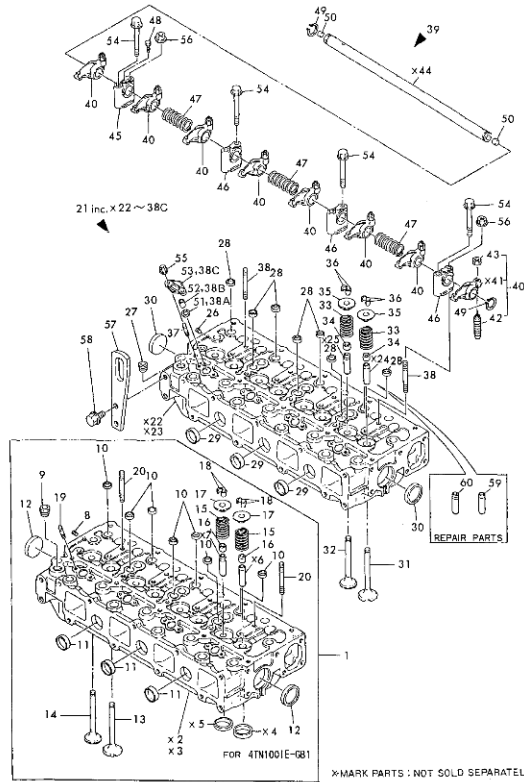
(A)=4TN100E-GB1 (D)=  
(B)=4TN100TE-GB1 (E)=  
(C)=4T112TLE-GB1 (F)=

REF.	LEV.	PARTS NO.	DESCRIPTION	QTY						I	R	
				(A)	(B)	(C)	(D)	(E)	(F)			
1	1	719100-11700	HEAD ASSY, CYLINDER									
8	2	123385-82200	PLUG									
9	2	23871-030000	PLUG PT3/8, SCREW									
10	2	27241-160000	PLUG 16									
11	2	27241-280000	PLUG 28									
12	2	27241-400000	PLUG 40									
13	2	121850-11100	VALVE, SUCTION									
14	2	119101-11110	VALVE, EXHAUST									
15	2	121850-11120	SPRING, VALVE									
16	2	121850-11150	SEAL, VALVE STEM									
17	2	121850-11180	RETAINER, SPRING									
18	2	124250-11190	COTTER 9									
18-1	2	27310-090000	COTTER 9									R
19	2	26216-060252	STUD M 6X 25 PLATED									
20	2	26216-080652	STUD M 8X 65 PLATED									
21	1	719130-11700	HEAD ASSY, CYLINDER									
21-1	1	719129-11700	HEAD ASSY, CYLINDER									N
26	2	123385-82200	PLUG									
27	2	23871-030000	PLUG PT3/8, SCREW									
28	2	27241-160000	PLUG 16									
29	2	27241-280000	PLUG 28									
30	2	27241-400000	PLUG 40									
31	2	121850-11100	VALVE, SUCTION									
32	2	119000-11110	VALVE, EXHAUST									
33	2	121850-11120	SPRING, VALVE									
34	2	121850-11150	SEAL, VALVE STEM									
35	2	121850-11180	RETAINER, SPRING									
36	2	124250-11190	COTTER 9									
36-1	2	27310-090000	COTTER 9									R
37	2	26216-060252	STUD M 6X 25 PLATED									
38	2	26216-080652	STUD M 8X 65 PLATED									
38A	2	119625-11870	PROTECTOR, NOZZLE									W
38A-1	2	119625-11871	PROTECTOR, NOZZLE									R
38B	2	119625-11880	SEAT, NOZZLE									W
38C	2	119625-11900	RETAINER									W
39	1	119100-11240	SHAFT ASSY, ARM									
39-1	1	119100-11230	SCREW, VALVE									N
40	2	719000-11651	ARM ASSY, ROCKER									
40-1	2	719129-11650	ARM ASSY, ROCKER									N
40-2	2	719129-11660	ARM ASSY, ROCKER									N
42	3	119000-11230	SCREW, VALVE									
43	3	129150-11750	NUT M8XP1.0									
45	2	119000-11260	BRACKET (A)									
46	2	119000-11270	BRACKET (B)									

++ CONTINUE ++

Fig.5. CYLINDER HEAD

Fig. 5 CYLINDER HEAD



Remarks  
(1) REPAIR PART.

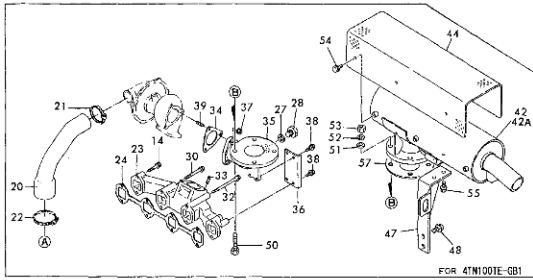
Y00S2993 5. CYLINDER HEAD

(A)=4TN100E-GB1 (D)=  
(B)=4TN100TE-GB1 (E)=  
(C)=4T112TLE-GB1 (F)=

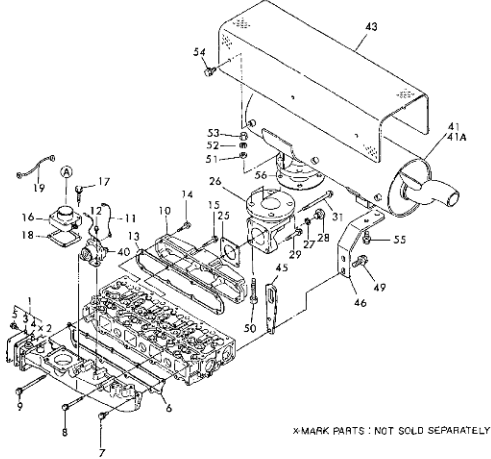
REF.	LEV.	PARTS NO.	DESCRIPTION	QTY						I	R
				(A)	(B)	(C)	(D)	(E)	(F)		
47	2	119000-11280	SPRING	3	3						
48	2	119000-11290	BOLT, SET	1	1						
49	2	22242-000180	CIRCLIP 18	2	2						
50	2	27241-100000	PLUG 10	2	2						
51	1	119625-11870	PROTECTOR, NOZZLE								4
51-1	1	119625-11871	PROTECTOR, NOZZLE								R
(B=E# 03717)											
52	1	119625-11880	SEAT, NOZZLE								4
53	1	119625-11900	RETAINER								4
54	1	26106-080652	BOLT M 8X 65 PLATED	6	6						
55	1	26366-080002	NUT M 6	8	8						
56	1	26366-080002	NUT M 8	2	2						
57	1	119000-07200	LIFTER	1	1						
58	1	26106-100202	BOLT M10X 20 PLATED	2	2						
59	1	121850-11800	GUIDE, VALVE(SUCTION)	4	4						1
60	1	119000-11810	GUIDE, VALVE(EXHAUST)	4	4						1

Fig.6. SUCTION & EXHAUST MANIFOLD

Fig. 6 SUCTION & EXHAUST MANIFOLD



FOR 4TN100TE-GB1



\* MARK PARTS : NOT SOLD SEPARATELY

Remarks  
 (1) FOR FRAME TYPE ONLY.  
 (2) FOR BONNET TYPE ONLY.  
 (3) FOR BONNET SILENT TYPE ONLY.

6. SUCTION & EXHAUST MANIFOLD

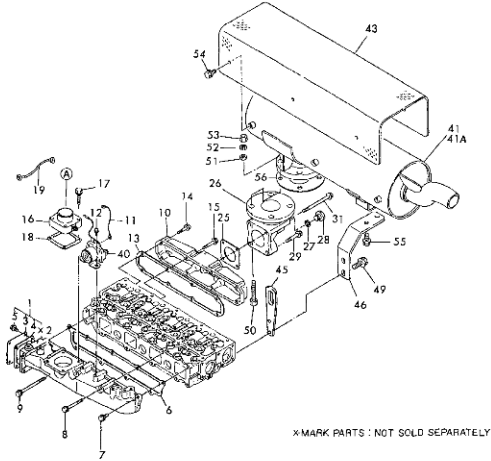
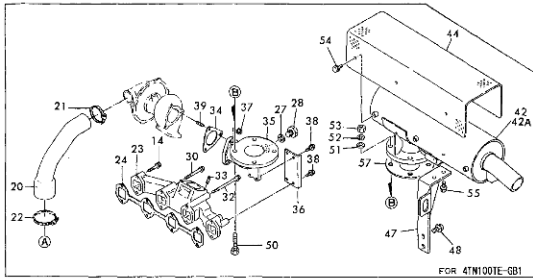
(A)=4TN100E-GB1 (D)=  
 (B)=4TN100TE-GB1 (E)=  
 (C)=4T112TLE-GB1 (F)=

REF.	LEV.	PARTS NO.	DESCRIPTION	QTY						I	R
				(A)	(B)	(C)	(D)	(E)	(F)		
1	1	719129-12100	MANIFOLD ASSY, SUC.	1	1						
3	2	119100-12120	COVER, SUC.MANIFOLD	1	1						
4	2	121850-77020	GASKET, AIR HEATER	1	1						
4-1	2	121850-77021	GASKET, (NON-ASB.)	1	1						N
		(A)=E# 02713) (B)=E# 02136)									
5	2	26106-080142	BOLT M 8X 14 PLATED	4	4						
6	1	119100-12111	GASKET, SUC.MANIFOLD	1	1						
6-1	1	119100-12112	GASKET, (NON ASB.)	1	1						R
		(A)=E# 02713) (B)=E# 02136)									
7	1	26106-080202	BOLT M 8X 20 PLATED	5	5						
8	1	26106-080702	BOLT M 8X 70 PLATED	3	3						
9	1	26106-081152	BOLT M 8X115 PLATED	1	1						
10	1	119100-13100	MANIFOLD, EXHAUST	1							
11	1	121872-77950	WIRE	1	1						
12	1	26014-060122	BOLT M 6X 12	2	2						
13	1	119100-13200	GASKET, EXH.MANIFOLD	1							
14	1	26106-080402	BOLT M 8X 40 PLATED	4	4						
15	1	26106-080502	BOLT M 8X 50 PLATED	4							
16	1	121850-77050	HEATER, AIR	1	1						
17	1	26106-080352	BOLT M 8X 35 PLATED	4	4						
18	1	121850-77020	GASKET, AIR HEATER	1	1						
18-1	1	121850-77021	GASKET, (NON-ASB.)	1	1						N
		(A)=E# 02713) (B)=E# 02136)									
19	1	129100-77820	CORD, EARTH	1	1						
20	1	119101-12850	HOSE, RUBBER	1							
21	1	23000-060000	CLAMP 60	1							
22	1	23000-070000	CLAMP 70	1							
23	1	119101-13100	MANIFOLD, EXHAUST	1							
24	1	119101-13200	GASKET, EXH.MANIFOLD	1							
25	1	129400-13200	GASKET, SILENCER	1							
25-1	1	129400-13201	GASKET, (NON-ASB.)	1							N
		(A)=E# 02713)									
26	1	129411-13300	BEND, EXHAUST	1							
27	1	23414-170000	GASKET 17, ROUND	1	1						W
		(B=*)									
28	1	23894-030002	PLUG PF3/8	1	1						W
		(B=*)									
29	1	26106-080452	BOLT M 8X 45 PLATED	2							
30	1	26106-080702	BOLT M 8X 70 PLATED		3						
31	1	26106-080952	BOLT M 8X 95 PLATED	2							
32	1	26106-081102	BOLT M 8X110 PLATED		1						
33	1	26216-080222	STUD M 8X 22 PLATED	4							
34	1	129792-13520	GASKET	1							
34-1	1	129792-13521	GASKET	1							R
		(B)=E# 03462)									
35	1	119131-18390	BEND, EXHAUST	1							
36	1	119131-18400	STAY, BEND	1							
37	1	194990-22050	NUT WWASHER 8	3							
38	1	26106-080162	BOLT M 8X 16 PLATED	4							
39	1	26216-080222	STUD M 8X 22 PLATED	3							
40	1	124612-77910	SWITCH	1	1						
41	1	119140-13500	SILENCER	1							1
41A	1	982275-00260	SILENCER	1							2
41B	1	982275-00330	MUFFLER	1							3

++ CONTINUE ++

Fig.6. SUCTION & EXHAUST MANIFOLD

Fig. 6 SUCTION & EXHAUST MANIFOLD



\* MARK PARTS : NOT SOLD SEPARATELY

Remarks  
 (1) FOR FRAME TYPE ONLY.  
 (2) FOR BONNET TYPE ONLY.  
 (3) FOR BONNET SILENT TYPE ONLY.

6. SUCTION & EXHAUST MANIFOLD

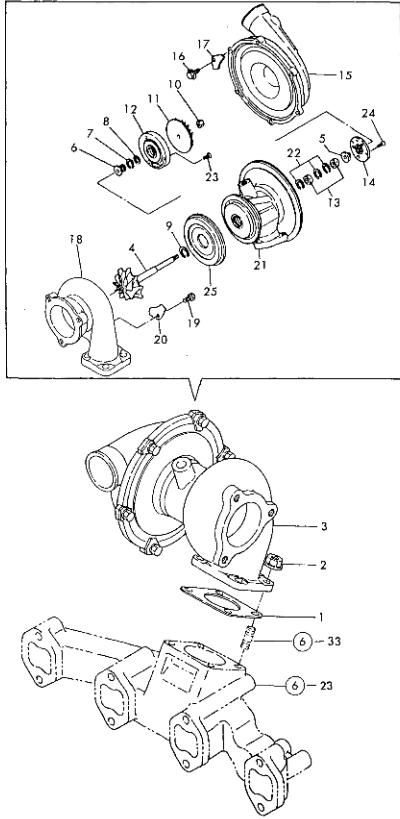
(A)=4TN100E-GB1 (D)=  
 (B)=4TN100TE-GB1 (E)=  
 (C)=4T112TLE-GB1 (F)=

REF.	LEV.	PARTS NO.	DESCRIPTION	QTY						I	R	
				(A)	(B)	(C)	(D)	(E)	(F)			
42	1	119141-13500	SILENCER								1	
42A	1	982275-00270	SILENCER								2	
42B	1	982275-00340	MUFFLER								3	
43	1	171085-13600	COVER, SILENCER								1	
44	1	171087-13600	COVER, SILENCER								1	
45	1	119000-07200	LIFTER								1	
46	1	119140-13650	STAY, SILENCER								1	
47	1	119141-13650	STAY, SILENCER								1	
48	1	26106-100202	BOLT M10X 20 PLATED								2	
49	1	26106-100252	BOLT M10X 25 PLATED								2	
50	1	26116-120452	BOLT M12X 45 PLATED								4	4
51	1	22137-120000	WASHER 12,POLISHED								4	4
52	1	22217-120000	WASHER 12,SPRING								4	4
53	1	26716-120002	NUT M12								4	4
54	1	26106-080102	BOLT M 8X 10 PLATED								6	6
55	1	26106-080182	BOLT M 8X 18 PLATED								2	2
56	1	23446-050000	GASKET 50								1	
(A)=FROM 1ST)												
57	1	23446-065000	GASKET 65								1	
(B)=FROM 1ST)												



Fig.7. TURBOCHARGER

Fig. 7 TURBO CHARGER



Y00S2993 7. TURBOCHARGER

(A)=4TN100E-GB1 (D)=  
 (B)=4TN100TE-GB1 (E)=  
 (C)=4T112TLE-GB1 (F)=

REF.	LEV.	PARTS NO.	DESCRIPTION	QTY						I	R
				(A)	(B)	(C)	(D)	(E)	(F)		
1	1	129792-18090	GASKET	1							
1-1	1	129472-18090 (B=E# 02818)	GASKET	1							N
2	1	26366-08002	NUT M 8	4							
2-1	1	194950-22050 (B=E# 02818)	NUT WWASHER 8	4							R
3	1	119101-18020	TURBOCHARGER ASSY	1							
4	2	119101-18500	SHAFT, TURBINE	1							
5	2	129404-18510	BUSHING	1							
6	2	129404-18520	OIL THROWER	1							
7	2	129404-18530	SEAL RING, COMP.SIDE	1							
8	2	129404-18540	SEAL RING, COMP.SIDE	1							
9	2	129404-18550	SEAL RING, TURB.SIDE	1							
10	2	129404-18560	LOCK NUT	1							
11	2	119101-18510	WHEEL, BLOWER	1							
12	2	129404-18580	PLATE, SEAL	1							
13	2	129404-18590	BEARING, JOURNAL	2							
14	2	129404-18600	BEARING, THRUST	1							
15	2	119101-18520	HOUSING ASSY, BLOWER	1							
16	2	129403-18620	BOLT M 5X 10.5	6							
17	2	119101-18530	RETAINER	6							
18	2	119101-18540	HOUSING, TURBINE	1							
19	2	119101-18550	BOLT M 8	4							
20	2	119101-18560	RETAINER	4							
21	2	119101-18570	HOUSING, BEARING	1							
22	2	129404-18680	RING, RETAINING	3							
23	2	129406-18690	SCREW	4							
24	2	129406-18700	SCREW	3							
25	2	129404-18720	PROTECTOR, HEAT	1							

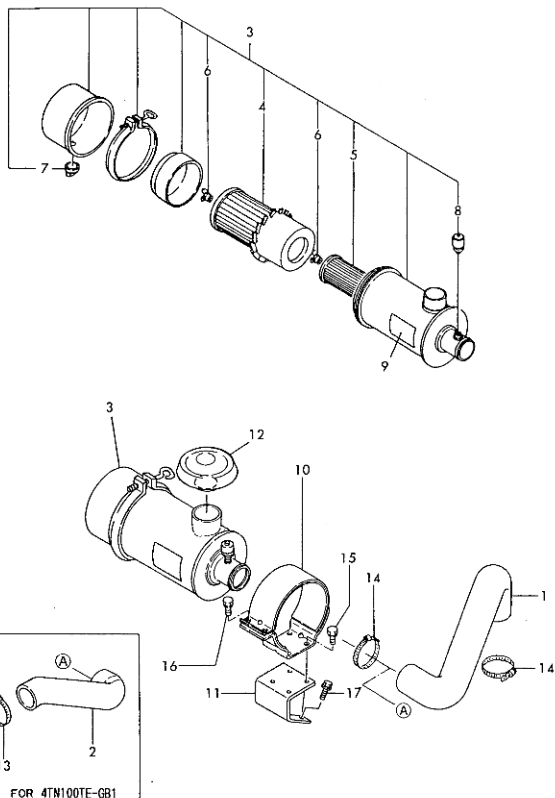
# Yanmar 4tn100te G1a Engine Parts Catalog

Full download: <http://manualplace.com/download/yanmar-4tn100te-g1a-engine-parts-catalog/>

Y00S2993

Fig.8. AIR CLEANER

Fig. 8 AIR CLEANER



## Y00S2993 8. AIR CLEANER

(A)=4TN100E-GB1 (D)=  
 (B)=4TN100TE-GB1 (E)=  
 (C)=4T112TLE-GB1 (F)=

REF.	LEV.	PARTS NO.	DESCRIPTION	QTY						I	R
				(A)	(B)	(C)	(D)	(E)	(F)		
1	1	119140-12040	PIPE, AIR INTAKE	1							
2	1	119141-12040	PIPE, AIR INTAKE		1						
3	1	171064-12509	CLEANER ASSY, AIR	1	1						
4	2	171064-12540	ELEMENT, AIR CLEANER	1	1						
5	2	171064-12550	ELEMENT(INNER)	1	1						
6	2	121420-12561	NUT, WING	2	2						
7	2	121422-12580	VALVE, UNLOADER	1	1						
8	2	126650-12680	INDICATOR	1	1						
9	1	171064-12600	LABEL, AIR CLEANER	1	1						
10	1	121872-12700	SUPPORT, CLEANER	1	1						
11	1	119140-12800	BRACKET	1	1						
12	1	121875-12920	CAP, RAIN	1	1						
13	1	23000-054000	CLAMP 54				1				
14	1	23000-070000	CLAMP 70				2				
14-1	1	23000-075000	CLAMP 75				2				N
(A)=E/# 02277 (B)=E/# 01704											
15	1	26013-080142	BOLT M 8 X 14	4	4						
16	1	26106-080252	BOLT M 8 X 25 PLATED	2	2						
17	1	26106-100202	BOLT M10X 20 PLATED	4	4						

(C)Copy Rights YANMAR CO.,LTD and YANMAR AGRICULTURAL EQUIPMENT CO.,LTD.