

PARTS CATALOGUE

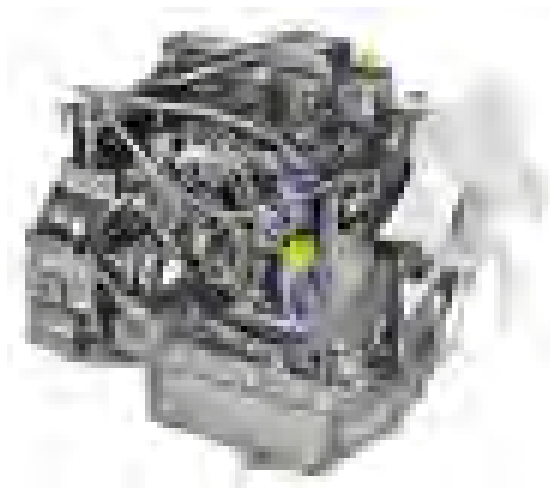
RESERVDELS KATALOG

ERSATZTEIL KATALOG

CATALOGUE DE PIECES

YANMAR
YANMAR DIESEL ENGINE
TNV SERIES

3TNV76-GGE



CONTENTS

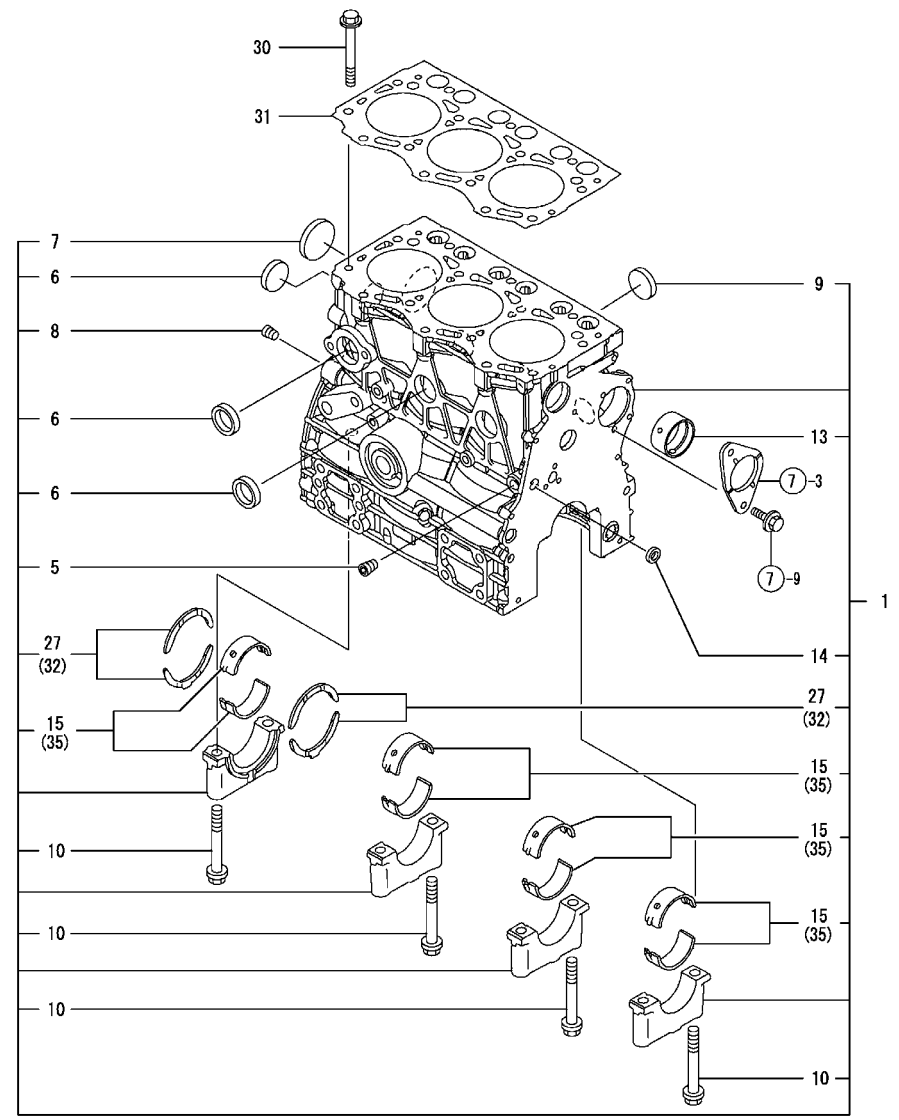
Fig.No. GROUP NAME

ENGINE SECTION

- 1. CYLINDER BLOCK**
- 2. GEAR HOUSING**
- 3. FLYWHEEL HOUSING & OIL SUMP**
- 4. CYLINDER HEAD & BONNET**
- 5. AIR CLEANER**
- 6. EXHAUST MANIFOLD & SILENCER**
- 7. CAMSHAFT & DRIVING GEAR**
- 8. CRANKSHAFT & PISTON**
- 9. LUB.OIL SYSTEM**
- 10. COOLING WATER SYSTEM**
- 11. FUEL INJECTION PUMP**
- 12. GOVERNOR**
- 13. FUEL INJECTION PUMP**
- 14. GOVERNOR**
- 15. FUEL INJECTION VALVE**
- 16. FUEL LINE**
- 17. STARTING MOTOR**
- 18. GENERATOR**
- 19. GASKET SET**

(A)=3TNV76-NBK (D)=
 (B)=3TNV76-GGE (E)=
 (C)=3TNV76-HGE (F)=

Fig.1. CYLINDER BOLCK



| REF. | LEV. | PARTS NO. | DESCRIPTION | QTY | | | | | | I | R | |
|------|------|--------------|----------------------|-----|-----|-----|-----|-----|-----|---|---|---|
| | | | | (A) | (B) | (C) | (D) | (E) | (F) | | | |
| 1 | 1 | 719717-01560 | BLOCK ASSY, CYLINDER | 1 | 1 | 1 | | | | | | |
| 5 | 2 | 124060-01050 | PLUG PT1/8 | 1 | 1 | 1 | | | | | | |
| 6 | 2 | 105311-01090 | PLUG 30 (SUS) | 4 | 4 | 4 | | | | | | |
| 7 | 2 | 119623-01250 | PLUG 45 | 1 | 1 | 1 | | | | | | |
| 8 | 2 | 124160-01910 | PLUG PT1/4 | 1 | 1 | 1 | | | | | | |
| 9 | 2 | 119285-01990 | PLUG 25 | 3 | 3 | 3 | | | | | | |
| 10 | 2 | 119620-02020 | BOLT | 8 | 8 | 8 | | | | | | |
| 13 | 2 | 119717-02410 | BUSH, CAMSHAFT | 1 | 1 | 1 | | | | | | |
| 14 | 2 | 27241-120000 | PLUG 12 | 1 | 1 | 1 | | | | | | |
| 15 | 2 | 719717-02900 | MAIN BEARING SET | 4 | 4 | 4 | | | | | | 2 |
| 27 | 2 | 119717-02930 | BEARING, THRUST | 2 | 2 | 2 | | | | | | |
| 30 | 1 | 119810-01200 | BOLT, CYL. HEAD | 14 | 14 | 14 | | | | | | |
| 31 | 1 | 119717-01330 | GASKET, CYL.HEAD | 1 | 1 | 1 | | | | | | |
| 32 | 1 | 119810-02940 | BEARING,THRUST .25OS | 2 | 2 | 2 | | | | | | 1 |
| 35 | 1 | 719717-02910 | MAIN METAL US=0.25 | 4 | 4 | 4 | | | | | | 3 |

Remarks
 (1) OVER-SIZE(O.S=0.25)PART.
 (2) REPAIR PART.
 (3) UNDER-SIZE(U.S=0.25)PART.