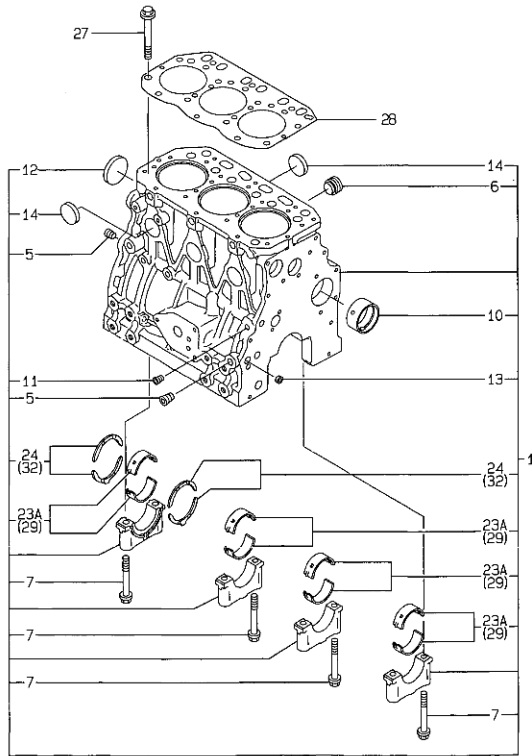


Y00R4471

Fig.1. CILINDER BLOCK

1. CYLINDER BLOCK



Remarks
 (1) UNDER-SIZE(U.S=0.25)PART.
 (2) OVER-SIZE(O.S=0.25)PART.
 (3) REPAIR PART.

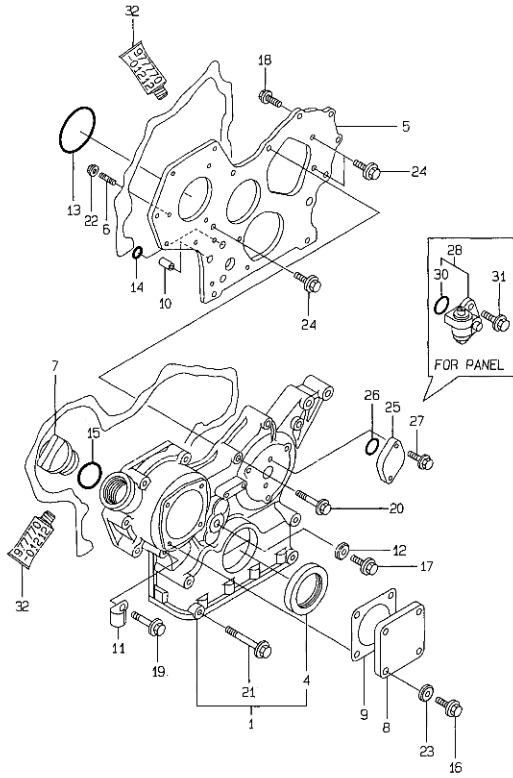
Y00R4471 1. CILINDER BLOCK

(A)=3TNE84-SA (D)=3TNE84C-G1A
 (B)=3TNE84-G1A (E)=
 (C)=3TNE84-G2A (F)=

| REF. | LEV. | PARTS NO. | DESCRIPTION | QTY | | | | | | I | R |
|------|------|-----------------------------------------|-----------------------|-----|-----|-----|-----|-----|-----|---|-----|
| | | | | (A) | (B) | (C) | (D) | (E) | (F) | | |
| 1 | 1 | 729002-01560 | BLOCK ASSY, CYLINDER | 1 | 1 | 1 | 1 | | | | |
| 5 | 2 | 124160-01910 | PLUG PT1/4 | 3 | 3 | 3 | 3 | | | | |
| 6 | 2 | 171051-01921 | PLUG | 1 | 1 | 1 | 1 | | | | |
| 7 | 2 | 129150-02020 | BOLT, METAL CAP | 8 | 8 | 8 | 8 | | | | |
| 10 | 2 | 129795-02411 | BUSH, CAMSHAFT | 1 | 1 | 1 | 1 | | | | |
| 11 | 2 | 23871-010000 | PLUG PT1/8 SCREW | 1 | 1 | 1 | 1 | | | | |
| 11-1 | 2 | 23876-010000 | PLUG PT1/8 SCREW | 1 | 1 | 1 | 1 | | | | N |
| | | (A=E-XXX) (B=E-XXX) (C=E-XXX) (D=E-XXX) | | | | | | | | | |
| 12 | 2 | 27231-500000 | PLUG 50 | 1 | 1 | 1 | 1 | | | | |
| 12-1 | 2 | 129001-01250 | PLUG 50 | 1 | 1 | 1 | 1 | | | | N |
| | | (A=E-XXX) (B=E-XXX) (C=E-XXX) (D=E-XXX) | | | | | | | | | |
| 13 | 2 | 27241-120000 | PLUG 12 | 2 | 2 | 2 | 2 | | | | |
| 14 | 2 | 27241-300000 | PLUG 30 | 6 | 6 | 6 | 6 | | | | |
| 23A | 2 | 129001-02930 | MAIN BEARING SET | 4 | 4 | 4 | 4 | | | | W 3 |
| | | (A=E-XXX) (B=E-XXX) (C=E-XXX) | | | | | | | | | |
| 24 | 2 | 129150-02930 | METAL, THRUST | 2 | 2 | 2 | 2 | | | | |
| 27 | 1 | 129150-01200 | STUD, CYL. HEAD | 14 | 14 | 14 | 14 | | | | |
| 28 | 1 | 129002-01331 | GASKET, CYL. HEAD | 1 | 1 | 1 | 1 | | | | |
| 29 | 1 | 129150-02870 | MAIN METAL US=0.25 | 4 | 4 | 4 | 4 | | | | 1 |
| 32 | 1 | 129150-02940 | METAL, THRUST.25(2PIE | 1 | 1 | 1 | 1 | | | | 2 |

Fig.2. GEAR HOUSING

2.GEAR HOUSING



Remarks
 (1) FOR PANEL.
 (2) OPTIONAL PART.

2. GEAR HOUSING

(A)=3TNE84-SA (D)=3TNE84C-G1A
 (B)=3TNE84-G1A (E)=
 (C)=3TNE84-G2A (F)=

| REF. | LEV. | PARTS NO. | DESCRIPTION | QTY | | | | | | I | R |
|------|------|---------------------------------------------|-----------------------|-----|-----|-----|-----|-----|-----|---|-----|
| | | | | (A) | (B) | (C) | (D) | (E) | (F) | | |
| 1 | 1 | 719810-01500 | HOUSING ASSY, GEAR | 1 | 1 | 1 | 1 | | | | |
| 4 | 2 | 129795-01800 | SEAL, OIL | 1 | 1 | 1 | 1 | | | | |
| 5 | 1 | 129400-01520 | FLANGE, GEARS HOUSING | 1 | 1 | 1 | 1 | | | | |
| 6 | 1 | 121450-01580 | STUD M 8X 22 | 3 | 3 | 3 | 3 | | | | |
| 7 | 1 | 124160-01751 | CAP, LUB. OIL SUPPLY | 1 | 1 | 1 | 1 | | | | |
| 8 | 1 | 124240-01871 | COVER, HO-P | 1 | 1 | 1 | 1 | | | | |
| 9 | 1 | 124240-01883 | GASKET, (NON-ASB.) | 1 | 1 | 1 | 1 | | | | |
| 10 | 1 | 129795-01950 | PIPE, KNOCK L=18 | 2 | 2 | 2 | 2 | | | | |
| 11 | 1 | 129150-03100 | RETAINER | 1 | 1 | 1 | 1 | | | | |
| 12 | 1 | 22190-080002 | SEAL WASHER 8S | 1 | 1 | 1 | 1 | | | | |
| 13 | 1 | 121850-51960 | O-RING, F.I.PUMP | 1 | 1 | 1 | 1 | | | | |
| 14 | 1 | 24311-000160 | O-RING 1A P-16.0 | 2 | 2 | 2 | 2 | | | | |
| 15 | 1 | 24311-000320 | O-RING 1A P-32.0 | 1 | 1 | 1 | 1 | | | | |
| 16 | 1 | 26106-080122 | BOLT M 8X 12 PLATED | 4 | 4 | 4 | 4 | | | | |
| 17 | 1 | 26106-080162 | BOLT M 8X 16 PLATED | 1 | 1 | 1 | 1 | | | | |
| 18 | 1 | 26106-080202 | BOLT M 8X 20 PLATED | 2 | 2 | 2 | 2 | | | | |
| 19 | 1 | 26106-080452 | BOLT M 8X 45 PLATED | 6 | 6 | 6 | 6 | | | | |
| 20 | 1 | 26106-080552 | BOLT M 8X 55 PLATED | 3 | 3 | 3 | 3 | | | | |
| 21 | 1 | 26106-080852 | BOLT M 8X 85 PLATED | 4 | 4 | 4 | 4 | | | | |
| 21-1 | 1 | 129001-91840 | BOLT M 8X 85 PLATED | 4 | 4 | 4 | 4 | | | | R |
| | | (A=E20276) (B=E20313) (C=E20277) (D=E00470) | | | | | | | | | |
| 22 | 1 | 26366-080002 | NUT M 8 | 3 | 3 | 3 | 3 | | | | |
| 22-1 | 1 | 26306-080002 | NUT | 3 | 3 | 3 | 3 | | | | N |
| | | (A=E0000) (B=E0000) (C=E0000) (D=E0000) | | | | | | | | | |
| 23 | 1 | 22190-080002 | SEAL WASHER 8S | 4 | 4 | 4 | 4 | | | | |
| 24 | 1 | 26106-080162 | BOLT M 8X 16 PLATED | 3 | 3 | 3 | 3 | | | | |
| 25 | 1 | 121023-01550 | COVER, BLIND | 1 | 1 | 1 | 1 | | | | |
| 26 | 1 | 24341-000240 | O-RING 1A S-24.0 | 1 | 1 | 1 | 1 | | | | |
| 27 | 1 | 26106-080122 | BOLT M 8X 12 PLATED | 2 | 2 | 2 | 2 | | | | |
| 27-1 | 1 | 26106-080162 | BOLT M 8X 16 PLATED | 2 | 2 | 2 | 2 | | | | N |
| | | (A=E0000) (B=E0000) (C=E0000) | | | | | | | | | |
| 28 | 1 | 129150-91400 | GEAR UNIT, TACHOMETER | 1 | 1 | 1 | 1 | | | | 1 |
| 30 | 2 | 24341-000240 | O-RING 1A S-24.0 | 1 | 1 | 1 | 1 | | | | 1 |
| 31 | 1 | 26106-080162 | BOLT M 8X 16 PLATED | 2 | 2 | 2 | 2 | | | | 1 |
| 32 | 1 | 977770-01212 | GASKET, LIQUID | 1 | 1 | 1 | 1 | | | | W 2 |
| | | (A=E0000) (B=E0000) (C=E0000) | | | | | | | | | |

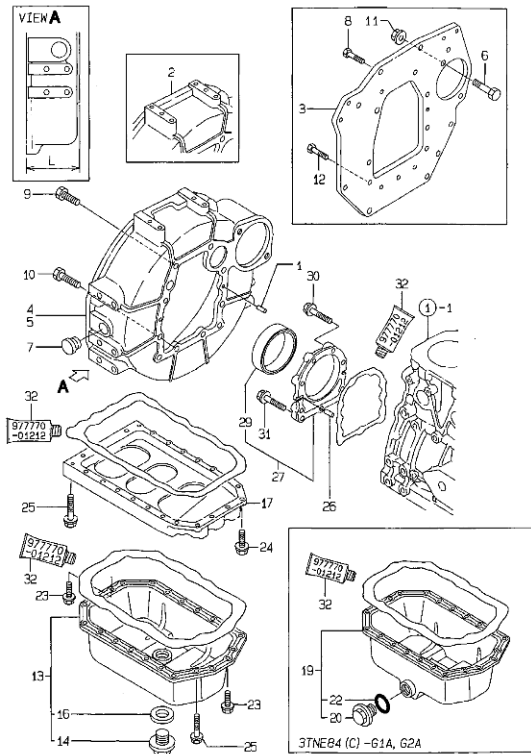
Yanmar 3tne84t G1a Engin Parts Catalog

Full download: <http://manualplace.com/download/yanmar-3tne84t-g1a-engine-parts-catalog/>

Y00R4471

Fig.3. FLYWHEEL HOUSING & OIL SUMP

3.FLYWHEEL HOUSING & OIL SUMP



Remarks
 (1) L = 80MM.
 (2) L = 105MM.
 (3) OPTIONAL PART.

Y00R4471 3. FLYWHEEL HOUSING & OIL SUMP

(A)=3TNE84-SA (D)=3TNE84C-G1A
 (B)=3TNE84-G1A (E)=
 (C)=3TNE84-G2A (F)=

| REF. | LEV. | PARTS NO. | DESCRIPTION | QTY | | | | | | I | R |
|-------------------------------------------------|------|--------------|-----------------------|-----|-----|-----|-----|-----|-----|---|-----|
| | | | | (A) | (B) | (C) | (D) | (E) | (F) | | |
| 1 | 1 | 129100-01580 | PARALLEL PIN 8X16 | 2 | 2 | 2 | 2 | | | | |
| 2 | 1 | 119888-01600 | HOUSING, FLYWHEEL | 1 | 1 | | | | | | |
| 3 | 1 | 129129-01600 | FLANGE, MOUNTING | 1 | 1 | | | | | | |
| 4 | 1 | 171301-01600 | HOUSING, FLYWHEEL | 1 | 1 | | | | | | 1 |
| 4-1 | 1 | 129612-01600 | HOUSING, FLYWHEEL | 1 | 1 | | | | | | N 1 |
| (A)=E15342) (C)=E14828) | | | | | | | | | | | |
| 5 | 1 | 171420-01600 | HOUSING, FLYWHEEL | 1 | 1 | 1 | 1 | | | | 2 |
| 6 | 1 | 121476-01620 | BOLT | 2 | 2 | 2 | | | | | |
| 7 | 1 | 119620-01750 | CAP, FLYWHEEL COVER | 1 | 1 | 1 | 1 | | | | |
| 8 | 1 | 26206-100202 | BOLT M10X20 | 6 | 6 | | | | | | |
| 9 | 1 | 26206-100252 | BOLT M10X25 | 6 | 6 | 6 | 6 | | | | |
| 10 | 1 | 26206-100302 | BOLT M10X30 | 4 | 4 | 4 | 4 | | | | |
| 11 | 1 | 26367-120002 | NUT 12 | 2 | 2 | | | | | | |
| 12 | 1 | 26206-100252 | BOLT M10X25 | 4 | 4 | | | | | | |
| 13 | 1 | 729102-01540 | SUMP ASSY, LUB. OIL | 1 | | | | | | | |
| 14 | 2 | 119640-01640 | DRAIN PLUG M22 | 1 | | | | | | | |
| 16 | 2 | 22190-220002 | SEAL WASHER M22S | 1 | | | | | | | |
| 17 | 1 | 129100-01730 | SPACER, OIL SUMP | 1 | 1 | 1 | 1 | | | | |
| 19 | 1 | 129100-01760 | SUMP ASSY, OIL | 1 | 1 | 1 | 1 | | | | |
| 20 | 2 | 171301-01640 | PLUG M22 | 1 | 1 | 1 | 1 | | | | |
| 22 | 2 | 24341-000250 | O-RING 1A S-25.0 | 1 | 1 | 1 | 1 | | | | |
| 23 | 1 | 26106-080162 | BOLT M 8X 16 PLATED | 4 | 4 | 4 | 4 | | | | |
| 24 | 1 | 26106-080252 | BOLT M 8X 25 PLATED | 2 | 2 | 2 | 2 | | | | |
| 25 | 1 | 26106-080452 | BOLT M 8X 45 PLATED | 20 | 20 | 20 | 20 | | | | |
| 26 | 1 | 129100-01580 | PARALLEL PIN 8X16 | 2 | 2 | 2 | 2 | | | | |
| 27 | 1 | 129100-01640 | CASE ASSY, OIL SEAL | 1 | 1 | 1 | 1 | | | | |
| 29 | 2 | 129795-01780 | SEAL OIL | 1 | 1 | 1 | 1 | | | | |
| 30 | 1 | 26106-080302 | BOLT M 8X 30 PLATED | 6 | 6 | 6 | 6 | | | | |
| 30-1 | 1 | 129486-01670 | BOLT M8X30, COLLAR HD | 6 | 6 | 6 | 6 | | | | R |
| (A)=E15342) (B)=E14842) (C)=E14828) (D)=E00257) | | | | | | | | | | | |
| 31 | 1 | 26106-080352 | BOLT M 8X 35 PLATED | 3 | 3 | 3 | 3 | | | | |
| 32 | 1 | 97770-01212 | GASKET, LIQUID | 1 | 1 | 1 | 1 | | | | W 3 |
| (A)=EXXX) (B)=EXXX) (C)=EXXX) | | | | | | | | | | | |