

PARTS CATALOGUE

YZF-R6 (5MTB) EUROPE

YZF-R6 (5MTC) AUSTRIA, FINLAND, NORWAY

YZF-R6P (5MTE) AUSTRALIA

YAMAHA
GENUINE
Parts & Accessories

2A5MT-300E3

YZF-R6/YZF-R6P
PARTS CATALOGUE
©2002 by Yamaha Motor Co., Ltd.
1st Edition, May 2002
All rights reserved.
Any reprinting or unauthorized use
without the written permission of
Yamaha Motor Co., Ltd.
is expressly prohibited.

A3



A4

FOREWORD

This Parts Catalogue is related to the parts for the model(s) in the below frame. When you are ordering replacement parts, please refer to this Parts Catalogue and quote both part numbers and part names correctly.

YZF-R6/YZF-R6P(5MTB,C/5MTE)

1. Modifications or additions which have been made after issue of the Parts Catalogue will be announced in the Yamaha Parts News.
It is advisable that you make necessary corrections to the Parts Catalogue according to the Yamaha Parts News.

2. Abbreviations

The Following abbreviations are used in this Parts Catalogue.

"UR" Use specified parts number.

"UN" Use as many as needed.

"AP" Alternate Parts

"LM" Local Made (Parts need to be ordered locally)

"F#" Frame No. (Applicable machine No.)

3. Parts, which are to be supplied in an assembly, are listed with a dot(.) in front of the part name as shown below.

EXAMPLE

CARBURETOR ASSY

.JET, PILOT

.NOZZLE, MAIN

4. Number of component for assembly

The numeral appearing to the right of each component part indicates the quantity of parts for each assembly unit.

EXAMPLE

PART NO.	DESCRIPTION	Q'TY	REMARKS
2F5-83310-60	FRONT FLASHER LIGHT ASSY	2	
115-83311-60	.BULB (6V-18W)	1	
1M1-83309-60	.REFLECTOR	1	

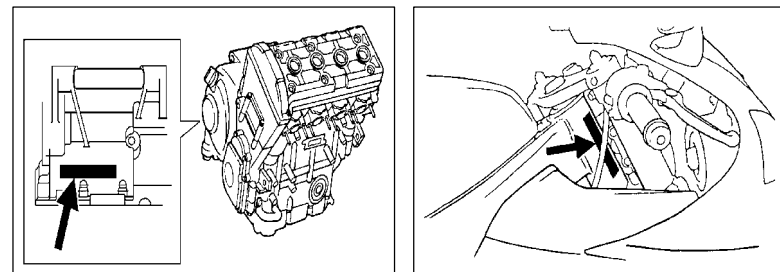
5. Applicable colors of graphics are represented in the "REMARKS" as shown below.

PART NO.	DESCRIPTION	Q'TY	REMARKS
2N4-24110-00-X5	.FUEL TANK COMP.	2	MXR
3J1-24240-10	.GRAPHIC, FUEL TANK	1	for MXR

6. Applicable Serial No.

Engine Serial No.

Frame Serial No.



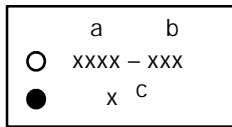
7. Note that the illustrations for reference in finding parts numbers, not to be used for assembling. When assembling, please use the applicable service manual.

8. The asterisk (*) before a reference number indicates modification items after the first edition.

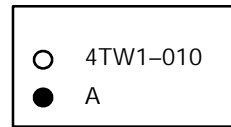
MODEL LABEL

(1) A label called "Model Label" is affixed in the location as indicated in (3) below.
When using this parts catalogue, please be sure to cross-refer the "model code – production code No." in the catalogue to the "model code – production code No." indicated on the Model Label affixed onto the product concerned.

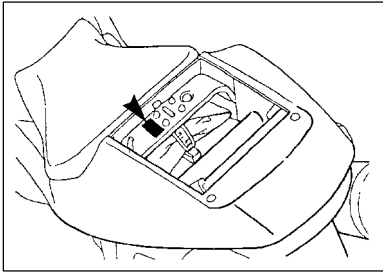
(2) "Model Label" Indication



a: Model Type Code
b: Production Code No.
c: Colouring Type



(3) Model Label Affixing Location



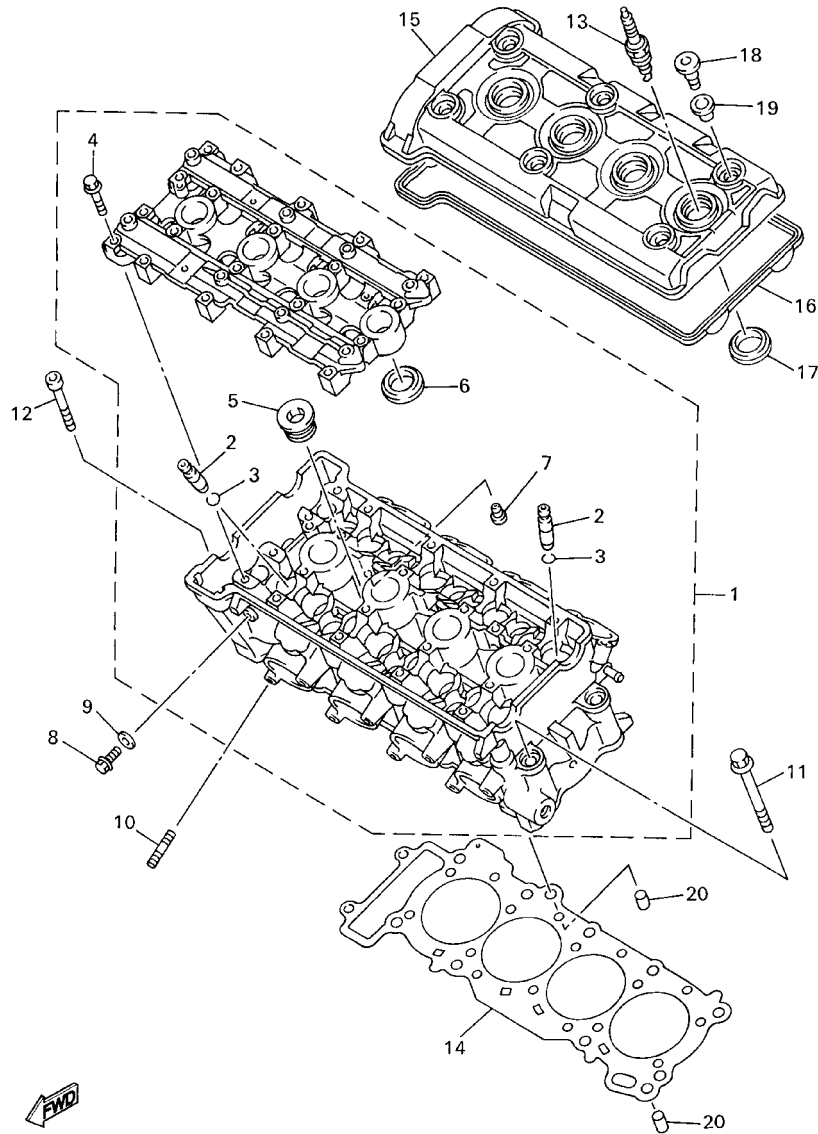
(4) Model Code – Production Code Number of Model Listed in This Parts Catalog

Model Code	Production Code No.	Country (destination)	Model Code	Production Code No.	Country (destination)
5MTB	010	ITALY	5MTC	040	NORWAY
	011	ITALY	5MTE	010	AUSTRALIA
	020	BELGIUM			
	021	BELGIUM			
	040	DENMARK			
	060	ENGLAND			
	061	ENGLAND			
	070	GREECE			
	080	HOLLAND			
	081	HOLLAND			
	090	NORWAY			
	100	PORTUGAL			
5MTC	020	AUSTRIA			
	030	FINLAND			

(5) Colouring Information

Model Code	Colouring type code	Colour code	Colour Name	Abbreviation
5MTB,C	A	0121	VIVID RED COCKTAIL 1	VRC1
	B	0564	DEEP PURPLISH BLUE METALLIC C	DPBMC
5MTE	A	0564	DEEP PURPLISH BLUE METALLIC C	DPBMC
	B	0121	VIVID RED COCKTAIL 1	VRC1

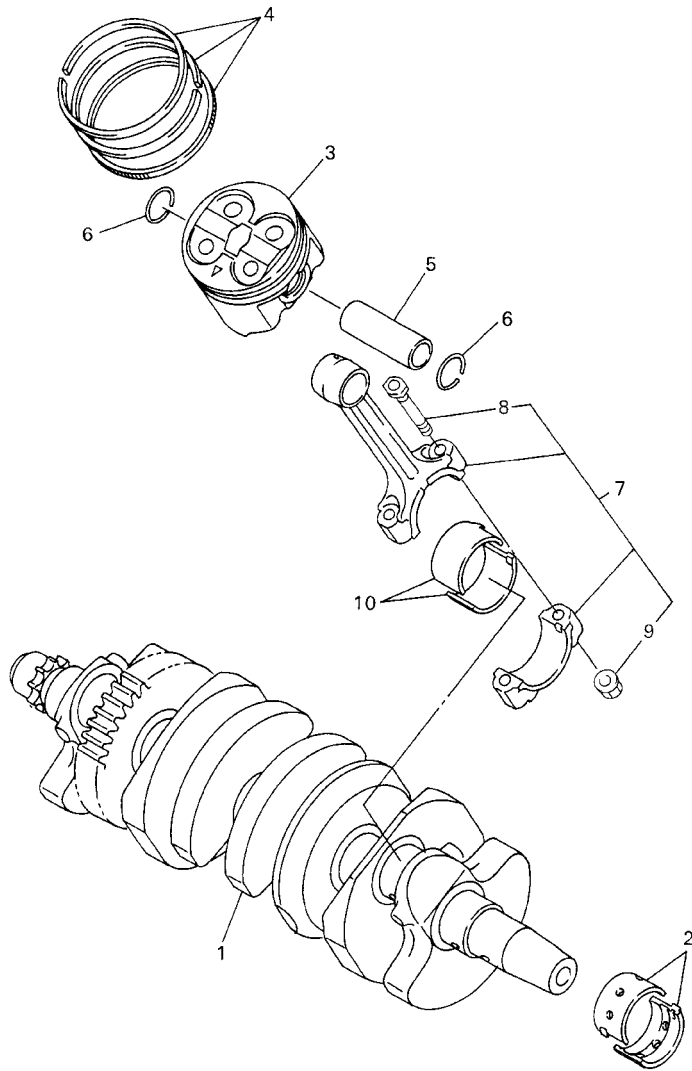
FIG. 1 CYLINDER



5EB3351-9010

REF. NO.	PART NO.	DESCRIPTION	5MTB	5MTC	5MTE	REMARKS
1	5MT-11101-00	CYLINDER HEAD ASSY	1	1	1	
2	5EB-11133-10	.GUIDE, INTAKE VALVE	16	16	16	
3	93440-10153	.CIRCLIP	16	16	16	
4	90105-067A6	.BOLT, FLANGE	20	20	20	
5	90340-27001	.PLUG, STRAIGHT SCREW	3	3	3	
6	5EB-11195-00	.GASKET	4	4	4	
7	11H-15138-00	.NOZZLE 1	1	1	1	
8	95027-08012	BOLT, FLANGE	1	1	1	
9	90430-08119	GASKET	1	1	1	
10	95617-08625	BOLT, STUD	8	8	8	
11	90119-10003	BOLT, WITH WASHER	10	10	10	
12	91317-06045	BOLT	2	2	2	
13	94701-00402	PLUG, SPARK (NGK CR10EK)	4	4	4	
14	5EB-11181-00	GASKET, CYLINDER HEAD 1	1	1	1	
15	5EB-11191-00	COVER, CYLINDER HEAD 1	1	1	1	
16	5EB-11193-00	GASKET, HEAD COVER 1	1	1	1	
17	5EB-11195-00	GASKET	4	4	4	
18	90109-066F0	BOLT	6	6	6	
19	4KG-1111G-00	RUBBER, MOUNT 1	6	6	6	
20	99530-10114	PIN, DOWEL	2	2	2	

FIG. 2 CRANKSHAFT. PISTON



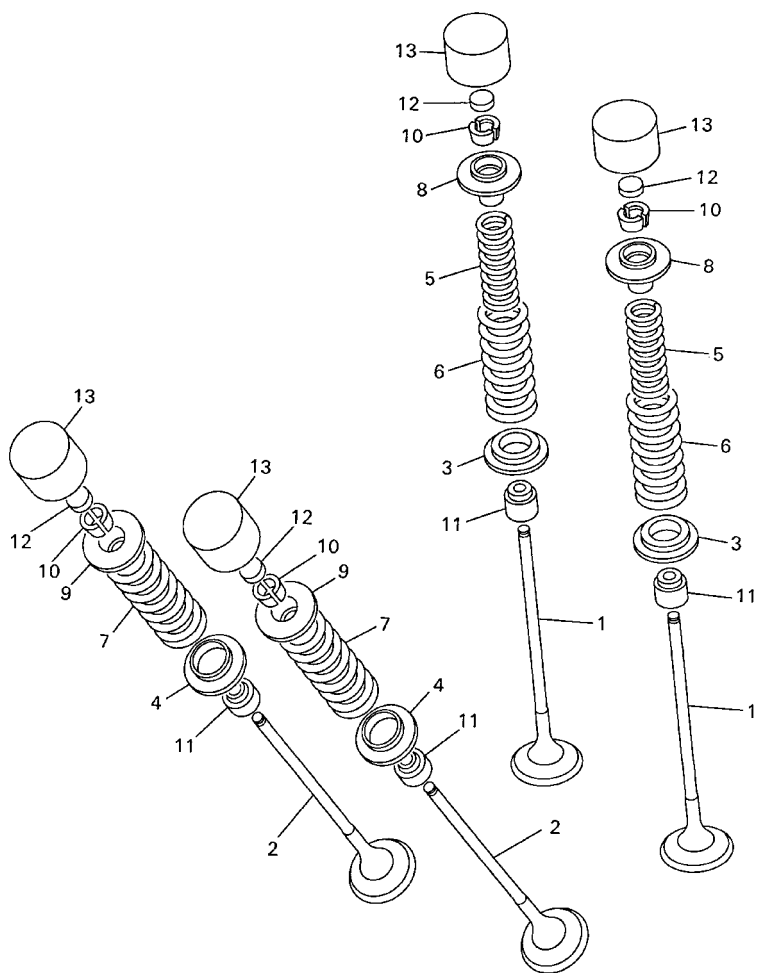
REF. NO.	PART NO.	DESCRIPTION	5MTB	5MTC	5MTE	REMARKS
1	5EB-11411-00	CRANKSHAFT	1	1	1	
2	5EB-11416-A0	PLANE BEARING, CRANKSHAFT 1	10	10	10	UR WHITE
	5EB-11416-00	PLANE BEARING, CRANKSHAFT 1	10	10	10	UR BLUE
	5EB-11416-10	PLANE BEARING, CRANKSHAFT 1	10	10	10	UR BLACK
	5EB-11416-20	PLANE BEARING, CRANKSHAFT 1	10	10	10	UR BROWN
	5EB-11416-30	PLANE BEARING, CRANKSHAFT 1	10	10	10	UR GREEN
3	5MT-11631-00	PISTON (STD)	4	4	4	
4	5EB-11603-10	PISTON RING SET (STD)	4	4	4	
5	5EB-11633-00	PIN, PISTON	4	4	4	
6	93450-17129	CIRCLIP	8	8	8	
7	5MT-11650-00	CONNECTING ROD ASSY	4	4	4	
8	5EB-11654-00	.BOLT, CONNECTING ROD	2	2	2	
9	90179-07652	.NUT	2	2	2	
10	4TV-11656-00	PLANE BEARING, CONNECTING ROD	8	8	8	UR BLUE
	4TV-11656-10	PLANE BEARING, CONNECTING ROD	8	8	8	UR BLACK
	4TV-11656-20	PLANE BEARING, CONNECTING ROD	8	8	8	UR BROWN
	4TV-11656-30	PLANE BEARING, CONNECTING ROD	8	8	8	UR GREEN



5EB3351-9020

FIG. 3 VALVE

REF. NO.	PART NO.	DESCRIPTION	5MTB	5MTC	5MTE	REMARKS
1	5EB-12111-00	VALVE, INTAKE	8	8	8	
2	5EB-12121-00	VALVE, EXHAUST	8	8	8	
3	5EB-12116-00	SEAT, VALVE SPRING	8	8	8	
4	5EB-12126-00	SEAT, VALVE SPRING 2	8	8	8	
5	5EB-12113-00	SPRING, VALVE INNER	8	8	8	
6	5EB-12114-00	SPRING, VALVE OUTER	8	8	8	
7	5EB-12124-01	SPRING, VALVE OUTER	8	8	8	
8	5EB-12117-00	RETAINER, VALVE SPRING	8	8	8	
9	5EB-12127-00	RETAINER, VALVE SPRING	8	8	8	
10	1HX-12118-00	COTTER, VALVE	32	32	32	
11	4TV-12119-00	SEAL, VALVE STEM	16	16	16	
12	1HX-12168-00	PAD, ADJUSTING 2 (1.20)	16	16	16	UR
	1HX-12168-20	PAD, ADJUSTING 2 (1.25)	16	16	16	UR
	1HX-12168-40	PAD, ADJUSTING 2 (1.30)	16	16	16	UR
	1HX-12168-60	PAD, ADJUSTING 2 (1.35)	16	16	16	UR
	1HX-12168-80	PAD, ADJUSTING 2 (1.40)	16	16	16	UR
	1HX-12168-A0	PAD, ADJUSTING 2 (1.45)	16	16	16	UR
	1HX-12168-F0	PAD, ADJUSTING 2 (1.50)	16	16	16	UR
	1HX-12168-H1	PAD, ADJUSTING 2 (1.55)	16	16	16	UR
	1HX-12168-K1	PAD, ADJUSTING 2 (1.60)	16	16	16	UR
	1HX-12168-M1	PAD, ADJUSTING 2 (1.65)	16	16	16	UR
	1HX-12168-R1	PAD, ADJUSTING 2 (1.70)	16	16	16	UR
	1HX-12168-U1	PAD, ADJUSTING 2 (1.75)	16	16	16	UR
	1HX-12168-W1	PAD, ADJUSTING 2 (1.80)	16	16	16	UR
	1HX-12168-Y1	PAD, ADJUSTING 2 (1.85)	16	16	16	UR
	1HX-12169-11	PAD, ADJUSTING 2 (1.90)	16	16	16	UR
	1HX-12169-31	PAD, ADJUSTING 2 (1.95)	16	16	16	UR



5EB3351-9030