

# PARTS CATALOGUE

<b>XT600E</b>	<b>(4PTB)</b>	<b>EUROPE</b>
<b>XT600E</b>	<b>(4SL7)</b>	<b>SWITZERLAND</b>

**YAMAHA**  
**GENUINE**  
Parts & Accessories

2A4PT-300E1

A2

XT600E  
PARTS CATALOGUE  
©2001 by Yamaha Motor Co., Ltd.  
1st Edition, August 2001  
All rights reserved.  
Any reprinting or unauthorized use  
without the written permission of  
Yamaha Motor Co., Ltd.  
is expressly prohibited.

**A3**



A4

# FOREWORD

This Parts Catalogue is related to the parts for the model(s) in the below frame. When you are ordering replacement parts, please refer to this Parts Catalogue and quote both part numbers and part names correctly.

XT600E(4PTB/4SL7)

1. Modifications or additions which have been made after issue of the Parts Catalogue will be announced in the Yamaha Parts News.  
It is advisable that you make necessary corrections to the Parts Catalogue according to the Yamaha Parts News.

2. Abbreviations

The Following abbreviations are used in this Parts Catalogue.

"UR" Use specified parts number.

"UN" Use as many as needed.

"AP" Alternate Parts

"LM" Local Made (Parts need to be ordered locally)

"F#" Frame No. (Applicable machine No.)

3. Parts, which are to be supplied in an assembly, are listed with a dot(.) in front of the part name as shown below.

EXAMPLE

CARBURETOR ASSY

.JET, PILOT

.NOZZLE, MAIN

4. Number of component for assembly

The numeral appearing to the right of each component part indicates the quantity of parts for each assembly unit.

EXAMPLE

PART NO.	DESCRIPTION	Q'TY	REMARKS
2F5-83310-60	FRONT FLASHER LIGHT ASSY	2	
115-83311-60	.BULB (6V-18W)	1	
1M1-83309-60	.REFLECTOR	1	

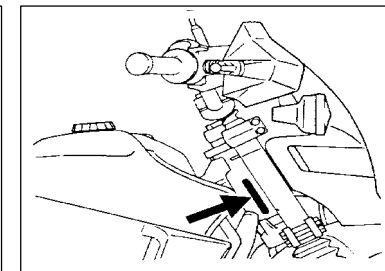
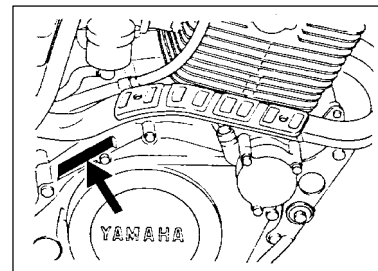
5. Applicable colors of graphics are represented in the "REMARKS" as shown below.

PART NO.	DESCRIPTION	Q'TY	REMARKS
2N4-24110-00-X5	.FUEL TANK COMP.	2	MXR
3J1-24240-10	.GRAPHIC, FUEL TANK	1	for MXR

6. Applicable Serial No.

Engine Serial No.

Frame Serial No.



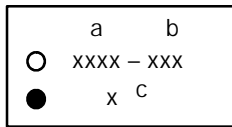
7. Note that the illustrations for reference in finding parts numbers, not to be used for assembling. When assembling, please use the applicable service manual.

8. The asterisk (\*) before a reference number indicates modification items after the first edition.

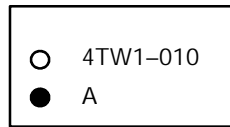
# MODEL LABEL

(1) A label called "Model Label" is affixed in the location as indicated in (3) below.  
When using this parts catalogue, please be sure to cross-refer the "model code – production code No." in the catalogue to the "model code – production code No." indicated on the Model Label affixed onto the product concerned.

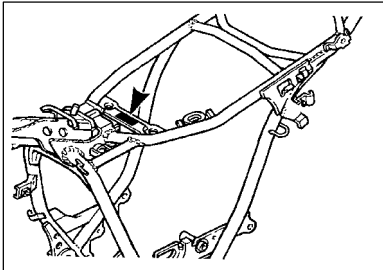
(2) "Model Label" Indication



a: Model Type Code  
b: Production Code No.  
c: Colouring Type



(3) Model Label Affixing Location



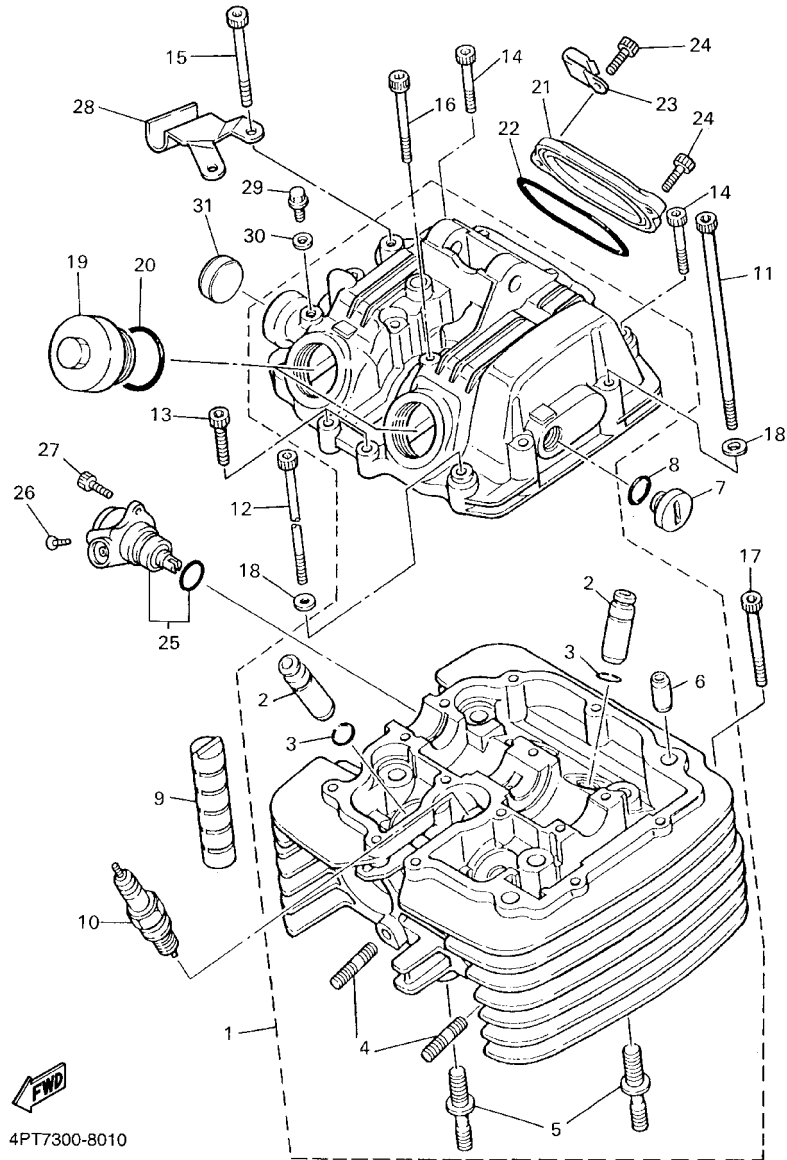
(4) Model Code – Production Code Number of Model Listed in This Parts Catalog

Model Code	Production Code No.	Country (destination)	Model Code	Production Code No.	Country (destination)
4PTB	020	BELGIUM			
	040	DENMARK			
	060	ENGLAND			
	070	GREECE			
	080	ITALY			
	090	HOLLAND			
	100	NORWAY			
	110	PORTUGAL			
	120	SWEDEN			
	130	S.AFRICA			
4SL7	010	SWITZERLAND			

(5) Colouring Information

Colouring type code	Colour code	Colour Name	Abbreviation
A	0564	DEEP PURPLISH BLUE METALLIC C	DPBMC
B	0033	YAMAHA BLACK	YB

FIG. 1 CYLINDER HEAD



4PT7300-8010

REF. NO.	PART NO.	DESCRIPTION	4PTB	4SL7	REMARKS
1	3TB-11101-02	CYLINDER HEAD ASSY	1	1	
2	4H7-11133-10	.GUIDE, INTAKE VALVE	4	4	
3	93440-12052	.CIRCLIP	4	4	
4	90116-06475	.BOLT, STUD	4	4	
5	90116-10378	.BOLT, STUD	2	2	
6	99530-10116	.PIN, DOWEL	2	2	
7	90340-14068	PLUG, STRAIGHT SCREW	1	1	
8	93210-13657	O-RING	1	1	
9	583-11127-00	ABSORBER 3	2	2	
10	94701-00241	PLUG, SPARK (NGK DPR8EA-9)	1	1	
11	91317-06125	BOLT	2	2	
12	91317-06115	BOLT	1	1	
13	91317-06025	BOLT	4	4	
14	91317-06040	BOLT	2	2	
15	91317-06055	BOLT	6	6	
16	90109-063E9	BOLT	1	1	
17	91317-06050	BOLT	1	1	
18	92907-06600	WASHER, PLATE	3	3	
19	1L9-11186-00	COVER, CYLINDER HEAD SIDE 2	2	2	
20	93210-32172	O-RING	2	2	
21	5Y1-11187-00	COVER, CYLINDER HEAD SIDE 3	1	1	
22	93210-62523	O-RING	1	1	
23	90465-08125	CLAMP	1	1	
24	91317-06018	BOLT	2	2	
25	1JK-17800-01	GEAR UNIT ASSY, TACHO. DRIVE	1	1	
26	98707-06030	SCREW, FLAT HEAD	1	1	
27	91317-06025	BOLT	1	1	

