

# PARTS CATALOGUE

<b>XJ600N</b>	<b>(4KED)</b>	EUROPE
<b>XJ600N</b>	<b>(4MB9)</b>	EUROPE
<b>XJ600N</b>	<b>(4KF9)</b>	SWITZERLAND,AUSTRIA

---

**YAMAHA**  
**GENUINE**  
Parts & Accessories

2A4KE-300E1

XJ600N  
PARTS CATALOGUE  
©2001 by Yamaha Motor Co., Ltd.  
1st Edition, June 2001  
All rights reserved.  
Any reprinting or unauthorized use  
without the written permission of  
Yamaha Motor Co., Ltd.  
is expressly prohibited.

**A3**



A4

# FOREWORD

This Parts Catalogue is related to the parts for the model(s) in the below frame. When you are ordering replacement parts, please refer to this Parts Catalogue and quote both part numbers and part names correctly.

XJ600N(4KED/4MB9/4KF9)

1. Modifications or additions which have been made after issue of the Parts Catalogue will be announced in the Yamaha Parts News.  
It is advisable that you make necessary corrections to the Parts Catalogue according to the Yamaha Parts News.

2. Abbreviations

The Following abbreviations are used in this Parts Catalogue.

"UR" Use specified parts number.

"UN" Use as many as needed.

"AP" Alternate Parts

"LM" Local Made (Parts need to be ordered locally)

"F#" Frame No. (Applicable machine No.)

3. Parts, which are to be supplied in an assembly, are listed with a dot(.) in front of the part name as shown below.

EXAMPLE

CARBURETOR ASSY

.JET, PILOT

.NOZZLE, MAIN

4. Number of component for assembly

The numeral appearing to the right of each component part indicates the quantity of parts for each assembly unit.

EXAMPLE

PART NO.	DESCRIPTION	Q'TY	REMARKS
2F5-83310-60	FRONT FLASHER LIGHT ASSY	2	
115-83311-60	.BULB (6V-18W)	1	
1M1-83309-60	.REFLECTOR	1	

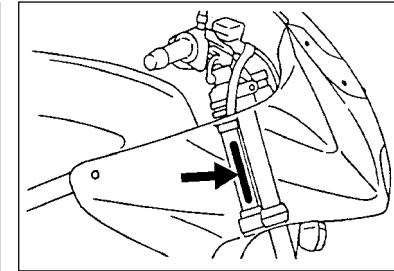
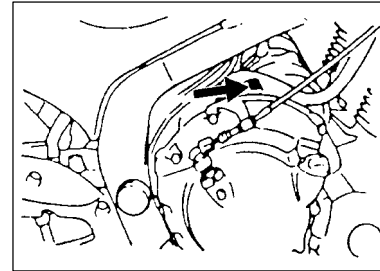
5. Applicable colors of graphics are represented in the "REMARKS" as shown below.

PART NO.	DESCRIPTION	Q'TY	REMARKS
2N4-24110-00-X5	.FUEL TANK COMP.	2	MXR
3J1-24240-10	.GRAPHIC, FUEL TANK	1	for MXR

6. Applicable Serial No.

Engine Serial No.

Frame Serial No.



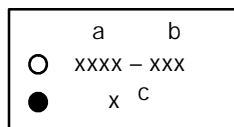
7. Note that the illustrations for reference in finding parts numbers, not to be used for assembling. When assembling, please use the applicable service manual.

8. The asterisk (\*) before a reference number indicates modification items after the first edition.

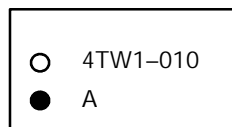
# MODEL LABEL

(1) A label called "Model Label" is affixed in the location as indicated in (3) below.  
When using this parts catalogue, please be sure to cross-refer the "model code – production code No." in the catalogue to the "model code – production code No." indicated on the Model Label affixed onto the product concerned.

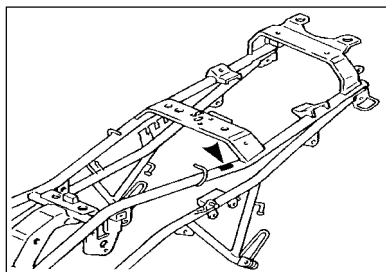
(2) "Model Label" Indication



a: Model Type Code  
b: Production Code No.  
c: Colouring Type



(3) Model Label Affixing Location



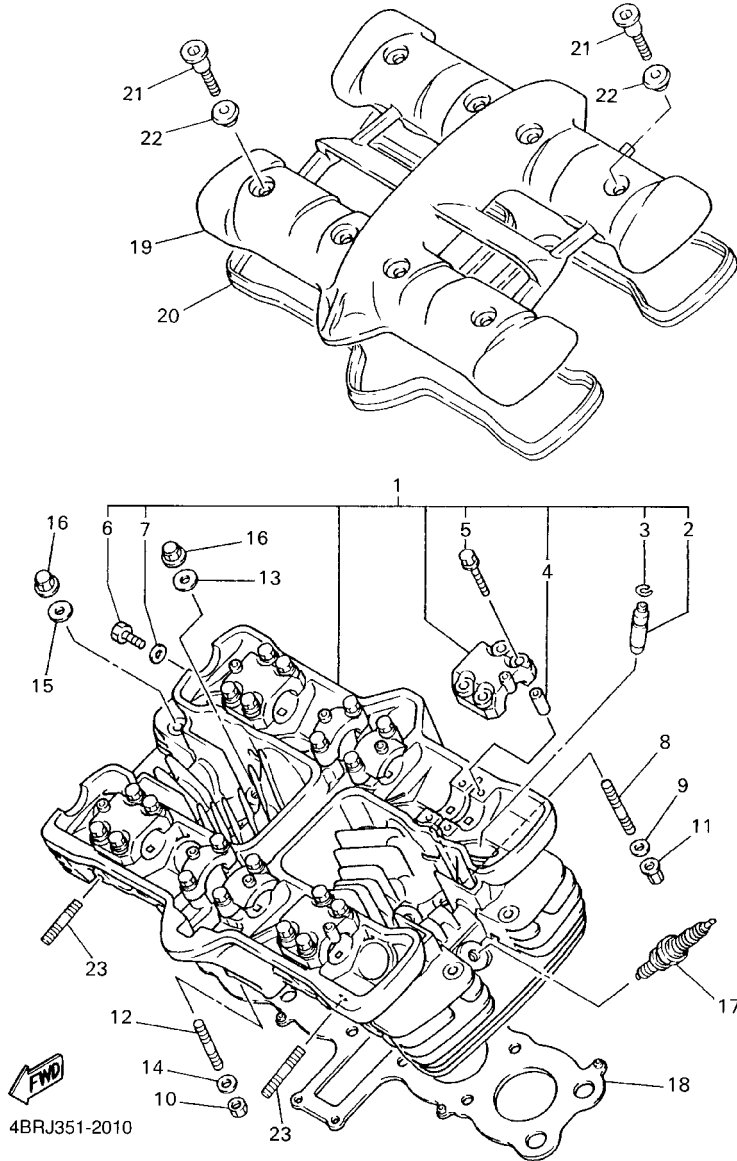
(4) Model Code – Production Code Number of Model Listed in This Parts Catalog

Model Code	Production Code No.	Country (destination)	Model Code	Production Code No.	Country (destination)
4KED	020	BELGIUM	4MB9	050	HOLLAND
	040	DENMARK	4KF9	010	SWITZERLAND
	060	FINLAND		020	AUSTRIA
	070	ENGLAND			
	071	ENGLAND			
	080	GREECE			
	090	IRELAND			
	100	ITALY			
	101	ITALY			
	110	HOLLAND			
	111	HOLLAND			
	120	NORWAY			
	130	PORTUGAL			
	140	SWEDEN			
4MB9	040	ENGLAND			

(5) Colouring Information

Colouring type code	Colour code	Colour Name	Abbreviation
A	0580	VIVID RED COCKTAIL 7	VRC7
B	0660	SILVER METALLIC 1	SM1

FIG. 1 CYLINDER HEAD



REF. NO.	PART NO.	DESCRIPTION	4KED	4MB9	4KF9	REMARKS
1	4BR-11101-10	CYLINDER HEAD ASSY	1	1	1	
2	4BR-11133-10	.GUIDE, INTAKE VALVE	8	8	8	
3	93440-09141	.CIRCLIP	8	8	8	
4	99510-08016	.PIN, DOWEL	12	12	12	
5	90105-06153	.BOLT, FLANGE	24	24	24	
6	90153-06029	.SCREW, HEXAGON	1	1	1	
7	90430-06014	.GASKET	1	1	1	
8	95617-06618	BOLT, STUD	2	2	2	
9	92907-06200	WASHER	2	2	2	
10	95317-06600	NUT	2	2	2	
11	90179-06500	NUT	2	2	2	
12	95617-06630	BOLT, STUD	2	2	2	
13	90201-08366	WASHER, PLATE	10	10	10	
14	92907-06200	WASHER	2	2	2	
15	90201-08609	WASHER, PLATE	2	2	2	
16	90176-08080	NUT, CROWN	12	12	12	
17	94701-00330	PLUG, SPARK (NGK CR8E)	4	4	4	UR
	94701-00329	PLUG, SPARK (U24ESR-N)	4	4	4	UR
18	4BR-11181-00	GASKET, CYLINDER HEAD 1	1	1	1	
19	4DU-11191-00	COVER, CYLINDER HEAD 1	1	1	1	
20	4BR-11193-10	GASKET, HEAD COVER 1	1	1	1	
21	90109-066F0	BOLT	8	8	8	
22	4KG-1111G-00	RUBBER, MOUNT 1	8	8	8	
23	90116-08360	BOLT, STUD	8	8	8	

