

# PARTS CATALOGUE

<b>WR426FP</b>	<b>(5NG5)</b>	<b>U.S.A.</b>
<b>WR426F</b>	<b>(5NG6)</b>	<b>EUROPE</b>
<b>WR426FP</b>	<b>(5NG8)</b>	<b>OCEANIA,CANADA,S.AFRICA</b>
<b>WR400F</b>	<b>(5GSA)</b>	<b>EUROPE,OCEANIA</b>

**YAMAHA**  
**GENUINE**  
Parts & Accessories

2A5NG-100E2

WR426FP/WR426F/WR400F  
PARTS CATALOGUE  
©2002 by Yamaha Motor Co., Ltd.  
1st Edition, April 2002  
All rights reserved.  
Any reprinting or unauthorized use  
without the written permission of  
Yamaha Motor Co., Ltd.  
is expressly prohibited.

**A3**



A4

# FOREWORD

This Parts Catalogue is related to the parts for the model(s) in the below frame. When you are ordering replacement parts, please refer to this Parts Catalogue and quote both part numbers and part names correctly.

WR426FP(5NG5,5NG8)WR426F(5NG6)WR400F(5GSA)

1. Modifications or additions which have been made after issue of the Parts Catalogue will be announced in the Yamaha Parts News.  
It is advisable that you make necessary corrections to the Parts Catalogue according to the Yamaha Parts News.

2. Abbreviations

The Following abbreviations are used in this Parts Catalogue.

"UR" Use specified parts number.

"UN" Use as many as needed.

"AP" Alternate Parts

"LM" Local Made (Parts need to be ordered locally)

"F#" Frame No. (Applicable machine No.)

3. Parts, which are to be supplied in an assembly, are listed with a dot(.) in front of the part name as shown below.

EXAMPLE

CARBURETOR ASSY

.JET, PILOT

.NOZZLE, MAIN

4. Number of component for assembly

The numeral appearing to the right of each component part indicates the quantity of parts for each assembly unit.

EXAMPLE

PART NO.	DESCRIPTION	Q'TY	REMARKS
2F5-83310-60	FRONT FLASHER LIGHT ASSY	2	
115-83311-60	.BULB (6V-18W)	1	
1M1-83309-60	.REFLECTOR	1	

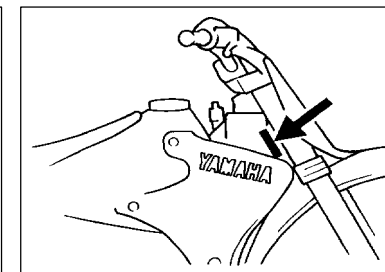
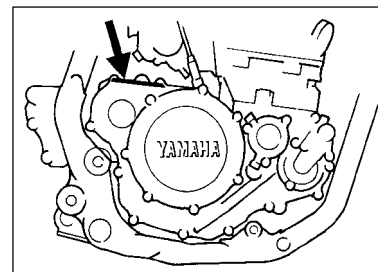
5. Applicable colors of graphics are represented in the "REMARKS" as shown below.

PART NO.	DESCRIPTION	Q'TY	REMARKS
2N4-24110-00-X5	.FUEL TANK COMP.	2	MXR
3J1-24240-10	.GRAPHIC, FUEL TANK	1	for MXR

6. Applicable Serial No.

Engine Serial No.

Frame Serial No.



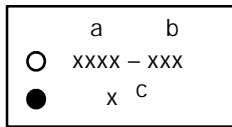
7. Note that the illustrations for reference in finding parts numbers, not to be used for assembling. When assembling, please use the applicable service manual.

8. The asterisk (\*) before a reference number indicates modification items after the first edition.

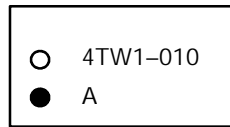
# MODEL LABEL

(1) A label called "Model Label" is affixed in the location as indicated in (3) below.  
When using this parts catalogue, please be sure to cross-refer the "model code – production code No." in the catalogue to the "model code – production code No." indicated on the Model Label affixed onto the product concerned.

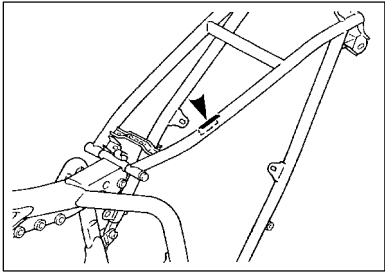
(2) "Model Label" Indication



a: Model Type Code  
b: Production Code No.  
c: Colouring Type



(3) Model Label Affixing Location



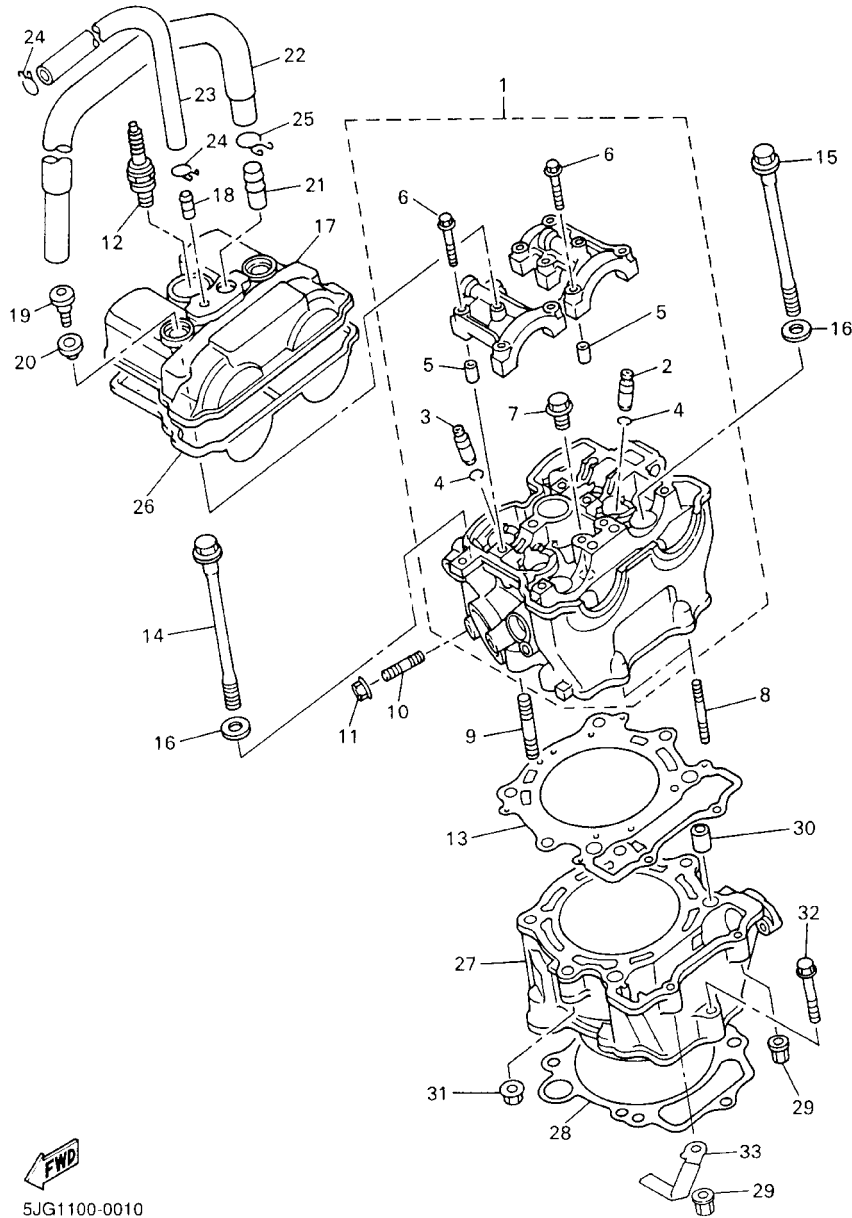
(4) Model Code – Production Code Number of Model Listed in This Parts Catalog

Model Code	Production Code No.	Country (destination)	Model Code	Production Code No.	Country (destination)
5NG5	010	U49	5NG8	040	S.AFRICA
5NG6	010	FRANCE	5GSA	010	FRANCE
	020	BELGIUM		020	AUSTRALIA
	030	GERMANY		030	GERMANY
	040	SPAIN		040	SPAIN
	050	FINLAND		050	ENGLAND
		IRELAND		060	ITALY
	060	ENGLAND		070	SWEDEN
	070	GREECE			
	080	ITALY			
	090	PORTUGAL			
5NG8	100	SWEDEN			
	010	AUSTRALIA			
	020	CANADA			
	030	NEWZEALAND			

(5) Colouring Information

Colouring type code	Colour code	Colour Name	Abbreviation
A	0538	DEEP PURPLISH BLUE SOLID E	DPBSE

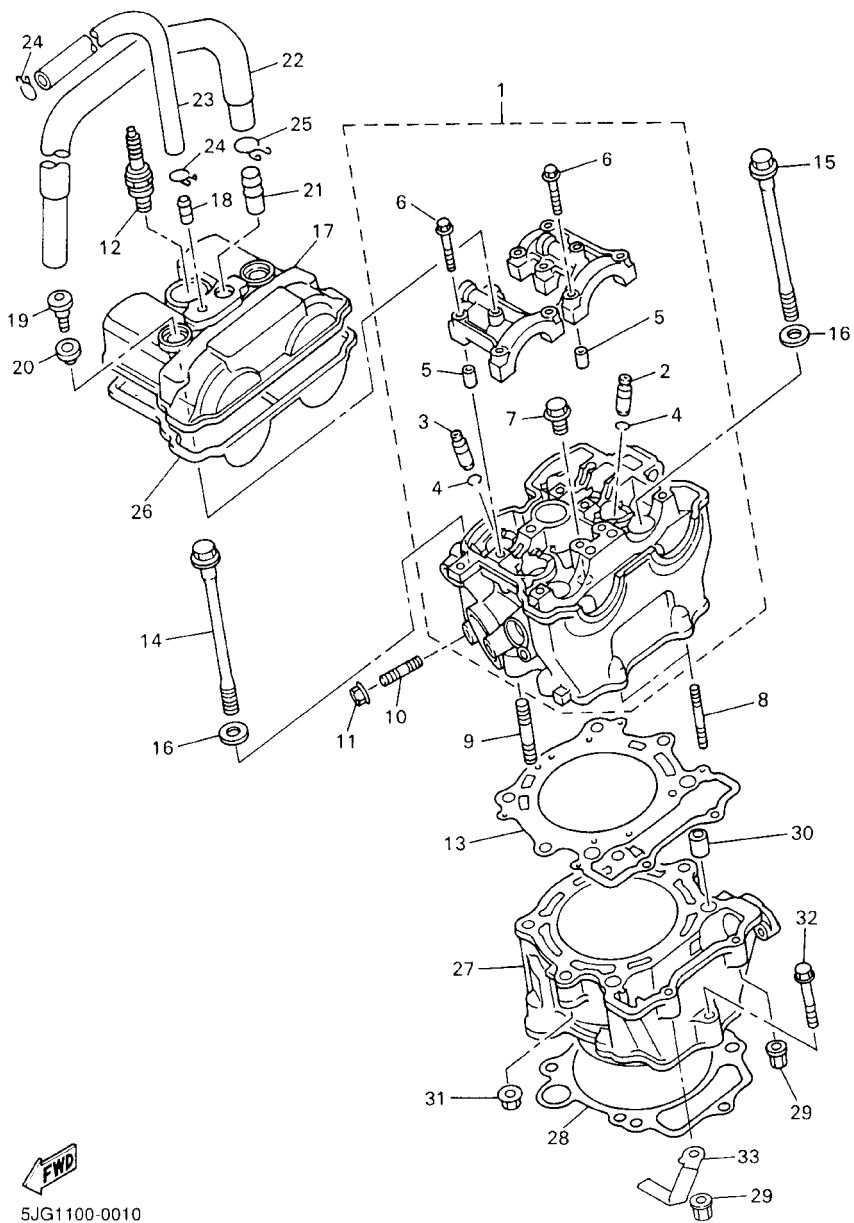
FIG. 1 CYLINDER



5JG1100-0010

REF. NO.	PART NO.	DESCRIPTION	5NG5	5NG6	5NG8	5GSA	REMARKS
1	5JG-11102-20	CYLINDER HEAD ASSY	1	1	1		
	5BE-11102-50	CYLINDER HEAD ASSY				1	
2	5BE-11133-10	.GUIDE, INTAKE VALVE	3	3	3	3	
3	5BE-11134-10	.GUIDE, EXHAUST VALVE	2	2	2	2	
4	93440-10153	.CIRCLIP	5	5	5	5	
5	91808-16023	.PIN, DOWEL	4	4	4	4	
6	90105-06027	.BOLT, FLANGE	10	10	10	10	
7	90340-12112	.PLUG, STRAIGHT SCREW	1	1	1	1	
8	95617-06635	BOLT, STUD	2	2	2	2	
9	95617-08635	BOLT, STUD	2	2	2	2	
10	95617-08620	BOLT, STUD	1	1	1	1	
11	95707-08500	NUT, FLANGE	1	1	1	1	
12	94701-00330	PLUG, SPARK (NGK CR8E)	1	1	1	1	UR
	94701-00329	PLUG, SPARK (U24ESR-N)	1	1	1	1	UR
13	5JG-11181-00	GASKET, CYLINDER HEAD 1	1	1	1		
	5GR-11181-00	GASKET, CYLINDER HEAD 1				1	
14	90105-104A7	BOLT, FLANGE	2	2	2	2	
15	90105-106A3	BOLT, FLANGE	2	2	2	2	
16	90201-101A4	WASHER, PLATE	4	4	4	4	
17	5BE-11191-00	COVER, CYLINDER HEAD 1	1	1	1	1	
18	5BE-11167-00	PIPE, BREATHER 2	1	1	1	1	
19	90109-066F0	BOLT	2	2	2	2	
20	4KG-1111G-00	RUBBER, MOUNT 1	2	2	2	2	
21	371-11167-01	PIPE, BREATHER 2	1	1	1	1	
22	5BE-11166-00	PIPE, BREATHER 1	1	1	1	1	
23	90445-112K0	HOSÉ (L285)	1	1	1	1	
24	90467-11106	CLIP	2	2	2	2	

FIG. 1 CYLINDER



REF. NO.	PART NO.	DESCRIPTION	5NG5	9NG5	5NG8	5GS5	REMARKS
25	90467-14015	CLIP	1	1	1	1	
26	5BE-11193-10	GASKET, HEAD COVER 1	1	1	1	1	
27	5JG-11311-00	CYLINDER 1	1	1	1		
	5BE-11311-10	CYLINDER 1				1	
28	5BE-11351-00	GASKET, CYLINDER	1	1	1	1	
29	90179-06500	NUT	2	2	2	2	
30	93612-16254	PIN, DOWEL	2	2	2	2	
31	90179-08270	NUT	2	2	2	2	
32	95027-06040	BOLT, FLANGE	1	1	1	1	
33	5JG-11387-00	CLAMP, HOSE 1	1	1	1	1	

5JG1100-0010