

# PARTS CATALOGUE

**TDM900** (5PS1) EUROPE  
**TDM900P** (5PS2) OCEANIA

---

**YAMAHA**  
**GENUINE**  
Parts & Accessories

1A5PS-300E2

TDM900/TDM900P  
PARTS CATALOGUE  
©2002 by Yamaha Motor Co., Ltd.  
1st Edition, Apr. 2002  
All rights reserved.  
Any reprinting or unauthorized use  
without the written permission of  
Yamaha Motor Co., Ltd.  
is expressly prohibited.  
Printed in Japan

**A3**



A4

# FOREWORD

This Parts Catalogue is related to the parts for the model(s) in the below frame. When you are ordering replacement parts, please refer to this Parts Catalogue and quote both part numbers and part names correctly.

TDM900(5PS1),TDM900P(5PS2)

1. Modifications or additions which have been made after issue of the Parts Catalogue will be announced in the Yamaha Parts News.  
It is advisable that you make necessary corrections to the Parts Catalogue according to the Yamaha Parts News.

2. Abbreviations

The Following abbreviations are used in this Parts Catalogue.

- “UR” Use specified parts number.
- “UN” Use as many as needed.
- “AP” Alternate Parts
- “LM” Local Made (Parts need to be ordered locally)
- “F#” Frame No. (Applicable machine No.)

3. Parts, which are to be supplied in an assembly, are listed with a dot(.) in front of the part name as shown below.

EXAMPLE

- CARBURETOR ASSY
- .JET, PILOT
- .NOZZLE, MAIN

4. Number of component for assembly

The numeral appearing to the right of each component part indicates the quantity of parts for each assembly unit.

EXAMPLE

PART NO.	DESCRIPTION	Q'TY	REMARKS
2F5-83310-60	FRONT FLASHER LIGHT ASSY	2	
115-83311-60	.BULB (6V-18W)	1	
1M1-83309-60	.REFLECTOR	1	

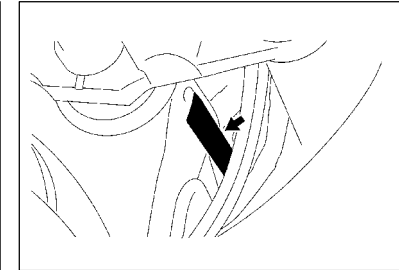
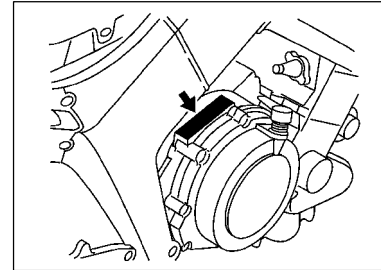
5. Applicable colors of graphics are represented in the “REMARKS” as shown below.

PART NO.	DESCRIPTION	Q'TY	REMARKS
2N4-24110-00-X5	FUEL TANK COMP.	1	MXR
3J1-24240-10	.GRAPHIC, FUEL TANK	1	FOR MXR

6. Applicable Serial No.

Engine Serial No.

Frame Serial No.



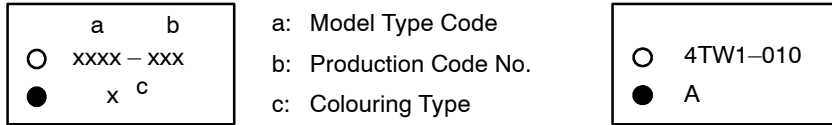
7. Note that the illustrations for reference in finding parts numbers, not to be used for assembling. When assembling, please use the applicable service manual.

8. The asterisk (\*) before a reference number indicates modification items after the first edition.

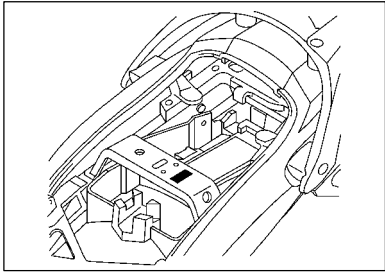
# MODEL LABEL

(1) A label called "Model Label" is affixed in the location as indicated in (3) below.  
When using this parts catalogue, please be sure to cross-refer the "model code – production code No." in the catalogue to the "model code – production code No." indicated on the Model Label affixed onto the product concerned.

(2) "Model Label" Indication



(3) Model Label Affixing Location



(4) Model Code – Production Code Number of Model Listed in This Parts Catalog

Model Code	Production Code No.	Country (destination)	Model Code	Production Code No.	Country (destination)
5PS1	020	BELGIUM			
	021				
	050	ENGLAND			
	051				
	060	GREECE			
	070	ITALY			
	080	HOLLAND			
	081				
	090	NORWAY			
100	SOUTH AFRICA				
5PS2	010	AUSTRALIA			

(5) Colouring Information

Model Code	Colouring type code	Colour code	Colour Name	Abbreviation
5PS1	A	0781	VERY DARK BLUE METALLIC A	VDBMA
	B	0791	SILVER 3	S3
5PS2	C	0251	REDDISH YELLOW COCKTAIL 1	RYC1

# CONTENTS

## ENGINE

CYLINDER HEAD .....	B2
CYLINDER .....	B4
CRANKSHAFT. PISTON .....	B5
VALVE .....	B6
CAMSHAFT. CHAIN .....	B8
WATER PUMP .....	B9
RADIATOR. HOSE .....	B10
OIL PUMP .....	B12
INTAKE .....	B15
INTAKE 2 .....	C3
EXHAUST .....	C5
CRANKCASE .....	C6
CRANKCASE COVER 1 .....	C8
STARTER CLUTCH .....	C10
CLUTCH .....	C11
TRANSMISSION .....	C13
SHIFT CAM. FORK .....	C15
SHIFT SHAFT .....	D2

## CHASSIS

FRAME .....	D3
FENDER .....	D4
SIDE COVER .....	D7
REAR ARM .....	D8
REAR SUSPENSION .....	D10
STEERING .....	D11
FRONT FORK .....	D12
FUEL TANK .....	D14
SEAT .....	E2

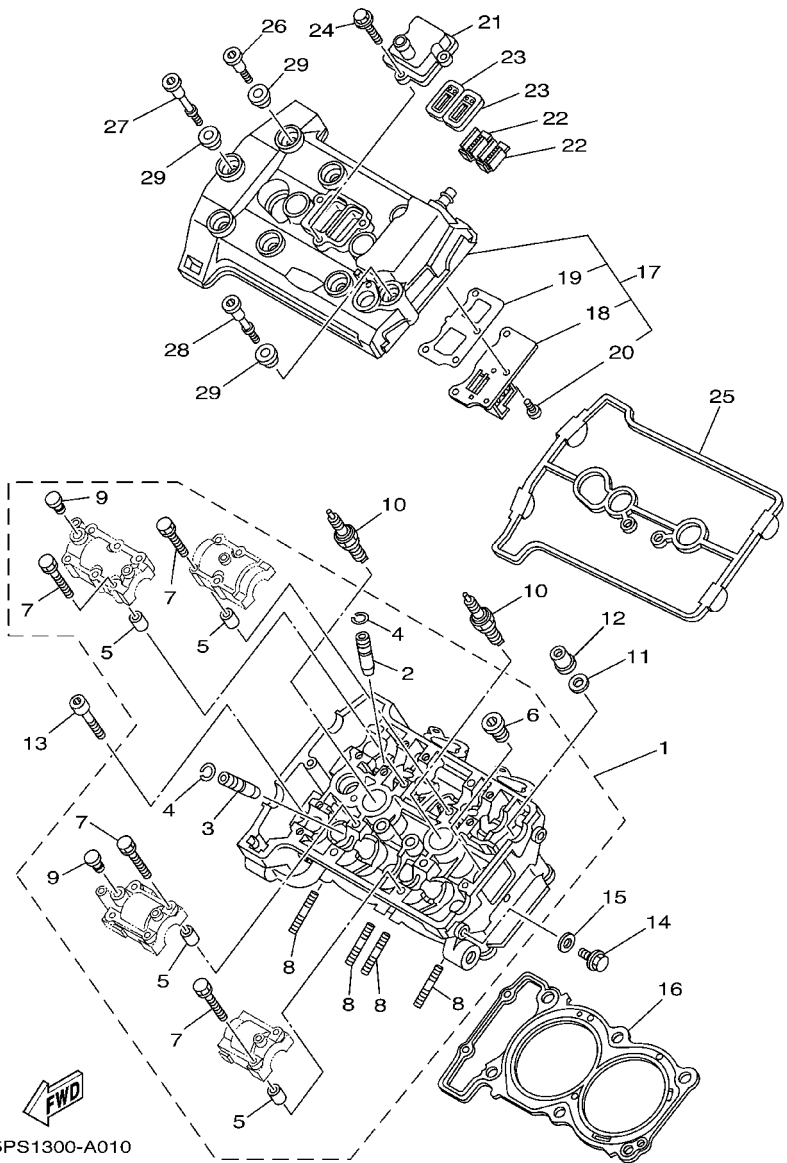
FRONT WHEEL .....	E3
FRONT BRAKE CALIPER .....	E4
REAR WHEEL .....	E5
REAR BRAKE CALIPER .....	E7
STEERING HANDLE. CABLE .....	E8
FRONT MASTER CYLINDER .....	E9
STAND. FOOTREST .....	E10
REAR MASTER CYLINDER .....	E12
COWLING 1 .....	E14
GENERATOR .....	F3
STARTING MOTOR .....	F4
FLASHER LIGHT .....	F5
METER .....	F6
HEADLIGHT .....	F7
TAILLIGHT .....	F8
HANDLE SWITCH. LEVER .....	F9
ELECTRICAL 1 .....	F10
ELECTRICAL 2 .....	F12

## INDEX

NUMERICAL INDEX .....	M1
-----------------------	----

**FIG. 1 CYLINDER HEAD**

REF. NO.	PART NO.	DESCRIPTION			REMARKS
			5PS1	5PS2	
1	5PS-11101-00	CYLINDER HEAD ASSY	1	1	
2	3LD-11133-10	.GUIDE, INTAKE VALVE	6	6	
3	3LD-11134-10	.GUIDE, EXHAUST VALVE	4	4	
4	93440-10109	.CIRCLIP	10	10	
5	91808-16023	.PIN, DOWEL	8	8	
6	90340-18101	.PLUG, STRAIGHT SCREW	2	2	
7	90105-06153	.BOLT, FLANGE	16	16	
8	95617-08625	.BOLT, STUD	4	4	
9	90338-10150	.PLUG	2	2	
10	94701-00241	PLUG, SPARK (NGK DPR8EA-9)	2	2	UR
	94701-00242	PLUG, SPARK (ND X24EPR-U9)	2	2	UR
11	90201-103M4	WASHER, PLATE	6	6	
12	90179-10414	NUT	6	6	
13	91317-06150	BOLT	2	2	
14	95024-08012	BOLT, FLANGE	1	1	
15	90430-08119	GASKET	1	1	
16	5PS-11181-00	GASKET, CYLINDER HEAD 1	1	1	
17	5PS-11190-00	COVER, CYLINDER HEAD 1	1	1	
18	5PS-11165-00	.PLATE, BREATHER	1	1	
19	5PS-11169-00	.GASKET, BREATHER COVER	1	1	
20	90149-05009	.SCREW	3	3	
21	5PS-14899-00	CAP, CASE	1	1	
22	5PS-1482K-00	PLATE	2	2	
23	5PS-14890-00	REED VALVE ASS	2	2	
24	95027-06020	BOLT, FLANGE	3	3	
25	5PS-11193-00	GASKET, HEAD COVER 1	1	1	
26	90109-066F0	BOLT	6	6	



5PS1300-A010