

# CONTENTS

## GENERAL SPEC.

### ENGINE

Cylinder .....	B2 ~ B4
Crankshaft · Piston .....	B5 ~ B6
Water Pump · Piping .....	B7 ~ B8
Radiator · Hose .....	B9 ~ B10
Oil Pump 1 .....	B11
Oil Pump 2 .....	B12 ~ B13
Intake .....	B14 ~ B15
Carburetor .....	C2 ~ C4
Exhaust .....	C5 ~ C6
Crankcase .....	C7 ~ C8
Crankcase Cover 1 .....	C9 ~ C10
Starter .....	C11
Clutch .....	C12 ~ C13
Transmission .....	C14 ~ C15
Shift Cam · Fork .....	D2
Shift Shaft .....	D3

### CHASSIS

Frame .....	D4 ~ D5
Fender .....	D6
Side Cover .....	D7 ~ D8
Oil Tank .....	D9
Rear Arm .....	D10 ~ D11
Rear Suspension .....	D12
Steering .....	D13
Front Fork .....	D14 ~ E2
Fuel Tank .....	E3 ~ E4
Seat .....	E5 ~ E6
Front Wheel .....	E7

Front Brake Caliper .....	E8
Rear Wheel .....	E9 ~ E10
Rear Brake Caliper .....	E11
Steering Handle · Cable .....	E12
Front Master Cylinder .....	E13
Stand · Footrest .....	E14 ~ E15
Rear Master Cylinder .....	F2 ~ F3
Cowling 1 .....	F4 ~ F6
Generator .....	F7
Flasher Light .....	F8
Meter .....	F9
Headlight .....	F10
Taillight .....	F11
Handle Switch · Lever .....	F12
Electrical 1 .....	F13 ~ F14
Electrical 2 .....	F15

### INDEX (GENERAL SPEC.)

Numerical Index .....	L2 ~ L6
-----------------------	---------

## INDIVIDUAL SPEC.

### FOR NORWAY

Alternate (Chassis) .....	G3
Alternate (Headlight) .....	G4

### FOR SWEDEN

Alternate (Engine) .....	G6
Alternate (Chassis) .....	G7
Alternate (Headlight) .....	G8

### FOR FINLAND

Alternate (Chassis) .....	G10
Alternate (Headlight) .....	G11

### FOR DENMARK

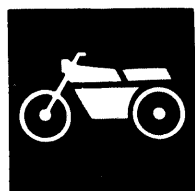
Alternate (Chassis) .....	G13
Alternate (Headlight) .....	G14

### FOR AUSTRIA

Alternate (Chassis) .....	H2 ~ H3
---------------------------	---------

### INDEX (INDIVIDUAL SPEC.)

Numerical Index .....	M2
-----------------------	----



# **YAMAHA**

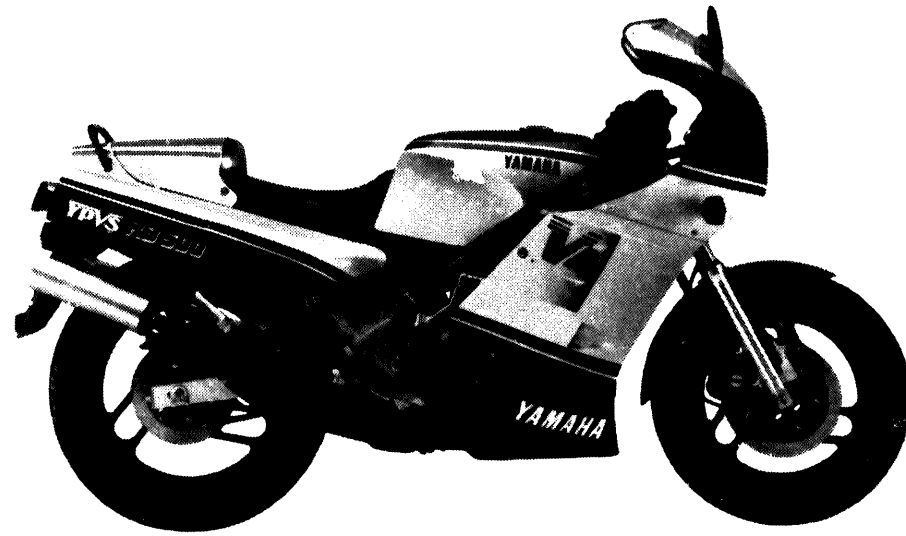
## **PARTS CATALOGUE**

### **RD500LC'85 (1GE)**

**EUROPE**

**251GE-300E1**

**A2**



**A3**

# FOREWORD

This Parts Catalogue is related to the parts in use for the Yamaha RD500LC '85 (1GE).  
When you are ordering replacement parts for the RD500LC '85 (1GE), refer to this Parts Catalogue and quote both part numbers and part names correctly.

1. Modifications or additions which have been made after issue of the Parts Catalogue will be announced in the Yamaha Parts News.  
It is advisable that according to the Yamaha Parts News you make necessary corrections to the Parts Catalogue on hand to keep it up-to-date.

2. Abbreviations

The following abbreviations are used in this Parts Catalogue.

- U.R. Use size (thickness) and/or number as required.
- U.N. Use as many as you need.
- A.P. Alternate Parts
- L.M. Local Made
- F# Frame No. (Applicable machine No.)

3. The parts marked with (-) in the parts number column of this Catalogue are not supplied with by Yamaha, those have to be found locally.
4. Parts, which are to be supplied in the form of assemblies, are listed with an indention of one letter's space, and a dot (.) is put against the name of each part.

**EXAMPLE** CARBURETOR ASS'Y  
     . JET, pilot  
     . NOZZLE, main

5. Indication of No. of constituent parts for assembly

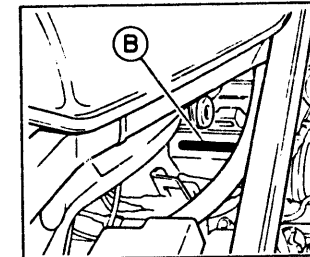
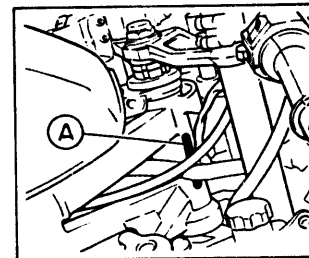
The numeral appearing to the right of each constituent part under the description indicates the quantity of such parts for each individual assembly unit.

**EXAMPLE**

Part No.	Description	Q'ty	Remarks
2F5-83310-60	FRONT FLASHER LIGHT ASS'Y	2	
11J-83311-60	. BULB (6V-18W)	1	
1M1-83309-60	. REFLECTOR	1	

6. Initial Serial No. and Color Code

(A) Frame Serial No.	1GE-000101 and following
(B) Engine Serial No.	1GE-000101 and following



Color Code	Color Name	Abbreviate
GE/AJ	Silky White/Stormy Red	SW/SMR
AJ/6G	Stormy Red/New Yamaha Black	SMR/NYB

7. Applicable colors of graphics are represented in the "Remarks" column by the letter(s) appropriately picked out of the full word(s) showing such colors.

**EXAMPLE**

Part No.	Description	Q'ty	Remarks
2N4-24110-00-X5	FUEL TANK COMP.	1	MAXIM RED
3J1-24240-10	. GRAPHIC, fuel tank set	1	for MXR

# CONTENTS

## GENERAL SPEC.

### ENGINE

Cylinder .....	B2 ~ B4
Crankshaft · Piston .....	B5 ~ B6
Water Pump · Piping .....	B7 ~ B8
Radiator · Hose .....	B9 ~ B10
Oil Pump 1 .....	B11
Oil Pump 2 .....	B12 ~ B13
Intake .....	B14 ~ B15
Carburetor .....	C2 ~ C4
Exhaust .....	C5 ~ C6
Crankcase .....	C7 ~ C8
Crankcase Cover 1 .....	C9 ~ C10
Starter .....	C11
Clutch .....	C12 ~ C13
Transmission .....	C14 ~ C15
Shift Cam · Fork .....	D2
Shift Shaft .....	D3

### CHASSIS

Frame .....	D4 ~ D5
Fender .....	D6
Side Cover .....	D7 ~ D8
Oil Tank .....	D9
Rear Arm .....	D10 ~ D11
Rear Suspension .....	D12
Steering .....	D13
Front Fork .....	D14 ~ E2
Fuel Tank .....	E3 ~ E4
Seat .....	E5 ~ E6
Front Wheel .....	E7

Front Brake Caliper .....	E8
Rear Wheel .....	E9 ~ E10
Rear Brake Caliper .....	E11
Steering Handle · Cable .....	E12
Front Master Cylinder .....	E13
Stand · Footrest .....	E14 ~ E15
Rear Master Cylinder .....	F2 ~ F3
Cowling 1 .....	F4 F6
Generator .....	F7
Flasher Light .....	F8
Meter .....	F9
Headlight .....	F10
Taillight .....	F11
Handle Switch · Lever .....	F12
Electrical 1 .....	F13 ~ F14
Electrical 2 .....	F15

### INDEX (GENERAL SPEC.)

Numerical Index .....	L2 ~ L6
-----------------------	---------

## INDIVIDUAL SPEC.

### FOR NORWAY

Alternate (Chassis) .....	G3
Alternate (Headlight) .....	G4

### FOR SWEDEN

Alternate (Engine) .....	G6
Alternate (Chassis) .....	G7
Alternate (Headlight) .....	G8

### FOR FINLAND

Alternate (Chassis) .....	G10
Alternate (Headlight) .....	G11

### FOR DENMARK

Alternate (Chassis) .....	G13
Alternate (Headlight) .....	G14

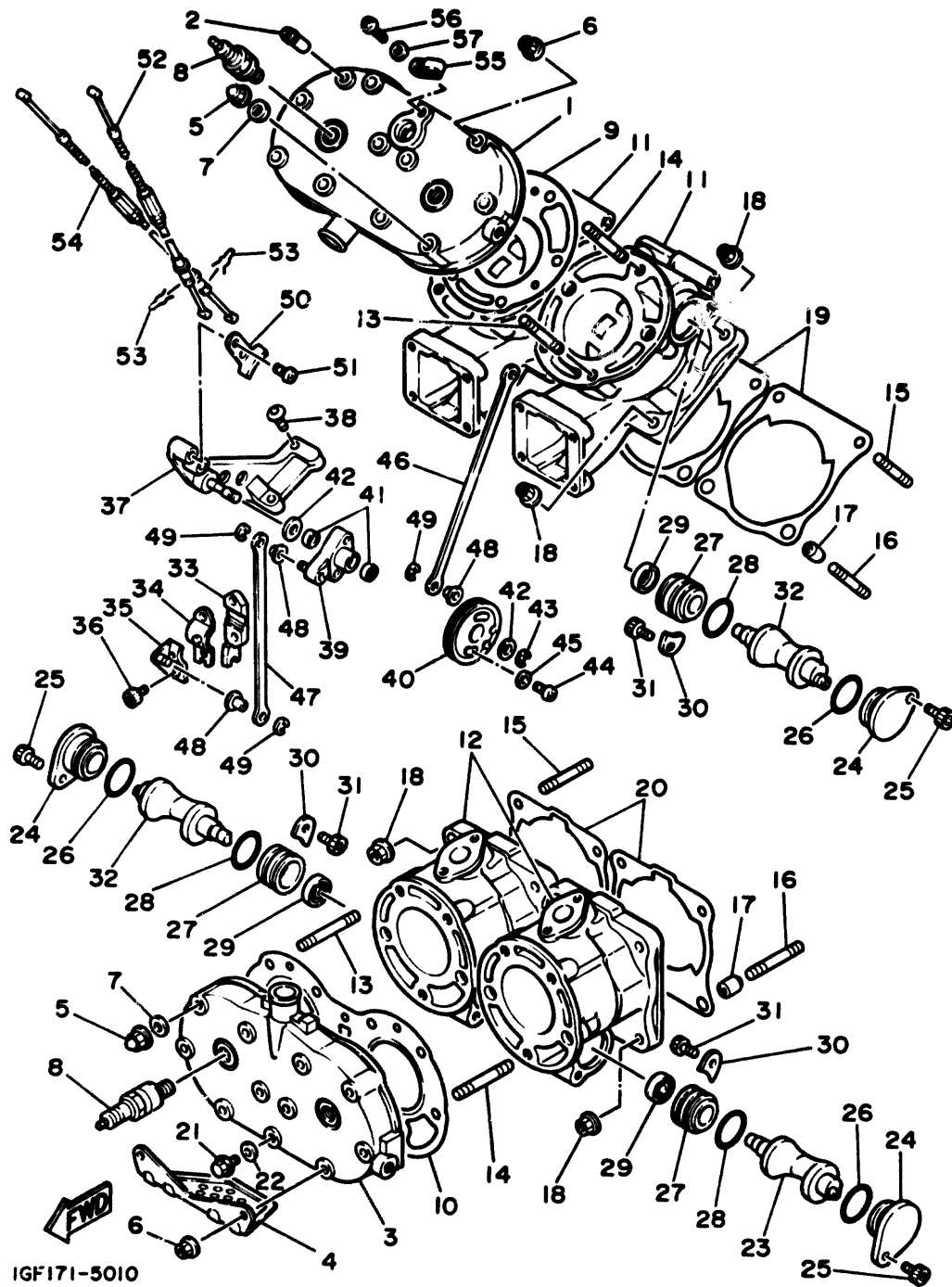
### FOR AUSTRIA

Alternate (Chassis) .....	H2 H3
---------------------------	-------

### INDEX (INDIVIDUAL SPEC.)

Numerical Index .....	M2
-----------------------	----

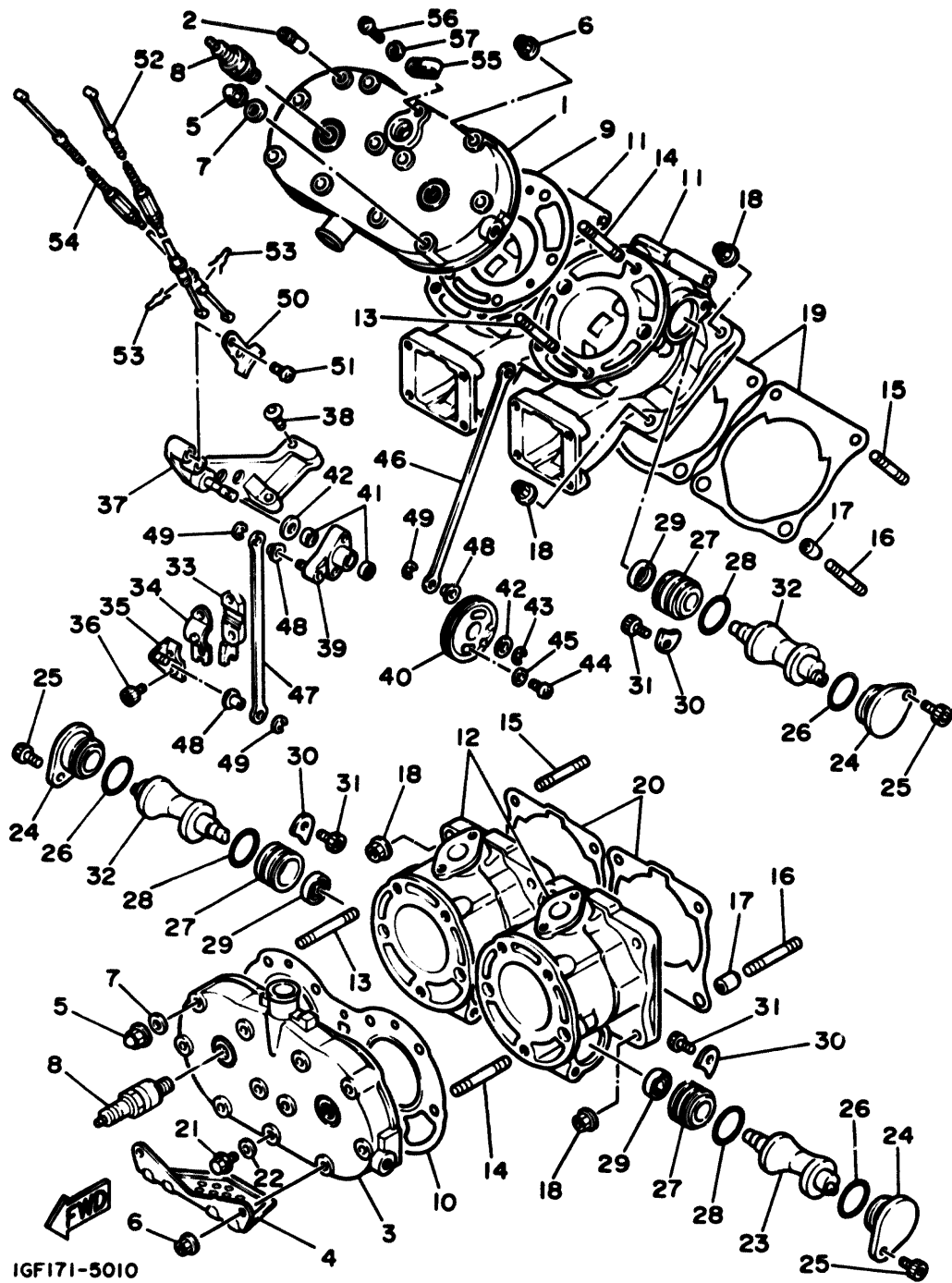
FIG. 1 CYLINDER



IGF171-5010

REF. NO.	PART NO.	DESCRIPTION	Q'TY	REMARKS
1	1GE-11111-00	HEAD, cylinder 1	1	
2	47X-12584-00	JOINT, hose 3	1	
3	1GE-11121-00	HEAD, cylinder 2	1	
4	47X-1111M-00	COVER 1	1	
5	90176-08026	NUT, crown	8	
6	90179-08299	NUT	12	
7	90201-08087	WASHER, plate	8	
8	94702-00251	PLUG, spark (NGK BR9HS)	4	
9	47X-11181-00	GASKET, cylinder head 1	1	
10	47X-11182-00	GASKET, cylinder head 2	1	
11	47X-W1131-01	CYLINDER	2	
12	47X-W1135-01	CYLINDER2	2	
13	90116-08448	BOLT, stud	8	
14	90116-08392	BOLT, stud	12	
15	90116-08318	BOLT, stud	8	
16	90116-08388	BOLT, stud	8	
17	91810-03014	PIN, dowel	8	
18	90179-08299	NUT	16	
19	47X-11351-00	GASKET, cylinder	2	
20	47X-11352-00	GASKET, cylinder 2	2	
21	95026-08012	BOLT, flange	1	
22	90430-08119	GASKET	1	
23	47X-1131A-00	VALVE 1	2	
24	47X-1131E-00	HOLDER 1	4	
25	91316-05012	BOLT	4	
26	93210-27370	O-RING	4	
27	47X-1131F-00	HOLDER 2	.	
28	93210-27370	O-RING	4	

**B2**



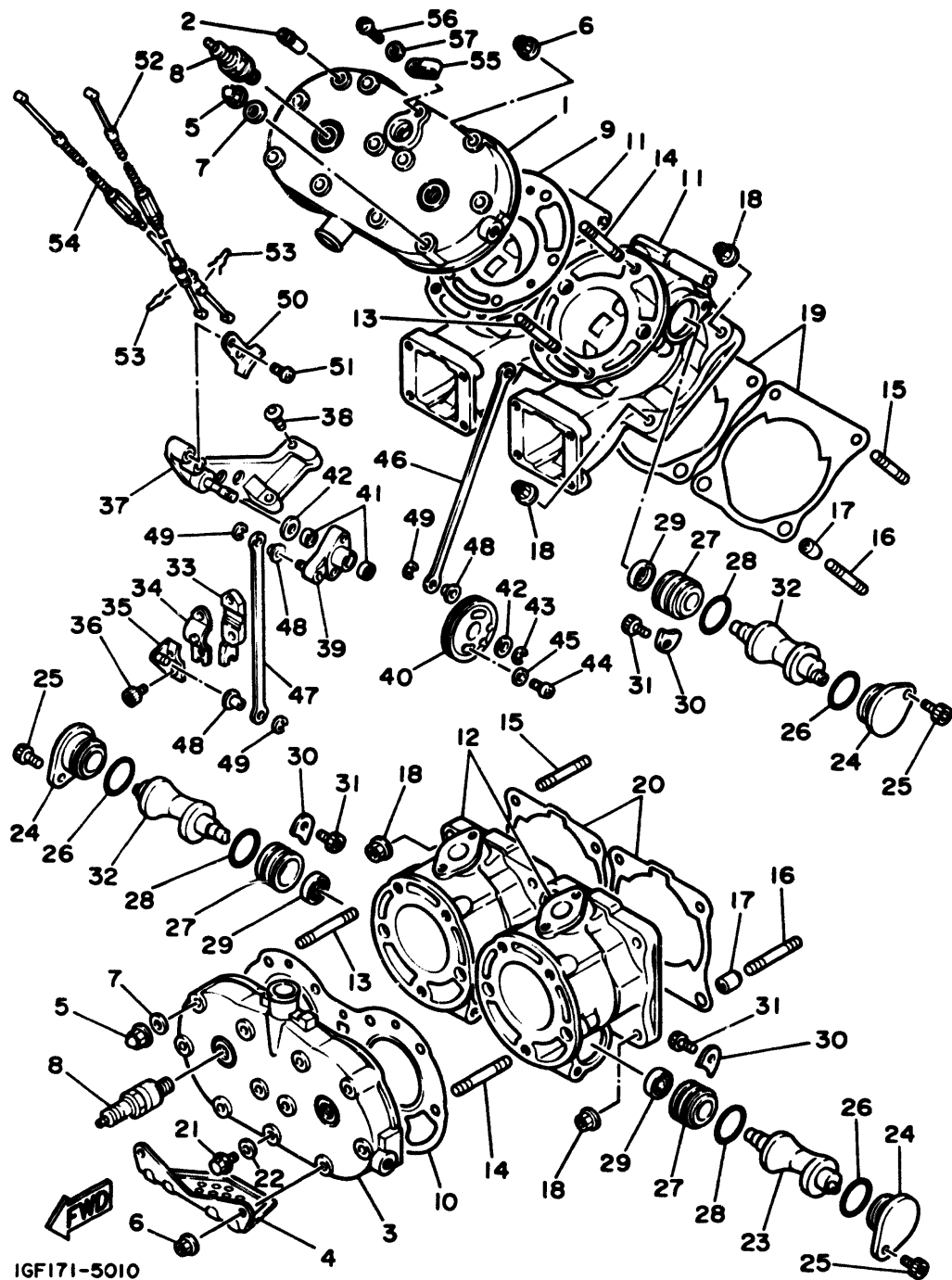
IGF171-5010

FIG. 1 CYLINDER

REF. NO.	PART NO.	DESCRIPTION	Q'TY	REMARKS
29	93108-23010	OIL SEAL	4	
30	47X-11915-00	PLATE, thrust 1	4	
31	91311-05008	BOLT	4	
32	47X-1132A-00	VALVE 2	2	
33	47X-1131H-00	JOINT 1	2	
34	47X-1131J-00	JOINT 2	2	
35	47X-1131K-00	JOINT 3	2	
36	91312-05012	BOLT	4	
37	47X-1135A-00	BRACKET	1	
38	91316-06020	BOLT	2	
39	47X-1132E-01	PULLEY 1	1	
40	47X-1132F-01	PULLEY 2	1	
41	93104-08040	OIL SEAL	2	
42	90201-08403	WASHER, plate	2	
43	99001-07600	CIRCLIP	1	
44	98501-05020	SCREW, pan head	2	
45	92901-05600	WASHER, plate	2	
46	47X-1132G-01	ROD 1	1	
47	47X-1132H-01	ROD 2	1	
48	90201-06431	WASHER, plate	4	
49	99001-05600	CIRCLIP	4	
50	47X-1131U-02	HOLDER 3	1	
51	92501-06012	SCREW, pan head	2	
52	47X-1133E-00	CABLE, pulley 1	1	
53	90468-08086	CLIP	2	
54	47X-1133F-00	CABLE, pulley 2	1	
55	90461-06103	CLAMP	1	
56	92506-06010	SCREW, pan head	1	

**B3**

FIG. 1 CYLINDER



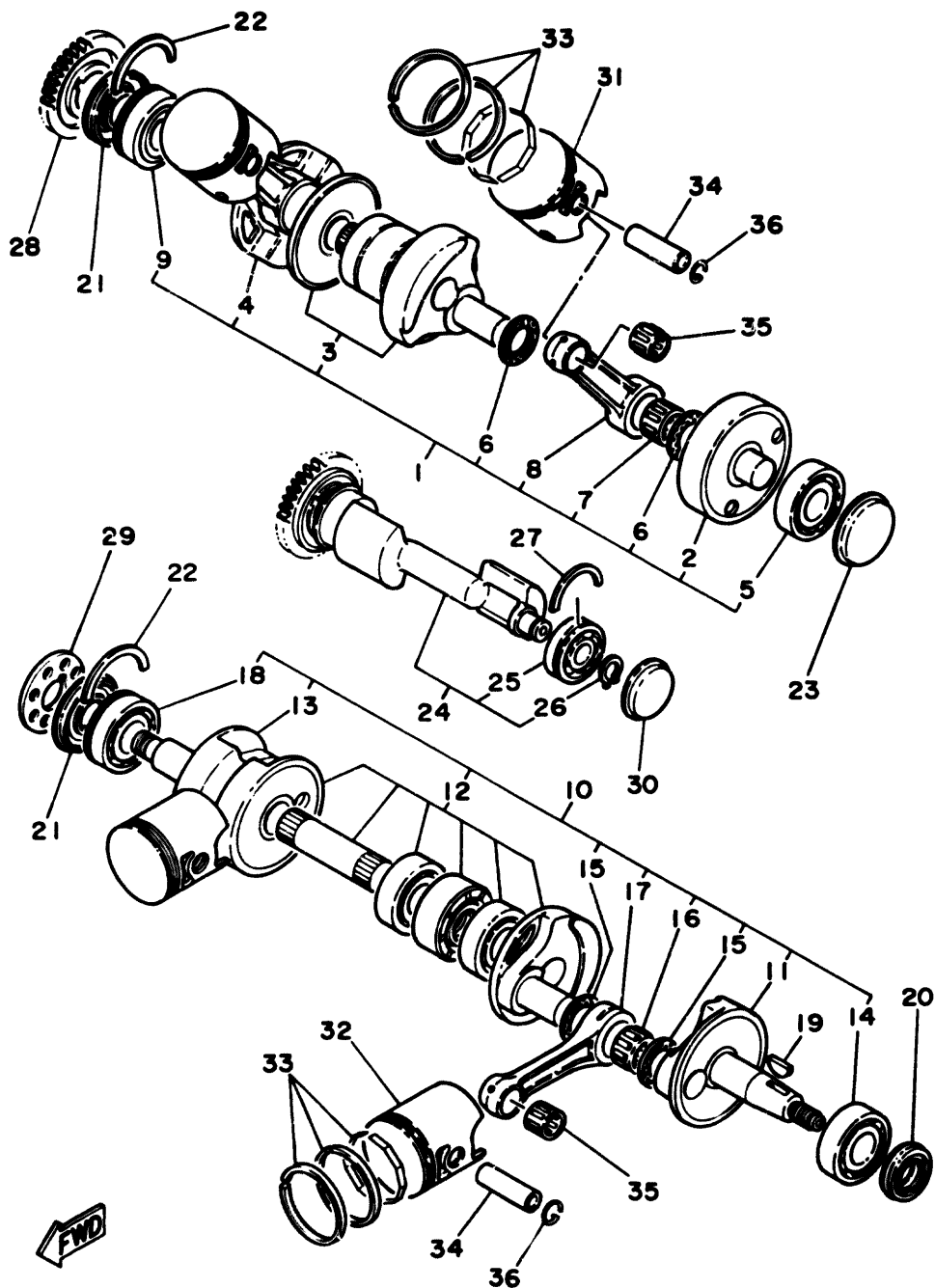
IGF171-5010

REF. NO.	PART NO.	DESCRIPTION	Q'TY	REMARKS
57	92906-06600	WASHER, plate	1	

**B4**



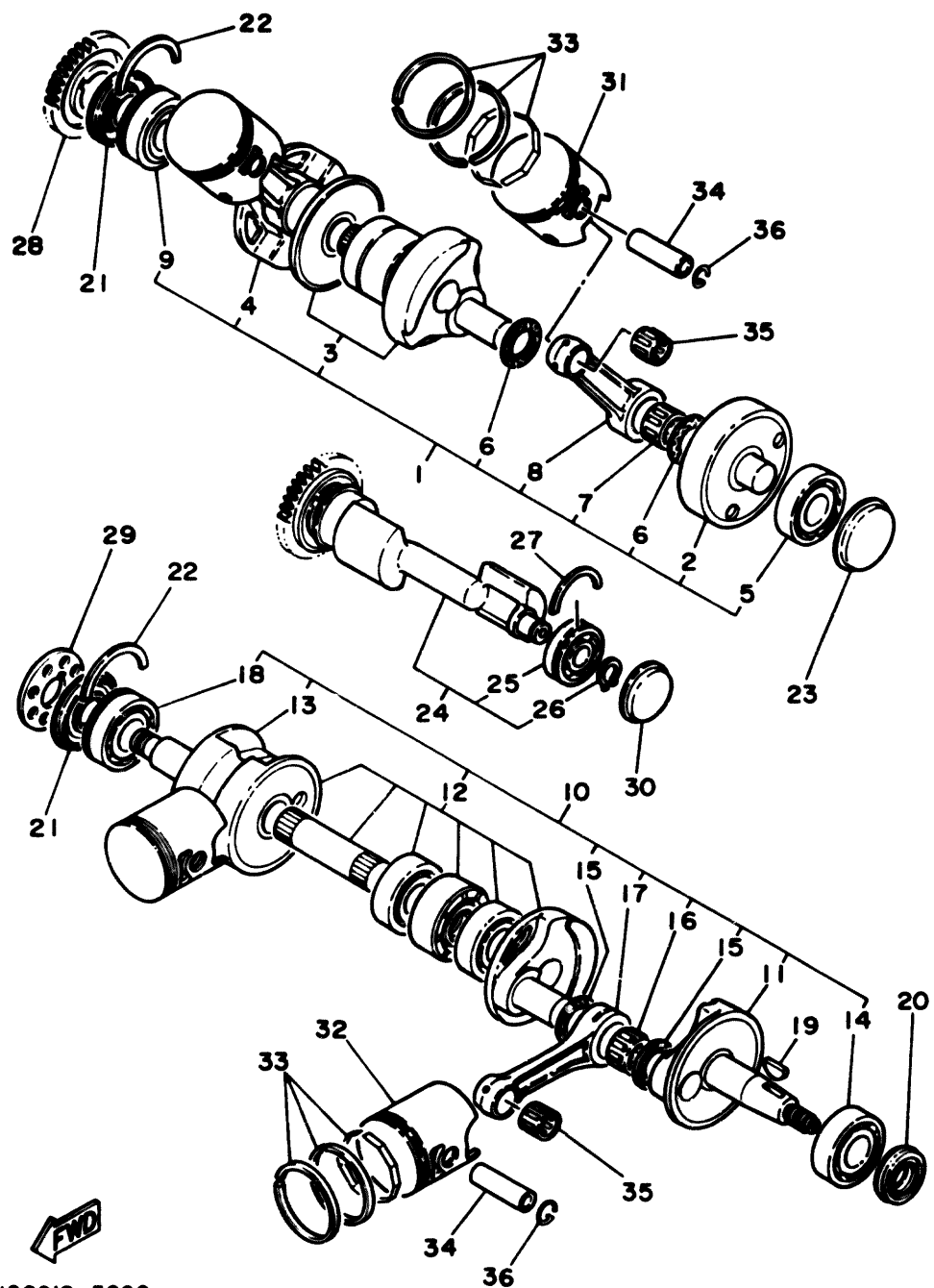
FIG. 2 CRANKSHAFT. PISTON



IGG010-5020

REF. NO.	PART NO.	DESCRIPTION	Q'TY	REMARKS
1	47X-11410-01	CRANKSHAFT	1	
2	47X-11412-00	.CRANK 1	1	
3	47X-11409-11	.CRANK SUB ASSY	1	
4	47X-11442-00	.CRANK 4	1	
5	93306-20564	.BEARING	1	
6	90209-22257	.WASHER	4	
7	93310-522L4	.BEARING, cylindrical	2	
8	47X-11651-00	.ROD, connecting	2	
9	93306-20565	.BEARING	1	
10	47X-11420-01	CRANKSHAFT	1	
11	47X-11452-00	.CRANK 5	1	
12	47X-11409-11	.CRANK SUB ASSY	1	
13	47X-11442-00	.CRANK 4	1	
14	93306-20564	.BEARING	1	
15	90209-22257	.WASHER	4	
16	93310-522L4	.BEARING, cylindrical	2	
17	47X-11651-00	.ROD, connecting	2	
18	93306-20565	.BEARING	1	
19	90280-05033	KEY, woodruff	1	
20	93103-25108	OIL SEAL	1	
21	93103-35149	OIL SEAL	2	
22	93410-53068	CIRCLIP	2	
23	90338-47102	PLUG	1	
24	47X-11500-00	BALANCER ASSY	1	
25	93306-20334	.BEARING	1	
26	99009-17400	.CIRCLIP	1	
27	93410-40069	CIRCLIP	1	
28	47X-11536-00	GEAR, drive	1	

**B5**



1GG010-5020

FIG. 2 CRANKSHAFT. PISTON

REF. NO.	PART NO.	DESCRIPTION	Q'TY	REMARKS
29	47X-11571-00	FLYWHEEL	1	
30	90338-42165	PLUG	1	
31	47X-11631-00-95	PISTON (STD)	2	
	47X-11635-00	PISTON (0.25MM O/S)	2	AP
	47X-11636-00	PISTON (0.50MM O/S)	2	AP
32	47X-11642-00-95	PISTON 2 (STD)	2	
	47X-11645-00	PISTON (1ST O/S 0.25MM)	2	AP
	47X-11646-00	PISTON (2ND O/S 0.50MM)	2	AP
33	47X-11610-00	PISTON RING SET (STD)	4	
	47X-11610-10	PISTON RING SET (1ST O/S)	4	AP
	47X-11610-20	PISTON RING SET (2ND O/S)	4	AP
34	4Y2-11633-00	PIN, piston	4	
35	93310-316H7	BEARING, cylindrical	4	
36	4V2-11634-00	CLIP, piston pin	8	