

# CONTENTS

## ENGINE

Cylinder Head · Cylinder .....	B2
Crankshaft · Piston .....	B3
A.C. Generator .....	B4
Water Pump .....	B5
Radiator · Hose .....	B6
Oil Pump .....	B7 ~ B8
Intake .....	B9
Carburetor .....	B10 ~ B11
Exhaust .....	B12
Crankcase .....	B13
Crankcase Cover .....	B14
Kick Starter .....	B15
Clutch .....	C2 ~ C3
Transmission .....	C4 ~ C5
Tachometer Gear .....	C6
Shift Cam · Fork .....	C7
Shift Shaft · Pedal .....	C8

Front Wheel .....	D6
Front Brake Caliper .....	D7
Rear Wheel .....	D8 ~ D9
Handlebar · Cable .....	D10
Front Master Cylinder .....	D11
Footrest .....	D12 ~ D13
Stand .....	D14
Flasher Light .....	D15
Meter .....	E2
Headlight .....	E3 ~ E4
Taillight .....	E5
Electrical 1 .....	E6
Electrical 2 .....	E7
Handle Switch · Lever .....	E8

## CHASSIS

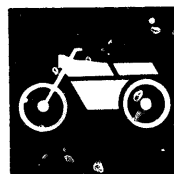
Frame .....	C9 ~ C10
Front Fender · Rear Fender .....	C11
Side Cover · Tool .....	C12
Oil Tank .....	C13
Rear Arm .....	C14
Rear Suspension .....	C15
Steering .....	D2
Front Fork .....	D3
Fuel Tank .....	D4
Seat .....	D5

## REPAIR KIT

Repair Kit .....	E9
------------------	----

## INDEX

Numerical Index .....	M1 ~ M4
Parts Name Index .....	M10 ~ M16



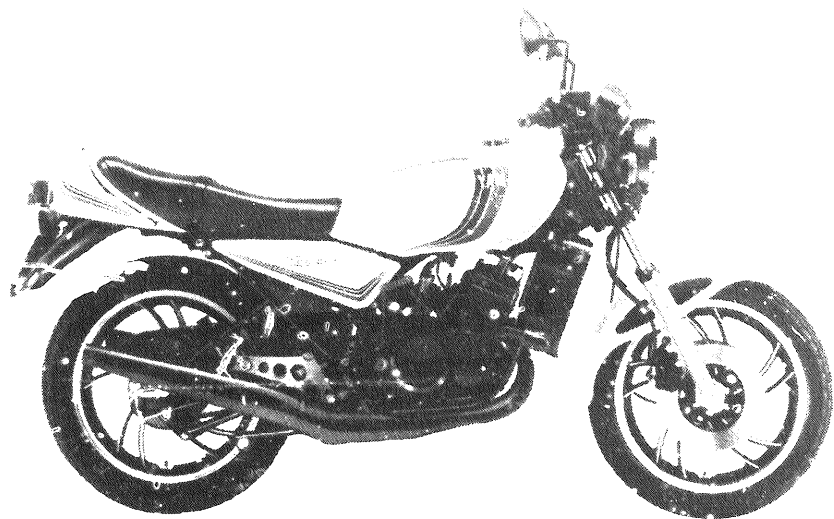
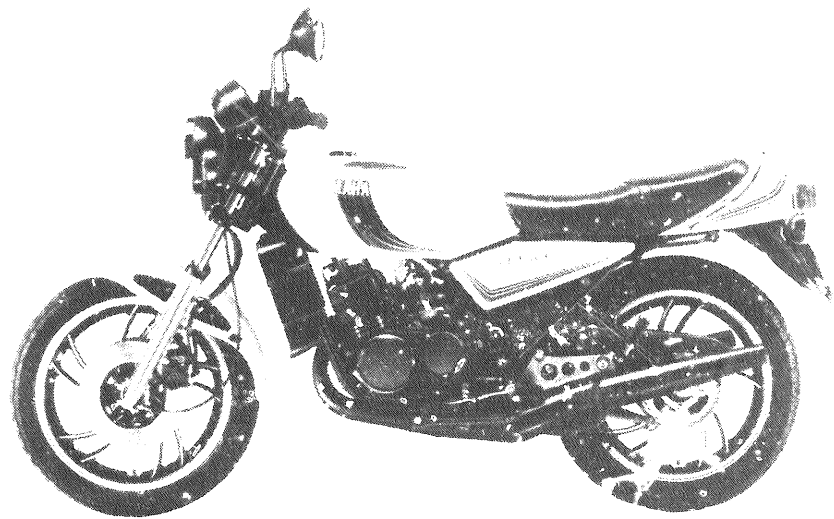
**YAMAHA**

**PARTS CATALOGUE**

**RD350LC'82 (4L0)**

**ENGLAND**

**A2**



A3

# FOREWORD

This Parts Catalogue is related to the parts in use for the Yamaha RD 350LC '82 (4L0).  
When you are ordering replacement parts for the RD 350LC '82 (4L0), refer to this Parts Catalogue and quote both part numbers and part names correctly.

1. Modifications or additions which have been made after issue of the Parts Catalogue will be announced in the Yamaha Parts News.  
It is advisable that according to the Yamaha Parts News you make necessary corrections to the Parts Catalogue on hand to keep it up-to-date.

## 2. Abbreviations

The following abbreviations are used in this Parts Catalogue.

- U.R. Use size (thickness) and/or number as required.
- U.N. Use as many as you need.
- A.P. Alternate Parts
- L.M. Local Made
- F# Frame No. (Applicable machine No.)

3. The parts marked with (\*) in the parts number column of this Catalogue are not supplied by Yamaha, those have to be found locally.
4. Parts, which are to be supplied in the form of assemblies, are listed with an indentation of one letter's space, and a dot (.) is put against the name of each part.

**EXAMPLE** CARBURETOR ASS'Y  
     . JET, pilot  
     . NOZZLE, main

## 5. Indication of No. of constituent parts for assembly

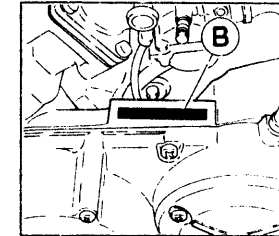
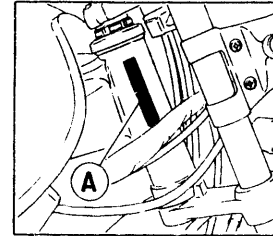
The numeral appearing to the right of each constituent part under the description indicates the quantity of such parts for each individual assembly unit.

**EXAMPLE**

Part No.	Description	Q'ty	Remarks
2F5-83310-60	FRONT FLASHER LIGHT ASS'Y	2	
115-83311-60	. BULB (6V-18W)	1	
1M1-83309-60	. REFLECTOR	1	

## 6. Initial Serial No. and Color Code

(A) Frame Serial No.	4L0-200101 and following
(B) Engine Serial No.	4L0-200101 and following



Color Code	Color Name	Abbreviate
29	Candy Blue	CB
36	Clean White	W
6G	New Yamaha Black	NYB

7. Applicable colors of graphics are represented in the "Remarks" column by the letter(s) appropriately picked out of the full word(s) showing such colors.

**EXAMPLE**

Part No.	Description	Q'ty	Remarks
2N4-24110-00-X5	FUEL TANK COMP.	1	MAXIM RED
3J1-24240-10	. GRAPHIC, fuel tank set	1	for MXR

# CONTENTS

## ENGINE

Cylinder Head · Cylinder .....	B2
Crankshaft · Piston .....	B3
A.C. Generator .....	B4
Water Pump .....	B5
Radiator · Hose .....	B6
Oil Pump .....	B7 ~ B8
Intake .....	B9
Carburetor .....	B10 ~ B11
Exhaust .....	B12
Crankcase .....	B13
Crankcase Cover .....	B14
Kick Starter .....	B15
Clutch .....	C2 ~ C3
Transmission .....	C4 ~ C5
Tachometer Gear .....	C6
Shift Cam · Fork .....	C7
Shift Shaft · Pedal .....	C8

## CHASSIS

Frame .....	C9 ~ C10
Front Fender · Rear Fender .....	C11
Side Cover · Tool .....	C12
Oil Tank .....	C13
Rear Arm .....	C14
Rear Suspension .....	C15
Steering .....	D2
Front Fork .....	D3
Fuel Tank .....	D4
Seat .....	D5

Front Wheel .....	D6
Front Brake Caliper .....	D7
Rear Wheel .....	D8 ~ D9
Handlebar · Cable .....	D10
Front Master Cylinder .....	D11
Footrest .....	D12 ~ D13
Stand .....	D14
Flasher Light .....	D15
Meter .....	E2
Headlight .....	E3 ~ E4
Taillight .....	E5
Electrical 1 .....	E6
Electrical 2 .....	E7
Handle Switch · Lever .....	E8

## REPAIR KIT

Repair Kit .....	E9
------------------	----

## INDEX

Numerical Index .....	M1 ~ M4
Parts Name Index .....	M10 ~ M16

# CONTENTS

## ENGINE

Cylinder Head · Cylinder .....	B2
Crankshaft · Piston .....	B3
A.C. Generator .....	B4
Water Pump .....	B5
Radiator · Hose .....	B6
Oil Pump .....	B7 ~ B8
Intake .....	B9
Carburetor .....	B10 ~ B11
Exhaust .....	B12
Crankcase .....	B13
Crankcase Cover .....	B14
Kick Starter .....	B15
Clutch .....	C2 ~ C3
Transmission .....	C4 ~ C5
Tachometer Gear .....	C6
Shift Cam · Fork .....	C7
Shift Shaft · Pedal .....	C8

## CHASSIS

Frame .....	C9 ~ C10
Front Fender · Rear Fender .....	C11
Side Cover · Tool .....	C12
Oil Tank .....	C13
Rear Arm .....	C14
Rear Suspension .....	C15
Steering .....	D2
Front Fork .....	D3
Fuel Tank .....	D4
Seat .....	D5

Front Wheel .....	D6
Front Brake Caliper .....	D7
Rear Wheel .....	D8 ~ D9
Handlebar · Cable .....	D10
Front Master Cylinder .....	D11
Footrest .....	D12 ~ D13
Stand .....	D14
Flasher Light .....	D15
Meter .....	E2
Headlight .....	E3 ~ E4
Taillight .....	E5
Electrical 1 .....	E6
Electrical 2 .....	E7
Handle Switch · Lever .....	E8

## REPAIR KIT

Repair Kit .....	E9
------------------	----

## INDEX

Numerical Index .....	M1 ~ M4
Parts Name Index .....	M10 ~ M16

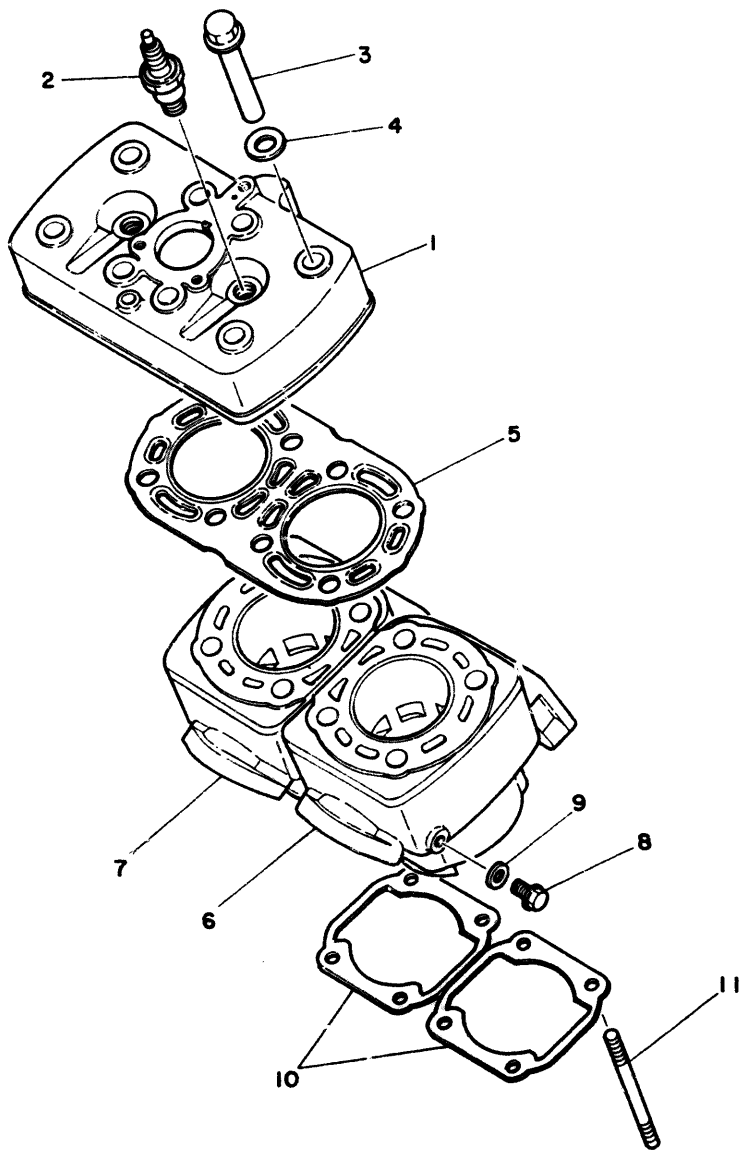


FIG. 1 CYLINDER HEAD. CYLINDER

REF. NO.	PART NO.	DESCRIPTION	Q'TY	REMARKS
1	4L0-11111-00	HEAD, cylinder 1	1	
2	94701-00045	PLUG, sPark (NGK B-8ES)	2	
3	90179-08314	NUT	8	
4	90201-122A7	WASHER, Plate	8	
5	4L0-11181-00	GASKET, cylinder head 1	1	
6	4L0-11311-10	CYLINDER 1	1	
7	4L0-11321-10	CYLINDER 2	1	
8	90105-08163	BOLT, washer based	2	
9	90201-082A6	WASHER, Plate	2	
10	278-11351-01	GASKET, cylinder	2	
11	90116-08219	BOLT, stud	8	

