

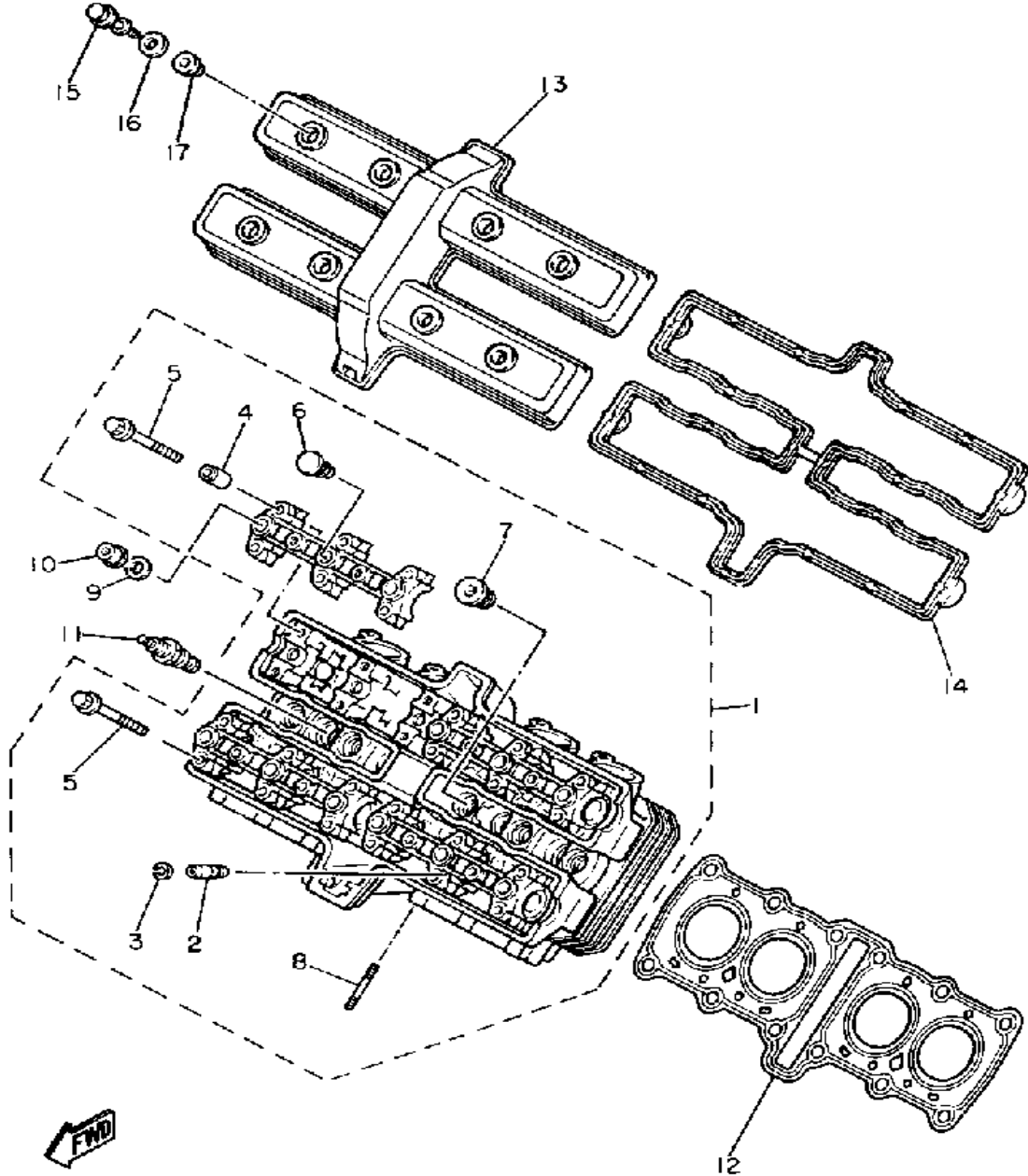
YAMAHA

GENUINE

PARTS CATALOGUE

MOTORCYCLE

CYLINDER HEAD

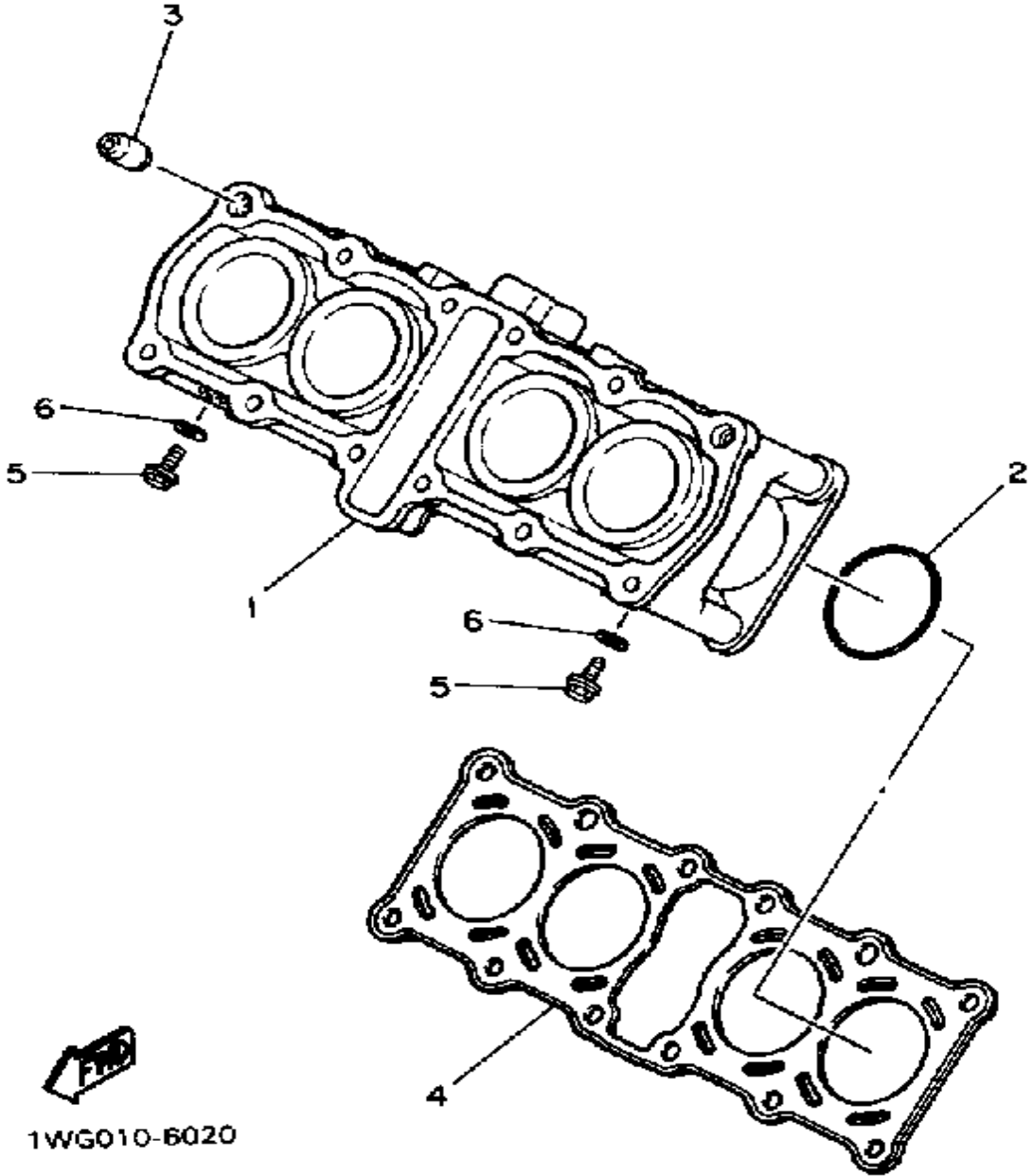


| Ref. No. | Part Number | Description | Qty | Remarks |
|----------|-----------------|--------------------------|-----|---------|
| 1 | 1WG-11101-00-00 | CYLINDER HEAD ASSEMBLY | 1 | |
| 2 | 1WG-11133-10-00 | . GUIDE, INTAKE VALVE | 16 | |
| 3 | 93440-10153-00 | . CIRCLIP | 16 | |
| 4 | 99510-08016-00 | . PIN, DOWEL | 12 | |
| 5 | 90105-06384-00 | . BOLT, WASHER BASED | 24 | |
| 6 | 90338-08174-00 | . PLUG | 12 | |
| 7 | 90340-12112-00 | . PLUG, STRAIGHT SCREW | 6 | |
| 8 | 90116-06437-00 | . BOLT, STUD | 8 | |
| 9 | 90201-087K2-00 | WASHER, PLATE | 12 | |
| 10 | 90179-08530-00 | NUT | 12 | |
| 11 | NGK-CR8E0-00-00 | PLUG, SPARK (NGK-R CR8E) | 4 | |
| 12 | 1WG-11181-00-00 | GASKET, CYLINDER HEAD 1 | 1 | |
| 13 | 1WG-11191-00-00 | COVER, CYLINDER.HEAD 1 | 1 | |
| 14 | 1WG-11193-00-00 | GASKET, HEAD COVER 1 | 1 | |
| 15 | 90109-064F0-00 | BOLT | 8 | |
| 16 | 90209-11262-00 | WASHER | 8 | |
| 17 | 2GH-1111G-00-00 | RUBBER, MOUNT 1 | 8 | |



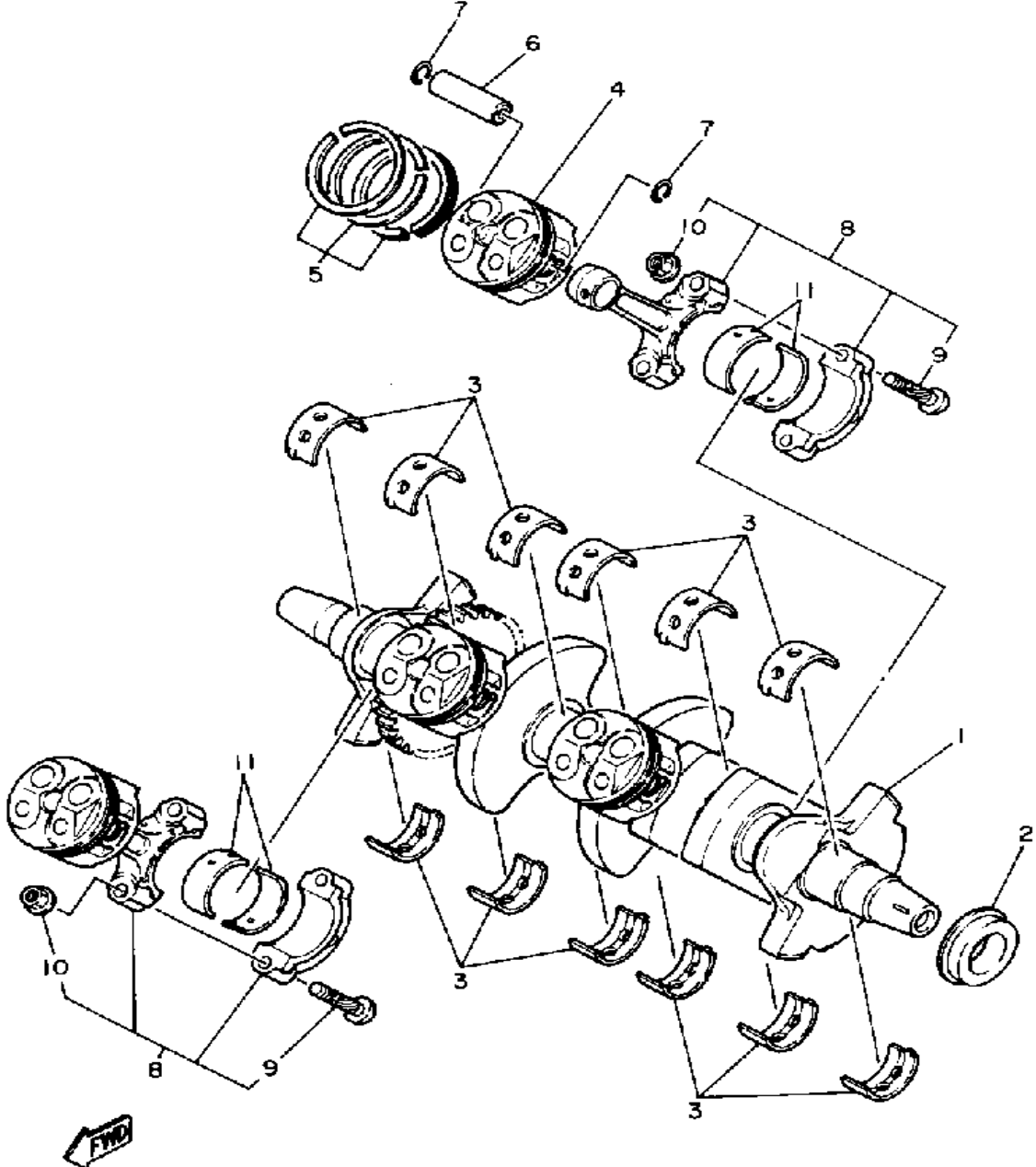
3BF1110-B010

CYLINDER



| Ref. No. | Part Number | Description | Qty | Remarks |
|----------|-----------------|------------------------|-----|---------|
| 1 | 1WG-11310-00-00 | CYLINDER | 1 | |
| 2 | 93210-60737-00 | O-RING | 4 | |
| 3 | 99510-12016-00 | PIN, DOWEL | 2 | |
| 4 | 3TJ-11351-00-00 | GASKET, CYLINDER | 1 | |
| 5 | 90153-06045-00 | SCREW, HEXAGON | 2 | |
| 6 | 90430-06014-00 | GASKET | 2 | |

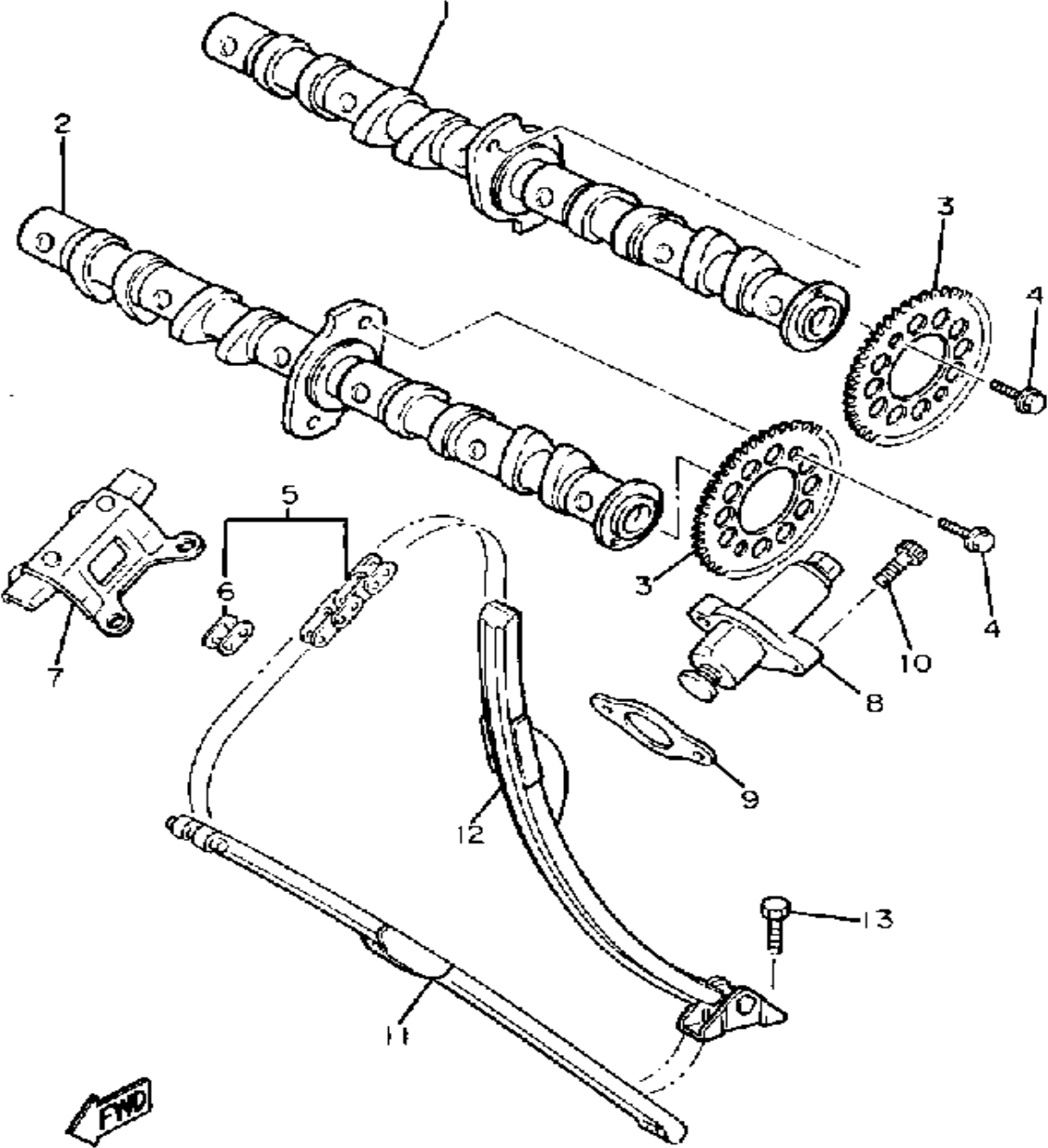
CRANKSHAFT - PISTON



| Ref. No. | Part Number | Description | Qty | Remarks |
|----------|-----------------|-------------------------------------|-----|-----------|
| 1 | 1WG-11411-01-00 | CRANKSHAFT | 1 | |
| 2 | 93101-26156-00 | OIL SEAL | 1 | |
| 3 | 1WG-11416-00-00 | PLANE BEARING, CRANKSHAFT 1 | 12 | UR BLUE |
| | 1WG-11416-10-00 | PLANE BEARING, CRANKSHAFT 1 | 12 | UR BLACK |
| | 1WG-11416-20-00 | PLANE BEARING, CRANKSHAFT 1 | 12 | UR BROWN |
| | 1WG-11416-30-00 | PLANE BEARING, CRANKSHAFT 1 | 12 | UR GREEN |
| | 1WG-11416-40-00 | PLANE BEARING, CRANKSHAFT 1 | 12 | UR YELLOW |
| 4 | 1WG-11631-01-00 | PISTON STD | 4 | |
| | 1WG-11636-01-00 | PISTON 2 O/S 0.0 | 4 | ALT. PART |
| | 1WG-11638-01-00 | PISTON 4 O/S 1.0 | 4 | ALT. PART |
| 5 | 1WG-11610-00-00 | PISTON RING SET | 4 | |
| | 1WG-11610-20-00 | PISTON RING SET (2ND O/S) .. | 4 | ALT. PART |
| | 1WG-11610-40-00 | PISTON RING SET (4TH O/S) .. | 4 | ALT. PART |
| 6 | 1WG-11633-01-00 | PIN, PISTON | 4 | |
| 7 | 93450-16068-00 | CIRCLIP | 8 | |
| 8 | 1WG-11650-00-00 | CONNECTING ROD ASSEMBLY | 4 | |
| 9 | 1WG-11654-00-00 | . BOLT, CONNECTING ROD .. | 2 | |
| 10 | 90179-07531-00 | . NUT | 2 | |
| 11 | 1WG-11656-00-00 | PLANE BEARING, CONNECTING ROD | 8 | UR BLUE |
| | 1WG-11656-10-00 | PLANE BEARING, CONNECTING ROD | 8 | UR BLACK |
| | 1WG-11656-20-00 | PLANE BEARING, CONNECTING ROD | 8 | UR BROWN |
| | 1WG-11656-30-00 | PLANE BEARING, CONNECTING ROD | 8 | UR GREEN |

1WG010-6030

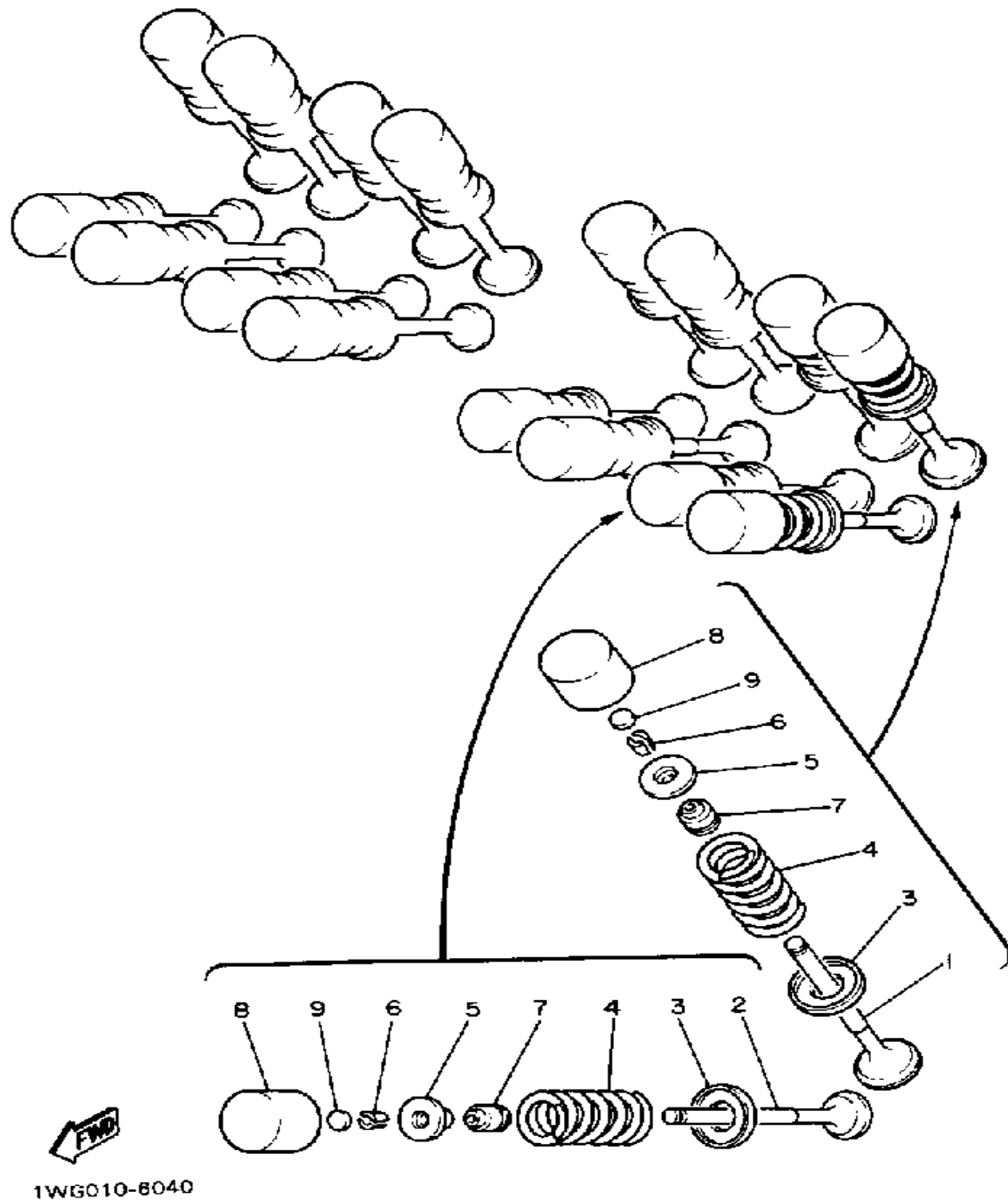
CAMSHAFT - CHAIN



| Ref. No. | Part Number | Description | Qty | Remarks |
|----------|-----------------|--------------------------------------|-----|---------|
| 1 | 3BF-12171-00-00 | CAMSHAFT 1 | 1 | |
| 2 | 3BF-12181-00-00 | CAMSHAFT 2 | 1 | |
| 3 | 1WG-12176-00-00 | SPROCKET, CAM CHAIN | 2 | |
| 4 | 90105-07385-00 | BOLT, WASHER BASED | 4 | |
| 5 | 94590-95112-00 | CHAIN BF04MA | 1 | |
| 6 | 94690-95021-00 | . MASTER LINK | 1 | |
| 7 | 1WG-12241-00-00 | GUIDE, STOPPER 2 | 1 | |
| 8 | 99999-01903-00 | TENSRASSEMBLY CAM CLTCAM CHAIN | 1 | |
| 9 | 4BE-12213-00-00 | GASKET, TENSIONER CASE .. | 1 | |
| 10 | 91316-06025-00 | BOLT | 2 | |
| 11 | 1WG-12251-00-00 | DAMPER, CHAIN 1 | 1 | |
| 12 | 1WG-12252-00-00 | DAMPER, CHAIN 2 | 1 | |
| 13 | 90109-065A8-00 | BOLT | 2 | |



3BF1110-8050



VALVE

| Ref. No. | Part Number | Description | Qty | Remarks |
|----------|-----------------|--|-----|----------|
| 1 | 1WG-12111-00-00 | VALVE, INTAKE | 8 | |
| 2 | 1WG-12121-00-00 | VALVE, EXHAUST | 8 | |
| 3 | 1WG-12116-00-00 | SEAT, VALVE SPRING | 16 | |
| 4 | 1WG-12113-01-00 | SPRING, VALVE INNER | 16 | |
| 5 | 1WG-12117-00-00 | RETAINER, VALVE SPRING .. | 16 | |
| 6 | 1WG-12118-00-00 | COTTER, VALVE | 32 | |
| 7 | 1WG-12119-00-00 | SEAL, VALVE STEM | 16 | |
| 8 | 1WG-12153-09-00 | LIFTER, VALVE (O/S) | 16 | UR GREEN |
| | 1WG-12153-21-00 | LIFTER, VALVE | 16 | UR BLUE |
| | 1WG-12153-30-00 | LIFTER, VALVE (1WG-12153-31-00) | 16 | UR RED |
| 9 | 1HX-12168-00-00 | PAD, ADJUSTING 2 (1.20) | 16 | UR |
| | 1HX-12168-20-00 | PAD, ADJUSTING 2 (1.25) | 16 | UR |
| | 1HX-12168-40-00 | PAD, ADJUSTING 2 (1.30) | 16 | UR |
| | 1HX-12168-60-00 | PAD, ADJUSTING 2 (1.35) | 16 | UR |
| | 1HX-12168-80-00 | PAD, ADJUSTING 2 (1.40) | 16 | UR |
| | 1HX-12168-A0-00 | PAD, ADJUSTING 2 (1.45) | 16 | UR |
| | 1HX-12168-F0-00 | PAD, ADJUSTING 2 (1.50) | 16 | UR |
| | 1HX-12168-H1-00 | PAD, ADJUSTING 2 (1.55) | 16 | UR |
| | 1HX-12168-K1-00 | PAD, ADJUSTING 2 (1.60) | 16 | UR |
| | 1HX-12168-M1-00 | PAD, ADJUSTING 2 (1.65) | 16 | UR |
| | 1HX-12168-R1-00 | PAD, ADJUSTING 2 (1.70) | 16 | UR |
| | 1HX-12168-U1-00 | PAD, ADJUSTING 2 (1.75) | 16 | UR |
| | 1HX-12168-W1-00 | PAD, ADJUSTING 2 (1.80) | 16 | UR |
| | 1HX-12168-Y1-00 | PAD, ADJUSTING 2 (1.85) | 16 | UR |
| | 1HX-12169-11-00 | PAD, ADJUSTING 2 (1.90) | 16 | UR |
| | 1HX-12169-31-00 | PAD, ADJUSTING 2 (1.95) | 16 | UR |
| | 1HX-12169-50-00 | PAD, ADJUSTING 2 (2.00) | 16 | UR |
| | 1HX-12169-70-00 | PAD, ADJUSTING 2 (2.05) | 16 | UR |

CONTINUED ON NEXT FRAME ►