

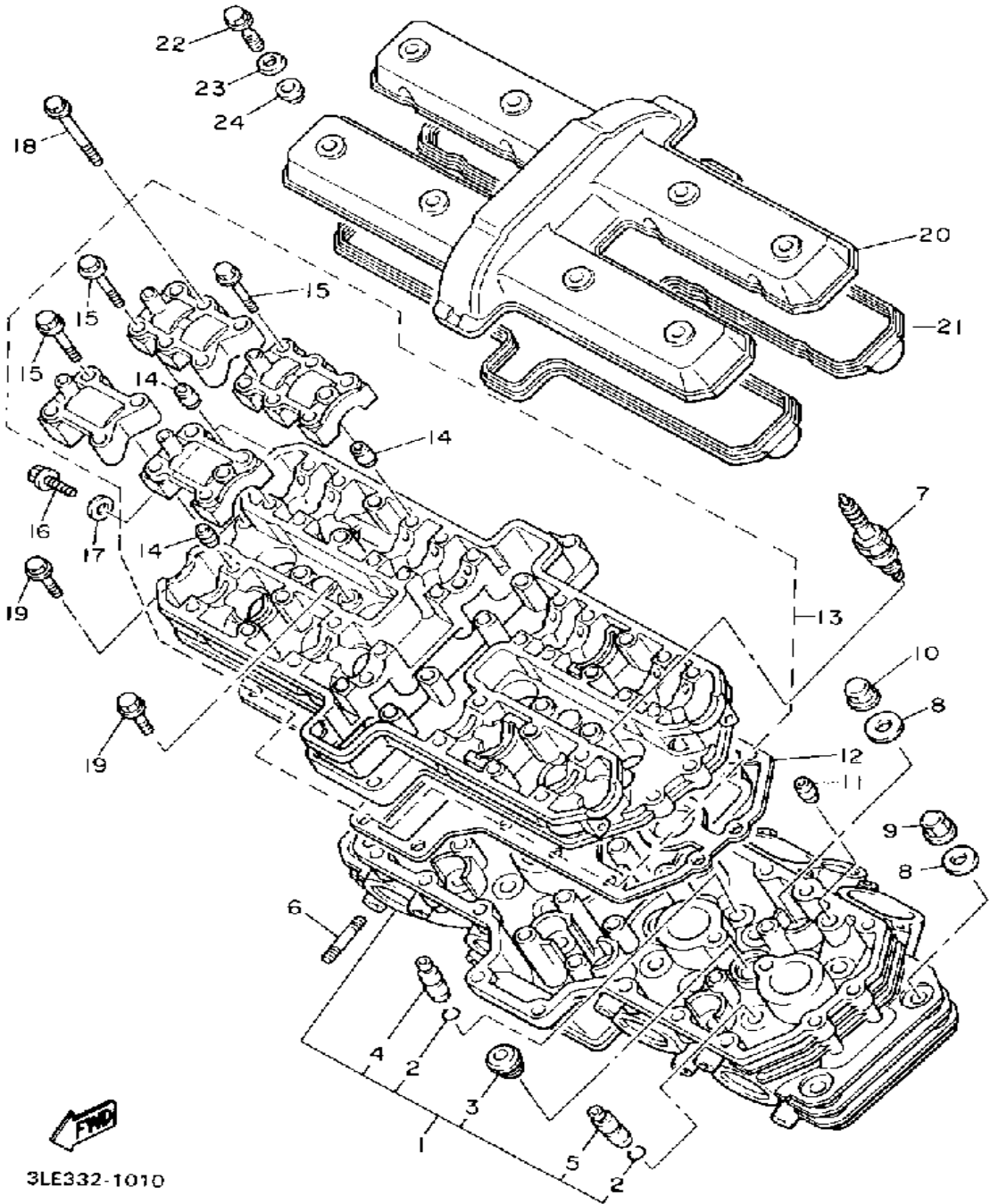
**YAMAHA**

**GENUINE**

**PARTS CATALOGUE**

**MOTORCYCLE**

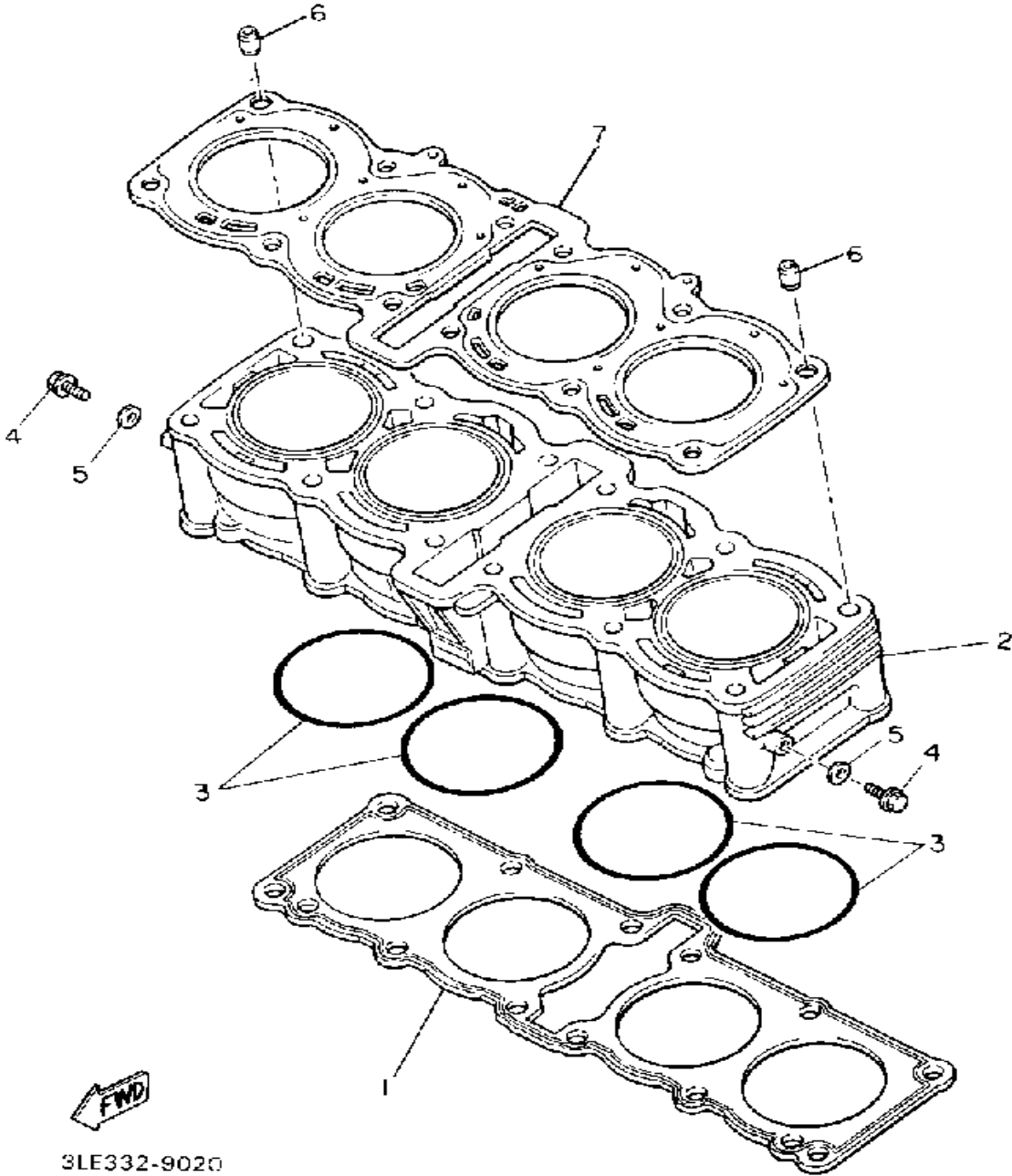
# CYLINDER HEAD



3LE332-1010

Ref. No.	Part Number	Description	Qty	Remarks
1	3GM-11102-00-00	CYLINDER HEAD ASSEMBLY	1	
2	93440-10153-00	. CIRCLIP	20	
3	90340-18101-00	. PLUG, STRAIGHT SCREW	4	
4	3GM-11133-10-00	. GUIDE, INTAKE VALVE	12	
5	3GM-11134-10-00	. GUIDE, EXHAUST VALVE	8	
6	95611-08625-00	BOLT, STUD	8	
7	NGK-DR8ES-L0-00	NGK DR8ES-L 10PK	4	UR
8	90201-103M4-00	WASHER, PLATE	12	
9	90176-10049-00	NUT, CROWN	4	
10	90179-10584-00	NUT	8	
11	99530-10014-00	PIN, DOWEL	2	
12	3GM-11182-00-00	GASKET, CYLINDER HEAD 2	1	
13	3GM-1115A-00-00	CAM CASE ASSEMBLY	1	
14	99510-08016-00	. PIN, DOWEL	16	
15	90105-06153-00	. BOLT, WASHER BASED	16	
16	95023-06012-00	BOLT, FLANGE	1	
17	90430-06014-00	GASKET	1	
18	90105-06541-00	BOLT, WASHER BASED	24	
19	95023-06025-00	BOLT, FLANGE	11	
20	3GM-11191-00-00	COVER, CYLINDER HEAD 1	1	
21	3GM-11193-00-00	GASKET, HEAD COVER 1	1	
22	90109-064F0-00	BOLT	8	
23	90209-11262-00	WASHER	8	
24	2GH-1111G-00-00	RUBBER, MOUNT 1	8	

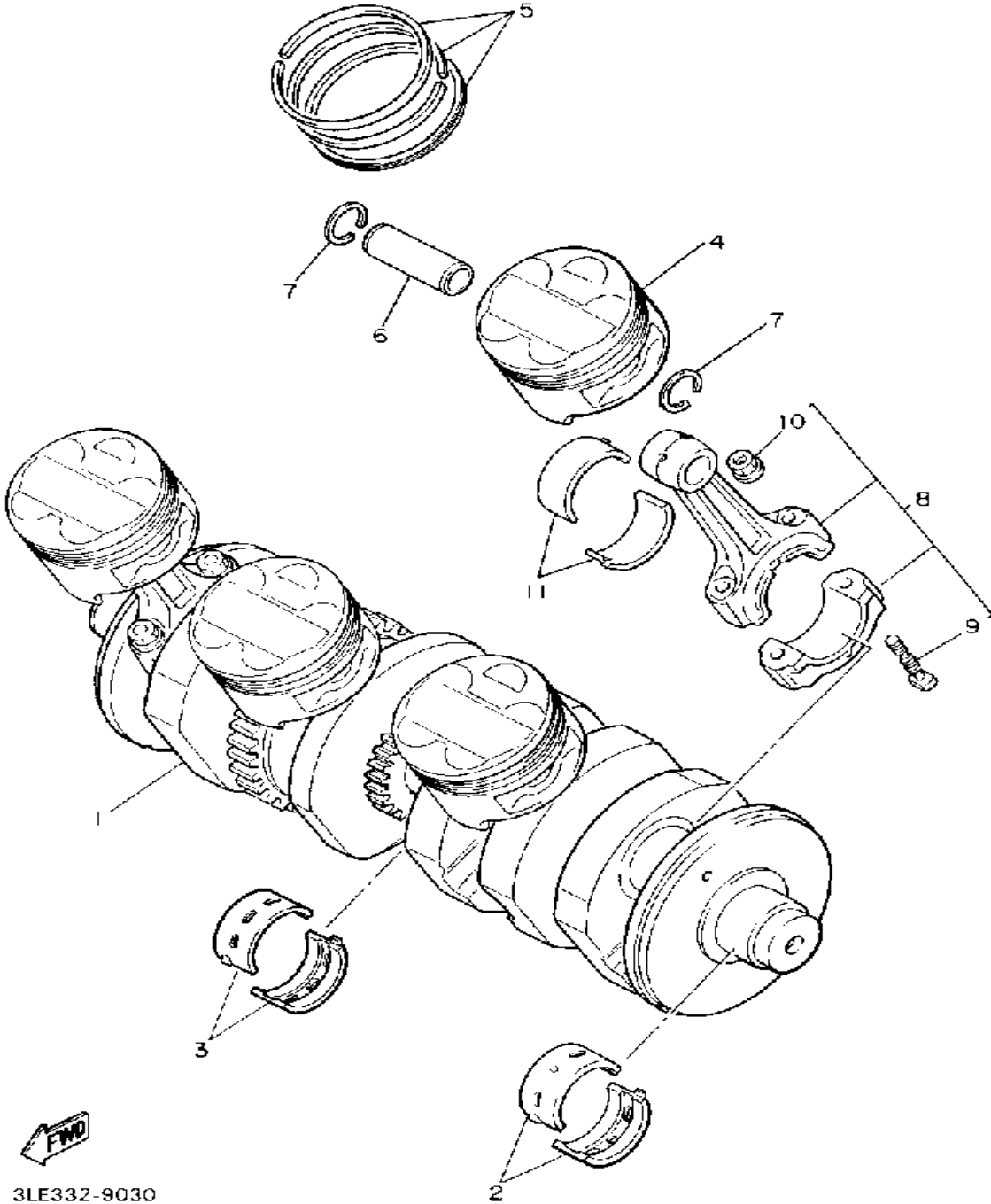
# CYLINDER



Ref. No.	Part Number	Description	Qty	Remarks
1	3GM-11351-00-00	GASKET, CYLINDER .....	1	
2	3GM-11310-00-00	CYLINDER .....	1	
3	93210-77363-00	O-RING .....	4	
4	95023-06012-00	BOLT, FLANGE .....	2	
5	90430-06014-00	GASKET .....	2	
6	99510-14016-00	PIN, DOWEL .....	2	
7	3GM-11181-00-00	GASKET, CYLINDER HEAD 1 .	1	



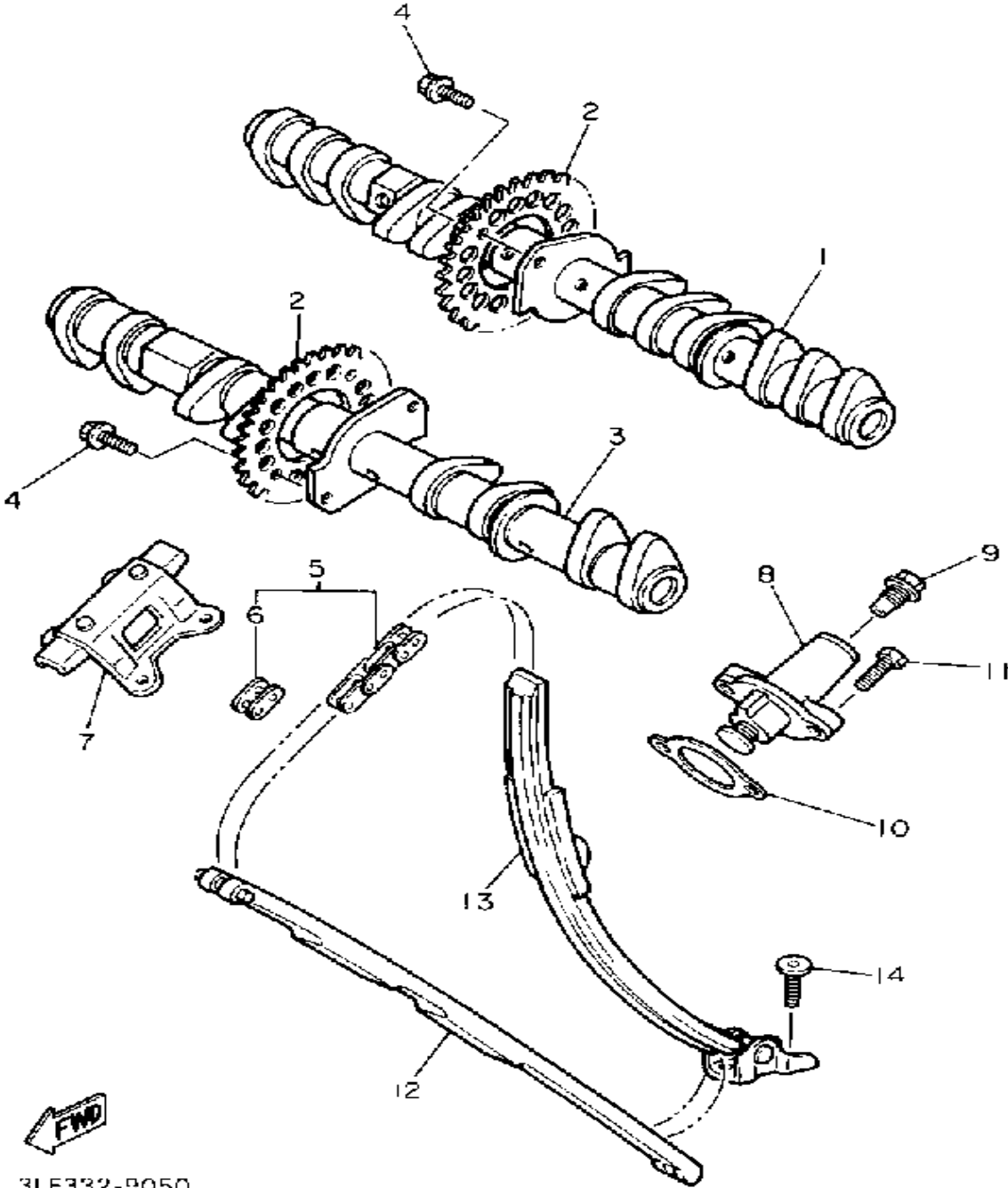
# CRANKSHAFT - PISTON



3LE332-9030

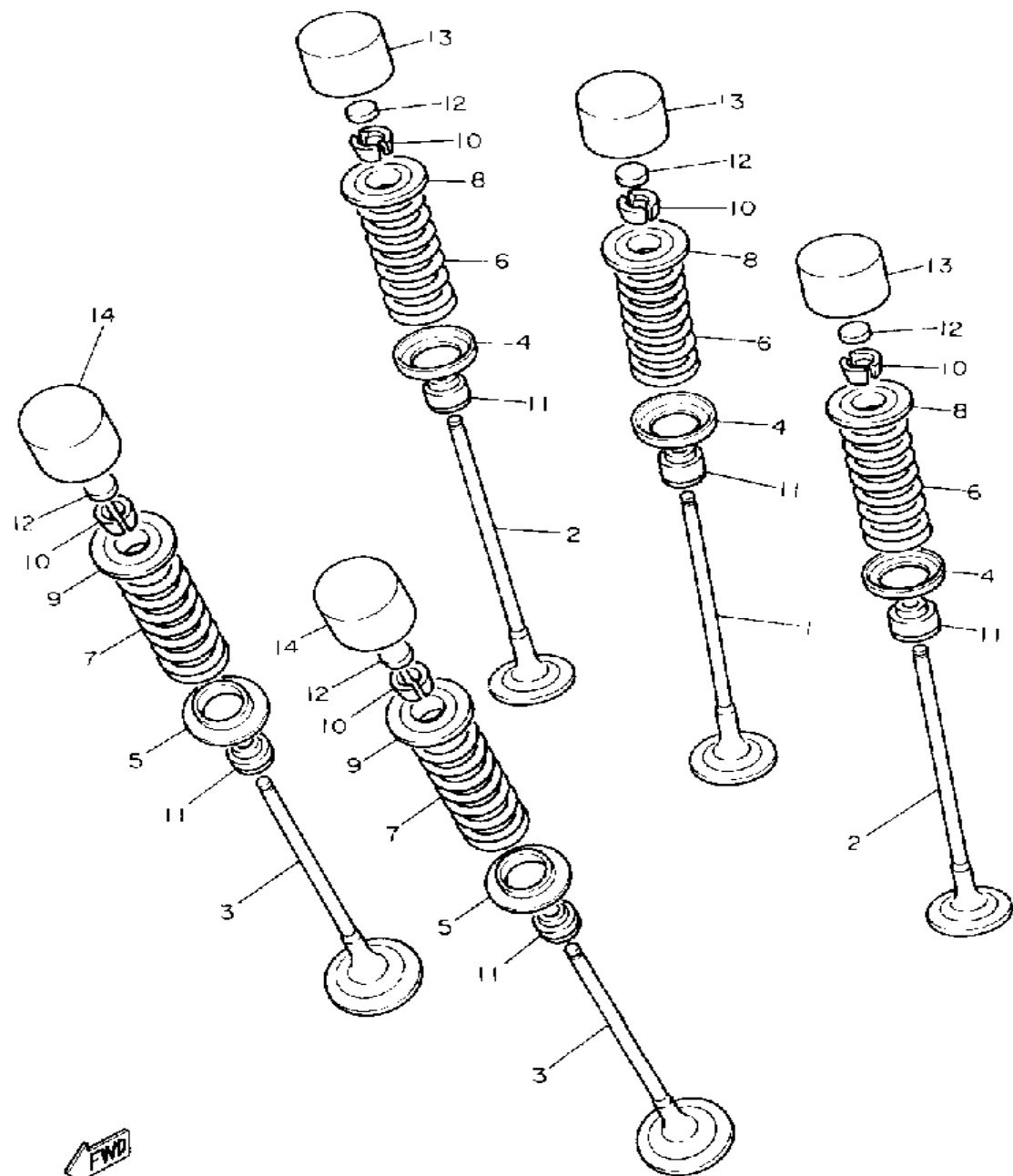
Ref. No.	Part Number	Description	Qty	Remarks
11	3GM-11656-10-00	PLANE BEARING, CONNECTING ROD .....	8	UR BLACK
	3GM-11656-20-00	PLANE BEARING, CONNECTING ROD .....	8	UR BROWN
	3GM-11656-30-00	PLANE BEARING, CONNECTING ROD .....	8	UR GREEN

# CAMSHAFT - CHAIN



3LE332-9050

Ref. No.	Part Number	Description	Qty	Remarks
1	3GM-12171-00-00	CAMSHAFT 1 .....	1	
2	3GM-12176-00-00	SPROCKET, CAM CHAIN .....	2	
3	3GM-12181-00-00	CAMSHAFT 2 .....	1	
4	90105-07342-00	BOLT, WASHER BASED .....	4	
5	94581-01108-00	CHAIN (DID219FS-108L) .....	1	
6	94681-01021-00	. JOINT, CHAIN .....	1	
7	2GH-12241-00-00	GUIDE, STOPPER 2 .....	1	
8	3GM-12210-00-00	TENSIONER ASSEMBLY, CAM CHAIN (1WG-12210-02-00) .....	1	
9	90109-112F1-00	BOLT .....	1	
10	4BE-12213-00-00	GASKET, TENSIONER CASE ..	1	
11	95023-06025-00	BOLT, FLANGE .....	2	
12	3GM-12251-00-00	DAMPER, CHAIN 1 .....	1	
13	3GM-12252-00-00	DAMPER, CHAIN 2 .....	1	
14	90109-065A8-00	BOLT .....	2	



3LF332-9C40

# VALVE

Ref. No.	Part Number	Description	Qty	Remarks
1	3GM-12111-00-00	VALVE, INTAKE	4	
2	3GM-12112-00-00	VALVE, INTAKE 2	8	
3	3GM-12121-00-00	VALVE, EXHAUST	8	
4	3GM-12116-00-00	SEAT, VALVE SPRING	12	
5	3GM-12126-00-00	SEAT, VALVE SPRING 2	8	
6	3GM-12113-00-00	SPRING, VALVE INNER	12	
7	3GM-12114-00-00	SPRING, VALVE OUTER	8	
8	3GM-12117-00-00	RETAINER, VALVE SPRING	12	
9	1WG-12117-00-00	RETAINER, VALVE SPRING	8	
10	1WG-12118-00-00	COTTER, VALVE	40	
11	1WG-12119-00-00	SEAL, VALVE STEM	20	
12	1HX-12168-00-00	PAD, ADJUSTING 2 (1.20)	20	UR
	1HX-12168-20-00	PAD, ADJUSTING 2 (1.25)	20	UR
	1HX-12168-40-00	PAD, ADJUSTING 2 (1.30)	20	UR
	1HX-12168-60-00	PAD, ADJUSTING 2 (1.35)	20	UR
	1HX-12168-80-00	PAD, ADJUSTING 2 (1.40)	20	UR
	1HX-12168-A0-00	PAD, ADJUSTING 2 (1.45)	20	UR
	1HX-12168-F0-00	PAD, ADJUSTING 2 (1.50)	20	UR
	1HX-12168-H1-00	PAD, ADJUSTING 2 (1.55)	20	UR
	1HX-12168-K1-00	PAD, ADJUSTING 2 (1.60)	20	UR
	1HX-12168-M1-00	PAD, ADJUSTING 2 (1.65)	20	UR
	1HX-12168-R1-00	PAD, ADJUSTING 2 (1.70)	20	UR
	1HX-12168-U1-00	PAD, ADJUSTING 2 (1.75)	20	UR
	1HX-12168-W1-00	PAD, ADJUSTING 2 (1.80)	20	UR
	1HX-12168-Y1-00	PAD, ADJUSTING 2 (1.85)	20	UR
	1HX-12169-11-00	PAD, ADJUSTING 2 (1.90)	20	UR
	1HX-12169-31-00	PAD, ADJUSTING 2 (1.95)	20	UR
	1HX-12169-50-00	PAD, ADJUSTING 2 (2.00)	20	UR
	1HX-12169-70-00	PAD, ADJUSTING 2 (2.05)	20	UR

CONTINUED ON NEXT FRAME ►