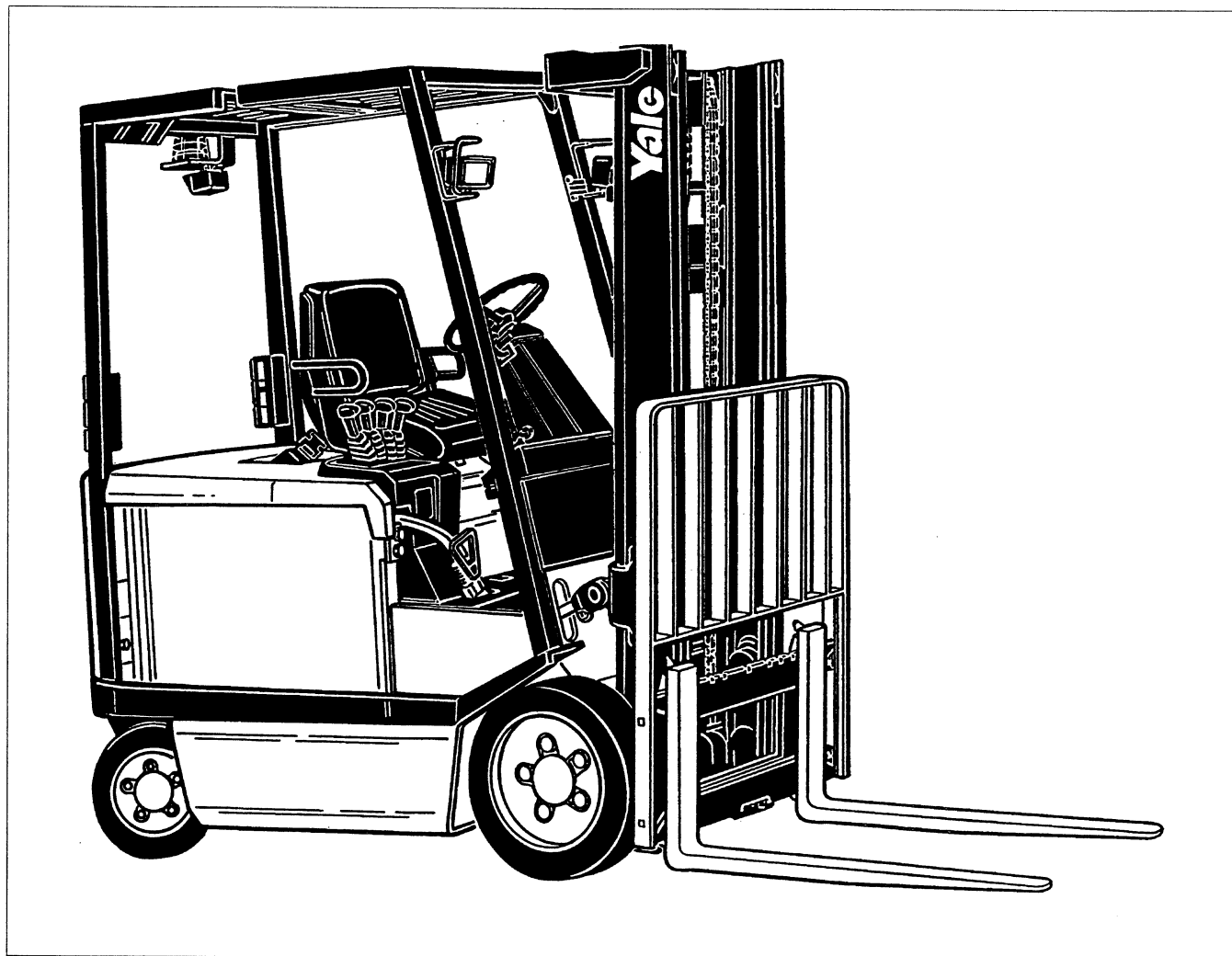


SERVICE PARTS MANUAL

For Model

ERC/P 030-040 AF (A814)



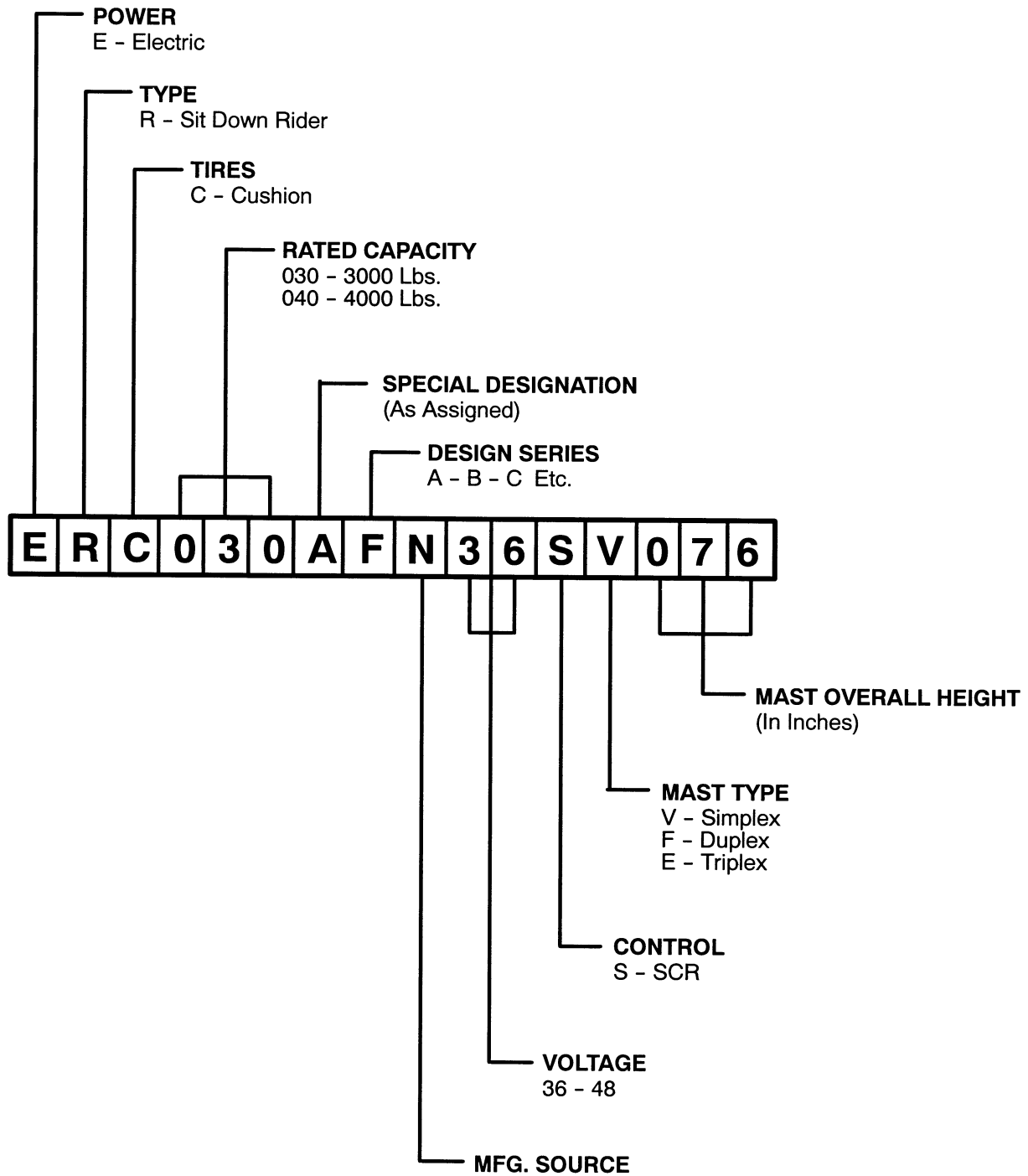
For Service & Parts-Contact

Authorized Dealer

Yale Materials Handling Corp.
1400 Sullivan Drive
Caller No. 12011
Greenville, NC 27834-2011

P/N 504250781
© Yale Materials
Handling Corp.
October 1999

MODEL NOMENCLATURE



ALPHABETICAL INDEX

DESCRIPTION	PAGE NO.	DESCRIPTION	PAGE NO.
A		C (Cont.)	
ACCELERATOR LINKAGE	1-8	COUNTERWEIGHT	1-12
B		COVERS	1-22
BACK-UP ALARM	9-8	CURTIS 933-1 TRACTION CONTROL PANEL (WITHOUT BDI)	2-36
BATTERY CONNECTOR	2-64	D	
BATTERY SLIDE AND ROLLER TRAY	9-10	DIFFERENTIAL	3-6
BRAKE ASSEMBLY (DRUM TYPE)	4-12	DOME LIGHT	9-7
BRAKE ASSEMBLY (S/N A814-2396 AND UP, INCLUDING 2355, 2361, EXCEPT 2400)	4-4	DRIVE AND REAR LIGHTS	9-4
BRAKE ASSEMBLY (UP TO S/N A814V-2396, INCLUDING 2400 EXCEPT 2355,2361)	4-2	DRIVE AXLE ASSEMBLY	3-2
BRAKE PEDAL	4-6	DRIVE WHEEL AND TIRE ASSEMBLY (CUSHION) ...	3-8
BRAKE/BACK-UP LIGHT	9-2	DRIVE WHEEL AND TIRE ASSEMBLY (PNEUMATIC)	3-10
C		DUPLEX AND TRIPLEX TUBE EXTENSION CONVERSION KITS	10-4
CARRIAGE (SIX ROLLER) (SIMPLEX)	6-12	E	
CARRIAGE (SIX ROLLER) (DUPLEX)	6-48	ELECTRICAL PARTS (CONTACTOR HYDRAULIC) ...	2-8
CARRIAGE (SIX ROLLER) (TRIPLEX)	6-30	ELECTRICAL PARTS (SCR HYDRAULIC)	2-12
CONTACTOR (1A) (WITH REGENERATIVE BRAKING)	2-44	F	
CONTACTOR (1A) (WITHOUT REGENERATIVE BRAKING)	2-42	FENDER CONVERSION KITS	10-3
CONTACTOR (FIELD WEAKENING)	2-48	FLOORPLATES	1-24
CONTACTOR (FORWARD AND REVERSE)	2-40	FREE LIFT (TRIPLEX)	6-22
CONTACTOR (HYDRAULIC PUMP)	2-46	FREE-LIFT CYLINDER (DUPLEX)	6-46
CONTACTOR PANEL (CONTACTOR HYDRAULIC) (WITH FIELD WEAKENING)	2-20	FREE-LIFT CYLINDER (TRIPLEX)	6-28
CONTACTOR PANEL (CONTACTOR HYDRAULIC) (WITH REGENERATIVE BRAKING)	2-22	FREE-LIFT (DUPLEX)	6-38
CONTACTOR PANEL (CONTACTOR HYDRAULIC) (WITH REGENERATIVE BRAKING AND FIELD WEAKENING)	2-18	G	
CONTACTOR PANEL (CONTACTOR HYDRAULIC) (WITHOUT REGENERATIVE BRAKING AND FIELD WEAKENING)	2-24	GE DIAGNOSTIC TRACTION SCR PANEL (WITH BDI)	2-34
CONTACTOR PANEL (SCR HYDRAULIC) (WITH FIELD WEAKENING)	2-28	GENERAL TRUCK	1-2
CONTACTOR PANEL (SCR HYDRAULIC) (WITH REGENERATIVE BRAKING)	2-30	H	
CONTACTOR PANEL (SCR HYDRAULIC) (WITH REGENERATIVE BRAKING AND FIELD WEAKENING)	2-26	HANDLEVERS (FOUR FUNCTION) (WITH DETENT LEVERS)	7-8
CONTACTOR PANEL (SCR HYDRAULIC) (WITHOUT REGENERATIVE BRAKING AND FIELD WEAKENING)	2-32	HANDLEVERS (THREE FUNCTION) (WITH DETENT LEVERS)	7-6
CONTACTOR (STEERING)	2-49	HANDLEVERS (THREE FUNCTION) (WITHOUT DETENT LEVERS)	7-4
CONTROL PANEL (CONTACTOR HYDRAULIC)	2-14	HANDLEVERS (TWO FUNCTION)	7-2
CONTROL PANEL (SCR HYDRAULIC)	2-16	HARNES AND DC-DC CONVERTOR KITS	10-4
CONTROL VALVES CONVERSION KITS	10-3	HOOD	1-18
		HOSE TAKE-UP CONVERSION KITS (SIMPLEX) ...	10-4
		HOSE TAKE-UP CONVERSION KITS (DUPLEX) ...	10-5
		HOSE TAKE-UP CONVERSION KITS (TRIPLEX) ...	10-6
		HOSE TAKE-UP (DUPLEX) (FOUR FUNCTION)	8-20
		HOSE TAKE-UP (DUPLEX) (THREE FUNCTION) ...	8-18

DESCRIPTION	PAGE NO.	DESCRIPTION	PAGE NO.
H (Cont.)		M (Cont.)	
HOSE TAKE-UP (HOSE ASSEMBLY LIST)	10-7	MAIN CYLINDER, RH (TRIPLEX)	6-26
HOSE TAKE-UP (SIMPLEX) (FOUR FUNCTION)	8-8	MAIN LIFT (DUPLEX)	6-36
HOSE TAKE-UP (SIMPLEX) (THREE FUNCTION)	8-6	MAIN LIFT (TRIPLEX)	6-20
HOSE TAKE-UP (TRIPLEX) (FOUR FUNCTION)	8-14	MAST INSTALLATION	7-24
HOSE TAKE-UP (TRIPLEX) (THREE FUNCTION)	8-10	MAST TILT CONVERSION KITS	10-3
HYDRAULIC CONTROL VALVE (FOUR FUNCTION)	7-20	MASTER CYLINDER	4-14
HYDRAULIC CONTROL VALVE (THREE FUNCTION)	7-16	N	
HYDRAULIC GROUP	7-38	NON-SUSPENSION SEAT	1-4
HYDRAULIC MOTOR (ENHANCED PERFORMANCE) (OPTIONAL)	2-62	O	
HYDRAULIC MOTOR (PREMIUM PERFORMANCE) (WITH BWI)	2-61	OPERATOR TRAINING	12-2
HYDRAULIC MOTOR (STANDARD PERFORMANCE) (OPTIONAL)	2-60	ORBITROL UNIT (STEERING CONTROL) (S/N A814V-2924 AND UP)	5-7
HYDRAULIC MOTOR (STANDARD PERFORMANCE)	2-58	ORBITROL UNIT (STEERING CONTROL) (UP TO S/N A814V-2924)	5-6
HYDRAULIC PUMP (HOIST)	7-30	OUTER MAST (DUPLEX)	6-32
HYDRAULIC PUMP (PREMIUM PERFORMANCE)	7-36	OUTER MAST (SIMPLEX)	6-2
HYDRAULIC PUMP-HOIST (DOUBLE GEAR) (S/N A814V-3177 AND UP, EXCEPT 3181)	7-34	OUTER MAST (TRIPLEX)	6-14
HYDRAULIC PUMP-HOIST (SINGLE GEAR) (S/N A814V-3177 AND UP, EXCEPT 3181)	7-32	OVERHEAD GUARD (S/N A814V-1923 AND UP)	1-15
HYDRAULIC STEERING SYSTEM	5-14	OVERHEAD GUARD (UP TO S/N A814V-1923)	1-14
HYDRAULIC TANK GROUP	7-40	P	
I		PARK BRAKE LINKAGE (SEAT ACTUATED)	4-8
INNER MAST (DUPLEX)	6-34	PARKING BRAKE (LEVER ACTUATED)	4-10
INNER MAST (SIMPLEX)	6-4	PUMP/MOTOR MOUNT (HOIST)	7-28
INNER MAST (TRIPLEX)	6-18	S	
INSTRUMENT PANEL	2-4	SCR PANEL (PUMP)	2-38
L		SECONDARY MAST (TRIPLEX)	6-16
LABEL AND PLATE LOCATION	1-10	SERVICE PARTS ORDERING INSTRUCTIONS	12-2
LIFT CYLINDER, LH (SIMPLEX)	6-8	SERVICE TRAINING COURSES	12-2
LIFT CYLINDER, RH (SIMPLEX)	6-10	SERVICE TRAINING MATERIALS	12-2
LIFT (SIMPLEX)	6-6	SHIFT LEVER	2-7
LIGHT KITS 12V	10-3	SIDESHIFT CARRIAGE	8-2
LIGHT KITS 36/48V	10-3	SIDESHIFT CYLINDER	8-4
LIGHTING SCHEMATIC DIAGRAM	2-86	SIMPLEX TUBE EXTENSION CONVERSION KITS	10-4
LOAD BACKREST WELDMENT	1-13	STEER WHEEL AND TIRE ASSEMBLY (PNEUMATIC)	5-9
LOAD FORK ASSEMBLIES	1-16	STEER WHEEL AND TIRE ASSEMBLY	5-8
M		STEERING AXLE GROUP	5-2
MAIN CYLINDER, LH (DUPLEX)	6-42	STEERING CYLINDER	5-13
MAIN CYLINDER, LH (TRIPLEX)	6-24	STEERING MOTOR (UP TO S/N A814V-2924)	5-16
MAIN CYLINDER, RH (DUPLEX)	6-44	STEERING MOTOR (WITH BRUSH WEAR INDICATOR) (S/N A814V-2924 THRU S/N A814V-3529)	5-18

ALPHABETICAL INDEX

DESCRIPTION	PAGE NO.	DESCRIPTION	PAGE NO.
S (Cont.)		W	
STEERING MOTOR (WITH BRUSH WEAR INDICATOR) (S/N A814V-3529 AND UP)	5-20	WIRING DIAGRAM (CONTACTOR CONTROL FOR LIFT PUMP MOTOR)	2-78
STEERING MOTOR (WITHOUT BRUSH WEAR INDICATOR) (S/N A814V-2924 THRU A814V-A814V-3512, INCLUDING 3515,3517, 3519,3520,3522,3523)	5-22	WIRING DIAGRAM (EV-100ZX SCR CONTROL FOR LIFT PUMP MOTOR)	2-77
STEERING MOTOR (WITHOUT BRUSH WEAR INDICATOR) (S/N A814V-3512 AND UP, EXCEPT 3515,3517,3519,3520,3522,3523)	5-24	WIRING DIAGRAM (EV-100ZX SCR CONTROL FOR TRACTION)	2-76
STEERING POD	5-4	WIRING DIAGRAM	2-80
STEERING PUMP (S/N A814V-2924 AND UP)	5-12	WIRING DIAGRAM	2-82
STEERING PUMP (DATE BREAK 4/97 THRU S/N A814V-2924)	5-11	WIRING DIAGRAM	2-84
STEERING PUMP (UP TO DATE BREAK 4/97)	5-10	WIRING HARNESS (CHASSIS LIGHT)	2-70
STROBE LIGHT	9-6	WIRING HARNESS (HANDLEVER) (CONTACTOR HYDRAULICS)	2-72
SUSPENSION SEAT (SEARS)	1-6	WIRING HARNESS (HANDLEVER) (SCR HYDRAULICS)	2-73
T		WIRING HARNESS (IGNITION SWITCH)	2-69
TECHNICAL SERVICE PUBLICATIONS	12-2	WIRING HARNESS (INSTRUMENT CLUSTER) (CONTACTOR HYDRAULICS)	2-68
TILT CYLINDER	7-26	WIRING HARNESS (INSTRUMENT CLUSTER) (SCR HYDRAULICS)	2-67
TRACTION MOTOR ("95D")	2-54	WIRING HARNESS (INSTRUMENT CLUSTER WITH GE DISPLAY)	2-75
TRACTION MOTOR (PREMIUM) ("95B")	2-52	WIRING HARNESS (LIGHT)	9-9
TRACTION MOTOR (STANDARD) ("95B")	2-50	WIRING HARNESS (MAIN)	2-74
TRANSMISSION ASSEMBLY	3-4	WIRING HARNESS (ON-DEMAND STEERING)	2-65
V		WIRING HARNESS (STEER MOTOR) (SCR HYDRAULICS)	2-71
VALVE ATTACHING PARTS (FOUR FUNCTION)	7-14		
VALVE ATTACHING PARTS (THREE FUNCTION) ...	7-12		
VALVE ATTACHING PARTS (TWO FUNCTION)	7-10		

RECOMMENDED SPARE PARTS LIST

The following parts list is intended for use as a guide when stocking spare parts for all STANDARD truck models used under NORMAL operating conditions. For trucks that are used for special applications and/or are operated in areas of high contamination such as dust, corrosive vapors, etc., consult your nearest Authorized Yale dealer for assistance in selecting and stocking all necessary spare parts. To determine where parts are used, refer to the numeric index in Section 11 of this manual.

CATEGORY	PART NUMBER	PART DESCRIPTION	PER UNIT	1-5 UNITS	6-20 UNITS	OVER 20 UNITS
NON SUSPENSION SEAT	504268740	SEAT, VINYL	1	0	1	1
	504268741	SEAT, FABRIC	1	1	1	1
	518793606	SWITCH	1	1	1	1
SUSPENSION SEAT	504259766	BACK CUSHION, VINYL	1	1	1	1
	504259773	BACK CUSHION, FABRIC	1	1	1	1
	504259767	SEAT CUSHION, VINYL	1	1	1	1
	504259774	SEAT CUSHION, FABRIC	1	1	1	1
	518793606	SWITCH	1	1	1	1
ACCELERATOR LINKAGE	504228295	SWITCH	1	1	1	1
HOOD	520045104	GAS SPRING	1	1	1	1
INSTRUMENT PANEL	520043808	SWITCH	2	2	4	6
	504240838	IGNITION SWITCH	1	1	2	4
	504240712	KEY	1	2	4	6
ELECTRICAL	520049833	HORN (36V)	1	1	1	2
	520049835	HORN (48V)	1	1	1	2
CONTROL PANEL	504235284	FUSE-500 AMP	1	1	3	6
	504226299	FUSE-325 AMP	1	1	3	6
	518796606	FUSE-40 AMP	1	1	1	2
	925842300	FIELD WEAK. RESISTOR	2	1	2	4
CONTACTOR PANEL- AND SCR HYDRAULIC	504227211	DIODE #7	1	1	1	2
	500903103	FUSE	2	2	4	6
	504237285	FUSE	1	1	1	2
TRACTION PANEL	516913825	KIT #1 SCR	1	1	2	2
	516913826	DIODE #3/#4	1	1	1	1
	516913805	RECTIFIER	2	1	2	2
	516913828	SCR #5	1	1	1	2
	516913827	SCR #2	1	1	1	2
	504223239	SILICONE GREASE	AR	1	1	1
PUMP PANEL	504223236	KIT #1 RECTIFIER	1	1	1	2
	504236236	DIODE #3/#4	1	1	1	2
	516913805	RECTIFIER	1	1	1	2
	516913827	SCR #2	1	1	1	2
	516913828	SCR #5	1	1	1	2

RECOMMENDED SPARE PARTS LIST (Continued)

CATEGORY	PART NUMBER	PART DESCRIPTION	PER UNIT	1-5 UNITS	6-20 UNITS	OVER 20 UNITS
DIRECTION CONTACTOR	516869843	CONTACT TIP	2	2	2	4
	516869839	CONTACT TIP	1	1	1	2
	516869842	CONTACT TIP	1	1	1	2
	516869841	CONTACT TIP	1	1	1	2
	516869840	CONTACT TIP	1	1	1	2
	516858808	CONTACT TIP	4	4	4	8
1A CONTACTOR	516869829	CONTACT TIP	2	2	4	4
	516858807	CONTACT TIP	1	1	2	4
	516859801	SPRING	1	1	1	2
PUMP/1A CONTACTOR	516869837	CONTACT TIP	2	2	4	8
	516858806	CONTACT TIP	1	1	2	4
	516859802	SPRING	1	1	1	2
FIELD WEAKENING CONTACTOR	516869837	CONTACT TIP	2	2	4	8
	516858805	CONTACT TIP	1	1	2	4
	516859801	SPRING	1	1	1	2
CONTACTOR	296321148	KIT-CONTACT (WITH ON DMND)	1	1	1	1
	506395548	KIT-CONTACT (WITHOUT ON DMND)	1	1	1	1
TRACTION MOTOR ECONOMY	502507904	BEARING-DRIVE END	1	1	2	4
	520399808	BRUSH KIT	1	1	2	4
	134178102	BRUSH SPRING	4	4	8	12
	06771330C	BEARING	1	1	1	1
TRACTION MOTOR-PREMIUM	502507904	BEARING (DE)	1	1	2	4
	520399823	BRUSH KIT	1	2	2	4
	134178102	BRUSH SPRING	4	4	8	12
	06771330C	BEARING	1	1	1	1
HYDRAULIC MOTOR ECONOMY	520045091	BRUSH	4	4	8	12
	520045089	SPRING	8	8	8	16
	504575204	BEARING	1	1	1	1
	504575206	BEARING (DE)	1	1	1	1
HYDRAULIC MOTOR PREMIUM	504229274	BRUSH	4	4	8	12
	519745812	BRUSH SPRING	8	8	8	16
	519745801	BEARING	1	1	1	2
	519745810	BEARING (DE)	1	1	1	2
	504229211	THERMOSTAT KIT	1	1	1	2
BATTERY CONNECTOR	514268301	CONNECTOR 36V	1	1	2	3
	514268309	CONNECTOR 48V	1	1	2	3

RECOMMENDED SPARE PARTS LIST (Continued)

CATEGORY	PART NUMBER	PART DESCRIPTION	PER UNIT	1-5 UNITS	6-20 UNITS	OVER 20 UNITS
DRIVE UNIT	921949300	OIL SEAL	2	2	2	4
	909902401	STUD	12	6	12	24
	909932409	BEARING SET	2	2	2	4
	909932401	BEARING SET	2	2	2	4
	920802300	OIL SEAL	2	2	2	4
TRANSMISSION	056229900	BEARING SET	2	2	2	4
	201922800	BEARING SET	2	2	2	4
	950513903	BEARING SET	1	1	1	2
	950513905	BEARING SET	1	1	1	2
	909932401	BEARING SET	2	2	2	4
BRAKE	900094804	WHEEL CYLINDER, LH	2	2	2	4
	900094827	WHEEL CYLINDER, RH	2	2	2	4
	904165100	WHEEL CYLINDER KIT	2	2	4	4
	927113300	SHOE/LINING KIT	2	2	4	6
	926640300	SHOE HOLD DOWN KIT	2	2	4	6
	900094807	SPRING	2	2	2	4
BRAKE PEDAL	504228223	SWITCH	1	1	1	1
PARK BRAKE LINKAGE	504069703	SWITCH	1	1	1	1
PARKING BRAKE	519412815	BRAKE SHOE KIT	1	1	1	2
BRAKE MASTER CYLINDER	505963537	MASTER CYLINDER	1	1	1	1
	505963564	SEAT KIT	1	1	2	3
STEERING AXLE	907309300	BEARING SET	2	2	2	4
	906150100	SEAL	2	2	2	4
	950430912	BEARING SET	2	2	2	4
	909932406	BEARING SET	2	2	2	4
	909932405	BEARING SET	2	2	2	4
	921787300	WEAR SLEEVE	2	2	2	4
	958506995	OIL SEAL	2	2	2	4
ORBITROL UNIT	518793650	SEAL KIT	1	1	1	1
STEERING PUMP	900009254	STEER PUMP	1	1	1	1
	504226230	REPAIR KIT	1	1	1	1
STEERING CYLINDER	901905851	SEAL KIT	1	1	1	1
HYD. STEERING SYSTEM	520045097	PRESSURE SWITCH	1	1	1	1
STEERING MOTOR	518804632	BEARING	1	1	1	1
	518805656	BRUSH (WITHOUT BWI)	2	2	4	6
	518805683	BRUSH (WITH BWI)	1	1	2	4
	518805689	BRUSH (WITH BWI)	1	1	2	4
	504230241	SPRING	2	1	2	4
	504230210	BALL BEARING	1	1	1	1

RECOMMENDED SPARE PARTS LIST (Continued)

CATEGORY	PART NUMBER	PART DESCRIPTION	PER UNIT	1-5 UNITS	6-20 UNITS	OVER 20 UNITS
MAST SIMPLEX CYLINDER CARRIAGE	504234265	SHIM (.020 IN)	4	4	8	12
	504075764	BEARING STRIP	2	2	2	4
	504075763	LOAD ROLLER	4	4	4	8
	504233232	SHIM	AR	4	6	8
	520040899	BEARING	2	2	2	4
	505136043	SEAL KIT	2	2	2	4
	504075763	LOAD ROLLER (6 ROLLER)	6	6	6	12
	504233232	SHIM	AR	4	6	8
MAST TRIPLEX MAIN CYLINDER FL CYLINDER CARRIAGE	504234265	SHIM (.020 IN)	4	4	8	12
	504075764	BEARING STRIP	2	2	2	4
	504075763	LOAD ROLLER	4	4	4	8
	504233232	SHIM	AR	4	6	8
	520040899	BEARING	2	2	2	4
	505136042	SEAL KIT	2	2	2	4
	505136049	SEAL KIT	2	2	2	4
	518797684	LOAD ROLLER (6 ROLLER)	6	6	6	12
	504233232	SHIM	AR	4	6	8
MAST DUPLEX MAIN CYLINDER FL CYLINDER CARRIAGE	504234265	SHIM (.020 IN)	4	4	8	12
	504075764	BEARING STRIP	2	2	2	4
	504075763	LOAD ROLLER	4	4	4	8
	504233232	SHIM	AR	4	6	8
	520040899	BEARING	2	2	2	4
	505136050	SEAL KIT	2	2	2	4
	505136049	SEAL KIT	2	2	2	4
	504075763	LOAD ROLLER (6 ROLLER)	6	6	6	12
	504233232	SHIM	AR	4	6	8
HYD. CONTROL VALVE	504232220	SEAL KIT	2	2	2	4
TILT CYLINDER	516149006	SEAL KIT	2	2	2	4
PUMP/MOTOR MOUNT	504228203	COUPLER	1	1	1	2
HYD. PUMP (TYPE EE)	504229290	PUMP	1	1	1	1
	504229279	REPAIR KIT	1	1	1	1
HYD. PUMP (OPT.)(TYPE EE)	518796644	PUMP	1	1	1	1
	518800661	FLANGE KIT	1	1	1	1
HYD. PUMP (STANDARD)	505974564	PUMP	1	1	2	3
	518802620	FLANGE KIT	1	1	1	1
	520329810	SEAL KIT	1	1	1	1
SIDESHIFT CYLINDER	505136053	SEAL KIT	1	1	1	2
HYDRAULIC	505973580	FILTER	1	1	2	4

MASTER PART SHEET CROSS REFERENCE

NOTE: Throughout this manual is a reference to a Part Sheet Number after the description of a part or assembly.

EXAMPLE:

ITEM	PART NO.	DESCRIPTON	NO. REQD.
25	912445601	Steering Cylinder (☞ Parts Sheet 6E71)	1
26	916667300	Mount	2

Below is a numerical listing of Part Sheet Numbers versus Page Numbers.

PART SHEET	PAGE NO.	PART SHEET	PAGE NO.	PART SHEET	PAGE NO.
1B41	1-2	5G264	2-78	6K47	7-40
		5G265	2-80	6L2CY	7-38
2A55	4-2	5G266	2-82	6L5BN	5-14
2B38	4-14	5G267	2-84	6N12	2-60
2D78	4-8	5G268	2-86	6N13	2-62
2D79	4-10	5K24	2-64	6T112	7-28
2E95	4-6	5Z187	9-7		
2G17	4-12	5Z188	9-8	7A52	2-4
		5Z189	9-9	7E2CN	7-4
3A276	6-2	5Z204	2-69	7E2CP	7-6
3B133	6-32	5Z207	2-72	7E2CQ	7-8
3C268	6-14	5Z208	2-73	7E2CW	7-2
3D191	6-12	5Z232	2-65	7E2CZ	7-12
3D192	6-30	5Z233	2-67	7E2DA	7-14
3D193	6-48	5Z235	2-68	7E2DJ	7-10
		5Z236	2-70	7G70	1-8
4E5AC	9-10	5Z237	2-71		
		5Z238	2-74	8A1CD	3-2
5B397	2-34	5Z239	2-75	8B1AF	3-4
5B398	2-38	5Z240	9-2	8C39	3-6
5B418	2-8	5Z241	9-4		
5B419	2-12	5Z242	9-6	9B2BS	5-6
5B420	2-14			9D73	2-7
5B421	2-16			9D74	5-4
5B422	2-18	6A144	6-10		
5B423	2-20	6B45	6-42	10B36	5-2
5B424	2-22	6B56	6-46		
5B425	2-24	6C52	6-24	11A60	3-8
5B426	2-26	6C66	6-28	11A61	5-8
5B427	2-28	6D106	7-26	11A68	5-9
5B428	2-30	6D110	7-24	11C28	3-10
5B429	2-32	6E71	5-13		
5C209	2-46	6G42	8-4	12A205	2-50
5C211	2-40	6H155	7-16	12A206	2-52
5C212	2-42	6H156	7-20	12A207	2-54
5C213	2-44	6J241	7-30	12B125	2-61
5C228	2-49	6J264	7-36	12B145	2-58
5C238	2-48	6J271	5-10	12B157	5-16
5G262	2-76	6J288	5-12	12B158	5-18
5G263	2-77	6J293	5-11	12B160	5-22

MASTER PART SHEET CROSS REFERENCE

NOTE: Throughout this manual is a reference to a Part Sheet Number after the description of a part or assembly.

EXAMPLE:

ITEM	PART NO.	DESCRIPTION	NO. REQD.
25	912445601	Steering Cylinder (☐ Parts Sheet 6E71)	1
26	916667300	Mount	2

Below is a numerical listing of Part Sheet Numbers versus Page Numbers.

PART SHEET	PAGE NO.	PART SHEET	PAGE NO.	PART SHEET	PAGE NO.
13B29	8-2				
13K304	8-6				
13K305	8-8				
13K306	8-10				
13K307	8-14				
13K308	8-18				
13K309	8-20				
13R38	1-13				
13R43	1-16				
14A133	1-12				
14A134	1-14				
14A135	1-18				
14A136	1-22				
14A137	1-24				
14A148	1-15				
14B52	1-4				
14B53	1-6				
14G102	1-10				
P10006	5-7				
P10014	7-32				
P10093	7-34				
P10299	5-24				
P10300	5-20				
P11060	4-4				
P11313	2-36				

SECTIONS

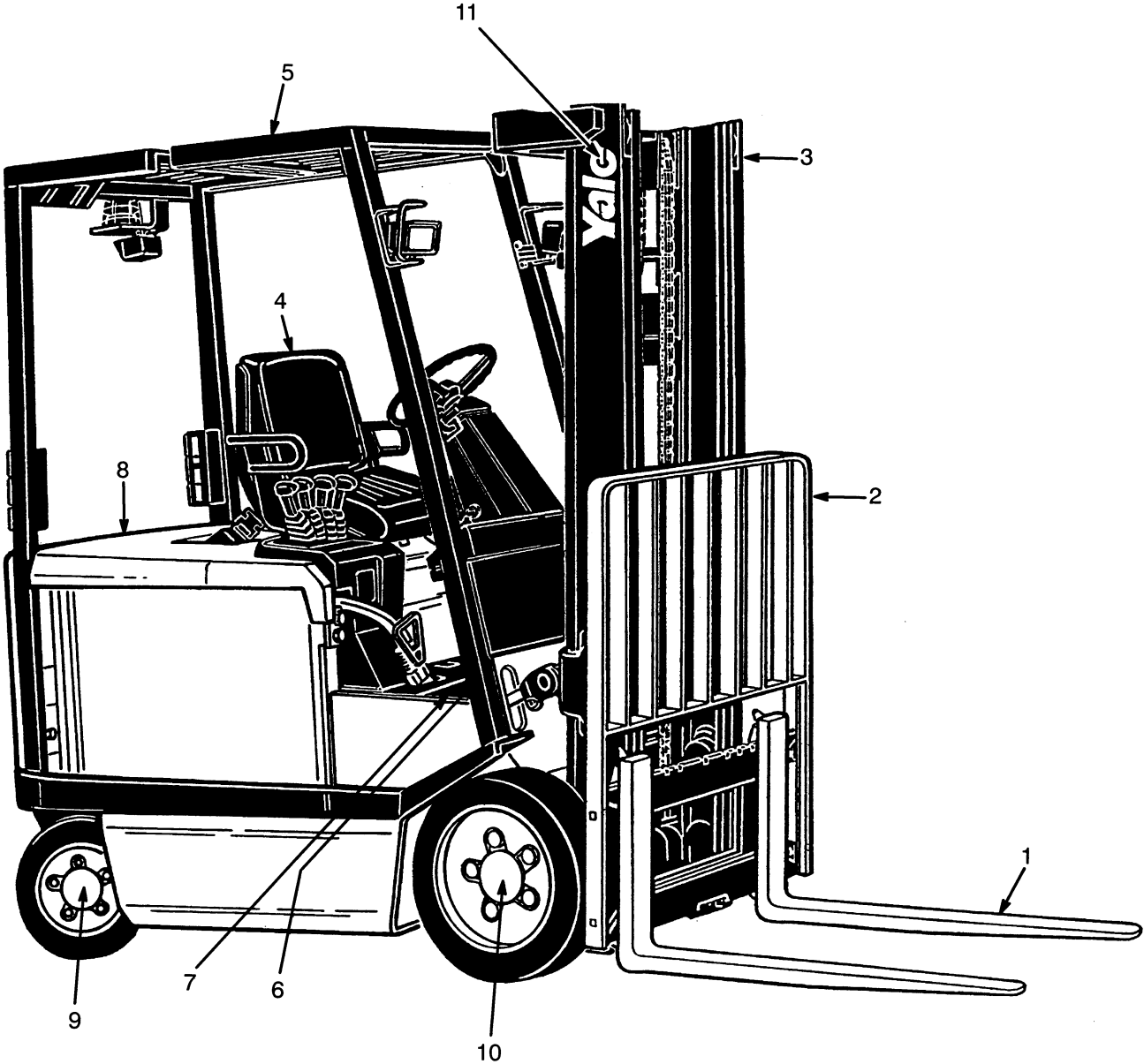
1	GENERAL TRUCK
2	ELECTRICAL SYSTEM
3	DRIVE UNIT ASSEMBLY
4	BRAKE SYSTEM
5	STEERING SYSTEM
6	LIFTING MECHANISM
7	HYDRAULIC SYSTEM
8	ATTACHMENTS AND HOSE TAKE-UPS
9	ACCESSORIES
10	FIELD CONVERSION KITS
11	NUMERICAL INDEX
12	USER SUPPORT INFORMATION

This Service Parts Manual is divided into Twelve (12) major sections which are listed at the right side of this page. Quick reference to these sections can be made by placing the right thumb on the tab of the desired section, bending the book back and thumbing the pages to the corresponding tab.

1	GENERAL TRUCK
---	---------------

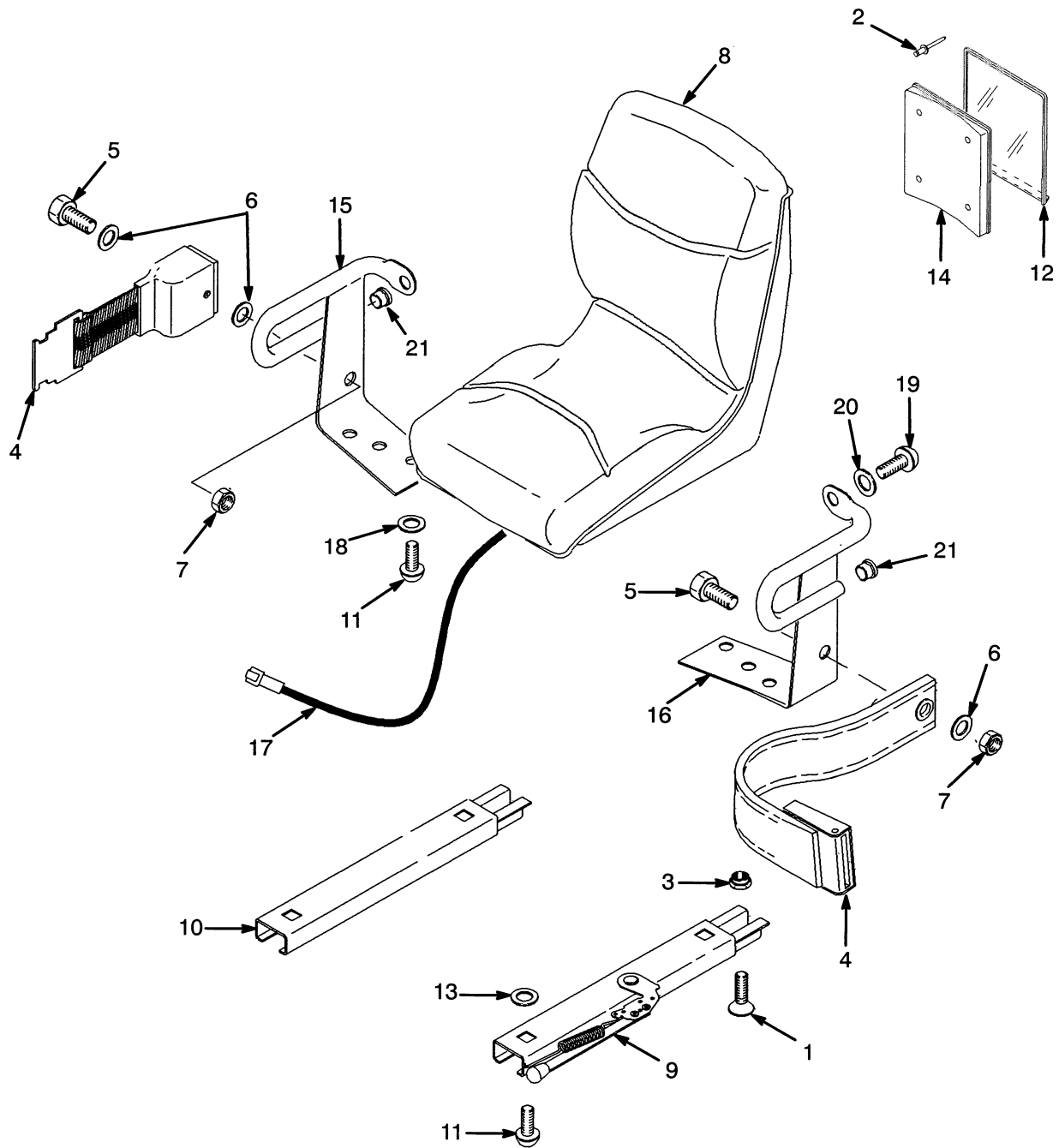
GENERAL
TABLE OF CONTENTS

DESCRIPTION	PAGE NUMBER
ACCELERATOR LINKAGE	1-8
COUNTERWEIGHT	1-12
COVERS	1-22
FLOORPLATES	1-24
GENERAL TRUCK	1-2
HOOD	1-18
LABEL AND PLATE LOCATION	1-10
LOAD BACKREST WELDMENT	1-13
LOAD FORK ASSEMBLIES	1-16
NON-SUSPENSION SEAT	1-4
OVERHEAD GUARD (S/N A814V-1923 AND UP)	1-15
OVERHEAD GUARD (UP TO S/N A814V-1923)	1-14
SUSPENSION SEAT (SEARS)	1-6



ITEM	PART NO.	DESCRIPTION	NO. REQD.
1	Load Fork Assy (☞ 13R43)	2
2	Load Backrest (☞ 13R38)	1
3	Mast - Simplex (☞ 3A276)	1
3	Mast - Duplex (☞ 3B133)	1
3	Mast - Triplex (☞ 3C268)	1
4	Seat-Operators (☞ 14B52, 14B53)	1
5	Overhead Guard (☞ 14A134, 14A148)	1
6	Accelerator Pedal (☞ 7G70)	1
7	Floorplates (☞ 14A137)	1
8	Counterweight (☞ 14A133)	1
9	Steer Axle (☞ 10B36)	1
10	Drive Axle Assy (☞ 8A1CD)	1
11	Label And Plate Location (☞ 14G102)	AR

NON-SUSPENSION SEAT



NON-SUSPENSION SEAT

ITEM	PART NO.	DESCRIPTION	NO. REQD.
1	504235248	Capscrew	4
2	501904909	Rivet	4
3	504227297	Nut	4
4	518796683	Seat Belt	1
5	504223249	Capscrew	2
6	504223217	Washer	3
7	504223224	Nut	2
8	504268740	Seat, Vinyl	1
8	504268741	Seat, Fabric	1
9	505974541	Seat Rail, LH (Without Seat Brake)	1
9	504226289	Seat Rail, LH (With Seat Brake)	1
10	505974582	Seat Rail, RH (Without Seat Brake)	1
10	504226247	Seat Rail, RH (With Seat Brake)	1
11	501753902	Capscrew	8
12	519996803	Cover	1
13	504233267	Washer	4
14	519996801	Base	1
15	518793655	Hip Restraint, RH	1
16	518793623	Hip Restraint, LH	1
17	518793606	Switch (Operator Sensor)	1
18	016103700	Washer	4
19	504239208	Capscrew	2
20	504239228	Washer	2
21	504226209	Plug	2



14B53 09-99

SUSPENSION SEAT (SEARS)

