

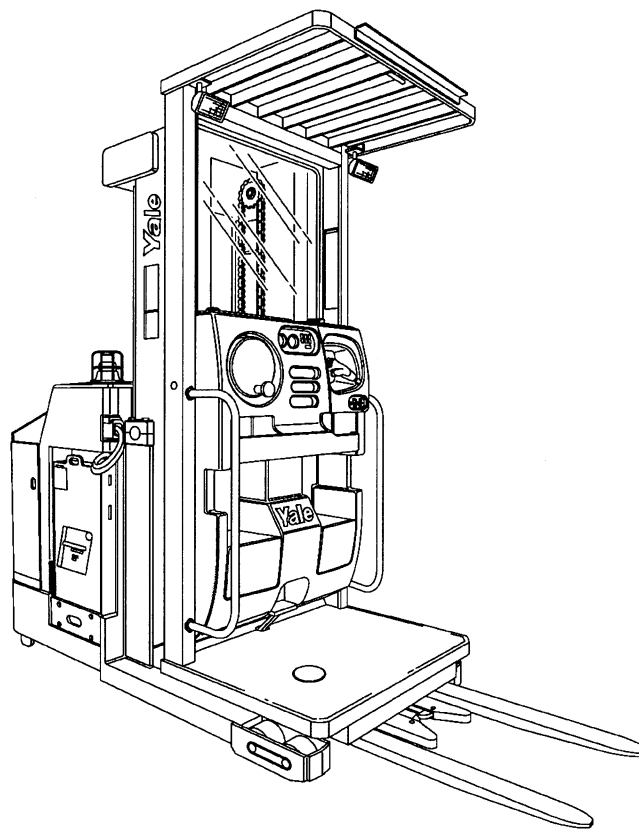
PARTS MANUAL

For Model

OS 030 EB

(B801)

3,000 LB. CAPACITY



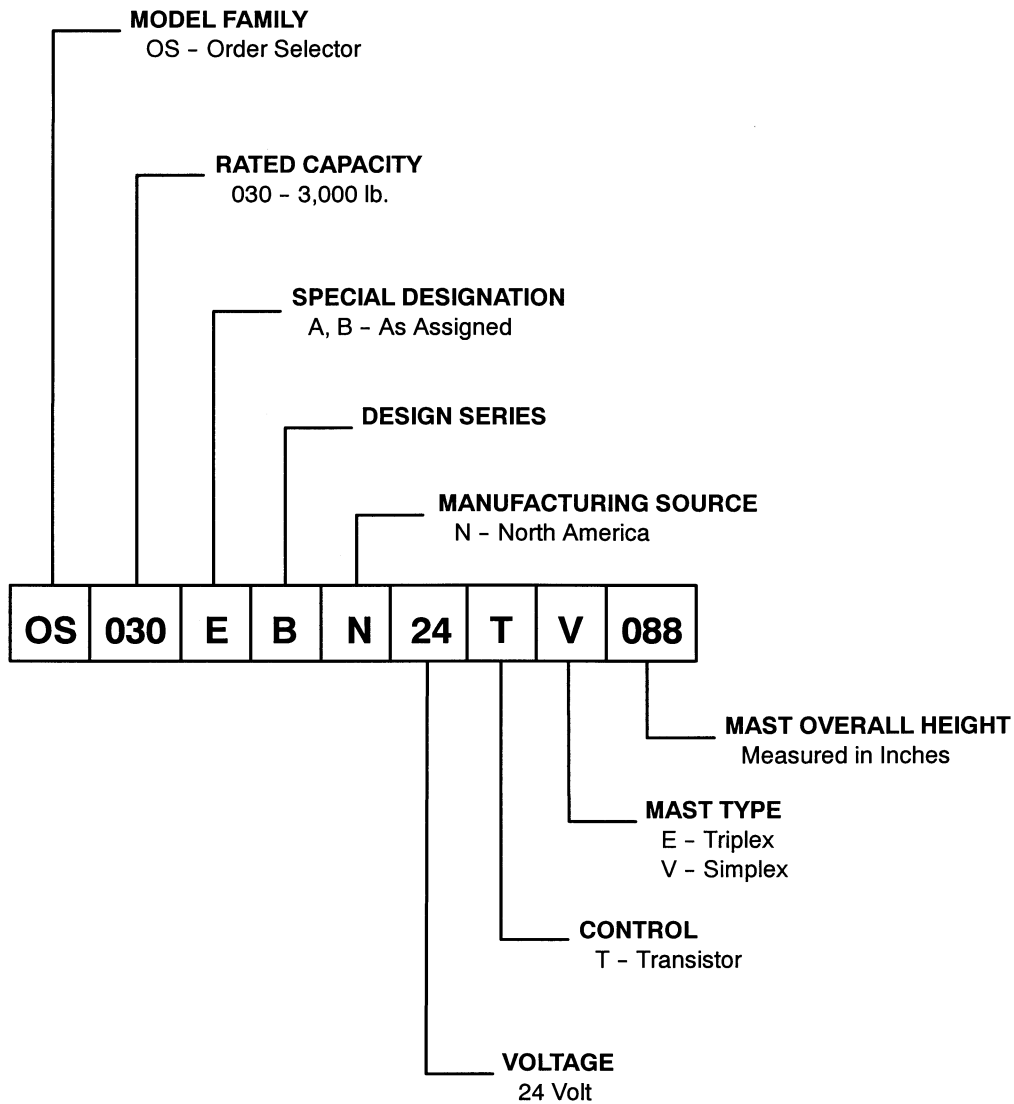
NA00733

For Service & Parts Contact

Authorized Dealer

Yale Materials Handling Corp.
1400 Sullivan Drive
Caller No. 12011
Greenville, NC 27834 USA

P/N 524139969
© Yale Corp.
January 2000



This parts manual contains alternate pages on certain assemblies. The truck model code can be used to determine the tire type, and mast type that the truck is equipped with. The complete truck model and serial number are printed onto the capacity plate.

B

Battery Connector 2-8

C

Chains, Pins and Anchors-Simplex 6-5
 Chains, Pins and Anchors-Triplex 6-17
 Connecting and Take-up Hoses-Simplex 6-9
 Connecting and Take-up Hoses-Triplex 6-21
 Connecting and Take-up Hoses-Triplex
 with Wire Guidance 6-23
 Contactor-Forward and Reverse 2-9
 Contactor-Lift 2-10
 Contactor-Main 2-11
 Contactor-Panel 2-7
 Control Compartment 1-5
 Control Handle-Two Button 2-18

D

Decal and Plate Location-Paint Specifications 1-15
 Drive Motor-24 Volt-"R" Motor 2-21
 Drive Unit -14.5:1 Gear Ratio 3-3

E

Electric Brake Assembly 3-5
 Electrical Parts Group 2-3

F

Fixed Console 8-7
 Fuse-10Amp 2-7
 Fuse-15 Amp 2-7
 Fuse-300 Amp 2-7
 Fuse-500 Amp 2-7

G

General Truck 1-3
 Guidance Assembly 2-13

H

Hoist Cylinder Installation-Simplex Mast 6-7
 Hoist Cylinder Installation-Triplex Mast 6-19
 Hoist Cylinder-Hi-Vis Simplex Mast 6-12
 Hoist Cylinder-Hi-Vis Triplex Mast 6-24
 Horn 1-9
 Hydraulic Pump Assembly 7-7
 Hydraulic System 7-3
 Hydraulic Tank Assembly 7-5

L

Lamp Assembly-Amber Flashing 1-3
 Lift Limit Switch Installation 8-3
 Light and Fan Installation 8-9
 Load Forks 1-16

M

MultiFunction Control Handle-Single Speed 2-17

O

Operator's Platform-Controls 1-7
 Operator's Platform-Structure 1-9
 Operator's Platform-Interface 1-11

P

Pallet Clamp Installation 1-13
 Power Disconnect 2-15

R

Relay Panel Assembly 2-4

S

Simplex-Stationary and Elevating System Mast 6-3
 Steer Motor w/ Wire Guidance 5-5
 Smart Steer Assembly 5-13

T

Table of Contents-Drive Unit and Brake Assembly 3-1
 Table of Contents-Electrical System 2-1
 Table of Contents-General Truck 1-1
 Table of Contents-Hydraulic System 7-1
 Table of Contents-Lifting Mechanism 6-1
 Table of Contents-Load Wheel 4-1
 Table of Contents-Options 8-1
 Table of Contents-Steering System 5-1
 Table of Contents-User Support Information 10-1
 Tach Steering Assembly 5-9
 Tandem Load Wheel Assembly 4-2
 Triplex-Stationary, Secondary, and Primary Masts 6-15

W

Wire Guidance 5-14
 Wiring Schematics 2-22

NOTE: Throughout this manual, a reference to a Part Sheet number is made after the description of a part or assembly.

EXAMPLE:

ITEM	PART NO.	DESCRIPTION	NO. REQD.
1	519678603	Hydraulic Pump Assembly (See Part Sheet 6J284)	1

Below is a numerical listing of Part Sheet numbers and their corresponding page numbers.

PART SHEET	PAGE NO.	PART SHEET	PAGE NO.	PART SHEET	PAGE NO.
1D24	1-2	6L3FB	7-2	9D93	5-6
2Z56	3-6	6J284	7-10	9D95	5-10
2A65	3-5	6J307	7-6	9E49	5-2
3A296	6-2 TO 6-9	6R24	7-4	9G144	2-18
3C293	6-14 TO 6-21	7D58	1-4	11A80	8-11
5B519	2-4	7D59	1-6	11B111	4-2
5B520	2-2	7D61	8-7	12A236	2-20
5B521	2-12	7D62	8-8	12B121	7-12
5C307	2-6	7D65	8-6	12B170	7-8
5C308	2-9	7D66	8-4	13K340	6-10
5C309	2-10	7D67	1-8	13K341	6-22
5C310	2-11	7D69	2-14	13Q7	1-12
5G310	2-22	7D70	1-10	13R70	1-16
5G312	2-30	7E3DV	2-16	14G114	1-14
5K34	2-8	8F3DC	3-2	15A146	8-9
5L36	8-2	9D90	5-8	15A147	5-14
6A150	6-12	9D91	5-4	15A148	5-12
6C75	6-18	9D92	5-5	15A153	8-10
6C76	6-24				

This Parts Manual is divided into major sections which are listed on this page. Quick reference to these sections can be made by placing the right thumb on the tab of the desired section, bending the book back and thumbing the pages to the corresponding tab.

SECTIONS

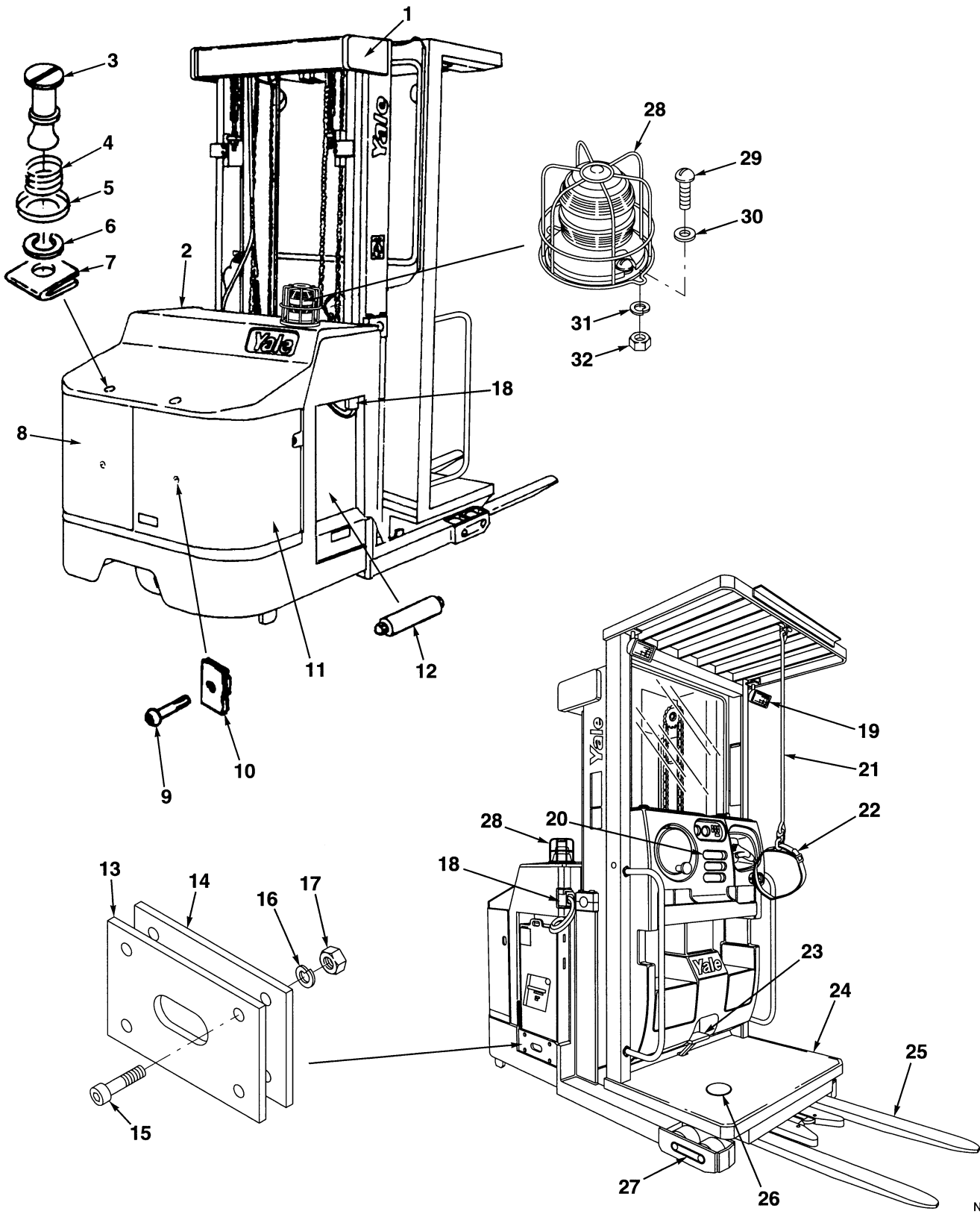
1	GENERAL TRUCK
2	ELECTRICAL SYSTEM
3	DRIVE UNIT AND BRAKE ASSEMBLY
4	LOAD WHEEL
5	STEERING SYSTEM
6	LIFTING MECHANISM
7	HYDRAULIC SYSTEM
8	OPTIONS
9	NUMERICAL INDEX
10	USER SUPPORT INFORMATION

1	GENERAL TRUCK
---	---------------

SECTION 1 - CONTENTS

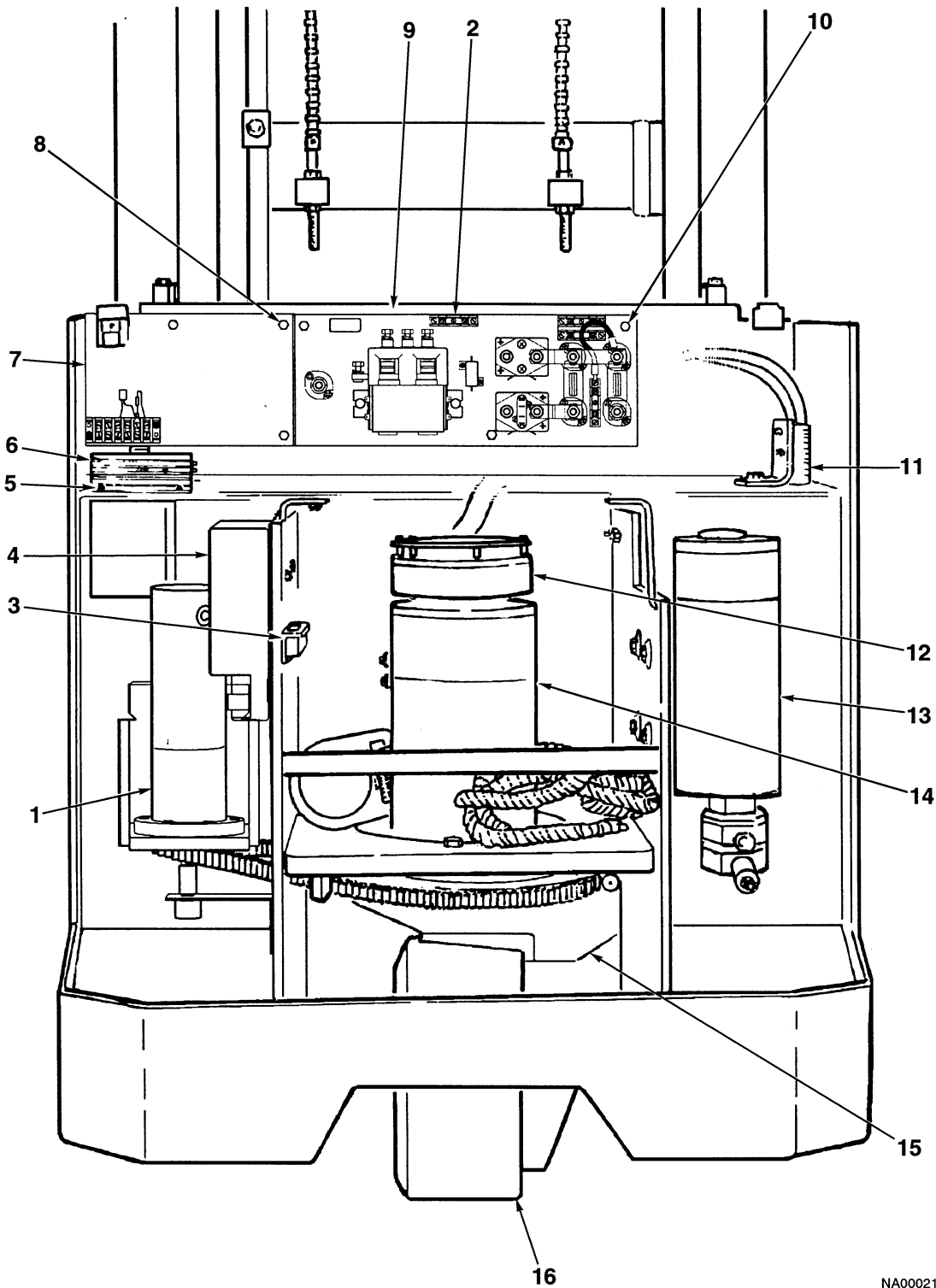
GENERAL TRUCK

DESCRIPTION	PAGE NUMBER
<i>CONTROL COMPARTMENT</i>	<i>1-4</i>
<i>DECAL AND PLATE LOCATION-PAINT SPECIFICATIONS</i>	<i>1-14</i>
<i>GENERAL TRUCK</i>	<i>1-2</i>
<i>LOAD FORKS</i>	<i>1-16</i>
<i>OPERATOR'S PLATFORM-CONTROLS</i>	<i>1-6</i>
<i>OPERATOR'S PLATFORM-INTERFACE</i>	<i>1-10</i>
<i>OPERATOR'S PLATFORM-STRUCTURE</i>	<i>1-8</i>
<i>PALLET CLAMP INSTALLATION</i>	<i>1-12</i>



NA00045

ITEM	PART NO.	DESCRIPTION	NO. REQD.
1	-	Mast Assembly-Simplex (See Part Sheet 3A296)	1
	-	Mast Assembly-Triplex (See Part Sheet 3C293)	1
2	524137780	Top Cover	1
3	506123501	Stud	4
4	506123502	Spring	4
5	506123503	Cupped Washer	4
6	506123504	Retainer	4
7	506123505	Nut	4
8	504010700	Compartment Door-R.H.	1
9	752876301	Thumb Screw 3/8"-16 x 1-1/4" Long	2
10	504236222	Nut	2
11	504011700	Compartment Door-L.H.	1
	504139200	Hinge Pin	2
12	504035206	Battery Roller	5
13	505876500	Battery Retainer-Standard	2
14	505996501	Spacer Plate-30.9" Battery	2
15	501753903	Button Head Screw 5/16"-18 x 1" Long	4
16	015026200	Lockwasher 5/16"	4
17	014936600	Hex. Nut 5/16"	4
18	-	Battery Connector (See Part Sheet 5K34)	1
19	-	Light and Fan Installation (See Part Sheet 15A146)	1
20	-	Operator's Platform-Controls (See Part Sheet 7D59)	1
21	504360200	Lanyard	1
22	504639202	Safety Belt-Medium-34" to 40"	1
23	-	Pallet Clamp Installation (See Part Sheet 13Q7)	1
24	-	Mat (See Part Sheet 7D67)	1
25	-	Load Forks (See Part Sheet 13R70)	2
26	-	Brake Release Switch (See Part Sheet 7D67)	1
27	-	Load Wheel Assembly (See Part Sheet 11B111)	1
28	585056801	Lamp Assembly-Amber Flashing	1
29	014863800	Rd. Head Screw 5/16"-18 x 1-1/2" Long	2
30	016103300	Washer	2
31	015025600	Lockwasher 5/16"	2
32	014936200	Hex. Nut	2



NA00021