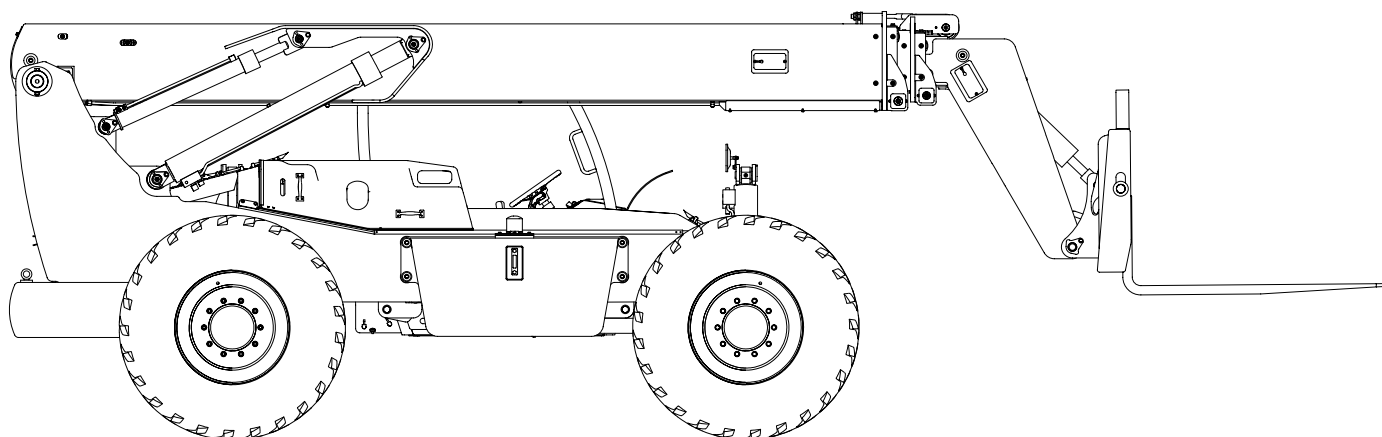




Illustrated Parts Breakdown Manual

Forward Reach Forklift

Model XR945



Xtreme Manufacturing
1415 West Bonanza Road
Las Vegas, NV 89106
(702) 858-2404
www.xtrememanufacturing.com

Copyright © 2006 By Xtreme Manufacturing

List of Effective Pages

This manual consists of 557 pages as listed below:

- Outside title page
- Inside title page
- Pages A through D
- Pages i through xi
- Pages 1-1 through 1-2
- Pages 2-1 through 2-44
- Pages 3-1 through 3-18
- Pages 4-1 through 4-16
- Pages 5-1 through 5-16
- Pages 6-1 through 6-14
- Pages 7-1 through 7-94
- Pages 8-1 through 8-30
- Pages 9-1 through 9-78
- Pages 10-1 through 10-68
- Pages 11-1 through 11-14
- Index 1 through Index 144
- Warranty 1 through Warranty 2

THIS PAGE INTENTIONALLY LEFT BLANK

Table of Contents

<u>Chap./Par.</u>	<u>Title</u>	<u>Page</u>
	List of Effective Pages	A
	Service Bulletins	B
	Design Change Notices	C
	Alphabetical List of Parts Breakdowns	ii
	Numerical List of Parts Breakdowns	v
	Section 1 – General Information	1-1
	Section 2 – Chassis	2-1
	Section 3 – Decals and Load Charts	3-1
	Section 4 – Engine	4-1
	Section 5 – Transmission, Axles, and Driveshafts	5-1
	Section 6 – Steering, Brakes, Wheels, and Tires	6-1
	Section 7 – Hydraulic System	7-1
	Section 8 – Electrical System	8-1
	Section 9 – Boom	9-1
	Section 10 – Cab and Consoles	10-1
	Section 11 – Boom Attachments	11-1
	Numerical and Alphabetical Indexes	Index 1

Alphabetical List of Parts Breakdowns

<u>Title</u>	<u>Figure No.</u>	<u>Page No.</u>
Accelerator Pedal Assembly	10-16.....	10-48
Accumulator Assembly.....	6-3.....	6-6
Accumulator Charge Valve Assembly.....	6-4.....	6-8
Adapter Assembly	9-14.....	9-50
Adapter Assembly	9-15.....	9-52
Air Cleaner Assembly.....	4-4.....	4-13
Angle Indicator Assembly.....	9-13.....	9-48
Basic Assembly	2-1.....	2-2
Basic Assembly	2-2.....	2-4
Battery Cover Assembly.....	10-20.....	10-58
Battery Disconnect Switch Assembly.....	8-8.....	8-18
Belleville Spring Stack.....	9-25.....	9-72
Boom Assembly	9-1.....	9-2
Boom Assembly	9-2.....	9-7
Boom Hose Kit	7-40.....	7-85
Boom Manifold Assembly.....	7-12.....	7-29
Boom Manifold Assembly.....	7-13.....	7-31
Brake Pressure Switch Assembly	6-5.....	6-10
Brake Valve Assembly	6-2.....	6-4
Cab Assembly	10-1.....	10-2
Carriage Pin Assembly.....	11-5.....	11-10
Carriage Pin Assembly.....	11-6.....	11-12
Carriage Post Assembly.....	11-4.....	11-8
Carriage Tilt Cylinder Assembly.....	7-32.....	7-69
Chain Sheave Assembly	9-23.....	9-68
Chain Sheave Assembly	9-24.....	9-70
Chassis Assembly – Axles	2-7.....	2-24
Chassis Assembly – Axles	2-8.....	2-29
Chassis Assembly – Covers & Console.....	2-9.....	2-35
Chassis Assembly – Covers & Console.....	2-10.....	2-40
Chassis Assembly – Engine.....	2-5.....	2-10
Chassis Assembly – Engine.....	2-6.....	2-17
Chassis Hose Kit.....	7-41.....	7-87

Alphabetical List of Parts Breakdowns – Cont.

<u>Title</u>	<u>Figure No.</u>	<u>Page No.</u>
Chassis Hose Kit.....	7-42.....	7-92
Console Roller Assembly.....	10-24.....	10-66
Control Enclosure Subassembly.....	10-6.....	10-21
Cylinder Collar Assembly.....	7-26.....	7-57
Cylinder Collar Assembly.....	7-27.....	7-59
Decals and Load Charts.....	3-1.....	3-2
Dipstick Tube Assembly.....	5-2.....	5-5
Distribution Manifold Assembly.....	7-7.....	7-14
Distribution Manifold Assembly.....	7-8.....	7-17
Driveshaft Assembly.....	5-7.....	5-15
Electrical Assembly.....	8-1.....	8-2
Electrical Assembly.....	8-2.....	8-5
Electrical Center Assembly.....	8-3.....	8-8
Engine Cover Assembly.....	10-18.....	10-52
Engine Relay Assembly.....	8-7.....	8-16
Engine Transmission Assembly.....	4-1.....	4-2
Extend Cylinder Assembly.....	7-24.....	7-53
Extend Cylinder Assembly.....	7-25.....	7-55
Extend Cylinder Housing Assembly.....	7-28.....	7-61
Extend Cylinder Housing Assembly.....	7-29.....	7-63
Extend Cylinder Pin Assembly.....	7-31.....	7-67
Extend Cylinder Support Assembly.....	7-30.....	7-65
Filler Plate Assembly.....	10-23.....	10-64
Final Assembly.....	2-3.....	2-6
Final Assembly.....	2-4.....	2-8
Front Axle Assembly.....	5-3.....	5-7
Front Axle Assembly.....	5-4.....	5-9
Front Axle Cylinder Assembly.....	7-37.....	7-79
Front Boot Assembly.....	10-14.....	10-44
Front Control Console Assembly.....	10-2.....	10-9
Front Control Console Assembly.....	10-3.....	10-12
Front Control Panel Assembly.....	10-4.....	10-15
Front Control Panel Assembly.....	10-5.....	10-18
Front Cover Assembly.....	10-17.....	10-50

Alphabetical List of Parts Breakdowns – Cont.

<u>Title</u>	<u>Figure No.</u>	<u>Page No.</u>
Front Handle Assembly.....	7-16.....	7-37
Front Handle Assembly.....	7-17.....	7-39
Fuel Tank Assembly.....	4-5.....	4-15
Fuse Block Assembly.....	8-9.....	8-20
High-Pressure Filter/Steering Valve Assembly.....	7-5.....	7-10
High-Pressure Filter/Steering Valve Assembly.....	7-6.....	7-12
Hose Clamp Assembly.....	9-27.....	9-76
Hydraulic Tank Assembly.....	7-1.....	7-2
Hydraulic Tank Assembly.....	7-2.....	7-4
Hydraulic Tank Assembly.....	7-3.....	7-6
Hydraulic Tank Assembly.....	7-4.....	7-8
Inner Boom Assembly.....	9-7.....	9-32
Inner Boom Assembly.....	9-8.....	9-35
Inner Boom Subassembly.....	9-9.....	9-38
Inner Boom Subassembly.....	9-10.....	9-41
Inner Boom Subassembly.....	9-11.....	9-44
Inner Boom Subassembly.....	9-12.....	9-46
Isolation Manifold Assembly.....	7-9.....	7-20
Isolation Manifold Assembly.....	7-10.....	7-23
Isolation Manifold Assembly.....	7-11.....	7-26
Lift Cylinder Assembly.....	7-22.....	7-49
Lift Cylinder Assembly.....	7-23.....	7-51
Master Cylinder Assembly.....	7-21.....	7-47
Mid Boom Assembly.....	9-5.....	9-20
Mid Boom Assembly.....	9-6.....	9-26
Mid Boom Roller Assembly.....	9-19.....	9-60
Operator Control Valve Assembly.....	7-14.....	7-33
Operator Control Valve Assembly.....	7-15.....	7-35
Optional Carriage Assembly.....	11-2.....	11-4
Outer Boom Assembly.....	9-3.....	9-13
Outer Boom Assembly.....	9-4.....	9-17
Outer Boom Roller Assembly.....	9-17.....	9-56
Outer Boom Roller Assembly.....	9-18.....	9-58
Overflow Tank Assembly.....	4-3.....	4-11

Alphabetical List of Parts Breakdowns – Cont.

<u>Title</u>	<u>Figure No.</u>	<u>Page No.</u>
Radiator Assembly	4-2.....	4-8
Radiator Cover Assembly	10-19.....	10-56
Radiator Shroud Assembly	10-22.....	10-62
Rear Axle Assembly	5-5.....	5-11
Rear Axle Assembly	5-6.....	5-13
Rear Axle Cylinder Assembly.....	7-38.....	7-81
Rear Axle Lock Manifold Assembly	7-39.....	7-83
Rear Boot Assembly	10-15.....	10-46
Rear Handle Assembly	7-20.....	7-45
Rear Light Assembly	10-21.....	10-60
Roller Assembly	9-20.....	9-62
Roller Assembly	9-21.....	9-64
Roller Assembly	9-22.....	9-66
Rotate Carriage Assembly	11-3.....	11-6
Rotate Cylinder Assembly.....	7-34.....	7-73
Rotate Cylinder Assembly.....	7-35.....	7-75
Rotate Cylinder Subassembly.....	7-36.....	7-77
Side Console Cover Assembly	10-10.....	10-36
Side Console Cover Assembly	10-11.....	10-38
Side Console Subassembly	10-12.....	10-40
Side Console Subassembly	10-13.....	10-42
Side Control Console Assembly	10-7.....	10-24
Side Control Console Assembly	10-8.....	10-28
Side Control Console Assembly	10-9.....	10-32
Slide Block Assembly.....	9-16.....	9-54
Solenoid Assembly.....	8-10.....	8-22
Solenoid Assembly.....	8-11.....	8-24
Standard Carriage Assembly	11-1.....	11-2
Steering Column Assembly.....	6-1.....	6-2
Sway Valve Handle Assembly	7-18.....	7-41
Sway Valve Handle Assembly	7-19.....	7-43
Terminal Strip Assembly	8-4.....	8-10
Terminal Strip Assembly	8-5.....	8-12
Terminal Strip Assembly	8-6.....	8-14

Alphabetical List of Parts Breakdowns – Cont.

<u>Title</u>	<u>Figure No.</u>	<u>Page No.</u>
Tilt Cylinder Subassembly.....	7-33.....	7-71
Transmission and Pump Assembly.....	5-1.....	5-2
Tube Clamp Assembly No. 2	9-26.....	9-74
Wheel Tire Assembly	6-6.....	6-12

Numerical List of Parts Breakdowns

<u>Figure No.</u>	<u>Title</u>	<u>Page No.</u>
2-1	Basic Assembly	2-2
2-2	Basic Assembly	2-4
2-3	Final Assembly	2-6
2-4	Final Assembly	2-8
2-5	Chassis Assembly – Engine	2-10
2-6	Chassis Assembly – Engine	2-17
2-7	Chassis Assembly – Axles	2-24
2-8	Chassis Assembly – Axles	2-29
2-9	Chassis Assembly – Covers & Console	2-35
2-10	Chassis Assembly – Covers & Console	2-40
3-1	Decals and Load Charts	3-2
4-1	Engine Transmission Assembly	4-2
4-2	Radiator Assembly	4-8
4-3	Overflow Tank Assembly	4-11
4-4	Air Cleaner Assembly	4-13
4-5	Fuel Tank Assembly	4-15
5-1	Transmission and Pump Assembly	5-2
5-2	Dipstick Tube Assembly	5-5
5-3	Front Axle Assembly	5-7
5-4	Front Axle Assembly	5-9
5-5	Rear Axle Assembly	5-11
5-6	Rear Axle Assembly	5-13
5-7	Driveshaft Assembly	5-15
6-1	Steering Column Assembly	6-2
6-2	Brake Valve Assembly	6-4
6-3	Accumulator Assembly	6-6
6-4	Accumulator Charge Valve Assembly	6-8
6-5	Brake Pressure Switch Assembly	6-10
6-6	Wheel Tire Assembly	6-12
7-1	Hydraulic Tank Assembly	7-2
7-2	Hydraulic Tank Assembly	7-4
7-3	Hydraulic Tank Assembly	7-6

Numerical List of Parts Breakdowns – Cont.

<u>Figure No.</u>	<u>Title</u>	<u>Page No.</u>
7-4	Hydraulic Tank Assembly	7-8
7-5	High-Pressure Filter/Steering Valve Assembly	7-10
7-6	High-Pressure Filter/Steering Valve Assembly	7-12
7-7	Distribution Manifold Assembly	7-14
7-8	Distribution Manifold Assembly	7-17
7-9	Isolation Manifold Assembly	7-20
7-10	Isolation Manifold Assembly	7-23
7-11	Isolation Manifold Assembly	7-26
7-12	Boom Manifold Assembly	7-29
7-13	Boom Manifold Assembly	7-31
7-14	Operator Control Valve Assembly	7-33
7-15	Operator Control Valve Assembly	7-35
7-16	Front Handle Assembly	7-37
7-17	Front Handle Assembly	7-39
7-18	Sway Valve Handle Assembly	7-41
7-19	Sway Valve Handle Assembly	7-43
7-20	Rear Handle Assembly	7-45
7-21	Master Cylinder Assembly	7-47
7-22	Lift Cylinder Assembly	7-49
7-23	Lift Cylinder Assembly	7-51
7-24	Extend Cylinder Assembly	7-53
7-25	Extend Cylinder Assembly	7-55
7-26	Cylinder Collar Assembly	7-57
7-27	Cylinder Collar Assembly	7-59
7-28	Extend Cylinder Housing Assembly	7-61
7-29	Extend Cylinder Housing Assembly	7-63
7-30	Extend Cylinder Support Assembly	7-65
7-31	Extend Cylinder Pin Assembly	7-67
7-32	Carriage Tilt Cylinder Assembly	7-69
7-33	Tilt Cylinder Subassembly	7-71
7-34	Rotate Cylinder Assembly	7-73
7-35	Rotate Cylinder Assembly	7-75
7-36	Rotate Cylinder Subassembly	7-77
7-37	Front Axle Cylinder Assembly	7-79
7-38	Rear Axle Cylinder Assembly	7-81
7-39	Rear Axle Lock Manifold Assembly	7-83

Numerical List of Parts Breakdowns – Cont.

<u>Figure No.</u>	<u>Title</u>	<u>Page No.</u>
7-40	Boom Hose Kit.....	7-85
7-41	Chassis Hose Kit	7-87
7-42	Chassis Hose Kit	7-92
8-1	Electrical Assembly	8-2
8-2	Electrical Assembly	8-5
8-3	Electrical Center Assembly.....	8-8
8-4	Terminal Strip Assembly.....	8-10
8-5	Terminal Strip Assembly.....	8-12
8-6	Terminal Strip Assembly.....	8-14
8-7	Engine Relay Assembly.....	8-16
8-8	Battery Disconnect Switch Assembly	8-18
8-9	Fuse Block Assembly	8-20
8-10	Solenoid Assembly	8-22
8-11	Solenoid Assembly	8-24
9-1	Boom Assembly.....	9-2
9-2	Boom Assembly.....	9-7
9-3	Outer Boom Assembly.....	9-13
9-4	Outer Boom Assembly.....	9-17
9-5	Mid Boom Assembly	9-20
9-6	Mid Boom Assembly.....	9-26
9-7	Inner Boom Assembly	9-32
9-8	Inner Boom Assembly	9-35
9-9	Inner Boom Subassembly	9-38
9-10	Inner Boom Subassembly	9-41
9-11	Inner Boom Subassembly	9-44
9-12	Inner Boom Subassembly	9-46
9-13	Angle Indicator Assembly.....	9-48
9-14	Adapter Assembly	9-50
9-15	Adapter Assembly	9-52
9-16	Slide Block Assembly	9-54
9-17	Outer Boom Roller Assembly	9-56
9-18	Outer Boom Roller Assembly	9-58
9-19	Mid Boom Roller Assembly	9-60
9-20	Roller Assembly.....	9-62
9-21	Roller Assembly.....	9-64

Numerical List of Parts Breakdowns – Cont.

<u>Figure No.</u>	<u>Title</u>	<u>Page No.</u>
9-22	Roller Assembly.....	9-66
9-23	Chain Sheave Assembly	9-68
9-24	Chain Sheave Assembly	9-70
9-25	Belleville Spring Stack	9-72
9-26	Tube Clamp Assembly No. 2.....	9-74
9-27	Hose Clamp Assembly	9-76
10-1	Cab Assembly.....	10-2
10-2	Front Control Console Assembly.....	10-9
10-3	Front Control Console Assembly.....	10-12
10-4	Front Control Panel Assembly.....	10-15
10-5	Front Control Panel Assembly.....	10-18
10-6	Control Enclosure Subassembly	10-21
10-7	Side Control Console Assembly.....	10-24
10-8	Side Control Console Assembly.....	10-28
10-9	Side Control Console Assembly.....	10-32
10-10	Side Console Cover Assembly.....	10-36
10-11	Side Console Cover Assembly.....	10-38
10-12	Side Console Subassembly.....	10-40
10-13	Side Console Subassembly.....	10-42
10-14	Front Boot Assembly	10-44
10-15	Rear Boot Assembly.....	10-46
10-16	Accelerator Pedal Assembly.....	10-48
10-17	Front Cover Assembly	10-50
10-18	Engine Cover Assembly	10-52
10-19	Radiator Cover Assembly.....	10-56
10-20	Battery Cover Assembly.....	10-58
10-21	Rear Light Assembly	10-60
10-22	Radiator Shroud Assembly.....	10-62
10-23	Filler Plate Assembly.....	10-64
10-24	Console Roller Assembly	10-66
11-1	Standard Carriage Assembly.....	11-2
11-2	Optional Carriage Assembly.....	11-4
11-3	Rotate Carriage Assembly.....	11-6
11-4	Carriage Post Assembly	11-8
11-5	Carriage Pin Assembly	11-10

Numerical List of Parts Breakdowns – Cont.

<u>Figure No.</u>	<u>Title</u>	<u>Page No.</u>
11-6	Carriage Pin Assembly	11-12

Section 1

General Information

Table 1-1. Abbreviations & Acronyms

<u>Term</u>	<u>Meaning</u>
A	Amperes
ASTM	American Society for Testing and Materials
AWG	American Wire Gauge
BHC	Button head cap
BKDN	Breakdown
DIA	Diameter
DPDT	Double-pole, double-throw
FSHC	Flat socket head cap
FTG	Fittings
HHC	Hex head cap
ID	Inside diameter
LG	Long
MM	Millimeter
NHA	Next higher assembly
NPT	National pipe thread
OD	Outside diameter
OHM	Oval head machine
PHM	Pan head machine
PWH	Pan washer head
QD	Quick-Disconnect
REF	Reference
REG	Regular
SAE	Society of Automotive Engineers
SBHC	Socket button head cap
SHC	Socket head cap
SHS	Socket head shoulder

<u>Term</u>	<u>Meaning</u>
SPDT	Single-throw, double-pole
SPST	Single-pole, single-throw
STR	Straight
THD	Thread
UNC	Unified National Coarse
UNF	Unified National Fine
V	Volts

Section 2

Chassis

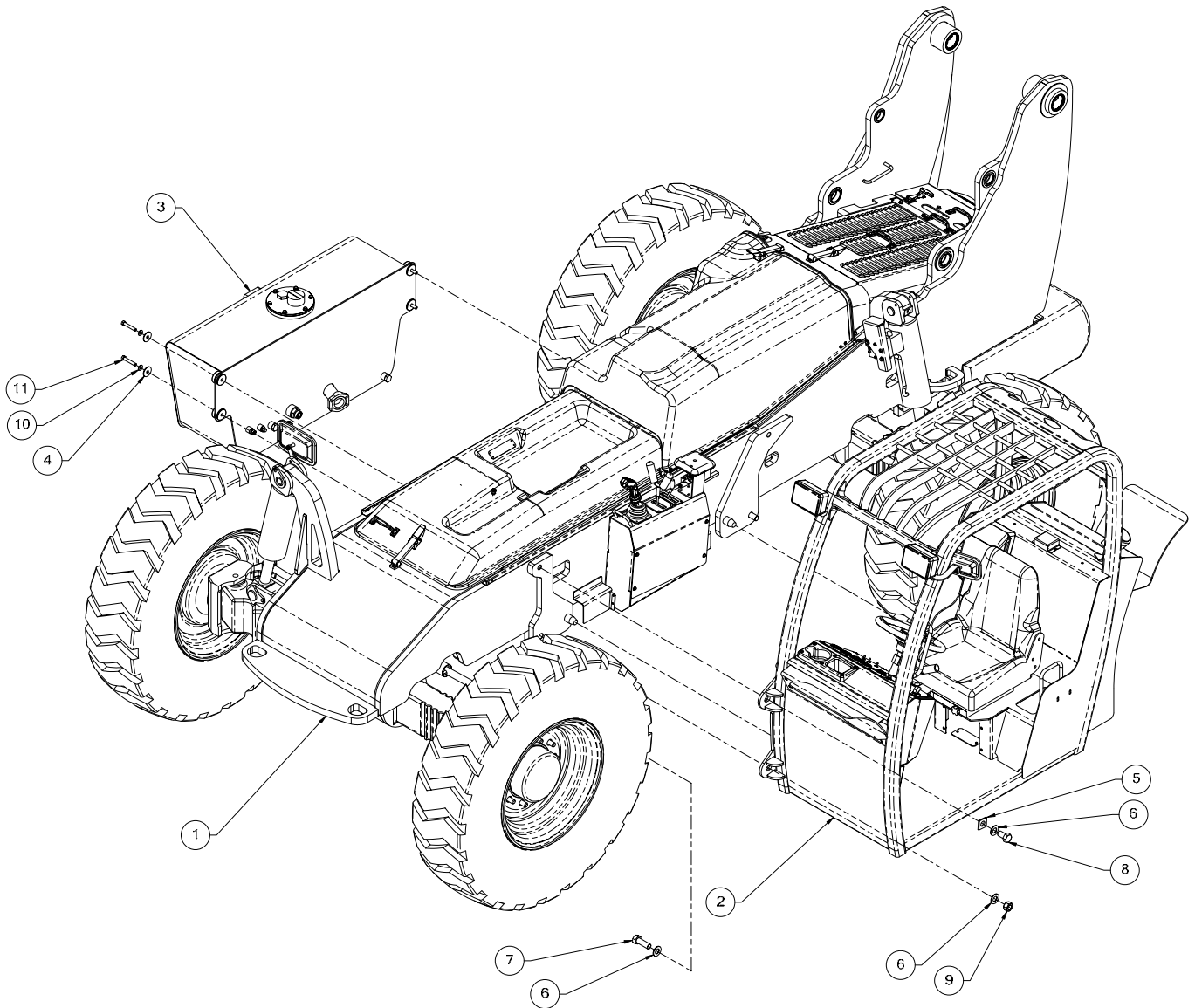


Figure 2-1. Basic Assembly (Current)