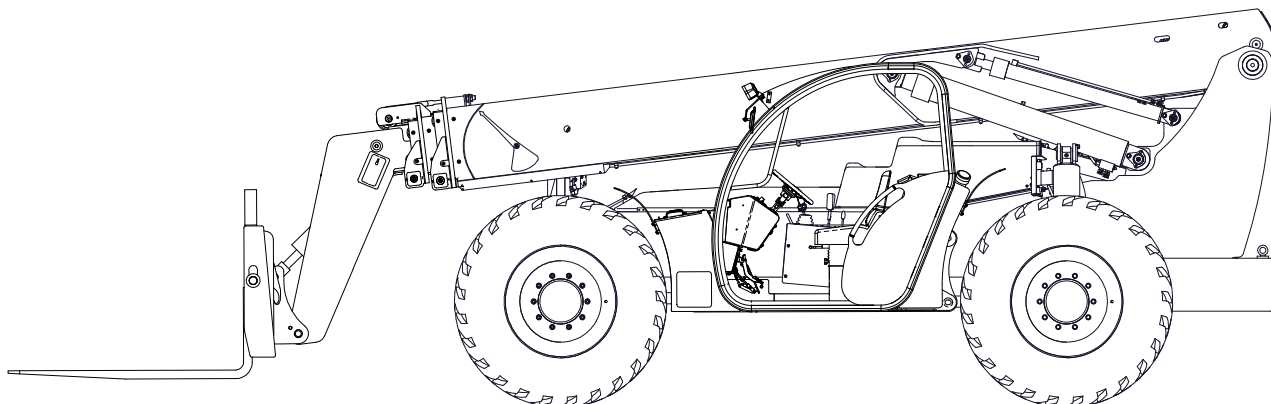




Illustrated Parts Breakdown Manual

Forward Reach Forklift Model XR842 (Tier III)



Xtreme Manufacturing
1415 West Bonanza Road
Las Vegas, NV 89106
(702) 858-2404
www.xtrememanufacturing.com

Copyright © 2008 By Xtreme Manufacturing

List of Effective Pages

This manual consists of 377 pages as listed below:

- Outside title page
- Inside title page
- Pages A through D
- Pages i through x
- Pages 1-1 through 1-2
- Pages 2-1 through 2-24
- Pages 3-1 through 3-22
- Pages 4-1 through 4-14
- Pages 5-1 through 5-12
- Pages 6-1 through 6-12
- Pages 7-1 through 7-56
- Pages 8-1 through 8-22
- Pages 9-1 through 9-48
- Pages 10-1 through 10-46
- Pages 11-1 through 11-12
- Index 1 through Index 1-90
- Warranty 1 through Warranty 2
- Inside back cover
- Outside back cover

THIS PAGE INTENTIONALLY LEFT BLANK

Table of Contents

<u>Chap./Par.</u>	<u>Title</u>	<u>Page</u>
	List of Effective Pages	A
	Service Bulletins	B
	Design Change Notices	C
	Alphabetical List of Parts Breakdowns	ii
	Numerical List of Parts Breakdowns	v
	Section 1 – General Information	1-1
	Section 2 – Chassis	2-1
	Section 3 – Labels and Load Charts	3-1
	Section 4 – Engine	4-1
	Section 5 – Transmission, Axles, and Driveshafts	5-1
	Section 6 – Steering, Brakes, Wheels, and Tires	6-1
	Section 7 – Hydraulic System	7-1
	Section 8 – Electrical System	8-1
	Section 9 – Boom	9-1
	Section 10 – Cab and Consoles	10-1
	Section 11 – Boom Attachments	11-1
	Numerical and Alphabetical Indexes	Index 1

Alphabetical List of Parts Breakdowns

<u>Title</u>	<u>Figure No.</u>	<u>Page No.</u>
Accelerator Pedal Assembly	10-9.....	10-26
Accumulator Assembly.....	6-3.....	6-6
Accumulator Charge Valve Assembly.....	6-4.....	6-8
Adapter Assembly	9-8.....	9-26
Air Cleaner Assembly.....	4-3.....	4-9
Angle Indicator Assembly.....	9-7.....	9-24
Axle Cylinder Subassembly	7-23.....	7-48
Basic Assembly	2-1.....	2-2
Battery Cover Assembly.....	10-13.....	10-36
Battery Disconnect Switch Assembly.....	8-7.....	8-16
Belleville Spring Stack.....	9-16.....	9-42
Boom Assembly	9-1.....	9-2
Boom Hose Kit	7-24.....	7-50
Boom Manifold Assembly.....	7-6.....	7-14
Brake Valve Assembly	6-2.....	6-4
Cab Assembly	10-1.....	10-2
Carriage Pin Assembly.....	11-5.....	11-10
Carriage Post Assembly.....	11-4.....	11-8
Carriage Tilt Cylinder Assembly.....	7-18.....	7-38
Carriage Tilt Cylinder Subassembly.....	7-19.....	7-40
Chain Sheave Assembly	9-14.....	9-38
Chain Sheave Assembly	9-15.....	9-40
Chassis Assembly – Axles.....	2-4.....	2-13
Chassis Assembly – Covers & Console.....	2-5.....	2-19
Chassis Assembly – Engine.....	2-3.....	2-6
Chassis Hose Kit.....	7-25.....	7-52
Console Roller Assembly	10-17.....	10-44
Control Enclosure Subassembly.....	10-5.....	10-17
Cylinder Collar Assembly	7-14.....	7-30
Distribution Manifold Assembly.....	7-4.....	7-8
Electrical Assembly	8-1.....	8-2
Electrical Center Assembly	8-2.....	8-6
Enclosed Cab Assembly	10-2.....	10-8

Alphabetical List of Parts Breakdowns – Cont.

<u>Title</u>	<u>Figure No.</u>	<u>Page No.</u>
Engine Cover Assembly.....	10-11.....	10-31
Engine Relay Assembly	8-6.....	8-14
Engine Transmission Assembly.....	4-1.....	4-2
Extend Cylinder Assembly	7-13.....	7-28
Extend Cylinder Housing Assembly.....	7-15.....	7-32
Extend Cylinder Pin Assembly.....	7-17.....	7-36
Extend Cylinder Support Assembly	7-16.....	7-34
Filler Plate Assembly.....	10-16.....	10-42
Final Assembly	2-2.....	2-4
Front Axle Assembly	5-2.....	5-4
Front Axle Cylinder Assembly.....	7-20.....	7-42
Front Control Console Assembly	10-3.....	10-12
Front Control Panel Assembly	10-4.....	10-14
Front Cover Assembly.....	10-10.....	10-28
Front Driveshaft Assembly.....	5-4.....	5-8
Front Handle Assembly.....	7-8.....	7-18
Fuel Tank Assembly.....	4-5.....	4-13
Fuse Block Assembly.....	8-8.....	8-18
High-Pressure Filter / Steering Valve Assembly ...	7-3.....	7-6
Hose Clamp Assembly.....	9-18.....	9-46
Hydraulic Tank Assembly.....	7-1.....	7-2
Hydraulic Tank Lid Assembly.....	7-2.....	7-4
Inner Boom Assembly	9-4.....	9-16
Inner Boom Subassembly.....	9-5.....	9-19
Inner Boom Subassembly.....	9-6.....	9-22
Isolation Manifold Assembly.....	7-5.....	7-11
Labels and Load Charts	3-1.....	3-2
Lift Cylinder Assembly.....	7-12.....	7-26
Master Cylinder Assembly	7-11.....	7-24
Mid Boom Assembly	9-3.....	9-10
Mid Boom Roller Assembly.....	9-11.....	9-32
Operator Control Valve Assembly.....	7-7.....	7-16
Optional Carriage Assembly	11-2.....	11-4
Overflow Tank Assembly	4-4.....	4-11

Alphabetical List of Parts Breakdowns – Cont.

<u>Title</u>	<u>Figure No.</u>	<u>Page No.</u>
Outer Boom Assembly	9-2.....	9-7
Outer Boom Roller Assembly.....	9-10.....	9-30
Radiator Assembly	4-2.....	4-7
Radiator Cover Assembly	10-12.....	10-34
Radiator Shroud Assembly	10-15.....	10-40
Rear Axle Assembly.....	5-3.....	5-6
Rear Axle Cylinder Assembly.....	7-21.....	7-44
Rear Axle Lock Manifold Assembly	7-22.....	7-46
Rear Driveshaft Assembly.....	5-5.....	5-10
Rear Handle Assembly	7-10.....	7-22
Rear Light Assembly	10-14.....	10-38
Roller Assembly	9-12.....	9-34
Roller Assembly	9-13.....	9-36
Rotate Carriage Assembly	11-3.....	11-6
Side Console Cover Assembly	10-7.....	10-22
Side Console Subassembly	10-8.....	10-24
Side Control Console Assembly	10-6.....	10-19
Slide Block Assembly.....	9-9.....	9-28
Solenoid Assembly.....	8-9.....	8-20
Standard Carriage Assembly	11-1.....	11-2
Steering Column Assembly.....	6-1.....	6-2
Sway Handle Assembly	7-9.....	7-20
Terminal Strip Assembly	8-3.....	8-8
Terminal Strip Assembly	8-4.....	8-10
Terminal Strip Assembly	8-5.....	8-12
Transmission and Pump Assembly.....	5-1.....	5-2
Tube Clamp Assembly No. 2	9-17.....	9-44
Wheel Tire Assembly	6-5.....	6-10

Numerical List of Parts Breakdowns

<u>Figure No.</u>	<u>Title</u>	<u>Page No.</u>
2-1	Basic Assembly	2-2
2-2	Final Assembly	2-4
2-3	Chassis Assembly – Engine	2-6
2-4	Chassis Assembly – Axles	2-13
2-5	Chassis Assembly – Covers & Console	2-19
3-1	Labels and Load Charts	3-2
4-1	Engine Transmission Assembly	4-2
4-2	Radiator Assembly	4-7
4-3	Air Cleaner Assembly	4-9
4-4	Overflow Tank Assembly	4-11
4-5	Fuel Tank Assembly	4-13
5-1	Transmission and Pump Assembly	5-2
5-2	Front Axle Assembly	5-4
5-3	Rear Axle Assembly	5-6
5-4	Front Driveshaft Assembly	5-8
5-5	Rear Driveshaft Assembly	5-10
6-1	Steering Column Assembly	6-2
6-2	Brake Valve Assembly	6-4
6-3	Accumulator Assembly	6-6
6-4	Accumulator Charge Valve Assembly	6-8
6-5	Wheel Tire Assembly	6-10
7-1	Hydraulic Tank Assembly	7-2
7-2	Hydraulic Tank Lid Assembly	7-4
7-3	High-Pressure Filter / Steering Valve Assembly	7-6
7-4	Distribution Manifold Assembly	7-8
7-5	Isolation Manifold Assembly	7-11
7-6	Boom Manifold Assembly	7-14
7-7	Operator Control Valve Assembly	7-16
7-8	Front Handle Assembly	7-18
7-9	Sway Handle Assembly	7-20
7-10	Rear Handle Assembly	7-22
7-11	Master Cylinder Assembly	7-24

Numerical List of Parts Breakdowns – Cont.

<u>Figure No.</u>	<u>Title</u>	<u>Page No.</u>
7-12	Lift Cylinder Assembly	7-26
7-13	Extend Cylinder Assembly	7-28
7-14	Cylinder Collar Assembly	7-30
7-15	Extend Cylinder Housing Assembly	7-32
7-16	Extend Cylinder Support Assembly	7-34
7-17	Extend Cylinder Pin Assembly	7-36
7-18	Carriage Tilt Cylinder Assembly	7-38
7-19	Carriage Tilt Cylinder Subassembly	7-40
7-20	Front Axle Cylinder Assembly	7-42
7-21	Rear Axle Cylinder Assembly	7-44
7-22	Rear Axle Lock Manifold Assembly	7-46
7-23	Axle Cylinder Subassembly	7-48
7-24	Boom Hose Kit	7-50
7-25	Chassis Hose Kit	7-52
8-1	Electrical Assembly	8-2
8-2	Electrical Center Assembly	8-6
8-3	Terminal Strip Assembly	8-8
8-4	Terminal Strip Assembly	8-10
8-5	Terminal Strip Assembly	8-12
8-6	Engine Relay Assembly	8-14
8-7	Battery Disconnect Switch Assembly	8-16
8-8	Fuse Block Assembly	8-18
8-9	Solenoid Assembly	8-20
9-1	Boom Assembly	9-2
9-2	Outer Boom Assembly	9-7
9-3	Mid Boom Assembly	9-10
9-4	Inner Boom Assembly	9-16
9-5	Inner Boom Subassembly	9-19
9-6	Inner Boom Subassembly	9-22
9-7	Angle Indicator Assembly	9-24
9-8	Adapter Assembly	9-26
9-9	Slide Block Assembly	9-28
9-10	Outer Boom Roller Assembly	9-30
9-11	Mid Boom Roller Assembly	9-32
9-12	Roller Assembly	9-34

Numerical List of Parts Breakdowns – Cont.

<u>Figure No.</u>	<u>Title</u>	<u>Page No.</u>
9-13	Roller Assembly.....	9-36
9-14	Chain Sheave Assembly	9-38
9-15	Chain Sheave Assembly	9-40
9-16	Belleville Spring Stack.....	9-42
9-17	Tube Clamp Assembly No. 2.....	9-44
9-18	Hose Clamp Assembly	9-46
10-1	Cab Assembly.....	10-2
10-2	Enclosed Cab Assembly.....	10-8
10-3	Front Control Console Assembly.....	10-12
10-4	Front Control Panel Assembly.....	10-14
10-5	Control Enclosure Subassembly	10-17
10-6	Side Control Console Assembly.....	10-19
10-7	Side Console Cover Assembly.....	10-22
10-8	Side Console Subassembly.....	10-24
10-9	Accelerator Pedal Assembly.....	10-26
10-10	Front Cover Assembly.....	10-28
10-11	Engine Cover Assembly	10-31
10-12	Radiator Cover Assembly.....	10-34
10-13	Battery Cover Assembly.....	10-36
10-14	Rear Light Assembly	10-38
10-15	Radiator Shroud Assembly.....	10-40
10-16	Filler Plate Assembly.....	10-42
10-17	Console Roller Assembly	10-44
11-1	Standard Carriage Assembly.....	11-2
11-2	Optional Carriage Assembly.....	11-4
11-3	Rotate Carriage Assembly.....	11-6
11-4	Carriage Post Assembly.....	11-8
11-5	Carriage Pin Assembly.....	11-10

THIS PAGE INTENTIONALLY LEFT BLANK

Section 1

General Information

Table 1-1. Abbreviations & Acronyms

<u>Term</u>	<u>Meaning</u>
A	Amperes
ASTM	American Society for Testing and Materials
AWG	American Wire Gauge
BHC	Button head cap
BKDN	Breakdown
DIA	Diameter
DPDT	Double-pole, double-throw
FSHC	Flat socket head cap
FTG	Fittings
HHC	Hex head cap
ID	Inside diameter
LG	Long
MM	Millimeter
NHA	Next higher assembly
NPT	National pipe thread
OD	Outside diameter
OHM	Oval head machine
PHM	Pan head machine
PWH	Pan washer head
QD	Quick-Disconnect
REF	Reference
REG	Regular
SAE	Society of Automotive Engineers
SBHC	Socket button head cap
SHC	Socket head cap
SHS	Socket head shoulder

<u>Term</u>	<u>Meaning</u>
SPDT	Single-throw, double-pole
SPST	Single-pole, single-throw
STR	Straight
THD	Thread
UNC	Unified National Coarse
UNF	Unified National Fine
V	Volts

Section 2

Chassis

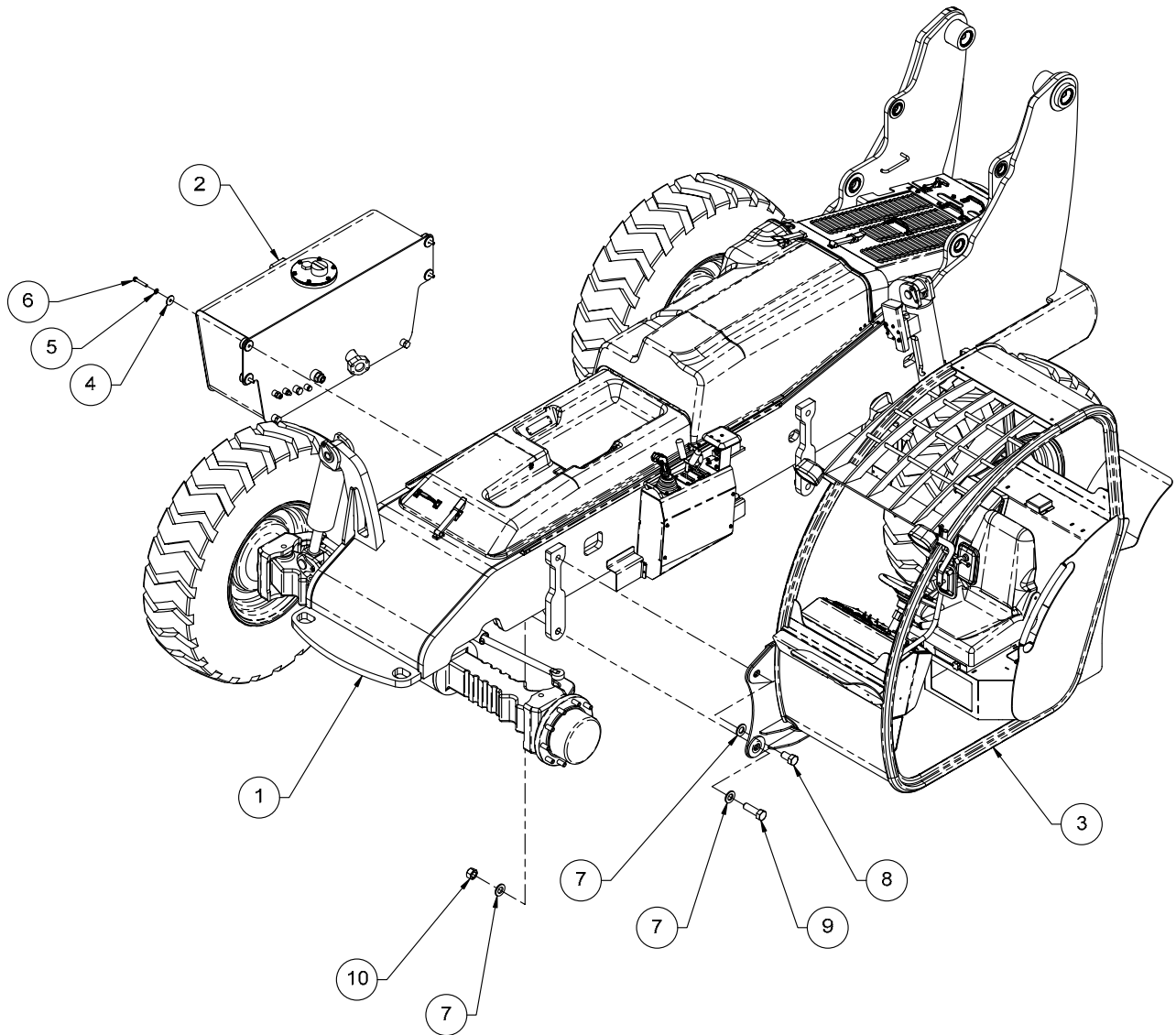


Figure 2-1. Basic Assembly

Table 2-1. Basic Assembly

Figure & Item No.	Part No.	Description	Quantity	Use On
–	26713-010	Basic assembly	–	–
2-1-1	26712-010	Chassis assembly – covers	1	–
2-1-2	26641-002	Hydraulic tank assembly	1	–
2-1-3	27400-000	Cab assembly	1	–
2-1-4	25383-000	Pin retainer plate	4	–
2-1-5	11001-008	Washer 1/2 SAE flat	4	–
2-1-6	10004-024	Screw 1/2-13UNC HHC x 3"	4	–
2-1-7	11002-020	Extra thick grade 8 SAE washer	6	–
2-1-8	10031-018	Screw 1-1/4-12UNF HHC x 2-1/4"	2	–
2-1-9	10031-032	Screw 1-1/4-12UNF HHC x 4"	2	–
2-1-10	10901-020	Nut 1-1/4-12UNF reg hex	2	–

Refer to Section 1 for the definition of acronyms and abbreviations used in the Description Column.

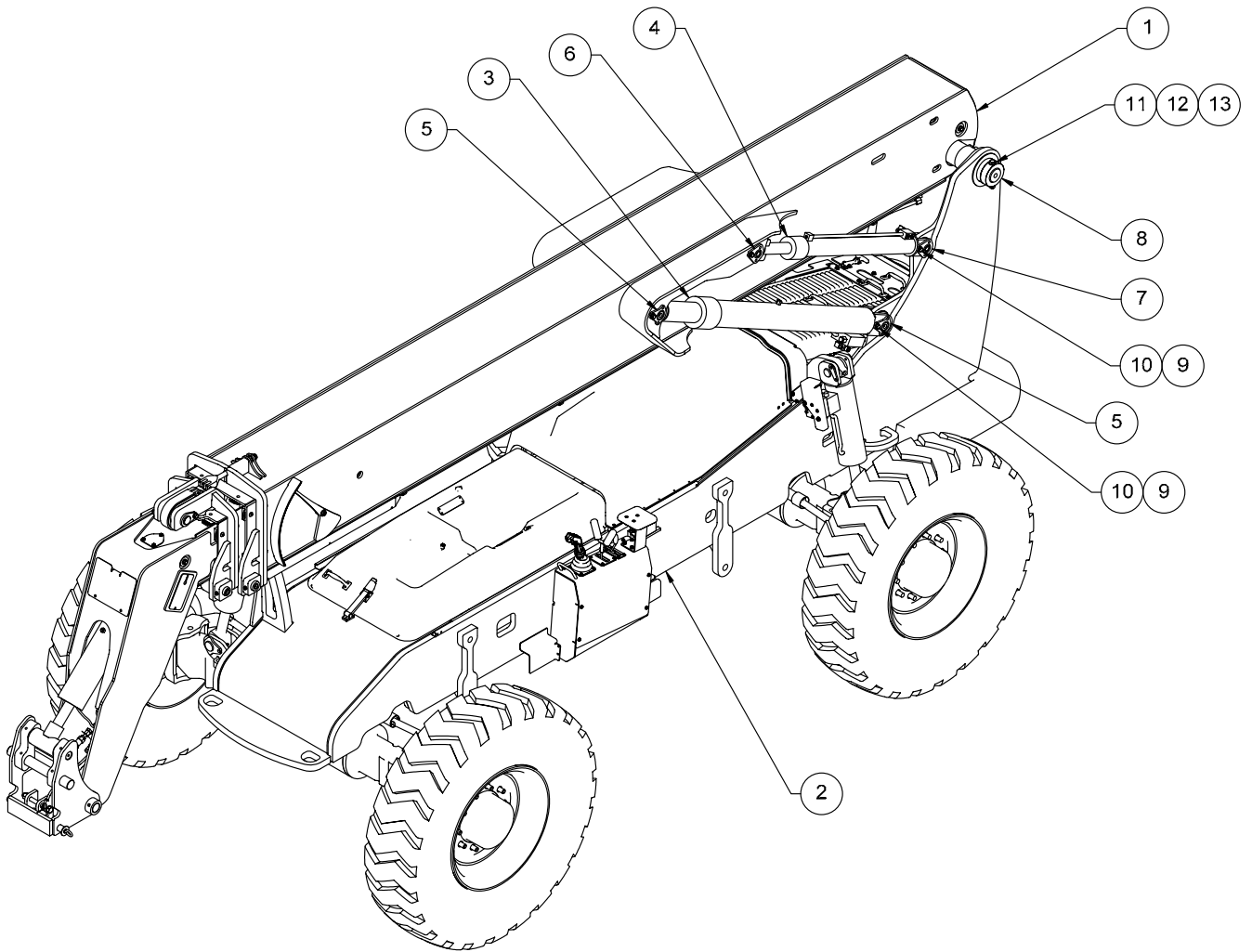


Figure 2-2. Final Assembly

Table 2-2. Final Assembly

Figure & Item No.	Part No.	Description	Quantity	Use On
–	27080-010	Final assembly	–	–
2-2-1	26700-000	Boom assembly	1	–
2-2-2	26712-010	Chassis assembly – covers	1	–
2-2-3	26556-000	Lift cylinder assembly	2	–
2-2-4	26322-000	Master cylinder assembly	2	–
2-2-5	27076-000	Lift cylinder pin assembly	4	–
2-2-6	27062-000	Master cylinder pin assembly	2	–
2-2-7	27064-000	Master cylinder pin assembly	2	–
2-2-8	25625-000	Shaft collar	2	–
2-2-9	11002-008	Extra thick grade 8 SAE washer	8	–
2-2-10	10004-010	Screw 1/2-13UNC HHC x 1-1/4"	8	–
2-2-11	11001-010	Washer 5/8 SAE flat	4	–
2-2-12	10006-048	Screw 5/8-11UNC HHC x 6"	2	–
2-2-13	10900-010	Nut 5/8-11UNC reg hex	2	–

Refer to Section 1 for the definition of acronyms and abbreviations used in the Description Column.