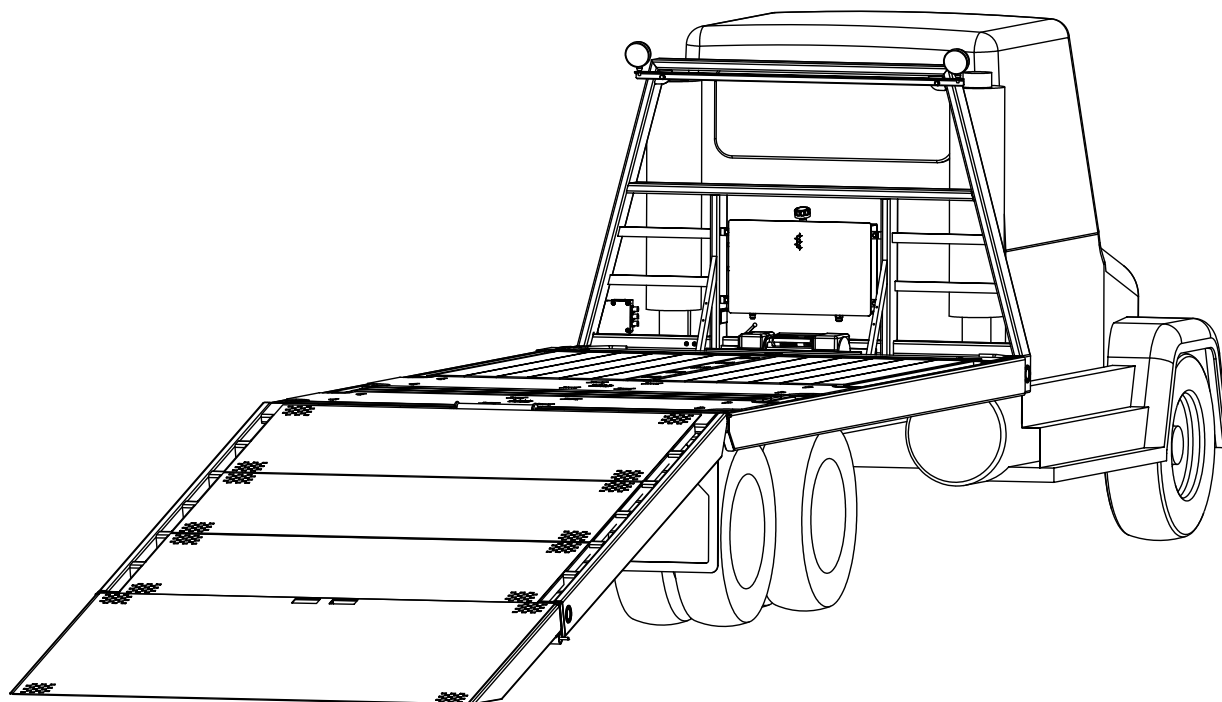




Illustrated Parts Breakdown Manual

EZ LOADER

Model EZ24 (Pre-06/07)



Xtreme Manufacturing
1415 West Bonanza Road
Las Vegas, NV 89106
(702) 858-2404
www.xtrememanufacturing.com

Copyright © 2008 By Xtreme Manufacturing

List of Effective Pages

This manual consists of 86 pages as listed below:

- Outside title page
- Inside title page
- Pages A through D
- Pages i through iv
- Pages 1-1 through 1-2
- Pages 2-1 through 2-22
- Pages 3-1 through 3-8
- Pages 4-1 through 4-14
- Pages 5-1 through 5-10
- Index 1 through Index 1-16
- Warranty 1 through Warranty 2
- Inside back cover
- Outside back cover

Service Bulletins

The following service bulletins have been incorporated in this manual:

Title	Bulletin No.	Comments

Design Change Notices

The following design change notices have been incorporated in this manual:

Title	Design Change Notice No.	Comments

THIS PAGE INTENTIONALLY LEFT BLANK

Table of Contents

<u>Chap./Par.</u>	<u>Title</u>	<u>Page</u>
	List of Effective Pages	A
	Service Bulletins	B
	Design Change Notices	C
	Alphabetical List of Parts Breakdowns	ii
	Numerical List of Parts Breakdowns	v
	Section 1 – General Information	1-1
	Section 2 – Chassis	2-1
	Section 3 – Decals.....	3-1
	Section 4 – Hydraulic System	4-1
	Section 5 – Electrical System	5-1
	Numerical and Alphabetical Indexes	Index 1

Alphabetical List of Parts Breakdowns

<u>Title</u>	<u>Figure No.</u>	<u>Page No.</u>
Backup Light Assembly.....	5-2.....	5-4
Check Valve Assembly	4-5.....	4-10
Control Valve Assembly	4-3.....	4-6
Decals	3-1.....	3-2
Dove and Flip Tail Assembly.....	2-5.....	2-15
Final Bed Assembly	2-1.....	2-2
Hose and Fitting Kit.....	4-6.....	4-12
Hydraulic Filter Assembly.....	4-2.....	4-4
Hydraulic Tank Assembly.....	4-1.....	4-2
Junction Assembly	4-4.....	4-8
Main Bed Assembly	2-2.....	2-8
Marker Lamp Assembly, Red.....	5-3.....	5-6
Marker Lamp Assembly, Yellow.....	5-4.....	5-8
Tail Idler Assembly.....	2-6.....	2-20
Tail Light Assembly	5-1.....	5-2
Toolbox Assembly.....	2-4.....	2-13
Winch Assembly.....	2-3.....	2-11

Numerical List of Parts Breakdowns

<u>Figure No.</u>	<u>Title</u>	<u>Page No.</u>
2-1	Final Bed Assembly	2-2
2-2	Main Bed Assembly	2-8
2-3	Winch Assembly	2-11
2-4	Toolbox Assembly	2-13
2-5	Dove and Flip Tail Assembly	2-15
2-6	Tail Idler Assembly	2-20
3-1	Decals	3-2
4-1	Hydraulic Tank Assembly	4-2
4-2	Hydraulic Filter Assembly	4-4
4-3	Control Valve Assembly	4-6
4-4	Junction Assembly	4-8
4-5	Check Valve Assembly	4-10
4-6	Hose and Fitting Kit	4-12
5-1	Tail Light Assembly	5-2
5-2	Backup Light Assembly	5-4
5-3	Marker Lamp Assembly, Red	5-5
5-4	Marker Lamp Assembly, Yellow	5-8