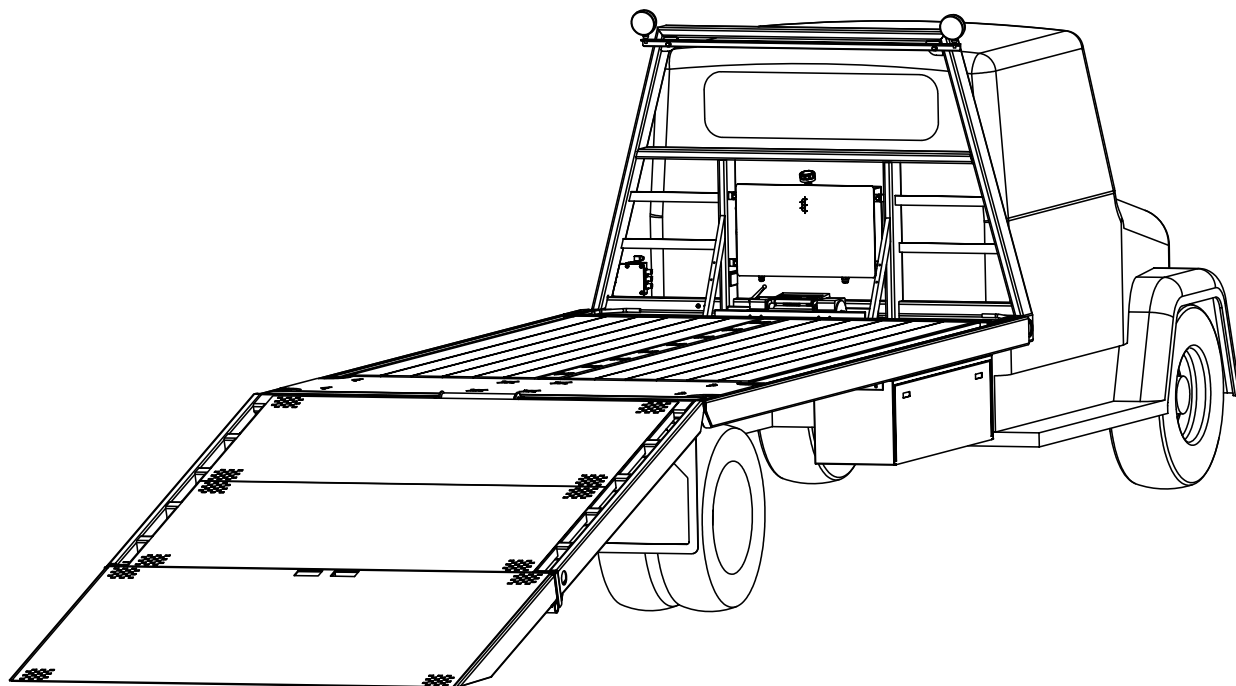




Illustrated Parts Breakdown Manual

EZ LOADER

Model EZ18 (Pre-06/07)



Xtreme Manufacturing
1415 West Bonanza Road
Las Vegas, NV 89106
(702) 858-2404
www.xtrememanufacturing.com

Copyright © 2007 By Xtreme Manufacturing

List of Effective Pages

This manual consists of 70 pages as listed below:

- Outside title page
- Inside title page
- Pages A through D
- Pages i through iv
- Pages 1-1 through 1-2
- Pages 2-1 through 2-10
- Pages 3-1 through 3-8
- Pages 4-1 through 4-14
- Pages 5-1 through 5-10
- Index 1 through Index 12
- Contact page
- Warranty 1 through Warranty 2
- Back cover

Design Change Notices

The following design change notices have been incorporated in this manual:

| Title | Design Change Notice No. | Comments |
|--------------|---------------------------------|-----------------|
| | | |
| | | |
| | | |
| | | |
| | | |
| | | |
| | | |
| | | |
| | | |
| | | |
| | | |
| | | |
| | | |
| | | |
| | | |
| | | |
| | | |
| | | |
| | | |
| | | |

THIS PAGE INTENTIONALLY LEFT BLANK

Table of Contents

| <u>Chap./Par.</u> | <u>Title</u> | <u>Page</u> |
|-------------------|---|-------------|
| | List of Effective Pages | A |
| | Service Bulletins | B |
| | Design Change Notices | C |
| | Alphabetical List of Parts Breakdowns | ii |
| | Numerical List of Parts Breakdowns | v |
| | Section 1 – General Information | 1-1 |
| | Section 2 – Chassis | 2-1 |
| | Section 3 – Decals..... | 3-1 |
| | Section 4 – Hydraulic System | 4-1 |
| | Section 5 – Electrical System | 5-1 |
| | Numerical and Alphabetical Indexes | Index 1 |