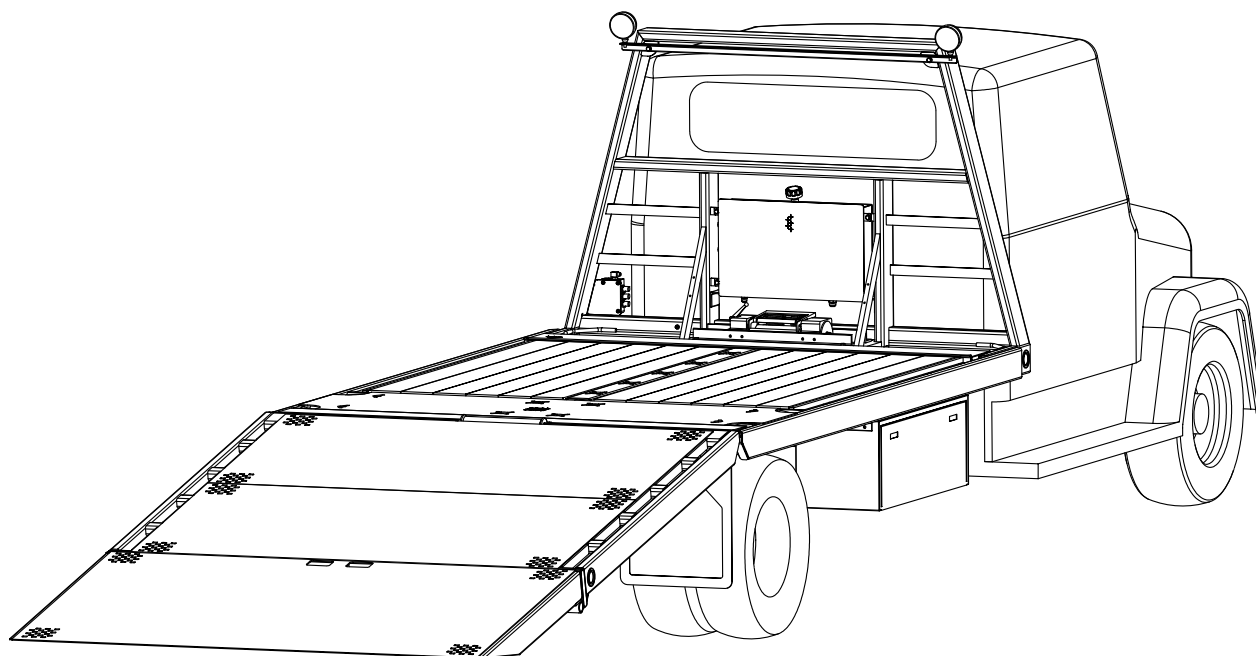




Illustrated Parts Breakdown Manual

EZ LOADER

Model EZ12



Xtreme Manufacturing
1415 West Bonanza Road
Las Vegas, NV 89106
(702) 858-2404
www.xtrememanufacturing.com

Copyright © 2007 By Xtreme Manufacturing

List of Effective Pages

This manual consists of 94 pages as listed below:

- Outside title page
- Inside title page
- Pages A through D
- Pages i through iv
- Pages 1-1 through 1-2
- Pages 2-1 through 2-36
- Pages 3-1 through 3-8
- Pages 4-1 through 4-14
- Pages 5-1 through 5-10
- Index 1-1 through Index 1-20
- Warranty 1 through Warranty 2
- Inside back cover
- Outside back cover

Service Bulletins

The following service bulletins have been incorporated in this manual:

Title	Bulletin No.	Comments

Design Change Notices

The following design change notices have been incorporated in this manual:

Title	Design Change Notice No.	Comments

THIS PAGE INTENTIONALLY LEFT BLANK

Table of Contents

<u>Chap./Par.</u>	<u>Title</u>	<u>Page</u>
	List of Effective Pages	A
	Service Bulletins	B
	Design Change Notices	C
	Alphabetical List of Parts Breakdowns	ii
	Numerical List of Parts Breakdowns	v
	Section 1 – General Information	1-1
	Section 2 – Chassis	2-1
	Section 3 – Decals.....	3-1
	Section 4 – Hydraulic System	4-1
	Section 5 – Electrical System	5-1
	Numerical and Alphabetical Indexes	Index 1

Alphabetical List of Parts Breakdowns

<u>Title</u>	<u>Figure No.</u>	<u>Page No.</u>
Backup Light Assembly.....	5-2.....	5-4
Cable Roller Assembly.....	2-13.....	2-35
Check Valve Assembly.....	4-5.....	4-10
Control Valve Assembly.....	4-3.....	4-6
Cylinder Linkage Assembly.....	2-10.....	2-29
Decals.....	3-1.....	3-2
Dove Tail Assembly.....	2-5.....	2-17
Dove Tail Linkage Assembly.....	2-7.....	2-22
Dove Tail Support Assembly.....	2-6.....	2-20
Final Bed Assembly.....	2-1.....	2-2
Flip Tail Assembly.....	2-8.....	2-24
Hose and Fitting Kit.....	4-6.....	4-12
Hydraulic Filter Assembly.....	4-2.....	4-4
Hydraulic Tank Assembly.....	4-1.....	4-2
Junction Assembly.....	4-4.....	4-8
Main Bed Assembly.....	2-2.....	2-8
Marker Lamp Assembly, Red.....	5-3.....	5-6
Marker Lamp Assembly, Yellow.....	5-4.....	5-8
Retractor Link Assembly.....	2-9.....	2-27
Tail Idler Assembly.....	2-12.....	2-33
Tail Latch Assembly.....	2-11.....	2-31
Tail Light Assembly.....	5-1.....	5-2
Toolbox Assembly.....	2-4.....	2-15
Winch Assembly.....	2-3.....	2-13

Numerical List of Parts Breakdowns

<u>Figure No.</u>	<u>Title</u>	<u>Page No.</u>
2-1	Final Bed Assembly	2-2
2-2	Main Bed Assembly	2-8
2-3	Winch Assembly	2-13
2-4	Toolbox Assembly	2-15
2-5	Dove Tail Assembly	2-17
2-6	Dove Tail Support Assembly	2-20
2-7	Dove Tail Linkage Assembly	2-22
2-8	Flip Tail Assembly	2-24
2-9	Retractor Link Assembly	2-27
2-10	Cylinder Linkage Assembly	2-29
2-11	Tail Latch Assembly	2-31
2-12	Tail Idler Assembly	2-33
2-13	Cable Roller Assembly	2-35
3-1	Decals	3-2
4-1	Hydraulic Tank Assembly	4-2
4-2	Hydraulic Filter Assembly	4-4
4-3	Control Valve Assembly	4-6
4-4	Junction Assembly	4-8
4-5	Check Valve Assembly	4-10
4-6	Hose and Fitting Kit	4-12
5-1	Tail Light Assembly	5-2
5-2	Backup Light Assembly	5-4
5-3	Marker Lamp Assembly, Red	5-6
5-4	Marker Lamp Assembly, Yellow	5-8

THIS PAGE INTENTIONALLY LEFT BLANK

Section 1

General Information

Table 1-1. Abbreviations & Acronyms

<u>Term</u>	<u>Meaning</u>
A	Amperes
ASTM	American Society for Testing and Materials
AWG	American Wire Gauge
BHC	Button head cap
BKDN	Breakdown
DIA	Diameter
DPDT	Double-pole, double-throw
FSHC	Flat socket head cap
FTG	Fittings
HHC	Hex head cap
ID	Inside diameter
LG	Long
MM	Millimeter
NHA	Next higher assembly
NPT	National pipe thread
OD	Outside diameter
OHM	Oval head machine
PHM	Pan head machine
PWH	Pan washer head
QD	Quick-Disconnect
REF	Reference
REG	Regular
SAE	Society of Automotive Engineers
SBHC	Socket button head cap
SHC	Socket head cap
SHS	Socket head shoulder