

XZ16K ~ XZ65K

TRUCK CRANE SPECIAL CHASSIS OPERATION MANUAL



**XUZHOU HEAVY MACHINERY CO. , LTD.
XUZHOU CONSTRUCTION MACHINERY GROUP CO. , LTD. CHINA**



CONTENTS

I . Preface	1
II . Vehicle number	2
III. Vehicle operation	4
(I) Arrangement in cab	4
(II) Preparation before driving	10
(III) Starting and shifting	12
(IV) Control of clutch	13
(V) Brake system	14
(VI) Outriggers operation	16
(VII) Winter operation	20
(VIII) Wheel inspection and replacement	21
(IX) Run-in of a new truck	23
(X) Usage of air conditioner	24
IV. Maintenance	26
(I) Interval mileage of vehicle routine check and maintenance	26
(II) Each assembly oil change period	26
(III) Maintenance key points	27
(IV) Fuel and lubricant brand and filling amount	33
V. Pneumatic Circuit Principle Diagrams	34
VI. Chass Hydraulic System Diagram	38
VII. Electric System	43
VIII. Main assembly structure features and technical parameters	53
IX. Main Spare Parts List	55
X. Tightening Torque of Main Bolts and Nuts	56
XI. Supplied Tools List for Truck Crane Special Carrier	57
Packing list	59



I. Preface

This manual supplies technical information about the performance, structure, operation, service and adjustment of XZ16K to XZ65K “XCMG ”-branded series truck crane chassis to drivers and maintenance workers for reading and vehicle managers and technicians for reference. Only operate and maintain the vehicle strictly in accordance with the specified requirements in this manual can the normal service life of the truck crane chassis be guaranteed.

The manual is applicable to chassis below:

XZJ5222JQZ16K

XZJ5284JQZ25K

XZJ5310JQZ25K

XZJ5324JQZ30K

XZJ5326JQZ30K

XZJ5322JQZ35K

XZJ5371JQZ35K

XZJ5401JQZ40K

XZJ5402JQZ40K

XZJ5393JQZ50K

XZJ5407JQZ50K

XZJ5414JQZ60K

XZJ5410JQZ65K

XZJ5430JQZ70K

Due to the product modification and improvement, what described in this manual may vary from the real chassis, we reserve the right to modify the design without notice.

Thank for your comments and suggestions to our product. If there are parts of these instructions or individual chapters that you do not understand, please do not hesitate to ask the sales department or technical center of our company.



II. Vehicle Number

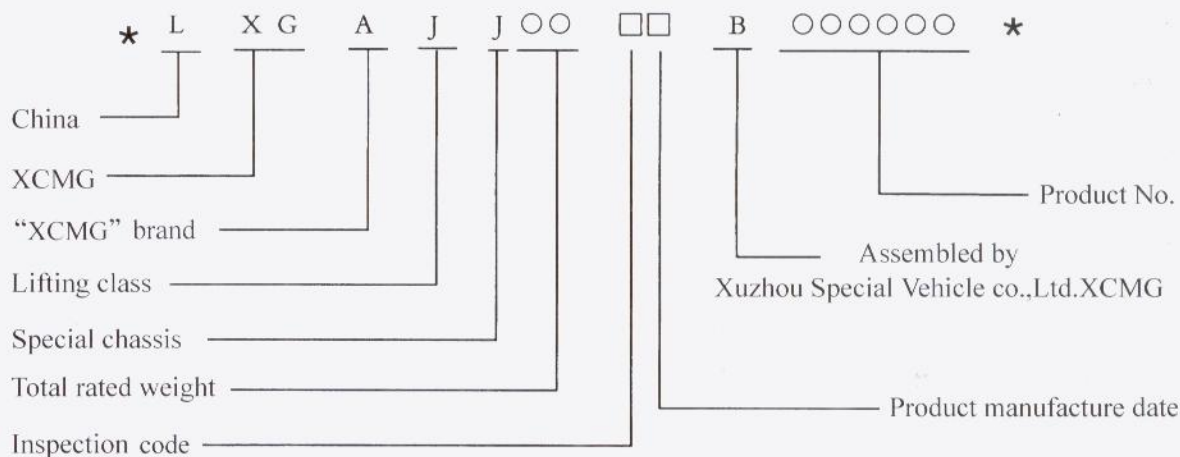
The vehicle numbers are marked in the nameplate on the front section of the right side beam of the frame and on the front beam of the right side of the frame.

The nameplate consists of

1. Product name and model;
2. Product number;
3. Engine number;
4. Delivery date;
5. Vehicle identification number (VIN) (for the chassis supplied outside);
6. Manufacturer

Symbols stars (☆) are marked at both end of product number and vehicle identification number.

The Vehicle Identification Number (VIN) for truck crane chassis :



Note: the VIN mentioned above is only used for the chassis supplied outside.

When you claim compensation, order spare parts or contact with our service department, please give the following correctly and clearly:



Vehicle Type: _____

Product No.: _____

Engine No.: _____

Delivery Date: _____

Vehicle Identification Number (VIN): _____



III. Vehicle Operation

(I) Arrangement in cab

Arrangement in cab consists of controllers and instrument panel including instrumentation, switches and indicators. Refer to figure 3—1.

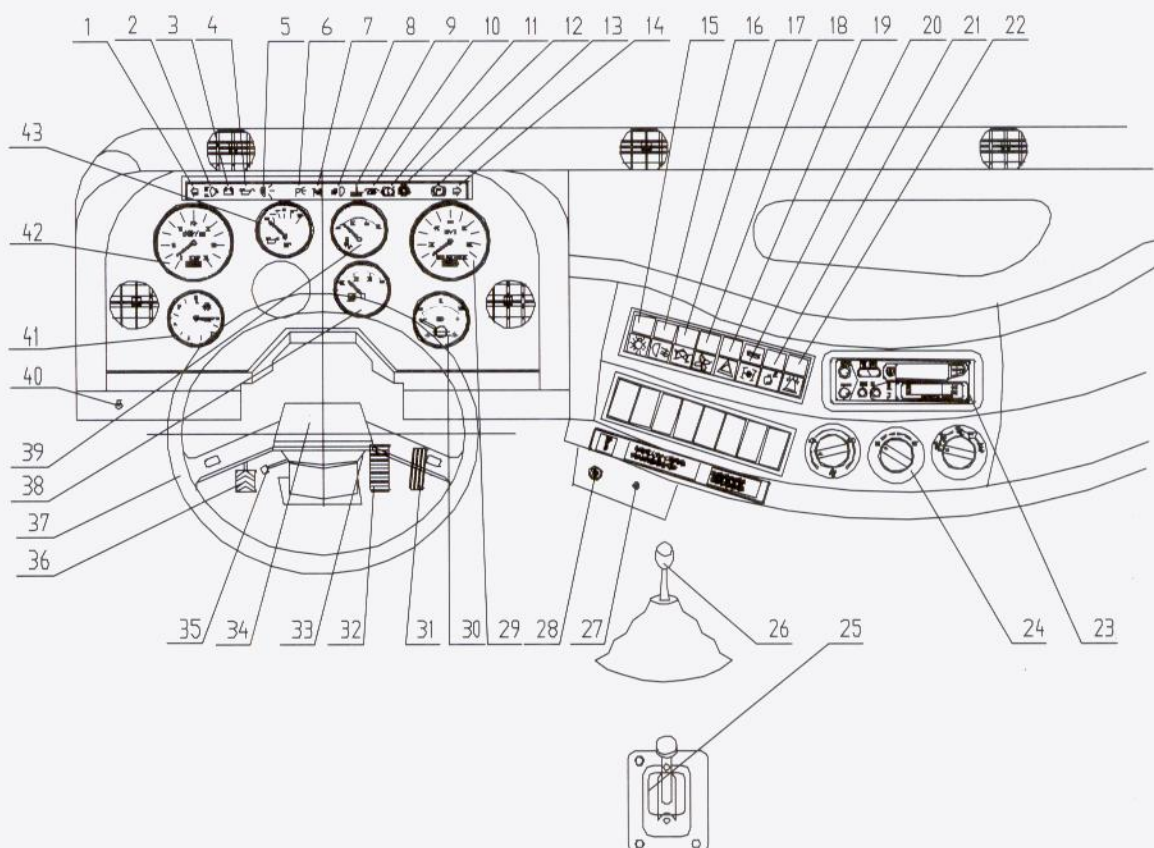


Fig. 3—1 Arrangement in cab

- | | |
|-------------------------------------|-----------------------------------|
| 1. Left turning indicator lamp | 2. Beam indicator lamp |
| 3. Power indicator lamp | 4. Oil pressure warning lamp |
| 5. Reversing indicator lamp | 6. Foot brake indicator lamp |
| 7. Differential lock indicator lamp | 8. Fog lamp indicator light |
| 9. Water temperature warning lamp | 10. Fuel warning lamp |
| 11. Low air pressure warning lamp | 12. Power take-off indicator lamp |