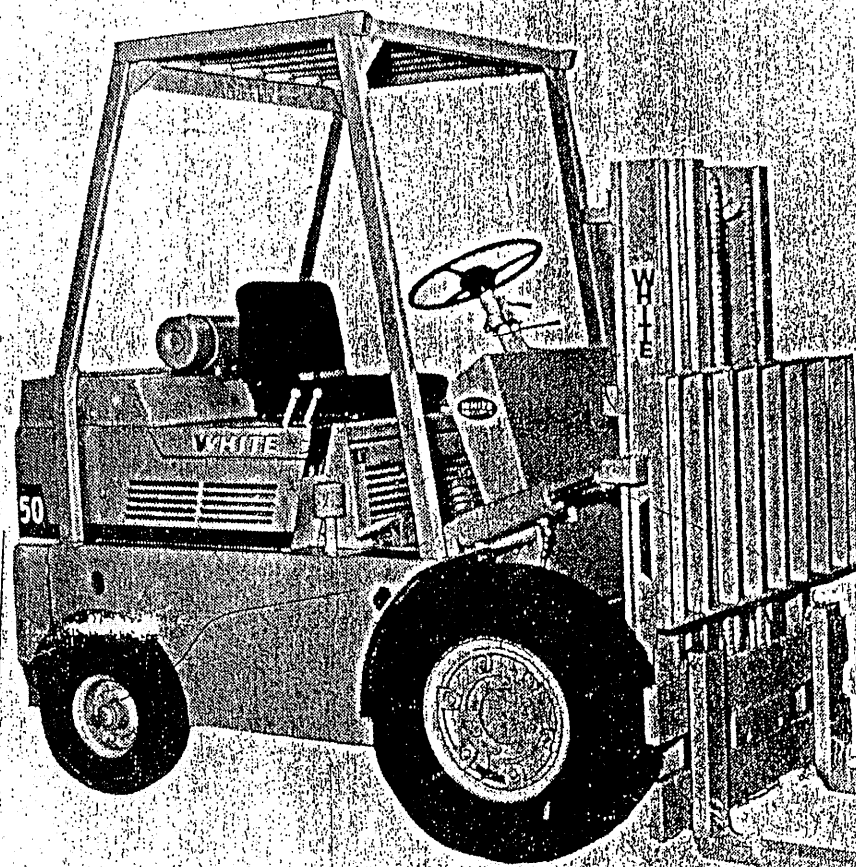


PARTS CATALOG

R-2229C

SERIAL NUMBERS

MY40B 48400001 Gas, LP-Gas
MY50B 48500001 Gas, LP-Gas
MY60B 48600001 Gas, LP-Gas
MY70B 48700001 Gas, LP-Gas
MY80B 50200001 Gas, LP-Gas
MY40BD 48800001 Diesel
MY50BD 48900001 Diesel
MY60BD 49000001 Diesel
MY70BD 49100001 Diesel
MY80BD 50300001 Diesel
MY40-50B 6400101 Gas, LP-Gas
MY40-50BD 6450101 Diesel
MY60-80B 6600101 Gas, LP-Gas
MY60-80BD 6650101 Diesel



MY40, 50, 60, 70, AND 80B FORK LIFT TRUCKS

GASOLINE, LP-GAS, AND DIESEL



White Materials Handling
A SUBSIDIARY OF WHITE MOTOR CORPORATION
HOPKINS, MINNESOTA 55343

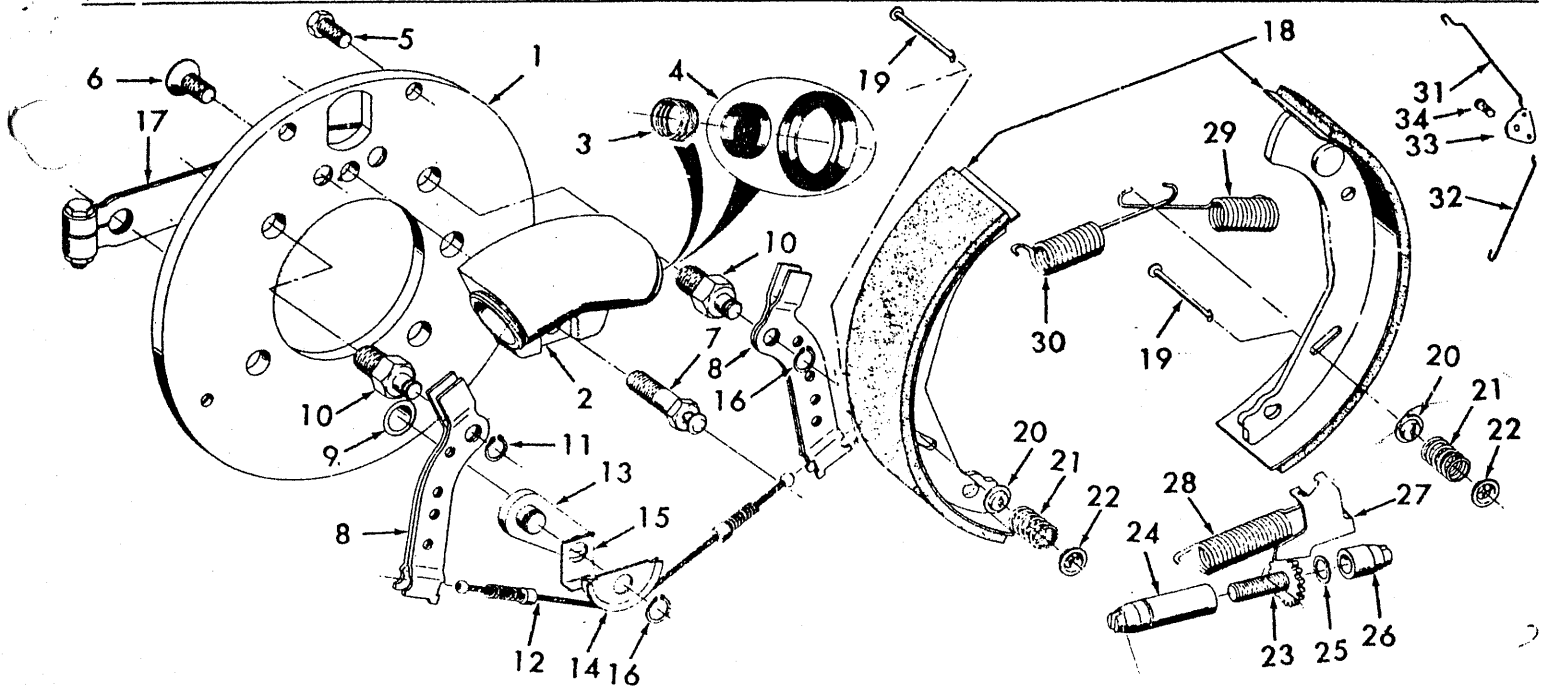
No.	Part No.	DESCRIPTION	No. Pcs.
		Supplement "A" to Repair Parts Catalog R-2229C This supplement is to be used in conjunction with R-2229C Parts Catalog on MY40-80 B and BD. This supplement covers changes and additions made on the MY40-80B and BD Fork lift trucks. Parts carried at CPW that are same as, will be shown with a asterisk (*)	
	Page A-2	Change Stevedore Parts to page C-10	
	Page A-5	Add 1981 engine spec #4142513	
	Page A-8	Change 50A1912 nut, Ref.#9 to 50A6399, 1½ across flats	
	Page A-9	Change GM180212 bolt to 50A6375, 9/16-18 N.F. Change GM180218 bolt to 50A6381 * Add to description on 20-3009752 nut, 9/16-18 N.F. Change 50A1370 screw, 12 pt. to 907966 * Change 50A1281 bolt-12 pt. to 907970 * Change 35A425 cone, Ref.#21 to KA5021 * Change 10A11489 cup, Ref.#22 to KB5017 * Change 10A6712 cone, Ref.#33 to KA5012A * Change 10A1697 cup, Ref.#34 to KB5012A * and add to description cup-brg.case hsg. qty. 2	
	Page A-10	Change description on 20-3010041 Ref.#11 to pinion-less bushing (11A5559) Add to description on 10A5560 bushing Ref.#12, for 11A5559 pinion	
	NOTE:	20-3010041 pinion does require bushing w/20-3010042 shaft	
	Page A-11	Change GM180212 bolt to 50A6375, 9/16-18 NFX1-3/4 Change GM180218 bolt to 50A6381 * Change description on 20-3009752 nut to 9/16-18(Correction) Change description on 50A1912 nut to Gr.8 Change 20-3006395 carrier, Ref.#30 to 20-3011072, less oil drain hole	
	Page A-12	Add a asterisk (*) to 20-3010041 pinion and 20-3010042 shaft	
	NOTE (*)	New pinion does not require a bushing	
	Page A-13	Change 50A5724 plug to 941036 * and add 50A5726 plug pipe, 3/8-18 1 Change 50A955 plug, Ref.#16 to 941050 * Change 50A4446 plug, Ref.#18 to 941048 * Change 50A1440 bolt 12 pt. to 907651 * Add new parts for diesels with latest lower pack inching	
1	20-7370045	Case-transmission w/dowel pins	1
5	20-3010795	Piston-relief valve	1
7	20-7370046	Cover-relief valve w/ball	1
	50A1864	Bolt-hex, 5/16-18 x 2½	2
8	20-3010796	#Gasket-cover	1
13	35A390	Spring-priority valve, 18 coils	1
15	20-6011525	Cover-Inc. (+)	1
22	20-3011503	Manifold-less orifice, lower inching	1
	907651	Bolt-12 pt., 3/8-16 x 1	5
	Page A-14	Change 50A1440 bolt to 907651 * Change 50A1445 bolt to 907656 * Add note to 20-3010508 converter, used on MY40-50B SN.6400432 and after, Gas & LP MY40-50BD, SN.6450167 and after and MY60-80BD SN.6650154. and after. Add note to 20-3010509 converter, used on MY60-80B	

Ref. No.	Part No.	DESCRIPTION	No. Pcs.
	Page A-14 (Cont'd) Page A-16	SN.6600373 and after (Gas and LP)	
16A	35A7709	Add new paper plates for Gas and LP, used on MY40-50B SN.6400473 and MY60-80B SN.6600352 and after Plate-paper, lower clutch 36 int.,teeth 7 O.D.	8
17A	35A8268	Plate-spacer, lower clutch, .060 thick, 58 ext.teeth..	10
18	20-3010699	Ring-back-up, lower clutch, 3/8" thick	2
		Add new parts for diesels with lower clutch pack inching, MY40-50BD SN.6450187 and after and on MY60-80BD SN.6650168 and after	
2	20-6011519	Shaft-output, w/ring gear (less seals) Inc.2-1 and 2-2	1
2-1	20-6011520	Shaft-pinion, 8 T.	1
2-2	20-3003489	Gear-ring, 41 T.	1
6	20-3009412	Housing-clutch plates, upper and lower	2
9	20-6000347	Piston-input clutch, w/ball, 58T., upper	2
10	36A12310	Piston-otpt. clutch, 58T., lower	2
14	20-3009414	Retainer-spring, clutch, 1x3-47/64 O.D.	4
18	20-3010699	Ring-back up, upper clutch, 3/8 wide, 58T.....	2
	Page A-17	Change description of 20-6009411 carrier, Ref.#20 to 36-48 T. Change 36A360 carrier, Ref.#31 to 20-6011504 (36A360) Change 36A12548 carrier, Ref.#34 to 20-6011508 (36A12548) Change 35A357 cone, Ref.#37 to 984335 * Change 35A327 cup, Ref.#38 to 984329 * Change 35A368 cup, Ref.#40 to 982554 * Change GM132046 screw to 20-3011076 * Change 50A196 ring, Ref.#22 to K2030C *	
	Page A-18	Add note to 20-3010993 plunger, Ref.#24, for gas and LP, MY40-50BD SN.6450186 and prior and MY60-80BD SN.6650167 and prior with upper clutch inching Add new plunger Ref.#24 for diesel units lower clutch inching	
24	20-3011506	Plunger-rod inching, lower, clutch pack inching, diesel Used on MY40-50BD SN.6450187 and after and MY60-80BD SN. 6650168 and after	1
	Page A-20	Change 50A6379 ring, Ref.#25 to 1/2 external Add new hoses and fittings for trans.oil filter plumbing MY40-50B SN.6400432, MY40-50BD SN.6450167 MY60-80B SN.6600300, MY60-80BD SN.6650154 and after	
7	50A6071	Elbow-filter, outlet, 7/8-14 x 90°	1
7	20-3010746	Elbow-filter, inlet, 90°, MY40-50B	1
9	20-3011470	Hose-filter inlet, 1 1/2, w/90° bend tube, MY40-50B	1
9	20-3010743	Hose-filter inlet, 45° bend tube, 33-3/4, MY60-80B.....	1
		Change 50A5724 plug Ref.#14 to 941036 * Change 50A600 clip, Ref.#21 to 942418 * Change 50A2281 connector, Ref.#28 to 940075 *	
27	20-3010729	#Tube-external lube, diesel, 1/2	1
	940283	#Elbow-tube to case, 1/2 x 90°	1
		Add fittings and tubes for MY40-80BD with lower pack inching	
19	20-3011522	Tee-external lube.....	1
	20-3011512	Tube-vlv. to mnfld., s-shaped, 1/2	1
	940076	Connector-manifold to tube, 1/2 x 1/2	1
	940075	Connector-converter tube, 3/8 x 1/2	1
	20-3010793	Tube-transmission relief, 1/2 x 11	1
	940285	Elbow-tube to cover, 1/2 x 90°	1

Ref. No.	Part No.	DESCRIPTION	No. Pcs.
	NOTE:	Used on diesels MY40-50BD SN. 6450187 and MY60-80BD SN.6650168 on units with lower clutch pack inching	
	Page A-21	Change 50A5989 screw to 907749 *	
	Page A-22	Change quantity of 50A3648 bolt and 50A4699 nut to 2	
	Page A-23	Change 35A1272 cable, Ref.#29 to 20-3005005(35A1272)	
	Page B-2	Add # to 35P384 boot, part of 35P1046 kit	
		Change 50A1406 bolt to 907622 *	
		Change 50A5928 screw to 20-3011171 *	
	Page B-3	Change 20-3007348 hose Ref.#26 to 20-3007347 (Correction)	
28	20-3011471	Add to description on 20-3003626 tube #28, MY60-80B	
	50A4604	Hose-return to tank, 3/8 x 41, MY40-50B	1
		Elbow-hose, 3/8-90°, MY40-50B	1
		Omit 20-3009745 tube when 20-3011471 hose is used.	
		On MY40-50B and BD 20-3009745 tube,Ref.#31 and	
31 & 33	20-3011567	20-3007350 hose,Ref.#33 are replaced with a hose	
31 & 33	20-3011472	*Hose-mtr. to pmp., 3/8x45, MY40-50B.....	1
		+Hose-mtr. to pmp., 3/8 x 47, MY40-50BD	1
		Add to description on 20-3007350 hose,Ref.#33, used on MY60-80B	
		Add to description on 20-3007347 hose, Ref.#33, used on MY60-80BD	
		Add description on 20-3007348 hose, Ref.#34, used on MY60-80B & BD	
7B	Page B-4	Change description on 20-7000038 washer to upper, qty to 1	
		Add 7A Ref.# to 20-7300982 race, is lower #7 on illus.	
		20-7300983 wave washer, Ref.#6 is a washer that fits between bearing and bearing race 20-3000982	
		Change 10P3421 bearing, Ref.#27 to 31-2748347 *	
		Change 20-7300234 pin, Ref.#31 to 31-2748317 *	
	Page B-6	Change 50A1380 bolt to 907605 *, 12 pt.	
		Change 50A1381 bolt to 907606 *, 12 pt.	
	Page C-2	Change 50A1739 bolt to 907795 *	
		Change 50A1345 bolt to 907861 *	
	Page C-6	Add cover for fuel tank flange	
	20-3011117	Cover-opening, fuel tank	1
		Change 20-3010606 switch, Ref.#28 to Ref.#29, 230°	
		Omit 20-3009427 switch, Ref.#29	
	20-3009894	Wire-jumper to switch, 14 Ga. 31 long	
	Page C-7	Change 20-3009963 harness,Ref.#2 to 20-3011202 (20-3009963)	
		Add note to end of group, transistorized ign.,see P.F-5	
	Page C-10	Add dome and flasher for 20-6009281 lamp	
	20-7302579	Dome-red	1
	20-7302580	Dome-amber (special)	1
	20-7302585	Flasher-lamp	1
	Page C-11	Add note for governor rods, See Page E-7	
	Page D-5	Add gasket for hydraulic pump mounting	
	35A705	Gasket-pump to eng. adapter	1
	Page D-6,7	Change 20-7301284 spring,Ref. #20 to 20-7301882, 1000 psi	
	Page D-12	Change 50A1165 bolt to 907715 *	
	Page E-2	Add new air cleaners, std. equip., with cover	
		Change 20-3010406 air cleaner, Ref.#1 to 20-6010406, includes spud for PCV., gasoline & LPGas	
		Add sleeve for spud on air cleaner w/LP gas engine	

Ref. No.	Part No.	DESCRIPTION	No. Pcs.
	Page E-2 (Continued)		
	20-3010570	Sleeve-spud tube, 1/2x1, LP gas units	1
		Add note to 10P1874 cover, used with 10A16904 air cleaner	
		Add note to 20-7302433 cover, used w/20-3010406 & 20-6010406..	
		Change 20-7301250 clamp, Ref.#9 to 2713717 *	
		Change 20-7301251 gasket, Ref.#10 to 2712927 *	
		Add a cross (+) to Ref.#5, 6, 7, 9, 10 and 10A	
	NOTE: (+)	Used with adaptor 20-7301361, Ref.#8	
		Change 20-3010051 elbow, Ref.#25A to 20-3005451	
	Page E-3	Omit 20-3007777 muffler and order thru WLT sales	
	Page E-5	Change 50A193 valve, Ref.#1 to 20-3011267 *	
		Add filter with gasket, part of 35A7712 filter assy.	
	AC9730	Element- w/gasket, filter	
		Change 20-3007014 tube to 20-6011322 *	
		Change 20-3007015 tube to 20-6011320 *	
		Change 20-3007016 tube to 20-6011321 *	
	Page E-6	Add note to bellcrank 20-7301316	
	NOTE:	Late models require rework of 20-7301316	
	Page E-7	Add a (#) sign to 20-3007191 belt, 20-3007895 bracket, 20-3007187 rod and 20-3007584 rod	
	NOTE(#)	Used on units w/governor drive from crankshaft pulley	
		Change 20-3009384 rod length to 19-3/8	
	Page E-8	Change 20-3009183 valve, Ref.#19 to 20-3011164(20-3009183)	
		Change 20-3005341 wire, Ref.#26 to 20-3002656(20-3005341)	
	Page E-9	Change description on Ref.#1 to, see page E-8	
	Page E-10	Change 20-3009183 valve, Ref.#19 to 20-3011164 (20-3009183)	
	943305	Nipple-valve, used with 20-3011164 (50A4450) *	1
		Change 50A4201 washer to 920007 *	
		Add wire for 20-3011164 valve	
26	35A12874	Wire-pressure switch (yellow) 31	1
	Page E-11	Change description on Ref.#1 to, see page E-10	
		Change 50A603 clip, Ref.#4 to 50A4666, 1/2	1
		Change 20-3007210 carburetor, Ref.#6 to 20-3011286	
		Carb. and 1-20-3011215 hose	
	20-3005342	Rod-carb to bellcrank, 6	1
		Change 20-3005341 wire, Ref.#22 to 20-3002656	
	Page E-12	Add clamp for bypass hose, bottom of column one	
	10A30409	Clamp-hose, 1	2
	Page F-2	Change 20-3009437 alternator, Ref.#1 and 2 to 20-3010785 w/metric terminals.	
	Page F-4	Add new engine specs. to Note (+) 4142272 & 4142513	
		Change 20-7301334 nipple to 2719627 *	
		Change 31-2769937 coil, Ref.#8 to 20-3010278 *	
		Change 20-7301334 nipple to 2719627 *	
	Page F-5	Change 31-2760277 ballast, Ref.#2 to 31-2760927 and description to dual resistor	
		Add to 31-2759177 harness, Ref.#3, for dual resistor ballast	
2	31-2794017	Ballast-single resistor, control unit	1
3	31-2792047	Harness-control box, single resistor	1
	NOTE:	Wiring harness, see page C-7	
	Page F-7	Change 50A4430 cock to KS517 w/drain tube (50A4430)	
		Change description on 20-3005066 hose, Ref.#10, 1 1/2x22	
		Add size to 20-3010488 hose, Ref.#9-10, 1 1/2 x 25	

Ref. No.	Part No.	DESCRIPTION	No. Pcs.
	Page F-8	Add new head and gaskets for engine spec.4142513 and after with hyd. valve lifters	
2	20-7302588	Head - H225-4142513	1
3	20-7302589	Gasket - Cyl. head	1
4	20-7302587	Cover-Cyl.head	1
5	20-7302586	Gasket - Cyl. head cover	1
		Omit 20-7301418 cover and use 20-7302104 cover	
		Add timing indicator Eng. Spec. 41420217, 4142272 and 4142513 engines	
	31-2769917	Indicator-timing, transistorized ignition	1
		Add PCV hose on early and late models	
7	20-3005579	Hose - PCV, older models, 5/8 x 33	1
7	20-3009409	Hose - PCV, carb. to valve cover, 3/8 x 27, late models	1
		Change 20-7301443 cap to 31-2745787 *	
	Page F-9	Change 20-7301940 nut to 2717767 *	
	Page F-10	Add note (*) to 20-7301404 camshaft, Ref.#11	
	NOTE (*)	Used on eng. spec. H225-3745588, 3745891, 4142027 and 4142272 less hyd. valve lifters	
11	20-7302593	+ Camshaft-eng., w/hyd. valve lifters	1
	NOTE (+)	Used on eng.spec. 4142513 and after	
		Change 20-7301940 nut to 2717767 *	
X	Page F-11	Add a asterisk (*) to 20-7301431 Ref.#9 tappet 20-7301432, 20-7301433,20-7301434 Ref.#10 rod, 20-7301435 Ref.#11 rocker and 20-7301438 Ref.#14 shaft.	
	NOTE (*)	Used on eng.spec. H225-729,860,3619850, 3745048, 3745588, 3745891, 4142027 and 4142272 Ins. less hyd.valv.lftrs. Add new parts for hydraulic valve lifters	
9	20-7302604	+ tappet-valve, std.	12
9	20-7302605	+tappet - valve, .001 O.S.	12
9	20-7302606	+tappet-valve, .008 O.S.	12
10	20-7302592	+Rod-valve, push rod, hollow	12
11	20-7302590	+Rocker-valve.....	12
14	20-7302591	+Shaft-valve rocker	1
	NOTE (+)	Used on Eng.Spec.4142513 w/hyd.vlv. lftrs.	
		Add bolt for rocker shaft retaining	
16	20-7302607	Bolt-rocker shaft retaining , 3/8-16x1-3/4	6
	Page F-12	Change 20-7301446 pump to 20-7302594(20-7301446)	
		NOTE: New pump is 3/16" larger than old pump and will work in place of old pump.	
		Add new longer shaft for new pump	
5	20-7302603	+Shaft-oil pump drive	1
	NOTE (+)	Used on 20-7302594 oil pump starting with Eng.Spec. 4142513 w/hydraulic valve lifters	
	Page G-2	Change 10A22768 decal to 20-3011095	
		Change 20-3010261 decal to 20-3011096	
		Change 20-3010609 decal to 20-3011101 and add	
	20-3011334	Decal-fwd.- rev.,on cowl, 1-1/8 x 1.44	1
	20-3011182	Decal-Warning, carb. connection, 1½ x 2	1
		Change 20-7302036 paint, yellow to 50929 *	
		Change 20-7302049 paint quart to 20-7302560 gal.omit 6 per cs	
	Page G-3	Change 30-3105628 fluid to 20-7001653, 2½ gal. cont.	
		Change 30-3105652 oil to 20-7001652, 2½ gal. cont.	
		Change 30-3105210 oil to 20-7001644, 2½ gal. cont.	
		Change 30-3106365 oil to 20-7001645, 2½ gal. cont.	
		Omit 30-3105423 oil, low ash	



BRAKES FOR DRIVE WHEELS AND WHEEL CYLINDER
 GROUP II - BENDIX, 12 1/2 x 2 1/4
 MY40-50B SN.6400647 & DIESEL SN.6450229 AND AFTER
 MY60-80B SN/6600563 & DIESEL SN.6650230 AND AFTER

Ref. No.	Part No.	DESCRIPTION	No. Pcs.	Ref. No.	Part No.	DESCRIPTION	No. Pcs.
	20-6011923	Brake- RM , 12 1/2x2 1/4 RH	1		50A1900	Nut-hex, 3/8-16	2
	20-6011922	Brake- RM , 12 1/2x2 1/4 LH	1	18	20-7302735	Kit-shoes w/lining (4)	1
		Inc. #1-34:		19	35P2209	Pin-hold-down	4
	50A2642	Bolt-hx.Gr.8, 1/2-13x1 1/4	4	20	35P2212	Cup-spring	4
1	-----	Plate-order assy.	2	21	35P2210	Spring-pin	4
2	20-7300421	Cylinder-wheel, 1-1/4	2	22	JT9119	Cup-pin retainer	4
3	35P2199	Spring-cylinders	4	23	35P2862	Screw-LH	1
4	35P2200	Kit-repair, cylinder	2	23	35P2861	Screw-RH	1
5	20-7300422	Bolt-cyl. 12pt. 7/16	4	24	35P2193	Pivot Nut-LH	1
6	20-7300423	Bolt-cyl.flat hd. 1/2	4	24	35P2192	Pivot Nut-RH	1
	-----	Tool-bolt, Appex#480-TX-55	AR	25	35P2215	Washer-adj.screw	2
	35P2390	Screw-bleed, cylinder	2	26	35P2206	Socket-adj.screw	2
7	35P2863	Pin-anchor	2	27	35P2205	Lever-adjuster, LH	1
8	35P2195	Lever-parking brake	4	27	35P2204	Lever-adjuster, RH	1
9	20-7302726	Bushing-lever	4	28	20-7302734	Spring-adjuster (Yellow)	2
10	35P2186	Bolt-lever	4	29	20-7302733	Spring-shoe (Brown)	2
11	35P2864	Retainer-lever	4	30	20-7302732	Spring-shoe (Green)	2
12	20-7302728	Cable-parking brake	2	31	20-7302729	Link-upper, RH (Orange)	1
13	20-7302727	Cam-cable	2	31	20-7302730	Link-upper, LH (Yellow)	1
14	35P2213	Sheave-cable	2	32	20-7302731	Link-lower (Pink)	2
15	35P2214	Retainer-cable	2	33	35P2868	Lever-toggle	2
16	35P2217	Retainer-sheave	2	34	20-7302703	Pin-pivot, toggle lever	2
17	20-7370051	Lever-brake control 40-50B	2		50A3830	Pin-cotter, 1/16 x 3/4	2
17	35P2202	Lever-brake control 60-80B	2		GM106260	Washer-1/4 x 9/16	2
	50A3668	Bolt-hex, 3/8-16x1 1/2	2		35A10626	Plug-rubber, back plate	2

f. No.	Part No.	DESCRIPTION	No. Pcs.
		Supplement "B" to Repair Parts Catalog R-2229C and Suplt."A" on MY40-80B and BD Lift Trucks This supplement covers changes and additions made on Lift Trucks	
Page A-7		Change 35A6655 ext. to 20-3006108, 6 long, qty. 2	
Page A-9		Add note to 36A12128 cast-diff. Ref. #27 Used with the following parts on MY40-50B 35A10675 hsng. Ref. #1, 35A231 shim, Ref. #3, 35A421 shim, Ref. #4, 35A869 shim, Ref. #5, 35A230 seal Ref. #6 add new parts used with 20-6000410 case, Ref. #27	
1	20-3011653	Housing-axle	2
3	20-3001015	Shim-hsng., .010	4
4	20-3001017	Shim-hsng., .005	4
5	20-3001016	Shim-hsng., .002	4
6	M536	Seal-O-ring, hsng.	2
27	20-6000410	Case-diff.	1
		Add note to 35A10729 housing, w/Wagner brakes	
15	20-3011928	+Housing-shaft, 16 holes	2
	Note(+)	Used with Bendix brakes on MY40-50B Sn.6400647 MY40-BOBD Sn.6450229, MY60-80B Sn.6600563 & MY60-80BD Sn.66500230 and after	
Page A-10		Add new cage for differential that is made for easier assembly replacing 35A1848 cage Ref. #2	
2	20-3011651	Cage-differential, LH	1
3	20-3011660	Bolt-patch, 1/2-20x3-1/4, Gr.8	8
	20-3011659	Bolt-patch, 1/2-20x1-1/2, Gr.8	8
Page A-11		Add note to 20-3003521 & 20-3006924 hsng., w/Wagner brake	
		Add new housing for Bendix brake	
12	20-3011925	+Housing-axle, 4 bolt cap	2
	Note (+)	Used on MY40-50B Sn.6400647, MY40-50BD, Sn.6450229, MY60-80B Sn.6600563 and MY60-80BD Sn.6650230 and after	
Page A-12		Change 35A12887 cage Ref. #1 to 35A244 (Inter.) Add new cage for differential that is made for easier assembly replacing 35A12888, cage, Ref. #2	
2	20-3011651	Cage-differential, LH	1
4	20-3011660	Bolt-patch, 1/2-20x3-1/4, Gr.8	8
	20-3011659	Bolt-patch, 1/2-20x1-1/2, Gr.8	8
Page A-19		Make the following changes on units with single speed transmission, use the following	
2	35A12802	Tube-lever	1
11	36A12805	Bell Crank w/bushing	1
14	15A14814	Spacer-lever, 3/8 thick	3
Page A-20		Add new tee for external lube for diesels w/lower inching	
29	20-3011505	Tee-external lube, 1/2	1
Page A-21		Add to heading on brakes Group I, (Wagner) Add new Group II for Bendix brakes, page 2	
Page A-22		Add note to cables, Ref. #29 & 30, Used with Wagner brakes Add new cables for Bendix brakes	
29	20-3010611	Cable-LH brake, 58-5/8	1
30	20-3010612	Cable-RH brake, 41-3/16	1

White Fork Lift My40 80b Fork Lift Trucks Parts Catalog

Full download: <http://manualplace.com/download/white-fork-lift-my40-80b-fork-lift-trucks-parts-catalog/>

Ref. No.	Part No.	DESCRIPTION	No. Pcs.
Page A-23		Add new parts for master cyl.lines for Bendix brakes	
17	50A6003	!Elbow-cyl.brk.ln.,1/8x3/16	1
16	20-3011981	!Tube-cyl.to tee, MY40-80B	1
21	20-3011977	!Tube-tee to cyl.LH,MY40-50B	1
21	20-3011948	!Tube-tee to cyl.LH,MY60-80B	1
22	20-3011978	!Tube-tee to cyl.RH,MY40-50B	1
22	20-3011954	!Tube-tee to cyl.RH,MY60-80B	1
23	50A5629	!Tee-3 way,inverted flr.,3/16	1
	Note(!)	Used with Bendix brakes, MY40-50B Sn.6400647, MY40-50BD Sn.6450229, MY60-80B Sn.6600563 & MY60-80BD Sn.6650230 and after	
Page B-4		Change 20-7301519 motor to use 20-3005608 assy.	
Page B-7		Change 1147770 cap ref.#18A to 35A558 (Inter.)	
Page B-8	50A4224	Add lock washer for bolts w/solid tires *Washer-lock,1/2	24
		Change 1147770 cap ref.#11 to 35A558 (Inter.)	
Page B-9		Change 35A7794 bushing ref.#31 to 20-6011594	
Page C-2		Refer to dipstick Ref.#8 and breather Ref.#10 Change 20-6002457 dipstick to 20-6012185 Change 20-6004585 dipstick to 20-6012186 Change 20-3002266 breather to 20-3002181	
Page C-3		Add new bracket for flywhl.hsnq.Ref.#1	
1	20-6011598	Bracket-flywl.hsnq. Used on MY40-50B Sn.6400522 & MY60-80B Sn.6600353 & after	2
Page C-5		Add new seat (bucket style)(Michigan)	
	20-3010979	Seat-assy.	1
	50A1004	Nut-lock(Elastic),5/16-18	4
	50A2029	Washer-plain,13/32x1	4
	50A5514	Spacer-seat frame,rear,3/8x5/8 O.D.	2
	50A1921	Bolt-seat spacer,5/16-18x7/8	2
		Change 35A406 swtch.Ref.#7 to 20-300029(35A406)	
Page C-7	20-7302609	Add fuseable link,lwr.hrnss(in place of 11,12,&13 Link-wire,3-1/2	1
Page C-8		Change 35A1068 wire Ref.#13 to 20-3011707 (35A1068)	
Page C-9		Change 35A1068 wire Ref.#14 to 20-3011707 (35A1068)	
Page C-11		Change 50A3670 bolt to 50A3673 and lngth.to 3 Add Note(*) to 20-3005408 rod Ref.22 and 20-3005409 clip Ref.#23	
	Note(*)	Used on MY40-50BD Sn.6450225 & MY60-80BD Sn.6650230 Inc.	
Page D-2		Change 20-3005259 hose Ref.#13 to 20-3011641 Change 50A6097 Elbow Ref.,#19A to 50A6374 (Inter.) Change 50A6097 elbow Ref.#25 to 50A5637, 90°	
Page D-4		Change 2009-08425 washer Ref.#17 to 20-3011623	
Page D-12		Add Group I to tilt cylinder (Cessna) Add new Group II to tilt cylinder (Rosenboom), page 4	
Page E-2		Add new page of copy for standard air cleaner and cyclopac air cleaners, pages 5 and 6	
Page E-4		Change 20-3010815 brkt.,Ref.#12 to 20-6010815 w/weld nut	
Page E-5		Add new fuel cap for tank replacing filter assy.	
	20-3011593	Cap-fuel tank, 2",w/seal	1
	20-7302614	Seal-cap(rubber)	1
Page E-6&7		Use old and add new groups for new carburetor and governor, See pages 7 and 8 of this supplement	