

PARTS CATALOG

R-2156D



GASOLINE
LP-GAS
DIES L

A P R S O GA

DR 5 6 2

F O R E W O R D

This catalog contains a complete list of parts for the lift truck. To assist in determining the part numbers and descriptions, the parts in this catalog are grouped according to their location on the lift truck. Reference numbers only are shown in each illustration. These numbers correspond to those in the reference number column in the list of parts which precedes each "exploded" view.

TYPICAL PARTS ARE SHOWN, AND MAY NOT ALWAYS BE IDENTICAL WITH CURRENT PARTS. REFER TO THE TEXT. "Right or Left" is determined by facing toward the mast from the lift truck seat.

To further assist in locating repair parts, the part numbers are arranged in numerical sequence and indexed at the rear of this catalog.

Component parts of assemblies are listed following the assembly itself and are identified as being part of the assembly by this notation following the description:

Consists of the following ... parts or Includes the following ... parts:

Part numbers only make up an assembly. Hardware items are not to be included.

Parts such as standard bolts, nuts, screws, washers, etc., are indented and listed under the respective individual parts with which they are used. The quantity for many of the shims listed is shown as A.R. (as required). The correct amount of shims should be determined in order to get the proper clearance.

Occasionally new part numbers replace old numbers in the Part No. column. In those cases where the new number substitutes for the old number, the old number will be enclosed in parenthesis and it will appear at the end of the text in the description column.

When in need of repair parts, order from your local dealer. All parts orders should plainly specify your name, post office address, and whether shipment is to go by parcel post, express, or freight.

It is the policy of the Company to improve its products whenever it is possible and practical to do so. We reserve the right to make changes or add improvements in the design or construction of parts at any time without incurring the obligation to install such changes on products previously delivered.

IMPORTANT SERIAL NUMBER INFORMATION

Items in this catalog identified by a (*) are used on lift trucks as follows:

MY 40 Gasoline, LP Gas to No. 20101171 inc.
MY 40 Diesel to No. 31800018 inc.
MY 50 Gasoline, LP Gas to No. 32200202 inc.
MY 50 Diesel to No. 32100015 inc.
MY 60 Gasoline, LP Gas to No. 20200587 inc.
MY 60 Diesel to No. 32000021 inc.
MY 70 Gasoline, LP Gas to No. 32300084 inc.

Items in this catalog identified by a (**) are used on lift trucks as follows:

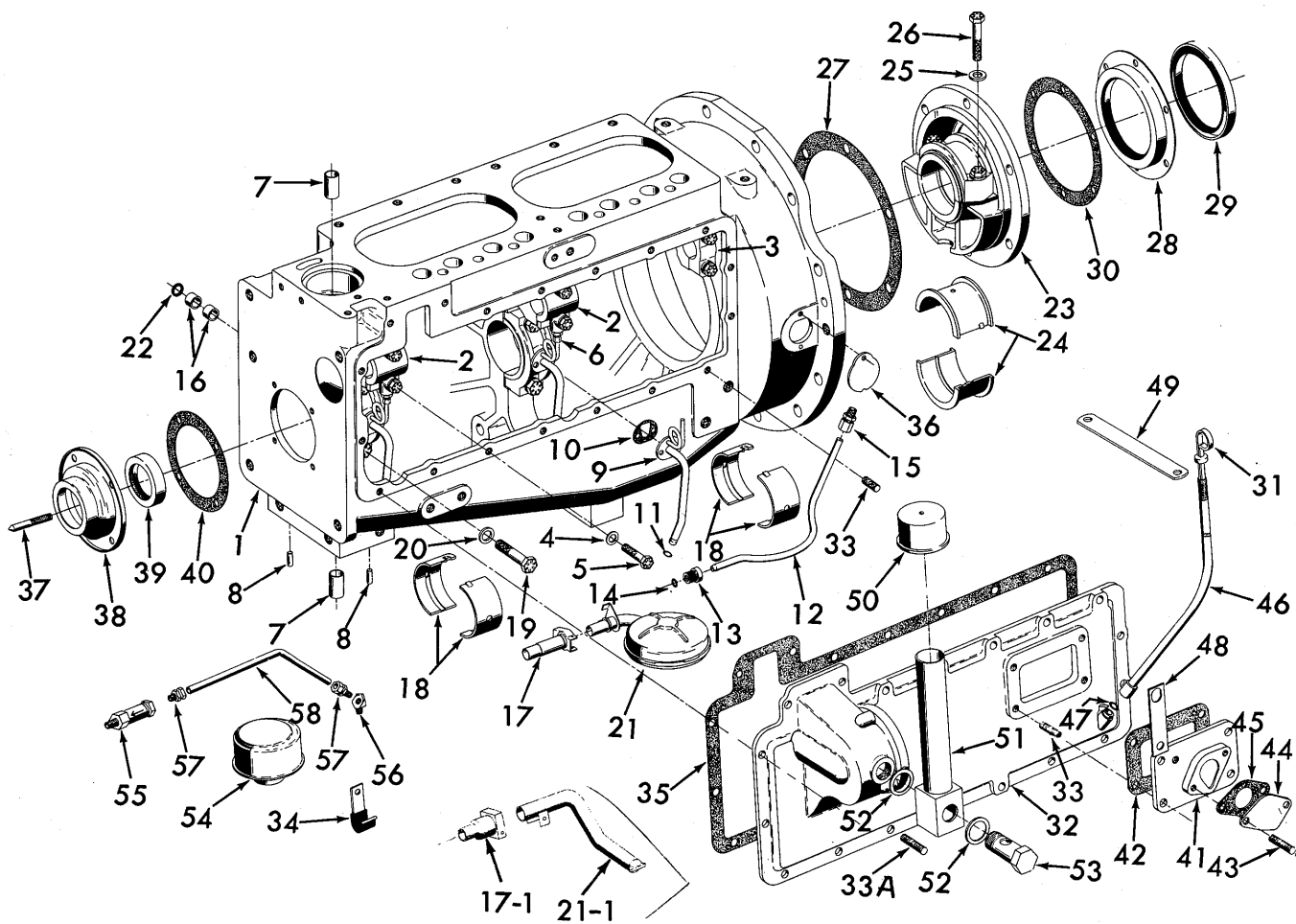
MY 40 Gasoline, LP Gas No. 20101172 and after.
MY 40 Diesel No. 31800019 and 47700001 and after.
MY 50 Gasoline, LP Gas No. 32200203 and after.
MY 50 Diesel No. 32100016 and 47800001 and after.
MY 60 Gasoline, LP Gas No. 20200588 and after.
MY 60 Diesel No. 32000022 and 47900001 and after.
MY 70 Gasoline, LP Gas No. 32300085 and after.
MY 70 Diesel No. 48000001 and after.

TABLE OF CONTENTS

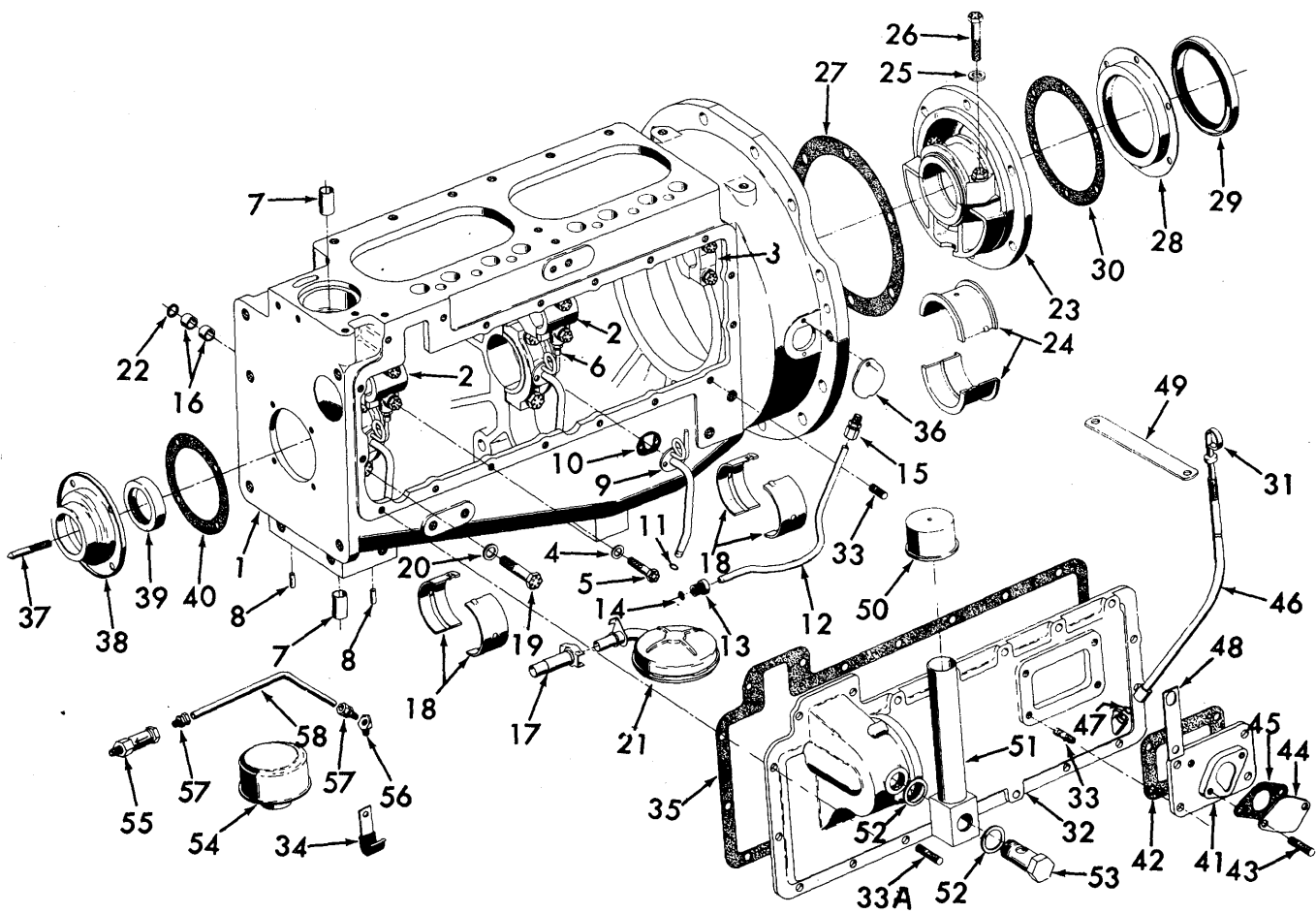
Accumulator.....	120	LP Gas Fuel Equipment.....	46-48-49
Air Cleaner.....	26-28	Manifolds, Engine.....	30
Alternator.....	56	Master Cylinder.....	98
Batteries and Boxes.....	58	Muffler.....	28-30
Battery Cables.....	59	Neutral Start Switch.....	72
Brakes.....	92	Oil Filter, Engine.....	50
Breather, Engine.....	12	Oil Filter, Transmission.....	78-80
Camshaft, Engine.....	14-16-18	Oil Lines and Fittings.....	120
Carburetor, Gasoline.....	32	Oil Pump, Engine.....	50
Carburetor, LP Gas.....	48	Overhead Guard.....	108
Clutches, Transmission.....	70	Paint.....	130
Coil, Ignition.....	54	Parking Brake.....	98
Connecting Rods, Engine.....	20-22-24	Pedals, Brake and Inching.....	94
Controls, Transmission.....	74-76	Pistons and Rings, Engine.....	20-22-24
Control Valve, Auxiliary Hydraulic.....	128	Power Steering Booster.....	106
Control Valve, Transmission.....	72	Pump, Converter.....	65-68
Control Valve, Mast.....	118	Pump, Fuel Injection, Diesel.....	34-36
Converter, Transmission.....	64	Pump, Hydraulic.....	114-116
Counterweight.....	108	Push Rods, Engine.....	14-16-18
Crankcase, Engine.....	4-6	Radiator.....	52
Crankshaft, Engine.....	20-22-24	Rocker Arms, Engine.....	14-16-18
Cylinder Blocks, Engine.....	8-10-12	Regulator, LP Gas.....	46-48
Cylinder Heads, Engine.....	8-10-12	Seat.....	112
Decals.....	130	Spark Plugs, Engine.....	54
Differential.....	86-90	Starting Aid, Diesel.....	34
Distributor, Ignition.....	54	Starting Motor.....	56
Drive Axle.....	86-90	Steering Axle.....	82-84
Fan, Engine.....	52	Steering Gear.....	102-104
Floor Plate.....	108	Tappets, Engine.....	14-16-18
Flywheel, Engine.....	20-22-24	Tail Lamp.....	60
Frame.....	108	Thermostat.....	52
Fuel Filter, Diesel.....	38-40	Throttle Controls.....	42
Fuel Injection Pump, Diesel.....	34-36	Tilt Cylinder.....	124-126
Fuel Pump, Gasoline.....	31	Transmission Case.....	64-66
Fuel Tank and Lines.....	45	Transmission Clutches, Shafts.....	70
Governor, Engine.....	44	Transmission Controls.....	74-76
Hand Primer, Diesel.....	38-40	Valves-Engine.....	14-16-18
Head Lamps.....	60	Voltage Regulator.....	56
Hood.....	112	Water Pump.....	52
Horn.....	56	Wheels, Front and Rear.....	100
Horn Button.....	103	Wiring Harness.....	62
Hydraulic Pump.....	114-116	Lamps, Head and Tail.....	60
Inching Linkage.....	96	Levers, Transmission Control.....	74-76
Instrument Panel.....	62	NUMERICAL INDEX.....	131-141

Ref. No.	Part No.	DESCRIPTION	No. Pcs.
	10R1072	Gasket Set - engine overhaul, gasoline and LP-Gas engines Consists of: 2 - E651 "O" Ring 1 - 10A 7201 Gasket 2 - FE296 Gasket 1 - 10A 7213 Gasket 9 - 10A 5956 "O" Ring 1 - 10A 9161 Gasket 1 - 10A 6005 Gasket 2 - 10A 13667 Gasket 1 - 10A 6009 Gasket 2 - 10A 20457 Gasket 1 - 10A 6015 Gasket 2 - 10A 20566 Gasket 1 - 10A 6020 Gasket 2 - 10A 20853 Gasket 1 - 10A 6025 "O" Ring 1 - 10A 20947 "O" Ring 4 - 10A 25988 Gasket 1 - 10A 21319 Gasket 1 - 10A 6398 Gasket 1 - 10A 21453 Gasket 1 - 10A 6418 Gasket 1 - 10A 21533 Gasket 4 - 10A 6425 Washer 1 - 11A 21466 Gasket 1 - 10A 6427 Gasket 2 - 35A 2258 Gasket 1 - 10A 6829 Gasket 2 - 50A 4325 Gasket 1 - 10A 6849 Gasket 4 - 10A 21650 Seal	1
	10R1059	Gasket Set - valve grinding, gasoline and LP-Gas engines Consists of: 4 - 10A 5956 Seals 1 - 10A 6015 Gasket 1 - 10A 6005 Gasket 2 - 10A 13667 Gasket 1 - 10A 6009 Gasket 2 - 10A 20853 Gasket 4 - 10A 6425 Washer 4 - 10A 21650 Seal	1
	10R1125	Set, Gasket, engine overhaul, diesel engines , D206 Consists of: 2 - E651 "O" Ring 4 - 10A 21650 Seal, 2 - FE296 Gasket 1 - 10A 7213 Gasket 2 - 10A 5919 Gasket 1 - 10A 9161 Gasket 9 - 10A 5956 "O" Ring 1 - 10A 14110 Gasket 1 - 10A 6005 Gasket 2 - 10A 18186 Plate - inner 1 - 10A 6009 Gasket 2 - 10A 18187 Plate - outer 1 - 10A 6015 Gasket 2 - 10A 18188 Grommet 1 - 10A 6020 Gasket 2 - 10A 20457 Gasket 4 - 10A 25988 Gasket 2 - 10A 20853 Gasket 1 - 10A 6418 Gasket 1 - 10A 20947 "O" Ring 4 - 10A 6425 Washer 1 - 10A 21319 Gasket 1 - 10A 6427 Gasket 1 - 10A 21453 Gasket 1 - 10A 6829 Gasket 1 - 11A 21466 Oil Seal 1 - 10A 7201 Gasket 2 - 35A 2258 Gasket 2 - 50A 4325 Gasket	
	10R823A	Gasket Set - valve grinding, diesel engines , D206 Consists of: 2 - 10A 5919 Gasket 4 - 10A 21650 Seal 3 - 10A 5956 Gasket 1 - 10A 6009 Gasket 1 - 10A 6005 Gasket 1 - 10A 6015 Gasket 2 - 10A 20853 Gasket	1
	35R26	Gasket Set - transmission and differential overhaul Consists of: 1 - 35A 227 Gasket 1 - 35A 695 Packing 2 - 35A 230 Gasket 1 - 35A 852 Gasket 1 - 35A 310 Gasket 2 - 35A 2909 Gasket 1 - 35A 312 Gasket 1 - 10A 6829 "O" Ring 1 - 35A 317 Gasket 2 - 10A 9808 "O" Ring 1 - 35A 321 Gasket 2 - 10A 12012 "O" Ring 1 - 35A 337 Washer 6 - 50A 766 Ring 1 - 35A 367 Washer 2 - 50A 2883 Retainer 1 - 35A 378 Gasket 6 - 10A 7956 "O" Ring 1 - 35A 379 Gasket 2 - 35A 10677 Gasket 1 - 35A 10658 Gasket 1 - 35A 10654 Gasket	1

Ref. No.	Part No.	DESCRIPTION	No. Pcs.
		CRANKCASE 220A, D206-4 and D236-4 Engines	
1	11B29242	Crankcase-assembly (11B19200), 220A and D206 engines.....	1
1	11B29639	Crankcase-assembly, D236 engine..... Each includes parts through Ref. #20:	1
		50A5231-Plug, expansion, 2-1/2".....	1
		50A4448-Plug, pipe, hex, soc., 3/8".....	2
	10A26070	Plug-pipe, hex, head, 3/4" (magnetic).....	1
		50A4555-Bushing, reducer, 1/4" to 1/8".....	1
		50A4445-Plug, hex, socket, 1/8".....	2
		GM271552-Bolt, hex, 5/8"-11 x 3/4".....	1
		50A4321-Gasket, copper, 5/8".....	1
2	10A20461	Cap-bearing, camshaft, front and center, (ream after assembly).....	2
3	10A6381	Bearing-camshaft, rear, 220A and D206.....	1
3	10A25084	Bearing-camshaft, rear, D236.....	1
4	10A20552	Washer-bolt, camshaft bearing.....	6
5		50A2077-Bolt, hex, lock, 3/8"-16 x 1-3/4".....	6
6	10A20527	Connector-oil tube to front and center crankshaft bearing...	2
7	10A6380	Bushing-oil pump shafts.....	2
8	10A6376	Pin-dowel, oil pump.....	2
9	10A20464	Tube-oil, front and center crankshaft bearings..... 50A3985-Screw, rd. hd., 1/4"-20 x 5/8".....	2 4
10	10A20457	Gasket-crankshaft oil tube.....	2
11	E651	Seal-"O" ring, crankshaft oil tube, 1/4" I.D., 9/32" O.D. ..	2
12	10A20458	Tube-oil, rear crankshaft bearing.....	1
13	10A20459	Connector-rear oil tube (in crankcase).....	1
14	10A13257	Seal-"O" ring, connector, 7/16" O.D.	1
15		GM114806-Connector, tube, 5/16".....	1
16	10A9025	Bushing-governor shaft, 1/2" long, gasoline and LP-Gas.....	2
17	10A7484	Connector-float-o-screen, use with 10A2015.....	1
17-1	20-1005931	Connector-oil suction screen, use with 20-1005932..... 50A3784-Pin, cotter, 1/8" x 1-1/2".....	1 1
18	10R1182	Bearing-crankshaft, front and center, std., 220A and D206...	2
18	10R1247	Bearing-crankshaft, front and center, std., D236.....	2
19		50A1983-Bolt, self locking, 1/2"-13 x 2-1/2".....	4
20	10A6999	Washer-self locking bolt, 17/32" I.D.	4
	10A20608	Pointer-timing..... 50A4687-Screw, drive, No. 4 x 5/16".....	1 2
21	10A2015	Strainer-oil, float-o-screen.....	1
21-1	20-1005932	+Screen-oil suction (10A2015)..... +NOTE: When replacing a 10A2015 strainer with a 20-1005932 a 20-1005931 connector must also be used.	1
22	10A6025	Seal-oil, gov. shaft, 11/16" O.D., gas and LP Gas engines...	2
23	11B19409	Housing-rear crankshaft bearing..... Includes the following 2 parts: 50A3681-Bolt, hex, 1/2"-13 x 1-1/2".....	1 6
24	10B11775	Bearing-crankshaft, rear standard.....	1
25	10A5285	Washer-bearing cap bolt.....	2
26		50A1984-Bolt, self locking, 7/16" x 14 x 2-1/4".....	2
27	10A21319	Gasket-rear bearing housing.....	1
28	11A21466	Retainer-with oil seal, rear..... Includes the following part: 50A3986-Screw, rd. hd., 1/4"-20 x 1/2".....	1 6
29	10A21466	Seal-oil, rear retainer.....	1
30	10A6418	Gasket-oil seal retainer.....	1
31	11A19552	Dip Stick.....	1
32	10A16868	Cover-side..... 50A3666-Bolt, hex, 3/8"-16 x 1"..... 50A3667-Bolt, hex, 3/8"-16..... 50A1900-Nut, hex, 3/8"-16.....	1 9 5 4
33	10A9072	Stud-side cover, 3/8"-16 x 1-3/8".....	1-4



Ref. No.	Part No.	DESCRIPTION	No. Pcs.
CRANKCASE (Cont'd)			
33A	35A5453	Stud-side cover, 3/8"-16 x 1-3/4".....	3
34	15A15553	Clip-on stud bolt.....	2
35	10A21453	Gasket-side cover, 3/64" thick.....	1
36	10A11767	Cover-timing hole.....	1
		50A3986-Screw, rd. hd., 1/4"-20 x 1/2".....	1
37	10A16815	Stud-timing pointer, 5/16" x 2-3/4".....	1
		50A3730-Nut, hex, 5/16" -18	1
38	10A12699	Cover-front end of crankcase.....	1
		50A3653-Bolt, hex, 5/16"-19 x 1/2".....	3
39	10A12051	Seal-oil, for cover.....	1
40	10A6020	Gasket-oil seal cover.....	1
41	RE174B	Adapter-fuel pump, gasoline and LP-Gas engines.....	1
		50A4445-Plug, pipe, 1/8", gasoline and LP-Gas engines.....	1
	10A9159	Cover-side, fuel pump opening, diesel engine (RE174).....	1
42	10A9161	Gasket-adapter to side cover.....	1
43	JEL30	Stud-adapter, fuel pump to side cover, 5/16" x 1-1/4".....	2
44	10A5097	Cover-fuel pump adapter, LP-Gas.....	1
45	10A6849	Gasket-cover to adapter, LP-Gas.....	1
46	11A16927	Pipe-extension, dipstick.....	1
		50A4455-Nut, lock, 1/8"-27 N.P.T.	2
47	10A20947	Seal-extension, "O" ring, 3/8" I.D., 1/2" O.D.	1
48	10A16003	Strap-pipe extension.....	1
49	10A16978	Support-pipe assembly.....	1
		50A3668-Bolt, hex, 3/8"-16 x 1-1/2".....	1
50	10A10401	Breather-standard crankcase ventilation.....	1
51	11A23247	Tube-breather and oil filler, std. crankcase ventilation....	1
52		50A4325-Gasket, bolt and adapter.....	2
51	11A24791	Tube-breather and oil filler, positive crankcase ventilation	1
		50A770 "O" Ring-tube, for 11A24791, 1-19/64" I.D., 1-1/2"	
		O.D.	1
53	10A16890	Bolt-breather tube.....	1
54	10A18921	Breather-positive crankcase ventilation.....	1
55	10A18718	Valve-intake manifold, positive crankcase ventilation.....	1
56		GM114930-Elbow, 5/16" x 90°.....	1
57		GM114806-Connector, tube, 5/16".....	2
58	10A18742	Tube-crankcase to manifold, positive crankcase ventilation..	1
58	10A26895	Tube-cover to manifold, positive crankcase ventilation, Gas.	1
58	10A26896	Tube-cover to manifold, positive crankcase vent., LP-Gas....	1
58	10A26897	Tube-cover to manifold, positive crankcase vent., D206 Diesel	1
		50A2473-Elbow, street, 1/4"-90°, valve to intake manifold,	
		LP-Gas.....	1
		GM140288-Connector, ball sleeve, 3/8", Diesel.....	1
		GM140306-Elbow, ball sleeve, 3/8", Diesel.....	1
	10R1072	Gasket Set-engine overhaul, gasoline and LP-Gas.....	1
	10R1125	Gasket Set-engine overhaul, D206 Diesel.....	1
	10R1270	Gasket Set-engine overhaul, D236 Diesel.....	1
58	20-3002438	Tube-cover to manifold, positive crankcase ventilation,	
		D236 Diesel.....	1



Ref. No.	Part No.	DESCRIPTION	No. Pcs.
		CYLINDER BLOCK AND CYLINDER HEAD Group I - Gasoline and LP Gas For 220A-4 Engines	
1	11B27084	Block - cylinder, with expansion plugs (11A20903)..... Includes the following part:	2
		50A4447 - Plug, pipe, socket head, 3/4" N.P.T.	2
		50A4430 - Valve, drain, 1/4".....	2
		50A4828 - Bolt, hex., 1/2"-13 x 3-3/4".....	6
		50A4831 - Bolt, lock, hex., 1/2"-13 x 4".....	5
2	10A6403 35A4423	Plug - expansion, 1-1/4"..... Stud - block to crankcase, 1/2"-13 x 1/2"-20 x 2-1/2"..... 50A4751 - Nut, hex., 1/2"-20 N.F.	4 6 6
3	10A5969	Plug - rear cylinder block and head.....	2
4	10A10007	Tube - between cylinder blocks and heads.....	2
5	10A5956	Seal - "O" ring, rear plug and center tube.....	6
6	10A20566	Gasket - cylinder block to crankcase.....	2
7	11B5858 11B5856A	Head - cylinder, gasoline..... Head - cylinder, LP gas..... Each includes the following 4 parts:	2 2
		50A955 - Plug, pipe, socket head, 1/2".....	1
11	10A551	Plug - expansion, 1-1/2".....	4
11	10A6403	Plug - expansion, 1-1/4".....	4
	10A5844	Insert - exhaust valve.....	4
	10A27221	Guide - valves, intake and exhaust (pre-reamed) (10A21645)..	8
	10A22769	Seat - valve spring, lower.....	8
12	10A13667	Gasket - cylinder head to cylinder block.....	2
	10A20904	Stud - cylinder block and head, 1/2" x 6-15/16", Gasoline....	6
	10A10758	Stud - cylinder block and head, 1/2" x 6-3/4", LP Gas.....	6
	10A5937	Stud - cylinder block and head, 1/2" x 5-13/16".....	4
13	10A5936	Stud - cylinder block and head, 1/2" x 5-7/16".....	4
14	10A5938	Stud - cylinder block and head, 1/2" x 6-7/16", LP Gas.....	4
15	10A21534	Stud - cylinder block and head, 1/2" x 5-7/8", (older models). 50A4881 - Bolt, hex., 1/2"-13 x 5-1/4", Gasoline & LP Gas.... 50A5557 - Bolt, hex., 1/2"-13 x 5-1/2", Gasoline	4 4 4 4
		50A4879 - Bolt, hex., 1/2"-13 x 5", LP Gas.....	4
		50A5572 - Nut, hex., 1/2"-20 (Grade 8).....	18
15A	10A6999	Washer - stud, 17/32" I.D., 7/8" O.D.	15
16	10A10045	Adapter - cylinder head to cover..... 50A3669 - Bolt, hex., 3/8"-16 x 1-3/4".....	1 2
17	10A6009	Gasket - adapter to cylinder head.....	1
18	10A16836	Cover - cylinder head (older models).....	1
18	11A26894	Cover - cylinder head, with opening for crankcase ventilator. 50A3742 - Nut, hex. jam, 3/8"-16.....	1 4
19	10A6425	Washer - copper, cylinder head cover.....	4
20	10A6005	Gasket - cylinder head cover.....	1
21	10A5946	Stud - cylinder head cover, 3/8" x 5"..... 50A1900 - Nut, hex., 3/8"-16.....	4 4
22	10A9020 10A10804	Spacer - cylinder head cover, 7/16" x 1"..... Eye - lifting, on cylinder head studs.....	4 4 1