

PARTS CATALOG

R-2230A

SERIAL NUMBERS

GASOLINE AND LP-GAS

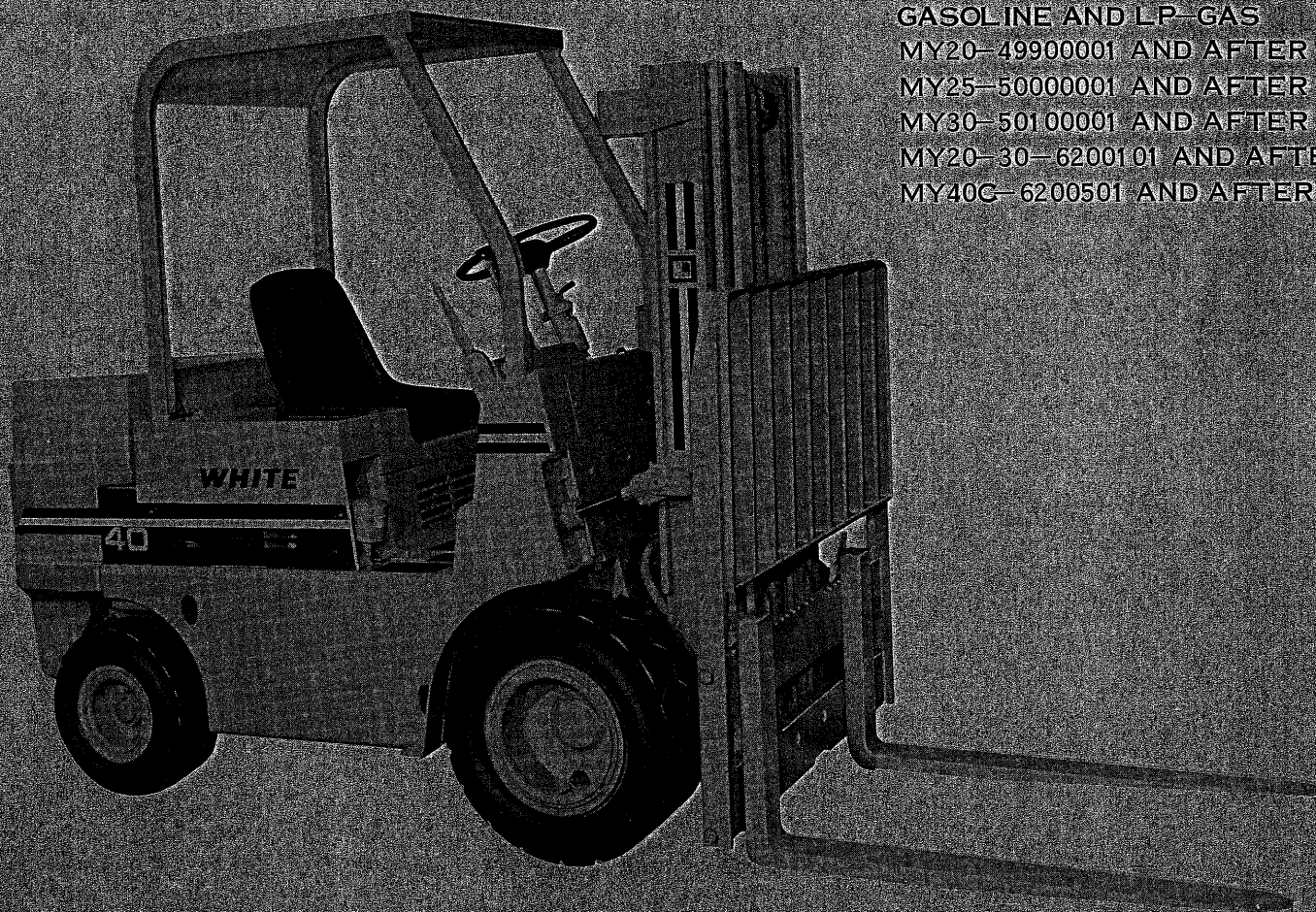
MY20-49900001 AND AFTER

MY25-50000001 AND AFTER

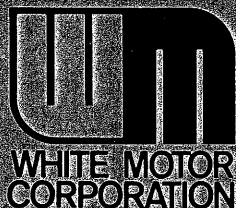
MY30-50100001 AND AFTER

MY20-30-6200101 AND AFTER

MY40C-6200501 AND AFTER



MY20, 25, 30 AND 40C FORK LIFT TRUCKS



White Materials Handling

A SUBSIDIARY OF WHITE MOTOR CORPORATION

HOPKINS, MINNESOTA 55343



QUICK REFERENCE CHART

Ref. No.	Part No.	DESCRIPTION	No. Pcs.
OIL, FUEL AND AIR FILTERS			
	35A5533	Element-engine oil and trans. fluid (3 per pkg.).....	2
	10P1873	Element-air cleaner (standard).....	1
	20-7300768	Element-air cleaner (Cyclopac).....	1
	35P1497	Element-oil strainer, in transmission.....	1
	35A698	Strainer-oil, in hydraulic tank.....	1
	35P2997	Pack-filter, LP-Gas.....	1
IGNITION SYSTEM			
	20-7000695	Plug-spark, Champion J-8, 10 per package.....	--
	20-7301496	Cap-distributor.....	1
	35P1761	Rotor-distributor.....	1
	35P1451	Points-contact, distributor.....	1
	35P1450	Condenser-distributor.....	1
	10P2703	Key-ignition switch for 10A18229.....	1
	20-7302541	Key-ignition switch for 20-3010814 anti-static switch	1
THERMOSTAT AND FAN BELT			
	40-1092902	Thermostat-engine thermostat control, 180°.....	1
	20-3005174	Belt-fan and alternator, 51" O.C.	1
ENGINE GASKET SET			
	40-2090651	Kit-gaskets, engine overhaul.....	1
	40-2090652	Kit-gaskets, valve grinding.....	1
	20-7301494	Kit-carburetor repair (gasoline).....	1
	35P3009	Kit-regulator repair, LP-Gas.....	1
HORN BUTTON ASSEMBLY			
	35A1066	Horn Button - assembly.....	1
TRANSMISSION AND BRAKE KITS			
	20-7380081	Kit-seals, transmission control valve.....	1
	35R139	Kit-gaskets, transmission overhaul.....	1
	35P1046	Kit-master cylinder repair, for 7/8" 35A8058.....	1
	35P922	Kit-master cylinder repair, for 1" 35A11330.....	1
	20-7301209	Kit-wheel cylinder repair, for 1-1/8" 20-7301206 & 07	2
	35P2200	Kit-wheel cylinder repair, for 1 1/4" 20-7300421	2
TILT CYLINDER KIT			
	20-7380007	Kit-seals, tilt cylinder.....	1
HYDRALIZER REPAIR AND SEAL KITS			
	20-7380115	Kit-repair, hydralizer.....	2
	20-7380116	Kit-seals, hydralizer.....	2
SEALANT			
	20-7301557	Sealant-inching nut, 30cc bottle.....	--

TABLE OF CONTENTS

<p>Accelerator Pedal.....C-12 Air Cleaners.....E-2,E-3 Alternator.....C-8 Axle - Drive.....A-11 Battery and Box.....C-8 Brakes.....A-19,A-20 Brake Linkage.....A-21,A-22 Camshaft, Engine.....F-10 Carburetor, Gasoline.....E-4 Carburetor, LP-Gas.....E-6 Clutches, Transmission.....A-14 Coil - Ignition.....F-2 Connecting Rods, Engine.....F-8 Controls, Transmission.....A-17 Control Valve, Aux. & Upright....D-9,D-12 Control Valve, Transmission.....A-15,A-16 Converter.....A-13 Counterweight.....C-3 Cowl.....C-4 Crankcase, Engine.....F-6 Crankshaft, Engine.....F-8 Cylinder Head, Engine.....F-9 Cylinder, Lift.....D-2 Cylinder, Power Steering.....B-3 Cylinder, Tilt.....D-13 Decals.....G-2 Differential.....A-7,A-10 Differential Cage.....A-9,A-10 Dipstick, Engine.....F-6 Dipstick, Hydraulic Tank.....C-2 Dipstick, Transmission.....A-12 Distributor, Ignition.....F-2 Drive Axle.....A-11 Engine Mounts.....C-2 Fan, Engine Cooling.....F-4 Filler, Fuel Tank.....F-4 Flashing Lamp.....C-11 Floor Plate.....C-2 Flywheel, Engine.....F-7 Frame.....C-2 Fuel Pump, Gasoline.....E-4 Gear Cover, Engine.....F-11 Governor, Engine.....E-4 Hood and Side Panels.....C-4 Horn.....C-7 Horn Button.....B-2 Hydralizers.....B-7 Hydraulic Oil Lines, Fittings....D-2,D-3 Hydraulic Pump.....D-4,D-5 Instruments.....C-6</p>	<p>Levers, Transmission Control.....A-17 Lift Cylinder.....D-2 Lights.....C-9,C-11 LP-Gas Equipment.....E-5,E-6 Manifolds, Engine.....F-3 Master Cylinder.....A-21,A-22 Master Disconnect Switch,GS,UL.....A-12 Motor, Power Steering.....B-3,B-4 Muffler.....F-3 Neutral Start Switch.....A-16 Oil Filter, Engine.....F-12 Oil Filter, Transmission.....A-18 Oil Pan, Engine.....F-11 Oil Pump, Engine.....F-12 Parking Brake.....A-21,A-22 Pistons, Engine.....F-8 Pump, Converter.....A-13 Pump, Hydraulic System.....D-4,D-5 Pump, Power Steering Flow Divider..D-4,D-5 Radiator.....F-4 Regulator, LP-Gas.....E-6 Rods, Connecting, Engine.....F-8 Seat.....C-5 Spark Plugs, Engine.....F-2 Starting Motor.....C-8 Steering Linkage.....B-6 Steer Pump, Motor and Lines.....B-3 Tail Lamp.....C-9 Tappets, Engine.....F-10 Thermostat, Engine.....F-4 Tilt Cylinders.....D-13 Tires, Drive Wheels.....A-11 Tires, Steer Wheels.....B-6 Transmission Case.....A-12 Transmission Clutches, Shafts.....A-14 Transmission Controls.....A-17 Upright Control Valve.....D-6,D-7,D-8 Valve, Upright Control.....D-6,D-7,D-8 Valves, Engine.....F-9 Water Pump.....F-5 Wide Profile Tires.....A-11 Wheels, Drive.....A-11 Wheels, Steer.....B-6 Wiring Harness.....C-7</p>
<p>Instruments.....C-6</p>	<p>NUMERICAL INDEX.....G-4,G-13</p>

F O R E W O R D

This catalog contains a complete list of parts for the lift truck. To assist in determining the part numbers and descriptions, the parts in this catalog are grouped according to their location on the lift truck. Reference numbers only are shown in each illustration. These numbers correspond to those in the reference number column in the list of parts which follows each "exploded view".

TYPICAL PARTS ARE SHOWN, AND MAY NOT ALWAYS BE IDENTICAL WITH CURRENT PARTS. REFER TO THE TEXT. "RIGHT OR LEFT" IS DETERMINED BY FACING TOWARD THE UPRIGHT FROM THE LIFT TRUCK SEAT.

To further assist in locating repair parts, the part numbers are arranged in numerical sequence and indexed at the rear of this catalog.

Component parts of assemblies are listed following the assembly itself and are identified as being part of the assembly by this notation following the description:

Consists of the following ... parts or Includes the following ... parts:

Part numbers only make up an assembly. Hardware items are not to be included.

Parts such as standard bolts, nuts, screws, washers, etc., are listed under the respective individual parts with which they are used. The quantity for many of the shims listed is shown as A.R. (as required). The correct amount of shims should be determined in order to get the proper clearance. Bolts and nuts listed are standard Grade 5, special grades will be shown in text. Order hardware thru Standard Fastner Program or purchase locally.

Occasionally new part numbers replace old numbers in the Part No. column. In those cases where the new number substitutes for the old number, the old number will be enclosed in parenthesis and it will appear at the end of the text in the description column.

When in need of repair parts, order from your local dealer. All parts orders should plainly specify your name, post office address, and whether shipment is to go by parcel post, express, or freight. Claims of shortage or breakage should be made to the transportation company on receipt of goods.

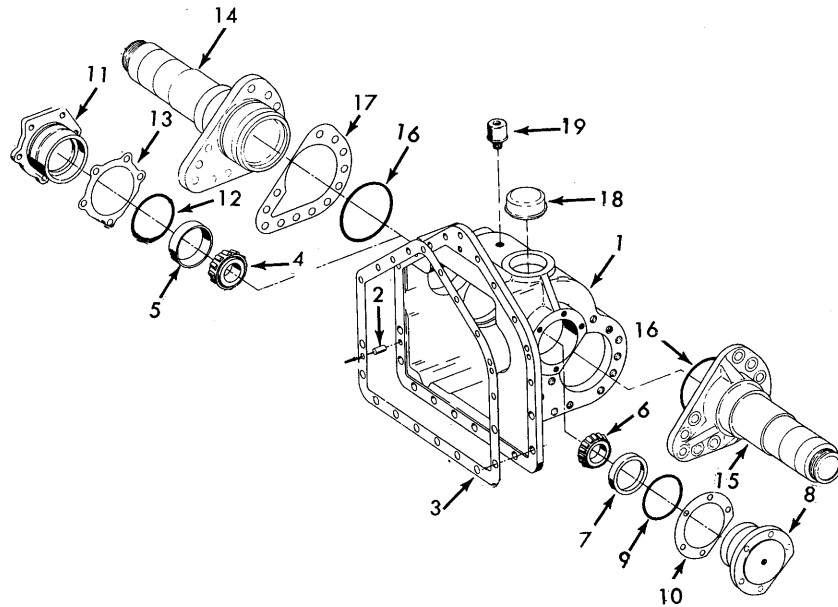
Before returning repair parts to the factory or parts depot, it is necessary to secure written permission from the Company authorizing the return of such parts. In the returning of repair parts be sure the package is tagged with your name and address. Prepay transportation charges.

It is the policy of the Company to improve its products whenever it is possible and practical to do so. We reserve the right to make changes or add improvements in the design or construction of parts at any time without incurring the obligation to install such changes on products previously delivered.

GROUPS

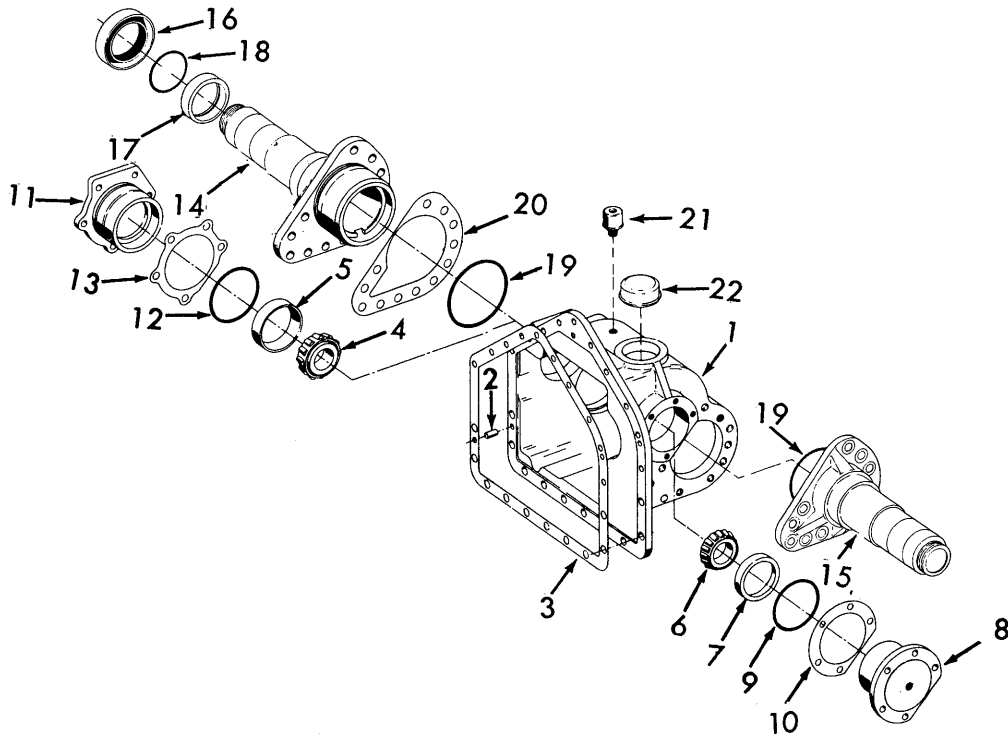
- A - Drive Wheels, Differential, Transmission and Brakes
- B - Steering, Hydralizer and Steer Wheels
- C - Frame, Driver Compartment and Wiring Harness
- D - Hydraulics
- E - Carburation and LP-Gas Systems
- F - Engine and Accessories
- G - Decals, Paint, Engine Oil, Hydraulic Oil and Index

Ref. No.	Part No.	DESCRIPTION	No. Pcs.
		GASKETS AND REPAIR KITS	
	40-2090651	Kit-gaskets, engine overhaul.....	1
	40-2090652	Kit-gaskets, valve grinding.....	1
	20-7301494	Kit-carburetor repair, gasoline.....	1
	35P3009	Kit-regulator repair, LP-Gas.....	1
	35P1046	Kit-master cylinder repair, for 7/8", 35A8058.....	1
	35P922	Kit-master cylinder repair, for 1", 35A11330.....	1
	20-7301209	Kit-wheel cylinder repair, for 1-1/8, 20-7301206 & 07.	2
	35P2200	Kit-wheel cylinder repair, for 1 1/4", 20-7300421.....	2
	20-7380007	Kit-tilt cylinder repair.....	2
	20-7380073	Kit-repair, hydraulic pump.....	1
	35A11110	Kit-seals, hydraulic valve sections (Gresen).....	AR
	35R139	Kit-gasket, transmission overhaul..... Consists of the following:	1
		7-10A3397 Washer 1-35A12506 Gasket	
		3-10A7956 O-Ring 1-35P613 Seal	
		1-35A317 Gasket 1-50A767 O-Ring	
		3-35A341 Ring 1-50A768 Ring	
		1-35A993 Ring 1-50A961 O-Ring	
		1-35A5192 Gasket 1-50A1745 Washer	
		1-35A5439 Shim 1-50A1763 O-Ring	
		1-35A10947 Gasket 7-50A1829 Stat-o-seal	
		1-35A7304 Gasket 5-50A2878 O-Ring	
		1-35A12294 Shim 1-20-3000701 Ring	
	20-738081	Kit-seals, transmission control valve..... Consists of the following:	1
		7-20-3009707 O-Ring 2-104881A Seal	
		1-10A16405 O-Ring 1-35A8008 Seal (old)	
		2-10A16329 Seal 1-35A12506 Gasket	
		1-941880 O-Ring	
	20-7380115	Kit-repair, hydralizer..... Consists of the following:	2
		1-20-3009347 Bushing 1-35A5174 Seal	
		1-20-3009395 Seal 1-50A1727 O-Ring	
		1-20-3009695 Bushing	
	20-7380116	Kit-seals, hydralizer..... Consists of the following:	2
		1-35A5174 Retainer 1-20-3009528 Seal	
		1-35A6404 Seal (old) 1-50A1727 O-Ring (new)	
		1-20-3009395 Seal (new) 1-50A1760 O-Ring (old)	



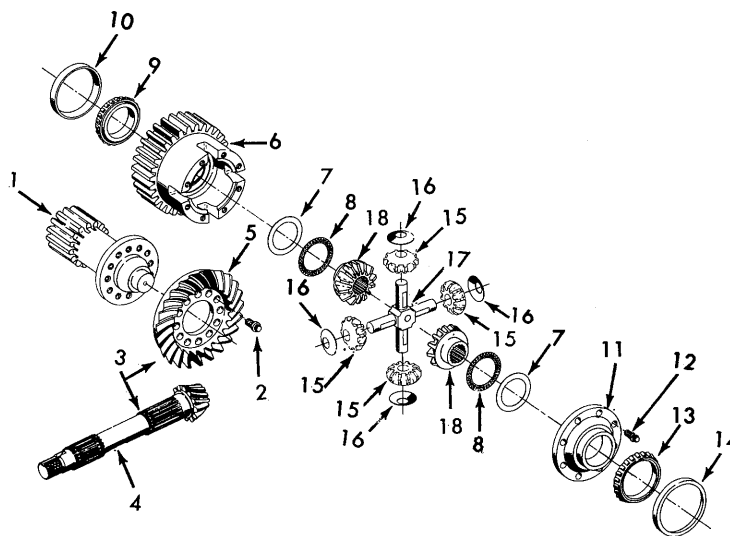
DIFFERENTIAL CASE AND HOUSINGS
GROUP I - MY20-30 TO SERIAL NO.6200500 INC.

Ref. No.	Part No.	DESCRIPTION	No. Pcs.	Ref. No.	Part No.	DESCRIPTION	No. Pcs.
1	20-7370034	Case-differential	1	10	35A5441	Shim-cap, RH, .003	AR
		Inc.Ref.#2:		10	20-3010328	Shim-cap, RH, .010	AR
	50A1440	Bolt-12pt.3/8-16x1	5	11	20-3011121	Cap-bearing, LH	1
	50A1441	Bolt-12pt.3/8-16x1½	6		50A3666	Bolt-hex, 3/8-16x1	3
	50A4139	Set Screw-skt.hd.3/8-16x1	1		50A3667	Bolt-hex, 3/8-16x1½	2
	50A5038	Stud-3/8x1-3/4	6	12	50A1744	O-Ring-cap	1
	50A1900	Nut-hex, 3/8-16	7	13	35A8241	Shim-cap, LH, .002	AR
	50A1642	Bolt-12pt.½-13x1	8	13	35A8242	Shim-cap, LH, .003	AR
2	10A11543	Pin-dowel, 3/8x3/4	2	13	35A8243	Shim-cap, LH, .005	AR
3	20-3001592	Gasket-case	1	14	20-3001326	Housing-axle, LH	1
4	10A7059	Cone-bearing, LH	1	15	20-3001325	Housing-axle, RH	1
5	EB5026	Cup-bearing, LH	1		50A1642	Bolt-12pt.½-13x1, RH/LH	22
6	10A7051	Cone-bearing, RH	1	16	941669	O-Ring-housing to case	2
7	10A7052	Cup-bearing, RH	1	17	35A5448	Shim-housing, .002	AR
8	20-3011120	Cap-bearing, RH	1	17	35A5447	Shim-housing, .003	AR
9	50A1743	O-Ring-cap	1	17	35A5446	Shim-housing, .005	AR
	50A3666	Bolt-hex, 3/8-16x1	5	17	35A8711	Shim-housing, .020	AR
10	35A5442	Shim-cap, RH, .002	AR	18	1147770	Plug-inspection, 2½ dia.	1
				19	35A5891	Breather-case, ¼	1



DIFFERENTIAL CASE AND HOUSINGS - GROUP II
MY20-40C SERIAL NO. 6200501 AND AFTER

Ref. No.	Part No.	DESCRIPTION	No. Pcs.	Ref. No.	Part No.	DESCRIPTION	No. Pcs.
1	20-7370036	Case-diff.	1	10	20-3010328	Shim-cap,RH,.010	AR
		Inc.Ref.#2 and plug:		11	20-3011121	Cap-bearing,LH	1
	50A1164	Bolt-12 pt.½-13x1¼	8	12	50A1744	O-Ring-3-7/16 O.D.	1
	50A1441	Bolt-12 pt.3/8-16x1¼	6		50A3666	Bolt-hex,3/8-16x1	5
	50A4139	Screw-skt.hd.3/8-16x1	1	13	35A8241	Shim-cap,LH,.002	AR
	50A5038	Stud-3/8-16-1-3/4	6	13	35A8242	Shim-cap,LH,.003	AR
	50A1900	Nut-hex,3/8-16	7	13	35A8243	Shim-cap,LH,.005	AR
2	10A11543	Pin-dowel,3/8x3/4	2	14	20-3009773	Housing-axle,LH	1
	50A6022	Plug-hex,3/4-14	1	15	20-3010275	Housing-axle,RH	1
3	20-3001592	Gasket-case to trans,.015	1		50A1642	Bolt-12 pt.½-13x1	22
4	10A7059	Bearing-LH	1	16	20-3001162	Seal-housing,outer end	2
5	EB5026	Cup-bearing,LH	1	17	20-3001317	Sleeve-hsng.13/16x3¼	2
6	10A7051	Bearing-RH	1	18	941539	O-Ring-sleeve,2-47/64 OD	2
7	10A7052	Cup-bearing,RH	1	19	941669	O-Ring-hsng.4½ O.D.	2
8	20-3011120	Cap-bearing,RH	1	20	35A5448	Shim-hsng.LH,.002	AR
9	50A1743	O-Ring-3-3/16 O.D.	1	20	35A5447	Shim-hsng.LH,.003	AR
	50A3666	Bolt-hex,3/8-16x1	5	20	35A5446	Shim-hsng.LH,.005	AR
10	35A5442	Shim-cap,RH,.002	AR	20	35A8711	Shim-hsng.LH,.020	AR
10	35A5441	Shim-cap,RH,.003	AR	21	35A5891	Breather-hsng.¼	1
				22	1147770	Plug-hsng.2-11/16 dia.	1



BULL PINION SHAFT AND DIFFERENTIAL GAGE
GROUP I - MY20-30 TO SERIAL NO.6200500 INC.

Ref. No.	Part No.	DESCRIPTION	No. Pcs.	Ref. No.	Part No.	DESCRIPTION	No. Pcs.
1	35A9959	Shaft-bull pinion,14 T.	1	10	162688A	Cup-cage,LH(35A8238)	1
2	20-3000435	Bolt-12pt.7/16-14x7/8	12	11	20-3001148	Cover-cage	1
3	20-6007679	Ring Gear-w/pinion,set Inc.Ref.#7 & 8:	1	12	35A12566	Bolt-12pt.3/8-16x3/4	8
4	35A7803	Shaft-pinion,8 teeth	1	13	20-3001163	Bearing-cage,RH	1
5	35A7819	Gear-ring,25 teeth	1	14	TM9128	Cup-bearing,cage,RH	1
6	20-3009334	Cage-w/bull gear,29 T.	1	15	35A9451	Pinion-cage,12 T.	4
7	35A7814	Race-brg.thrust,2-23/32	2	16	20-3006635	Washer-thrust (35A7813)	4
8	31-1570590	Bearing-thrst.(35A7815-I)	2	17	35A7809	Shaft-pinions	1
9	162687A	Bearing-cage,LH(35A8237)	1	18	20-3000964	Gear-bevel,18 T.23 splns.	2