

White Fork Lift Msb Series Lift Trucks Parts Catalog

Full download: <http://manualplace.com/download/white-fork-lift-msb-series-lift-trucks-parts-catalog/>

SUPPLEMENT "A" TO REPAIR CATALOG R-2145

FOR

MSB SERIES

FORK LIFT TRUCKS



GROUP INDEX

	Page
Brakes - Self Adjusting.....	12-13
Drive Wheels for Self Adjusting Brakes	11
Linkage for Self Adjusting Brakes	12-13
LP-Gas Equipment	3-4-5
Power Steering.....	6
Power Steering Valve	6-8

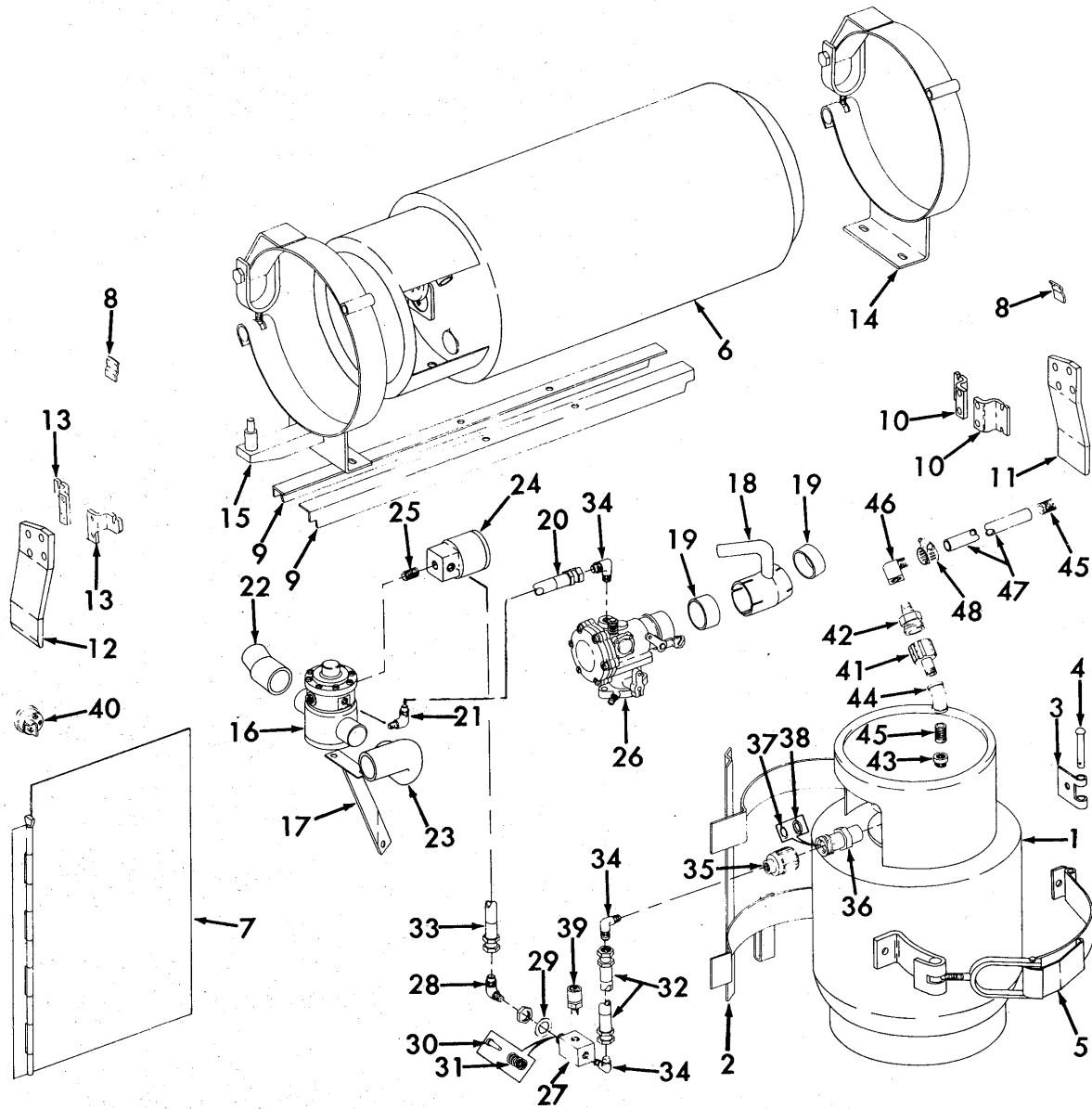
White Materials Handling Division
WHITE MOTOR CORPORATION
HOPKINS, MINNESOTA 55343



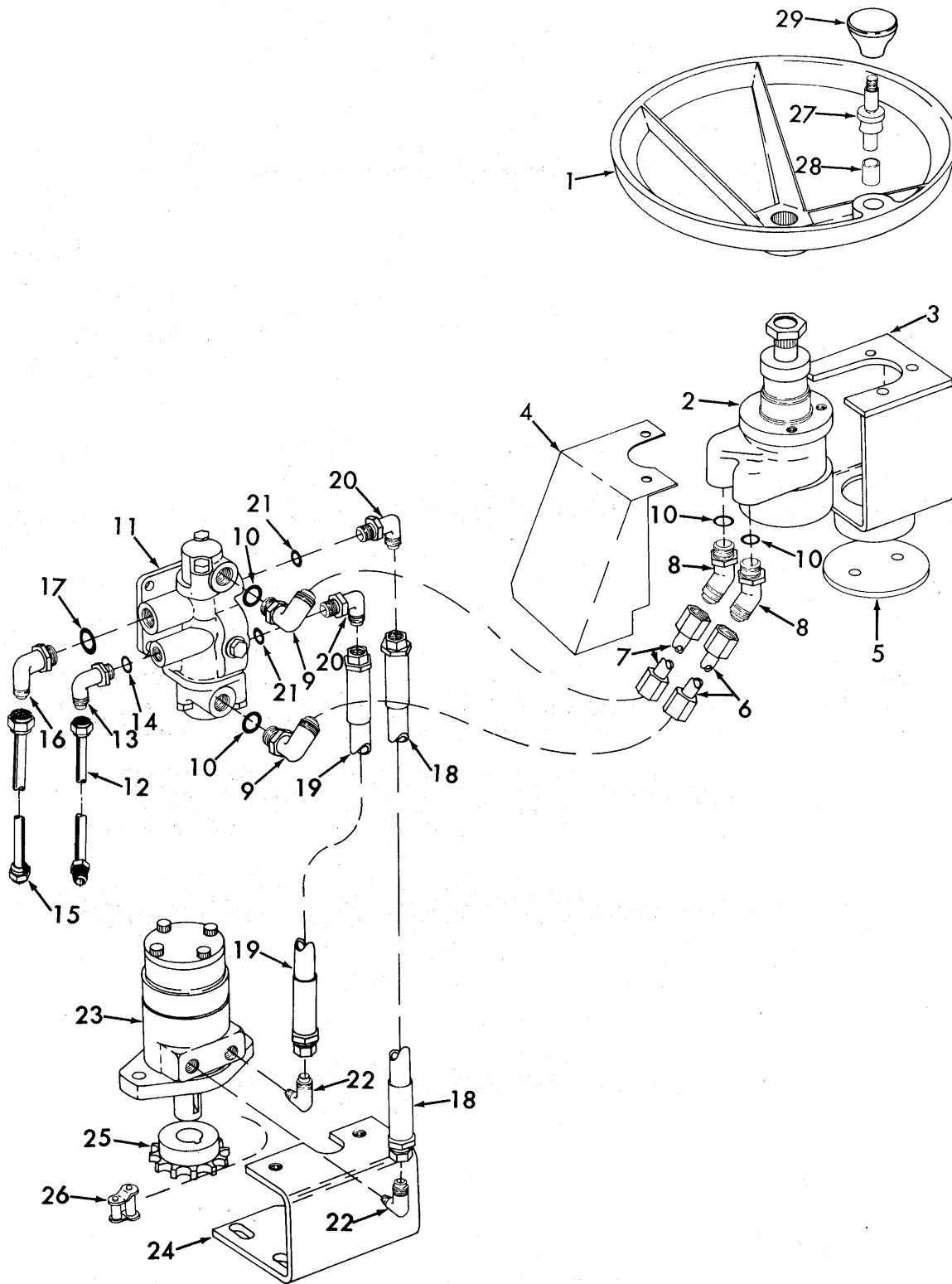
Ref. No.	Part No.	DESCRIPTION	No. Pcs.	
		<p>This supplement is to be used in conjunction with Repair Catalog R-2145 on MSB Series Fork Lift Trucks. Refer to this supplement for changes plus new additions. Power Steering, self adjusting brakes and other changes are included.</p>		
Page 4		<p>Refer to Cylinder Block, Head Assembly and Intake Manifold Group. Change Ind. Ford No. 405585 bearing (ref. #3) to 444025. Change Ind. Ford No. 405587 bearing (ref. #4) to 444028. Omit 35P2429 plug (ref. #11), not used. Change quantity of 35P2430 plug (ref. #12) from 2 to 3. Omit 35P2391 plug, not used. Change Ind. Ford No. C3AZ-10884-A unit to C3TZ-10884-A.</p>		
Page 6		<p>Refer to Crankshaft, Main Bearings, Camshaft Group. Omit all ref. #3 and 4 bearings and add:</p>		
	3	35R123	436090 Bearing - crankshaft, center, std., red, 2 halves	1
	3	35R124	436091 Bearing - crankshaft, center, .0005 U.S., blue, 2 halves	1
	3	35R125	436093 Bearing - crankshaft, center, .0098 (.25 mm U.S.) 2 halves	1
	4	35R126	436083 Bearing - crankshaft, front and rear, std., red, 2 halves	2
	4	35R127	436084 Bearing - crankshaft, front and rear, .0005 U.S., blue, 2 halves..	2
	4	35R128	436394 Bearing - crankshaft, front and rear, .0098 U.S., (25 mm), 2 halves	2
			Change 425627 pulley (ref. #25) to 425939.....	
Page 8		<p>Refer to Piston and Connecting Rod Group. Omit all ref. #2 bearings and add:</p>		
	2	35R129	405654 Bearing - connecting rods, std., red, 2 halves.....	4
	2	35R130	405656 Bearing - connecting rods, .0005 U.S., blue, 2 halves	4
	2	35R131	405660 Bearing - connecting rods, .0098 U.S., (25 mm), 2 halves.....	4
			Omit 35P2411 Kit - ref. #5 (not repairs)	
Page 14-15		<p>Refer to Fuel Filter and Fuel Pump Group. Omit 35P2366 bolt (ref. #5), not used. Change Ind. Ford No. 207167 spring (ref. #22) to 407167 (Correction). Omit ref. #29 from washer in illustration, push rod, fuel pump, (#29, not illustrated.)</p>		
Page 18		<p>Refer to Engine Oil Filter Group. Omit 50A4556 bushing (ref. #7) Change 50A4413 elbow (ref. #8) to 50A1909 and size to 3/8".</p>		
Page 20		<p>Refer to Starter Group Change 35P2610 (204736) nut (ref. #6) to 35A10494. Change Ind. Ford No. 425709 armature (ref., # 18) to 541709.</p>		
Page 22		<p>Refer to Distributor assembly and Mounting Parts Group. Change Ind. Ford No. 425979 spring (ref. #7) to 444249. Change Ind. Ford No. 425605 unit (ref. #15) to 425606 (correction).</p>		
Page 24		<p>Refer to Radiator, Fan, Thermostat Housing Group. Change Ind. Ford No. 21074-GS8 bolt (ref. #11) to 201336. Add Ind. Ford No. 405898 to 35A9816 hose (ref. #19). Change 50A4296 clamp to 50A4297 and size to 1-1/8". Change 35P2380 bolt (ref. #22) to 35A9948, (same as).</p>		

Ref. No.	Part No.	DESCRIPTION	No. Pcs.
Page 26		Refer to Carburetor - Gasoline Engine Group. Change Ind. Ford No. 405842 gasket (ref. #31) to 425713.	
Page 28		Refer to Wiring Harness, Alternator, Horn and Battery Group. Add note to 35A9931 wire (ref. #5), used with Ford gauges. Change 35P2367 Spark Plug Ind. Ford AE22 to AC No. 42 FS.	
23	35P2742	Spark Plug - engine, hot plug (Auto Lite AE32 special) Change 35A9843 bar (ref. #26) to 11A26776 (35A9843). Change 35A8248 regulator (ref. #29) to 10P3009 (same as).	4
Page 31		Refer to Instrument Panel and Instrument Group. Change 35A4770 wire (ref. #6) to 35A8195 and description hourmeter ground. Change Ind. Ford No. C3TZ-10883-A unit (ref. #10) to C3TZ-10884-A. Change Ind. Ford No. B9MZ-10804A Transformer (ref. #13) to B9NZ-10804-C. Add a single asterisk to 35A9928 gauge (ref. #9) thru 35A9931 wire (ref. #14). *Note: Used on MSB Series Lift Trucks with Ford Gauges. Add the following parts for MSB Series Fork Lift Trucks with Stewart-Warner Gauges.	
9	35A7737	**Gauge - water temperature	1
10	35A10522	**Unit - temperature	1
11	35A10523	**Gauge - oil pressure	1
12	10A25377	**Unit - oil pressure sending..... ** 50A4555 Bushing - reducer, 1/4" x 1/8"	1
		** Note: Used on MSB Series Fork Lift Trucks with Stewart-Warner Gauges	
		LP-GAS EQUIPMENT	
1	35A5033	*Tank - with fittings, 20 lb., (Pressed Steel Tank Co., Model V20L)	1
2	36A5035	*Support - tank	1
		50A3666 Bolt - hex., 3/8"-16 x 1"	2
		50A1900 Nut - hex., 3/8"-16.....	2
		50A4205 Washer - plain, 7/16" I.D., 1" O.D.	2
3	35A4961	*Hinge - support	2
4	15A5346	*Pin - hinge	2
		*GM177923 Pin - cotter, 1/8" x 3/4"	2
5	35P1774	*Clamp - tank, (35A4959 Inter.).....	1
	35A10155	*Hose - assembly, vaporizer to filter	1
		*Note: Used on LP-Gas equipped trucks with 20 # tank.	
6	D1186	**Tank - with fittings, 33-1/2 lb., (Pressed Steel Tank Co., Model H33L)	1
7	36A8296	**Door - tank service.....	1
8	35A8297	**Guide - hood, 1" x 1-1/4"	2
9	35A8298	**Brace - hood, 1-1/4" x 29-1/4".....	2
10	35A8299	**Guide - hood support, R.H., 3/4" offset, 2" x 2-1/4".....	2
11	35A10178	**Support - side member, R.H., offset, 3/8" x 3" x 7-7/8".....	1
12	35A10179	**Support - side member, L.H., offset, 3/8" x 3" x 7-7/8"..... ** 50A3664 Bolt - hex., 3/8"-16 x 3/4"..... ** 50A3666 Bolt - hex., 3/8"-16 x 1"..... ** 50A1900 Nut - hex., 3/8"-16..... ** 50A3668 Bolt - hex., 3/8"-16 x 1-1/2".....	4 8 12 1
13	35A10177	**Guide - hood support, L.H., 3/4" offset, 2" x 2-1/4".....	2
14	35P508	**Strap - mounting, fuel tank, left hand	1
15	35P516	**Strap - mounting, fuel tank, right hand	1
		** 50A3922 Screw - flat head, slotted, 3/8"-16 x 1".....	4
		** 50A1900 Nut - hex., 3/8"-16.....	4
		** 50A4205 Washer - plain, 7/16" I.D., 1" O.D.	4
		**Note: Used on LP-Gas equipped trucks with 33-1/2 lb. tank.	

Ref. No.	Part No.	DESCRIPTION	No. Pcs.
LP-GAS EQUIPMENT (Cont'd)			
16	35A10211	Vaporizer - assembly, (Zenith No. G57)	1
	35P2255	Kit - repair, vaporizer, (includes seals, diaphragm, springs and valves) ..	1
17	36A9927	Mount - vaporizer	1
		50A3647 Bolt - hex., 1/4"-20 x 7/8"	2
	35A10880	Bracket - vaporizer mount, 7/8" x 7-5/8" long	1
18	36A9928	Adapter - carburetor to air cleaner	1
		50A4285 Clamp - hose, 1-3/8"	2
		50A4289 Clamp - carburetor, 2-1/4"	1
		50A4554 Bushing - reducer, 3/8" to 1/8"	1
19	35A9563	Band - adapter, 2" O.D. x 1" long	2
20	35A10157	Hose - vaporizer to carburetor, 3/8" I.D. x 11" long	1
21		50A5119 Elbow - vaporizer, 3/8" N.P.T. x 90° with 45° flare	1
22	35A10158	Hose - engine to vaporizer, 1-1/4" x 1-1/2" I.D. x 3-1/2" long	1
23	35A10159	Hose - vaporizer to radiator, 1-1/4" x 1-1/2" I.D. x 85°	1
24	35P1084	Solenoid - 12 volt	1
25		50A4450 Nipple - pipe, close, 1/4" N.P.T. x 7/8"	2
		50A2492 Elbow - street, 1/4" N.P.T. x 90°, 45° flare	1
26	35A10212	Carburetor - LP-Gas, (Zenith PC2J10)	1
	35P2256	Kit - repair, carburetor, (includes seals, "O" rings and idle adjusting needle)	1
	35A10220	Stud - carburetor, 5/16"-18 x 3-3/8"	2
		50A3730 Nut - hex., 5/16"-18	2
27	35P514	Bulkhead - filter	1
		Includes the following 2 parts:	
28		50A4386 Elbow - filter, 1/4" N.P.T. x 3/8"	1
29		GM125700 Washer - lock, internal lock, 7/8"	1
30	35P1605	Element - filter	1
31	35P1608	Spring - filter	2
32	35A10155	Hose - assembly, filter to tank, 3/8" I.D. x 14-1/2" long	1
33	35A10156	Hose - assembly, vaporizer to filter, 33-1/2" #3/8" I.D. x 21" long	1
35	35P519	Coupling - hose to tank, female	1
36	35P517	Coupling - hose to tank, male	1
		Includes the following 2 parts:	
37	30A1701	"O" Ring - coupling	1
38	35P1769	Gasket - coupling	1
39	35P515	Valve - relief	1
40	35P525	Switch - oil pressure	1
		50A4571 Tee - pipe, oil filter	1
		50A2281 Connector - Tee, 1/2"	1
		50A1909 Elbow - oil filter, 3/8" x 90°	1
	10A2640	Wire - ignition switch and hydraulic switch to solenoid, 14 Ga. x 30"	3
41	35P1307	Coupling - relief valve, female	1
42	35P1308	Coupling - relief valve, male	1
43	35P1309	Adapter - relief valve	1
44		50A4601 Elbow - adapter, 3/8" N.P.T. x 45°	1
45		50A4451 Nipple - pipe, close, 3/8" N.P.T.	2
46		50A2476 Elbow - street, 3/8" N.P.T. x 90°	1
47	35P1311	Hose - relief valve	1
48	35P1310	Clamp - hose	1
	35A10017	Decal - instructions, LP-Gas, 2-15/64" x 4"	1



Ref. No.	Part No.	DESCRIPTION	No. Pcs.
POWER STEERING MOTOR, VALVE AND LINES			
1	35A10535	Wheel - steering	1
2	15A19223	Motor - steering, upper, see breakdown on page 8	1
3	36A9982	Mount - steering motor, upper	1
		50A3655 Bolt - hex., 5/16" -18 x 3/4".....	3
4	36A10582	Cover - steering motor, upper.....	1
5	35A10419	Holder - mount, 1/4" thick x 4" O.D.....	1
		50A3656 Bolt - hex., 5/16" -18 x 1"	2
6	10A26256	Tube - steering motor to valve, long, 1/2" O.D. x 11-5/16".....	1
7	10A26257	Tube - steering motor to valve, short, 1/2" O.D. x 6-3/8".....	1
8		50A5606 Elbow - motor, 45°, 3/4"-16 straight thread, 37° flared....	2
9		50A4424 Elbow - valve, 90°, 3/4"-16 straight thread, 37° flared	2
10	10A12012	"O" Ring - elbows, 41/64" I.D.	4
11	15A19226	Valve - assembly, see breakdown on page 8	1
		50A3667 Bolt - hex., 3/8" -16 x 1-1/4"	3
		50A1900 Nut - hex., 3/8" -16.....	3
12	10A26253	Tube - valve to pump.....	1
13		50A4423 Elbow - valve inlet, 90°, 9/16"-18.....	1
14	10A16405	"O" Ring - elbow, for 50A4423, 5/8" O.D.	1
15	10A26252	Tube - valve to transmission control hose.....	1
16		50A189 Elbow - valve, 90°-3/4"-16	1
17	10A12012	"O" Ring - elbow, 41/64" I.D.	1
18	35A10605	Hose - valve to steering motor, lower, 1/4" I.D. x 15".....	1
19	35A9168	Hose - valve to steering motor, lower, 1/4" I.D. x 17".....	1
20		50A4423 Elbow - valve, 90°, 9/16"-18.....	2
21	10A16405	"O" Ring - elbow, 41/64" I.D.	2
22		50A4413 Elbow - motor, 90°, 1/4" N.P.T.	2
		50A4557 Bushing - reducer, 1/2" to 1/4".....	2
23	35A10533	Motor - steering, (Char-Lynn No. D4P).....	1
		50A1642 Bolt - 12 PT., 1/2" x 1"	2
		Note: 35A10533 Motor should be serviced by Char-Lynn Service Shops.	
24	35A10499	Bracket - steering motor support, lower	1
		50A3680 Bolt - hex., 1/2" -13 x 1-1/4".....	3
		50A4212 Washer - plain, 17/32" I.D., 1-1/16" O.D.	3
25	35A10445	Sprocket - steering, on motor, 13 teeth	1
		50A4161 Set Screw - hex. socket, cup point, 1/4" x 1/2".....	1
		50A5154 Key - (Woodruff No. 15).....	1
26	15P929	Link - offset, 5/8" pitch	6
27	35A8613	Shaft - spinner, steering wheel.....	1
		50A4210 Washer - plain, 13/32" I.D., 13/16" O.D.....	1
		50A155 Nut - hex. (Nylock) 3/8"-24.....	1
28	35A4794	Bushing - spinner shaft	1
29	35A8295	Knob - spinner, steering wheel.....	1
		50A4887 Insert - knob.....	1



Ref. No.	Part No.	DESCRIPTION	No. Pcs.
		POWER STEERING MOTOR AND VALVE	
	15A19223	Motor - steering.....	1
		Includes the following 19 parts:	
1	35P51	Nut - steering wheel.....	1
2	15P1021	Bearing - needle.....	1
3	15P1022	Shaft - coupling.....	1
4	15P1023	Bearing - needle thrust.....	1
5	15P1024	Bearing - race.....	1
-	15P1025	Pin - spool.....	1
6	15P1026	Link - pump.....	1
7	15P1027	Pin - link.....	2
8	15P1028	Spacer.....	1
9	15P1029	Rotor Set.....	1
10	15P1030	Retainer - seal.....	1
11	15P1031	Seal - rotor.....	1
12	15P1032	Cover - end.....	1
13	15P1033	Bolt - hex., special, 5/16"-18 x 1-3/4".....	7
14	10P2988	Seal - shaft, with bronze washer and spacer.....	1
15	15P1035	Washer.....	1
16	10P1600	Ring - retainer.....	1
17	15P1037	Seal - water.....	1
18	15P1038	Bushing - felt.....	1
19	15A19226	Valve - assembly.....	1
		Includes the following 10 parts:	
20	-----	Spool - valve, not serviceable, order 15A19226 valve assy.	1
21	15P1036	Washer - centering, valve spool.....	2
22	15P1039	Spring - centering, valve spool.....	1
23	15P1040	Screw - centering, valve spool.....	1
24	15P1041	Cap - ends, valve.....	2
		50A3664 Bolt - hex., 3/8"-16 x 2".....	4
25	15P1042	Seal - "O" ring, cap.....	2
26	15P1043	Plug - boss, includes "O" ring.....	1
27	15P1044	Seal - "O" ring, boss plug.....	1
28	15P1045	Plug - roll pin, assembly.....	1
		Includes the following 2 parts:	
29	15P1046	Seal - "O" ring, plug.....	1
30	15P1047	Pin - roll.....	1
31		50A4263 Ball - steel, 1/4" dia.	1