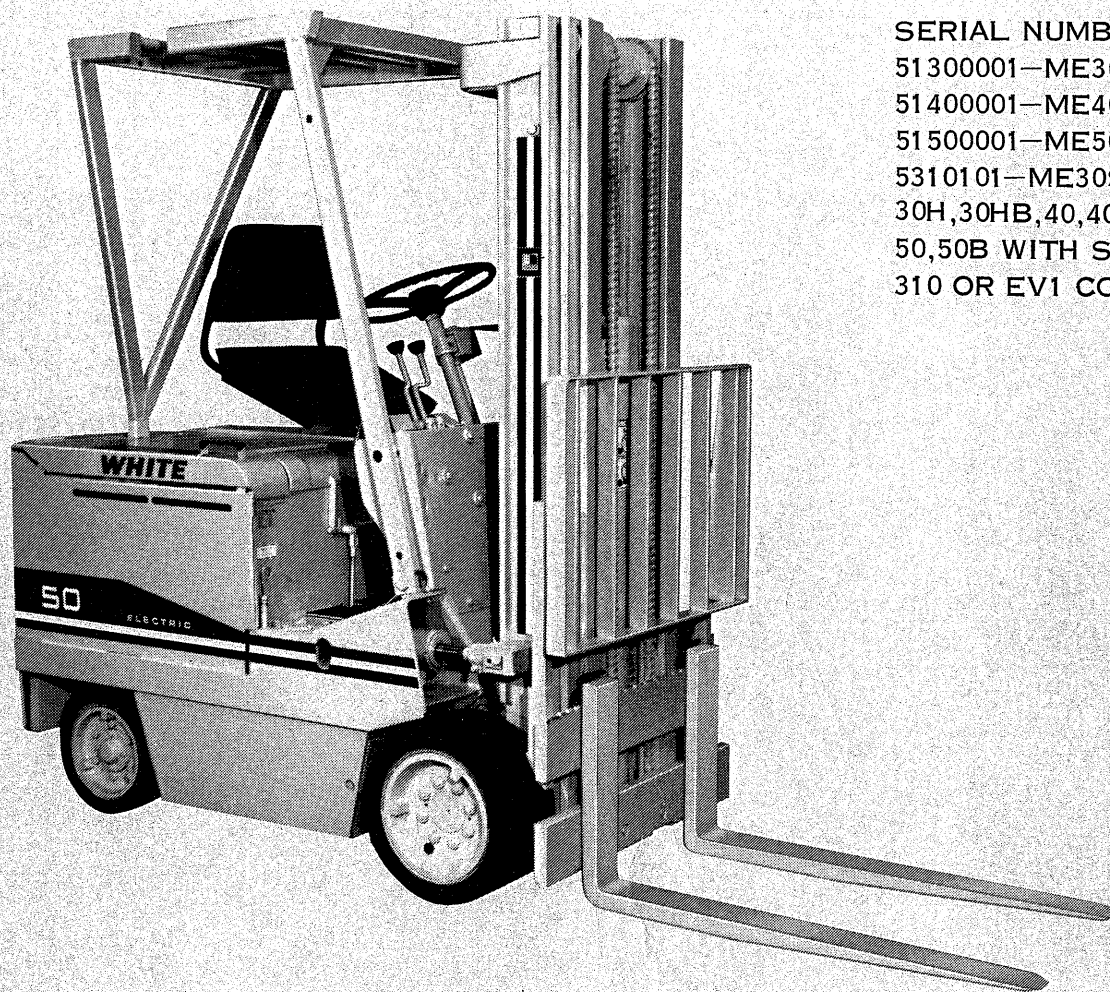


# PARTS CATALOG

R-2235A



## SERIAL NUMBERS

51300001—ME30

51400001—ME40

51500001—ME50

5310101—ME30S,

30H,30HB,40,40B,

50,50B WITH SCR

310 OR EV1 CONTROL

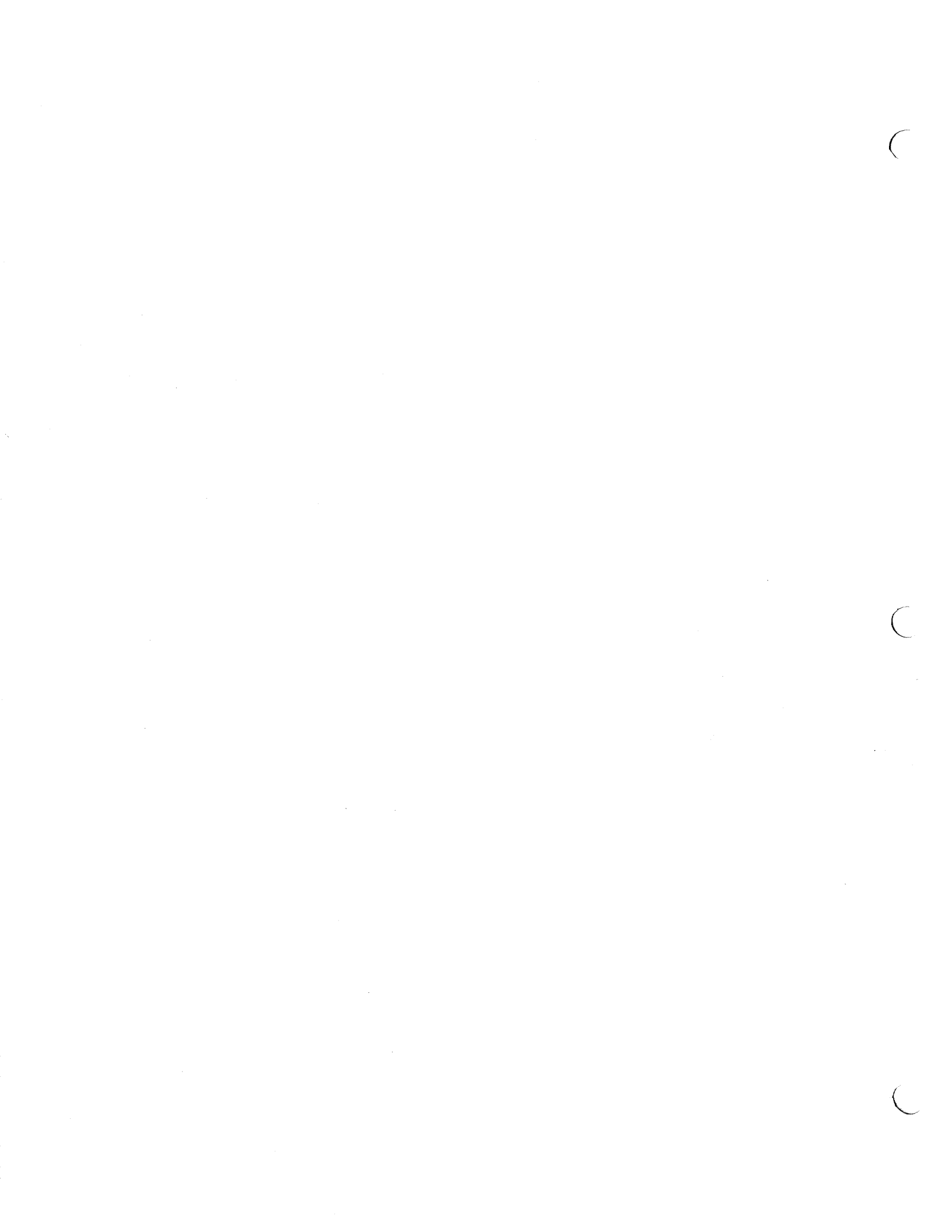
<sup>40</sup>  
**ME30 - 50 AND ME30S - 50B**  
**"ELECTRIC" FORK LIFT TRUCKS**

**White Lift Trucks**

HOPKINS, MINNESOTA 55343

Ref. No.	Part No.	DESCRIPTION	No. Pcs.
QUICK REFERENCE CHART			
BRUSHES OR BRUSH SETS FOR ELECTRIC MOTORS			
	20-7301812	Brush-assy.w/11 traction motor on ME30S thru 50 .....	4
	20-7301998	Brush Set-lift & tlt.mtr.20-7301975&20-3009741,30S&30..	1
	20-7301866	Brush Set-lft.&ltlt.mtr.20-3005653&20-3009289,40-50-30EE	1
	20-7301745	Brush Set-motor power steering,set of 8,30-40-50.....	1
TIPS, CONTACT AND CONNECTOR CONTACTS SET			
	20-7301773	Tip-contact,F & R, 1A & hyd.pump contactor,SCR 310.....	12
	20-7301781	Contact-stationery,lower pwr.strng.pmp.contact,SCR 310.	1
	20-7301783	Contact-moving,upper pwr.strng.pmp.contactr.,SCR 310...	1
	20-7302265	Tip-contact,movable,F & R,for EV1 control panel.....	4
	20-7302255	Tip-contact,movable,1A & hyd.pmp.for EV1 control panel.	2
	20-7302255	Tip-contact,movable,pwr.strng.pmp.for EV1 control panel	2
	20-7301740	Contact Set-bttry.connectr.20-3005860 for power cables.	1
FUSES			
	20-3006100	Fuse-400 amp.bolt-in type,traction and pump motor.....	2
	20-3006099	Fuse-30 amp.bolt-in type,power steering motor.....	1
	20-7301761	Fuse-2 amp.snap-in type,SCR 310 control panel.....	2
	20-3006101	Fuse-15 amp.snap-in type,control,horn,lights and aux...	AR
BRAKE SHOES, REPAIR KIT MASTER CYLINDER & BRAKE CYL.			
	35P2860	Kit-shoes,with lining,drive wheels,set of 4.....	1
	20-7301731	Kit-shoes,with lining,parking brake.....	2
	35P1597	Kit-repair,master cylinder.....	1
	35P2200	Kit-repair,brake cylinder.....	2
HORN BUTTON KIT AND FILTER ELEMENT			
	35A1066	Kit-horn button assembly.....	1
	20-3007342	Filter-element,return line hyd.system,in hyd.tank.....	1
CONTROL VALVE, HYDRAULIC PUMP & POWER STEERING PUMP			
	20-7301709	Kit-seals,control valve,lift-tilt and auxilliary.....	1-3
	20-7301267	Kit-repair,hydraulic pump,lift-tilt,for 20-3005817 pump Model 40-50.....	1
	20-7301677	Kit-seals,power steering pump,for 20-3005808 pump.....	1
	20-7302210	Kit-seals,power steering pump,for 20-3009186 pump.....	1
TILT CYLINDER			
	20-7380008	Kit-repair,tilt cylinder.....	2

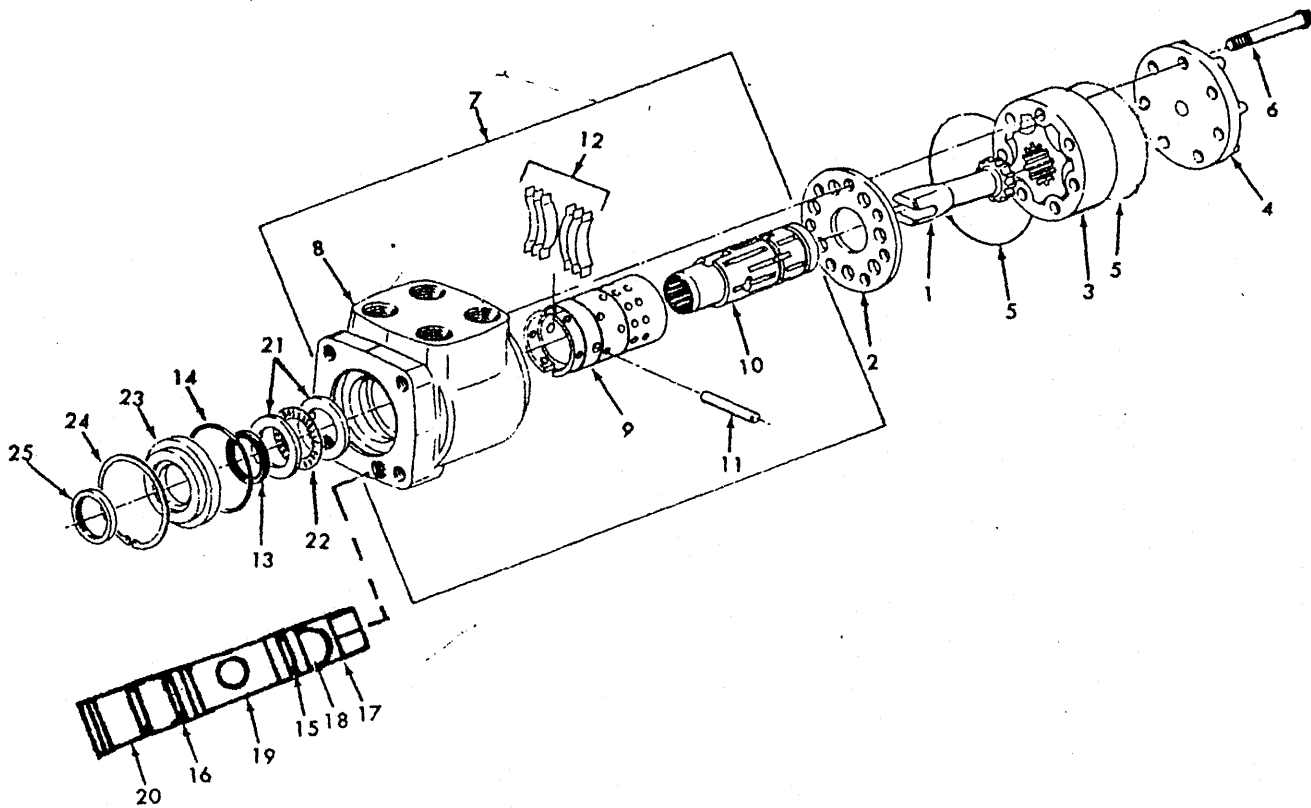
Ref. No.	Part No.	DESCRIPTION	No. Pcs.
		ME30-55B Fork Lift Trucks	
		List of parts used on ME30-55B Lift Trucks with silent drive transmission, S.N. 5310586 and after. Misc. other changes have been added to this list. Refer to R-2235A with Supplement 'A'.	
	Page A-9	Add new style dipstick and tube for late models	
22	20-3011627	Dipstick-oil, 8 - 15/16 long	1
23	20-3011626	Tube-dipstick, 7 - 1/4 long	1
	Page A-12	Add the following parts for new silent transmission as listed for Gear Reduction Case and Drive Shaft used on ME30-55, S.N. 5310525 and after. New parts on silent transmission start on S.N. 5310586 and after.	
1	20-3011810	Case-reduction	1
	20-3011812	Sprocket-drive, on output shaft, 49T.	1
	20-3011811	Sprocket-drive, on motor shaft, 28T.	1
	20-3011663	Chain-drive, endless, 66 pitches	1
	Note: On units with silent drive transmission, wiring diagram on EV-1B will be changed from S2 to S1 and S1 to S2 which reverses motor drive for chain drive transmission.		
	Page A-13	Change 907741 bolt 12 pt., 1/2 x 1-1/4 to 907714 (corrections) Change 20-7302556 bearing, 9" motor to Z288A (Same as) Change quantity on 20-7301811 spring from 1 to 8 Change quantity on 20-7302559 brush from 1 to 4	
	Page A-17	Add brake cables for hand controlled parking brakes, cowl mounted, used on ME 30-50 SN 5310464 and ME 55 SN 5310401 and after.	
	20-3010612	Cable - R.H. brake, 41-3/16 long	1
	20-3010611	Cable - L.H. brake, 58-5/8 long	1
	Page B-8	Change 20-3005825 column to 20-6011603	
	Page B-9	Change 20-3005825 column to 20-6011603	
	Page B-11	Change 20-7302240 kit to 30-3350592 (Inter)	
	Page B-15	Change 20-7301742 stud, Ref. #13 to 20-7301743 (correction)	
	Page C-12	Add sleeve for carrier Ref. #3	
	20-7302613	Sleeve - carrier	2
	Page C-14	Change 20-7302255 tip, Ref. #1 to 20-7302612 (Correction)	
	Page C-21	Change 20-3007182 housing, Ref. #11 to 20-3008566	
	Page D-2	Add new cowl and key switch which requires larger hole	
1	20-3011425	Cowl - instruments	1
	20-3011631	Switch-on-off, with large mount	1
	20-7302610	Key-switch, set of 2, for 20-3011631	1
	Page E-14	Add new tilt cylinder 20-3011683 (same as 20-0900161)	
	20-3011683	Cylinder-special, 10° forward, 6° rearward	2
1	20-7302701	Shell-assembly, for 20-3011683	2
7	20-7302702	Rod-cylinder, for 20-3011683	2
	Note:	Balance of parts common to 20-3000352 cylinder except 1-35A8560 spacer is rear of cyl., 9/16 dia. x .524 long	
	Page E-16	Add new battery covers with 20-3009009 expanded metal for EE models	
	20-6011561	Cover - battery, R.H., ME30	1
	20-6011558	Cover - battery, L.J., ME30	1
	20-6011562	Cover - battery, R.H., ME40	1
	20-6011559	Cover - battery, L.H., ME40	1
	20-6011563	Cover - battery, R.H., ME50-55	1
	20-6011560	Cover - battery, L.H., ME50-55	1



Ref. No.	Part No.	DESCRIPTION	No. Pcs.
		Supplement "B" to Repair Parts Catalog R2235A w/Supplement "A" on ME30-55. New ME60 Parts added	
Page A-7		NOTE: Drive wheels for ME55 are also used on ME60, Add axle shaft, Ref.#1 for ME60	
1	20-3011770	Shaft-axle, ME60, 18-1/4	2
Page A-9		Add axle housing for ME60	
14	20-7370053	Housing-RH, Inc. 16 & 17	1
15	20-7370054	Housing-LH, Inc. 16 & 17	1
	50A1164	Bolt-12 pt., 1/2-13x1-1/4	12
	50A1166	Bolt-12 pt., 1/2-13x1-3/4	10
		Add new dipstick and tube	
22	20-3011627	Dipstick-oil, 8-15/16	1
23	20-3011626	Tube-dipstick, 7-1/4	1
	50A4989	Sleeve-tube, 3/4	1
	50A4990	Nut-sleeve, 3/4	1
Page A-12		Add shims if gasket 20-3001592 was not used	
27	35A8844	Shim-case,.003	AR
27	20-3011616	Shim-case,.007	AR
27	35A9455	Shim-case,.015	AR
		Add new case and sprockets and chain for silent trans. on ME lift trucks SN.5310586 and after	
1	20-3011810	Case-reduction	1
	20-3011812	Sprocket-driven, 49T	1
	20-3011811	Sprocket-drive, 28T	1
	20-3011663	Chain-drive, endless 66P	1
Page A-17		In Supplement "A" page 4	
		Add cables for cowl mounted parking brake	
	20-3010612	Cable-RH, 41-1/4 L.	1
	20-3010611	Cable-LH, 58-5/8 L.	1
Page B-6		Add new hoses for motor to cyl. Sn.5310811 & after	
6	20-3012131	Hose-mtr. to cyl. LH, 69	1
6	20-3012132	Hose-Mtr. to cyl. RH, 81	1
	50A2776	Clip-hose, 13/16	1
	50A671	Clip-hose, 5/8	2
	-----	Spiral wrap-hose, 1 ft.	AR
20	20-3012179	Hose-sctn.pmp.to tb. 5/8x26 ME60 and ME30-50 Sn.5310811 and after	1
Page B-7		Change 20-3009566 cyl. to 20-3000864(parts intern)	
Page B-9		Change 20-3005825 clmn to 20-6011603 (wire added)	
Page B-11		Add new group for Steering motor Sn.5310811 & after See Page # 2 of Supplement for str. mtr.	
Page B-15		Change 50A3656 bolt to 50A3667, 3/8-16x1-1/4	
Page B-16		See Page #3 and 4 of Supplement for new steer axle	
Page C-12		Add sleeve for 20-7302258 carrier Ref.#3	
	20-7302613	Sleeve-carrier	2
Page C-14		Change 20-7302255 tip to 20-7302612(correction)	
Page C-17		Change 20-3007613 switch to 20-6007613 (Inter)	
Page C-21 & 23		Change 20-3007182 housing to 20-3008566	
Page D-3		Add new frames for units with new steer axle	
1	20-6012089	Frame-Model 30HB	1
1	20-6012090	Frame-Model 40B	1
1	20-6012091	Frame-Model 50B	1
1	20-6012060	Frame-Model 60	1

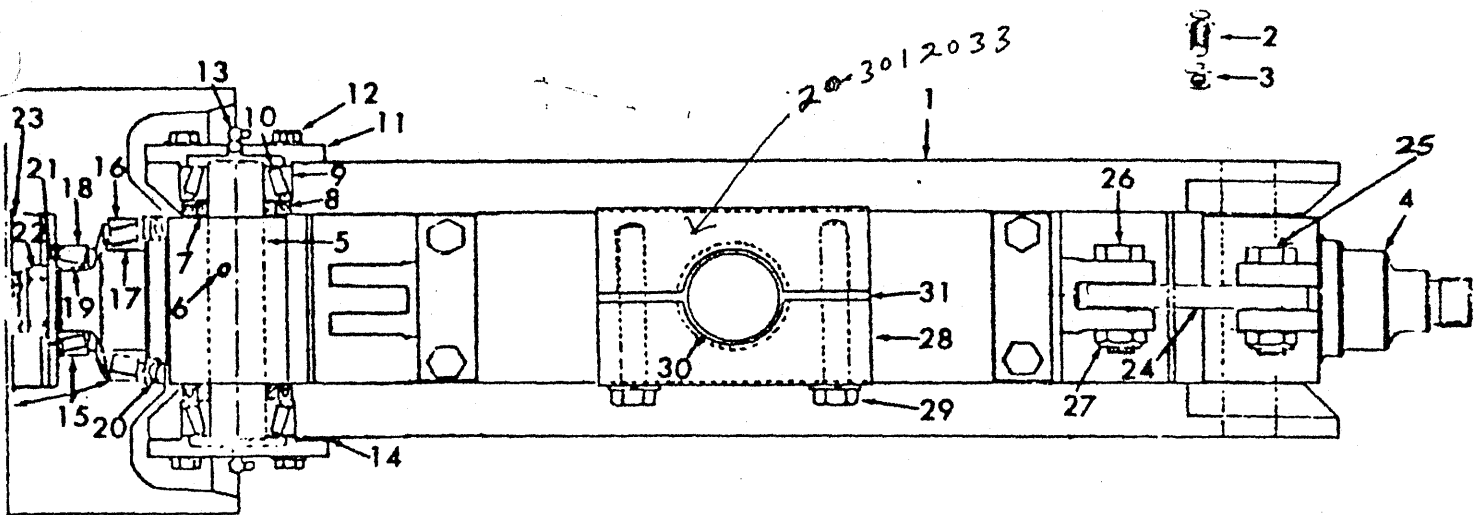
*check MA Pictures*





Steering Motor - Power Steering, Group III  
 (Char-Lyn 211-1002-001) ME30-60 Sn.5310811 and after

Ref. No.	Part No.	DESCRIPTION	No. Pcs.	Ref. No.	Part No.	DESCRIPTION	No. Pcs.
	20-3012129	Motor-strng. orbital Inc. Ref.# 1 thru 25:	1	13	-----	*Seal-quad ring, spool	1
1	30-3059634	Drive-motor	1	14	-----	*Seal-O-ring, spool	1
2	30-3319636	Plate-spacer, motor	1	15	-----	*Seal-check, inner	1
3	20-7302801	Gear Set-motor	1	16	-----	*Seal-check, outer	1
4	30-3319652	Cap-end	1	17	30-3319679	Retainer-check ball	1
5	-----	*Seal-O-ring, cap & gr.plt.	3	18	20-7302233	Ball-check	1
6	-----	Bolt-12 pt. 5/16-24x1-1/2	7	19	30-3319695	+Seat-check ball	1
7	-----	Housing-w/vlv.order assy. Inc. Ref.#8 thru 12:	1		Note(+)	Use screw #7-24 to remove	1
8	-----	Housing-order assy.	1	20	20-7302237	Set Screw-check seal	1
9	-----	Sleeve-order assy.	1	21	30-3095150	Bearing-thrust (needle) Inc.Ref.#22:	1
10	-----	Spool-order assy.	1	22	-----	Race-bearing, order#21	2
11	101041A	Pin-centering	1	23	30-3141063	Bushing-seal, gland	1
12	102060A	Spring-centering	6	24	20-7302239	Ring-snap, bshng.retrn.	1
	20-7301859	Tool-spring installation	1	25	35A12485	*Seal-gland	1
					30-3350592	*Kit-seals, Inc.parts w/*	1



Steer Axle - Group II  
Used on ME30-60B Sn.5310811 and after

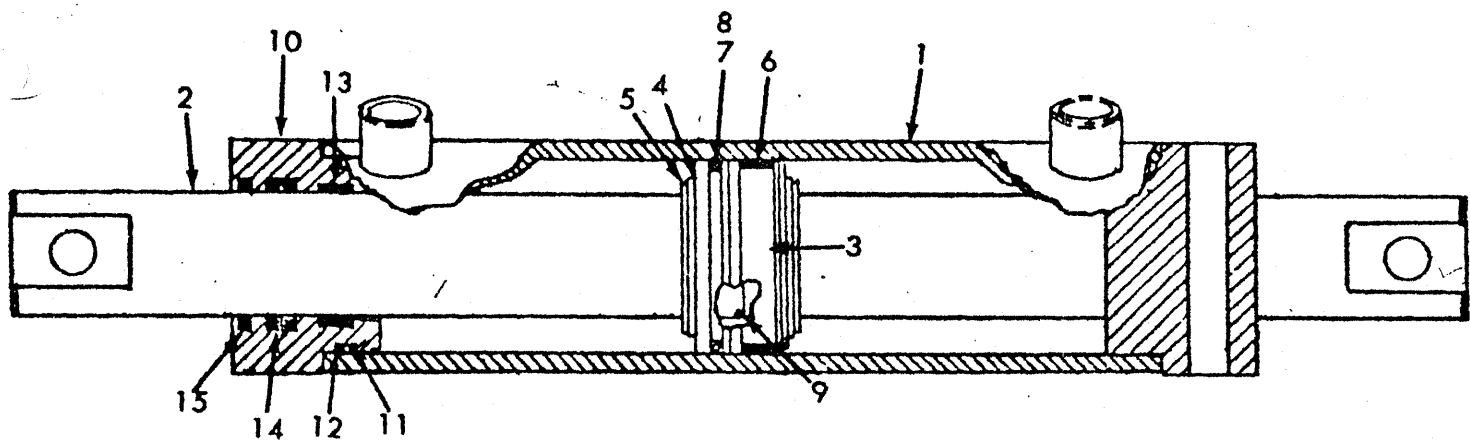
Ref. No.	Part No.	DESCRIPTION	No. Pcs.	Ref. No.	Part No.	DESCRIPTION	No. Pcs.
1	20-6012019	Axle-assembly <i>Beam 25</i>	1			Each inc. Ref. #16 and 18	
2	50A3667	Bolt-stop, 3/8-16x1-1/4	2	16	10A7292	Cup-hub, inner	2
3	50A3742	Nut-hex jam, 3/8-16	2	17	35A4161	Cone-brg., hub, inner	2
4	20-3012025	Knuckle-steer axle	2	18	10A7052	Cup-hub, outer	2
5	20-3012026	Pin-steer knuckle	2	19	10A7051	Cone-brg. hub outer	2
6	50A2831	Pin-roll, 1/4x2-1/4	2	20	35A5174	Seal-oil, wheel hub	2
7	20-3012031	Spacer-.331x1-3/4 OD	4	21	50A2584	Washer-nut, 1-1/64x1-3/4	2
8	20-3012130	Seal-bearing	4	22	50A5648	Nut-lock, thin, 1-14	2
9	20-3005693	Cup-brg. knuckle pn.	4	23	35A5148	Cap-wheel hub	2
10	20-3005694	Cone-brg. knuckle pn.	4		-----	Tire-wheel, order type & size needed	2
11	20-3012027	Cap-king pin brg.	4				
12	50A3667	Bolt-hex, 3/8-16x1-1/4	24	24	20-6012018	Link-assy., w/brgs.	2
13	50A4636	Fitting-cap, 1/4x90°	4	25	50A4645	Fitting-grease, 1/4 str.	4
14	20-3012036	Shim-kingpin cap.005	AR	26	20-3012017	Pin-link, 5/8x2-1/2	4
14	20-3012037	Shim-kingpin cap.007	AR	27	50A5889	Nut-lock, thin, 5/8-18	4
14	20-3012038	Shim-kingpin cap.020	AR	28	20-3012034	Block-trunion, lower	2
15	20-7370051	Wheel-w/cups, ME30-50	2	29	50A3687	Bolt-hex, 1/2-13x3	4
15	20-7370052	Wheel-w/cups, ME60	2	30	20-3012032	Cushion-trunn. 1/2x1x3-1/4	4
				31	20-3012035	Spacer-block, .188x1-1/2	4



C

C

C



Steering Axle Cylinder  
Used on ME30-60B Sn.5310811 and after

Ref. No.	Part No.	DESCRIPTION	No. Pcs.	Ref. No.	Part No.	DESCRIPTION	No. Pcs.
	20-6012010	Cylinder-steer axle	1	7	20-3012107	#Seal-piston, sq., 2-3/4	1
		Inc. the following 17 prts.		8	20-3012108	#Ring-back up	1
	50A1936	Bolt-hex, 1/2-13x4-1/2	4	9	20-3012109	#O-ring-piston rod	1
	50A4212	Washer-flat, 17/32x1-1/6	4	10	20-3012015	Gland-cylinder	2
1	-----	Cylinder-outer, order assy.	1	11	20-3012110	#O-ring-gland	2
	20-3012012	Rod-piston	1	12	20-3012111	#Ring-back-up	2
	20-3012013	Piston-rod, 2-3/4	1	13	20-3012112	#Wear Ring-Gland, 1/2 w.	2
4	20-3012014	Washer-piston retainer	2	14	20-3012113	#Seal-rod, 1-3/4	2
5	50A6431	Ring-retainer, 1-3/4	2	15	20-3012114	#Wiper-rod, 1-3/4	2
6	20-3012106	#Wear Ring-piston, 1/2 w.	1		20-7302800	Kit-str cyl. Inc. (#).	1
		<p>S/N 5310908 built with "new design" cylinder (50A6445)                      See engineering drawing - diff. size ret. ring                      + groove size in rod.</p> <p>For Parts: shipped after 11-21-91 would have                      new size ret ring + rod groove.</p> <p>1992 Production for Lull has new design                      cylinder</p>					