

PARTS CATALOG

R-2160D



SERIAL NUMBERS GASOLINE AND L.P. GAS

MA30-28000385

MA35-36400001

MA40-26101393

MA45-36500001

MA50-26200415

MA55-36600001

MA60-33200121

MA30H-60

5300101 AND AFTER

Content

**RUX Book
S-345A for
2800001 - 2800384
26100001 - 26101392
26200001 - 26200415
33200001 - 33200121*

MA30H, 40, 50 AND 60 FORK LIFT TRUCKS

*Book in
Side Cabinet*

White Lift Truck

PARTS AND MANUFACTURING CO., INC.
HOPKINS, MINNESOTA 55343



QUICK REFERENCE CHART

Ref. No.	Part No.	DESCRIPTION	No. Pcs.
	20-3010222	Coil-ignition (Prestolite).....	1
	20-7000680	Spark Plug-Gas & LP-Gas (Champ. D-16) (8 per pkg.).....	4
	20-3009945	Spark Plug-Gas & LP-Gas (Champ. RD16) (8 per pkg.).....	4
	35P1449	Point Set-distributor (Prestolite).....	1
	35P1450	Condenser-distributor (Prestolite).....	1
	35P1772	Rotor-distributor (Prestolite).....	1
OIL FILTERS AND AIR CLEANER FILTERS			
	10P1873	Filter-air cleaner, regular.....	1
	35A5533	Oil Filter-engine and transmission.....	2
	35P1497	Element-transmission sump filter.....	1
	20-7300768	Filter-air cleaner (cyclopac), optional (35P1601).....	1
	10P2704	Cleaning Compound-filter element, 4 pound box.....	-
FAN BELTS AND THERMOSTAT			
	10A12727	*Belt-fan and water pump drive, 49" O.C.	1
		*Note: Models 30-50 w/Eng. Spec. 8218, 8536, 8542 & 8561.	
	35A8786	**Belt-fan and water pump drive, 48" O.C.	1
		**Note: Models 30-50 w/Eng. Spec. 8084 & 8167.	
	20-7300025	Thermostat-engine, 180°.....	1
ENGINE GASKET SETS, PISTONS AND PISTON RINGS			
	35R41	Gasket Set-valve grinding.....	1
	35R119	Gasket Set-front end, engine overhaul.....	1
	35R120	Gasket Set-engine oil pan.....	1
	30-3009777	*Gasket Set-carburetor gasoline, 35A5135 (20-7000118).....	1
	35P776	*Repair Kit-carburetor gasoline, 35A5135.....	1
		*Note: Models 30-50 w/Eng. Spec. 8084 & 8167.	
	35P2181	**Gasket Set-carbtr gasoline, 20-3003850 & 20-3009890.....	1
	20-7300545	**Repair Kit-carbtr gasoline, 20-3003850 & 20-3009890.....	1
	20-7301270	**Repair Kit-carb gasoline, low emission, 20-3003902.....	1
		**Note: Models 30-50 w/Eng. Spec. 8218, 8536, 8542, 8561.	
	35P1095	Repair Kit-L.P. Gas vaporizer, prior to 1973.....	1
	20-7300311	Repair Kit-L.P. carb. (Century), 20-3004156 & 20-3009898.....	1
	20-7300008	Piston-w/pin and retainer, (repl. 35P2639 in sets).....	4
	35P1064	+Rings-pistons complete rering set, std.	1
		+Note: Eng. Spec. 8084 & 8026 to Ser. No. 85926 Inc.	
	20-7300011	+Rings-pistons complete rering set, std.	1
		+Note: Eng. Spec. 8084 & 8026 Ser. No. 85927 & after.	
		+Note: Engines w/Eng. Spec. 8165, 8167 & 8218.	
KITS FOR HYDRAULIC PUMP, BRAKE CYLINDERS AND TRANS.			
	20-7380071	Kit-seals & gaskets, for RB & RE Webster pumps.....	1
	20-7301946	Kit-seals & gaskets, for 1R & 3R Webster pumps and 20-3010338 and 20-3010337.....	1
	35P922	Kit-master cylinder, 35A11330.....	1
	35P2200	Kit-seals, brake cylinders, 35P2198.....	2
	35R139	Kit-seals and gaskets, trans. and diff. overhaul.....	1
KITS FOR TILT CYLINDERS AND HYDRALIZERS			
	35R32	Repair Kit-tilt cylinder (Cascade) prior to 1971.....	1
	30-3305457	Repair Kit-tilt cylinder (Cessna) 1971 and after.....	1

PARTS GROUP INDEX

Page	Page
Accumulator.....D-4	Ignition Lock Vacuum Switch.....C-10,C-11
Alternator-Standard & UL.....F-2	Ignition System.....F-2
Air Cleaner.....E-2 thru E-4	Instrument Panel.....C-6,C-10,C-11
Auxiliary Valves.....D-13,D-14	Lamps.....C-15 thru C-17
Axle Supports.....C-3	Load Alert for Uprights.....C-18,C-19
Battery.....C-14	LP-Gas Equipment.....E-8 thru E-14
Battery Box.....C-14	Master Cylinder.....A-22
Brakes.....A-21 thru A-24	Muffler.....F-5
Brake Linkage.....A-21	Motor Mounts.....C-2
Cables for Battery.....C-14	Oil-Transmission and Hydraulic.....G-3
Camshaft.....F-13	Oil Filter, Engine.....F-14
Carburetor, Gasoline Engine.....E-6,E-7	Oil Filter, Transmission...A-17,A-19,A-20
Carburetor,LP-Gas Engine...E-11,E-12,E-13	Oil Pump, Engine.....F-14
Choke Control.....C-10,C-11	Overhead Guard.....C-4
Coil, Ignition.....F-2	Paint.....G-2
Connecting Rod.....F-12	Pistons and Rings.....F-12
Control Valve,Lift and Tilt.....D-12,D-14	Positive Crankcase Breather.....E-3,F-3
Control Valve,Transmission..A-14 thru A-16	Power Steering Booster Cylinder,55-60.B-11
Converter.....A-11	PTX Muffler.....F-5
Cooling System.....F-7	Quick Disconnect Coupling, Hyd.D-4
Counterweight.....C-4	Quick Disconnect Coupling, LP-Gas....E-10
Crankcase.....F-8	Radiator.....F-7
Crankshaft.....F-11	Rings.....F-12
Cylinder Head.....F-8	Seats.....C-7
Dead Man Seat.....C-9	Silent Drive Transmission.....A-13
Decals.....G-2	Sprak Plug.....F-2
Differential and Cage.....A-7,A-8	Starting Motor.....F-2
Distributor.....F-2	Steering Cylinder, 55-60.....B-11
Drive Axle and Wheels.....A-9	Steering Gear, 30-50.....B-3 thru B-6
Drag Link, Steering, 30-50.....B-12	Steering Linkage.....B-12
Engine Oil.....G-3	Steering Motor, 55-60.....B-7 thru B-10
Fan.....F-7	Steering Wheel.....B-2
Fire Extinguisher.....C-4	Tilt Cylinder.....D-15 thru D-18
Flywheel and Housing.....F-10,F-11	Thermostat.....F-7
Foot Accelerator.....C-12,C-13	Transmission.....A-12
Frame.....C-2	Transmission Case.....A-10
Fuel Filler.....E-5	Transmission Controls.....A-17 thru A-20
Fuel Pump..... C-5,D-5	Transmission Oil.....G-3
Gas Manifold.....F-10	Transmission Control Valve..A-14 thru A-16
Gasket Sets.....A-6	Valves, Intake and Exhaust.....F-12
Gauges.....C-10, C-11	Voltage Regulator.....F-2,F-4
Generator, UL GS Equipped.....F-4	Water Pump.....F-6
Governor.....F-15 thru F-18	Wheels, Drive.....A-9
Hood.....C-5	Wheels, Steering.....B-15
Horn.....C-10,C-11	Wiring Harness.....C-10,C-11,C-14,F-4
Horn Button.....B-2	NUMERICAL INDEX.....G-4 thru G-20
Hydralizer and Wheels.....B-13 thru B-15	
Hydraulic Oil Lines.....D-2,D-3	
Hydraulic Pumps.....D-5 thru D-11	
Hydraulic Quick Disconnect Coupling....D-4	

FOREWORD

This catalog contains a complete list of parts for the lift truck. To assist in determining the part numbers and descriptions, the parts in this catalog are grouped according to their location on the lift truck. Reference numbers only are shown in each illustration. These numbers correspond to those in the reference number column in the list of parts which follows each "exploded view".

TYPICAL PARTS ARE SHOWN, AND MAY NOT ALWAYS BE IDENTICAL WITH CURRENT PARTS. REFER TO THE TEXT. "RIGHT OR LEFT" IS DETERMINED BY FACING TOWARD THE UPRIGHT FROM THE LIFT TRUCK SEAT.

To further assist in locating repair parts, the part numbers are arranged in numerical sequence and indexed at the rear of this catalog.

Component parts of assemblies are listed following the assembly itself and are identified as being part of the assembly by this notation following the description:

Consists of the following ... parts or Includes the following ... parts:

Part numbers only make up an assembly. Hardware items are not to be included.

Parts such as standard bolts, nuts, screws, washers, etc., are listed under the respective individual parts with which they are used. The quantity for many of the shims listed is shown as A.R. (as required). The correct amount of shims should be determined in order to get the proper clearance. Bolts and nuts listed are standard Grade 5, special grades will be shown in text. Order hardware thru Standard Fastner Program or purchase locally.

Occasionally new part numbers replace old numbers in the Part No. column. In those cases where the new number substitutes for the old number, the old number will be enclosed in parenthesis and it will appear at the end of the text in the description column.

When in need of repair parts, order from your local dealer. All parts orders should plainly specify your name, post office address, and whether shipment is to go by parcel post, express, or freight. Claims of shortage or breakage should be made to the transportation company on receipt of goods.

Before returning repair parts to the factory or parts depot, it is necessary to secure written permission from the Company authorizing the return of such parts. In the returning of repair parts be sure the package is tagged with your name and address. Prepay transportation charges.

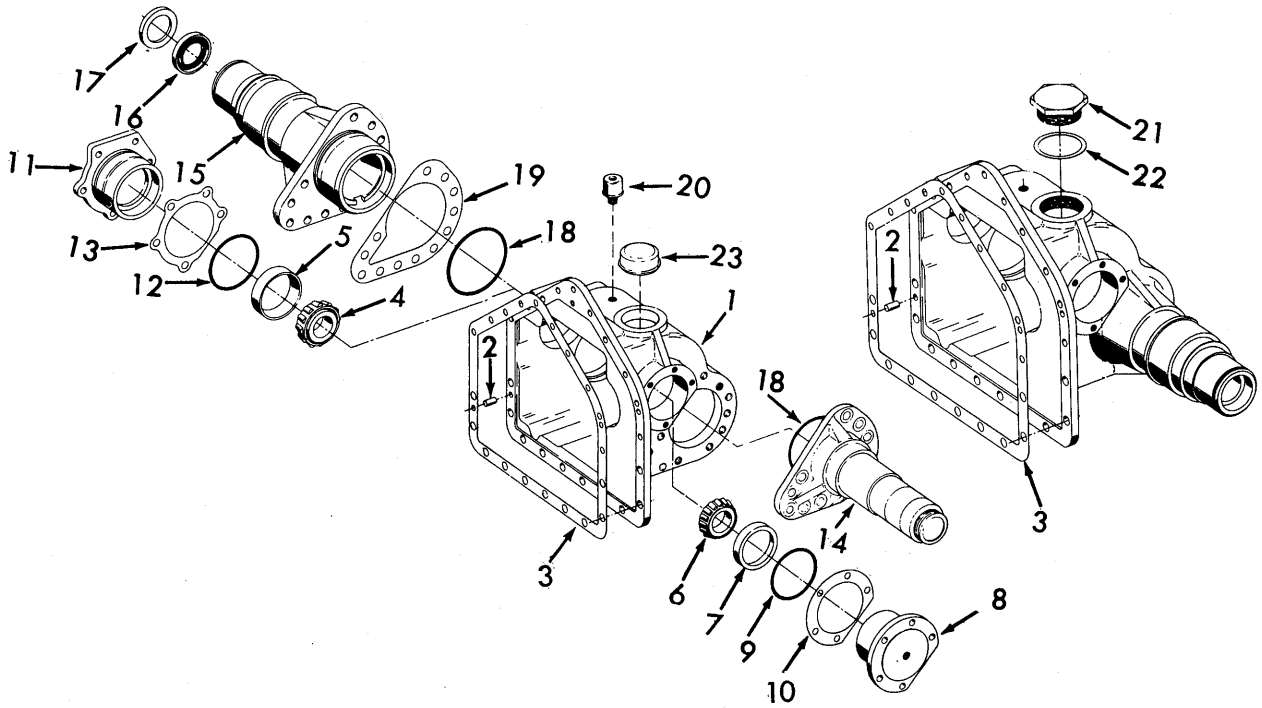
It is the policy of the Company to improve its products whenever it is possible and practical to do so. We reserve the right to make changes or add improvements in the design or construction of parts at any time without incurring the obligation to install such changes on products previously delivered.

GROUPS

- A - Drive Wheels, Differential, Transmission and Brakes
- B - Steering, Hydralizer and Steer Wheels
- C - Frame, Driver Compartment and Wiring Harness
- D - Hydraulics
- E - Carburation and LP-Gas Systems
- F - Engine and Accessories
- G - Decals, Paint, Engine Oil, Hydraulic Oil and Index

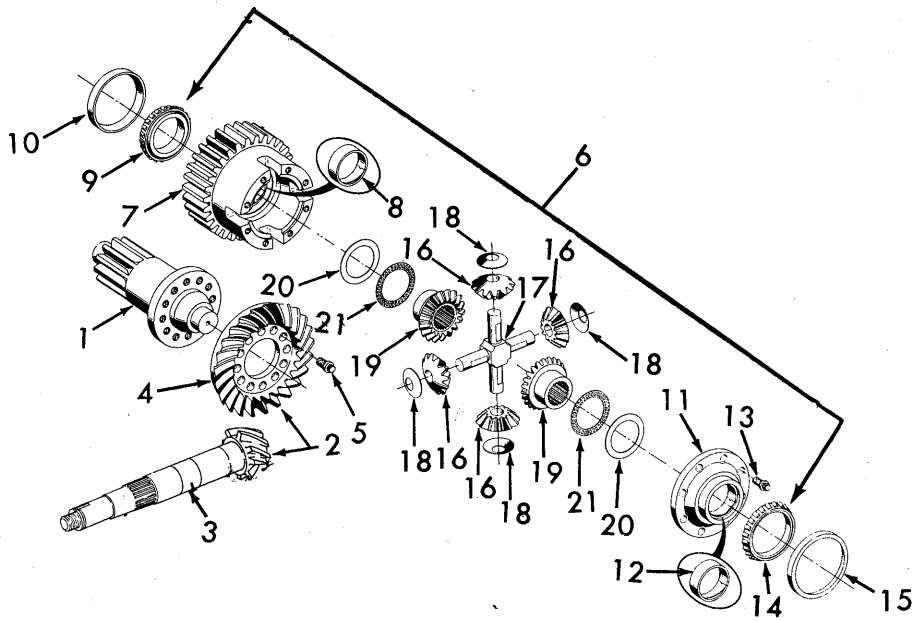
GASKET AND REPAIR KITS

Ref. No.	Part No.	DESCRIPTION	No. Pcs.
	35R41	Kit-gasket, engine valve grind..... Consists of the following parts:	1
	35P779	Gasket-cylinder head.....	1
	35P790	Gasket-valve cover.....	1
	9102S	Gasket-cover stud.....	2
	35P793	Gasket-manifold.....	1
	20-7300027	Kit-water pump repair..... Consists of the following parts:	1
	35P1961	1-Seal 15P173 1-Gasket	
	35P2236	1-Shaft-w/brg. 35P1960 1-Impeller	
	15P171	1-Ring 35P855 1-Gasket	
	35P1962	1-Retainer-seal	
	35R139	Kit-gasket, transmission overhaul..... Consists of the following:	1
	1-M536	"O"-Ring 1-35A12506 Gasket-1pc.vlv.	
	1-941561	"O"-Ring 1-35P613 Seal	
	7-10A3397	Washer 1-35P1498 Gasket	
	3-50A6322	"O"-Ring 1-941538 "O"-Ring	
	2-10A25016	Ring-(rubber) 1-50A768 Ring	
	2-10A25017	Ring-(rubber) 1-50A961 "O"-Ring	
	1-20-3008957	Gasket 1-50A1745 Washer	
	3-35A341	Ring 1-941518 "O"-Ring	
	1-35A993	Ring 7-50A1829 Stat-o-seal	
	1-35A5192	Gasket 5-50A2878 "O"-Ring	
	1-35A5439	Shim-old mnfld. 1-50A6326 "O"-Ring	
	1-35A7304	Gasket-2pc.vlv. 1-50A6327 "O"-Ring	
	1-35A10947	Gasket 1-20-3000701 Ring	
	1-35A12294	Shim-new mnfld. 1-20-3001592 Gasket	
		1-20-3009388 Retainer	
	20-7380081	Kit-seals and gaskets, 1 piece control valve..... Consists of the following:	1
	7-20-3009707	"O"-Ring 1-35A8008 Seal-old style	
	2-10A16329	Seal 1-35A12506 Gasket	
	1-10A16405	"O"-Ring 2-104881A Seal-new style	
		1-195624A "O"-Ring	
	20-7380082	Kit-seals and gaskets, 2 piece control valve..... Consists of the following:	1
	12-20-3009707	Ring 1-35A8008 Seal	
	2-10A16329	Seal 7-50A1829 Stat-o-seal	
	1-35A7304	Gasket 5-50A2878 "O"-Ring	
	20-7380116	Kit-seals,hydralizer..... Consists of the following:	2
	1-35A5174	Seal 1-20-3009528 Seal	
	1-35A6404	Seal 1-50A1760 "O"-Ring	
	1-50A1727	"O"-Ring	
	20-7380115	Kit-repair,hydralizer..... Consists of the following:	2
	1-20-3009347	Bushing 1-35A5174 Seal	
	1-20-3009395	Seal 1-50A1727 "O"-Ring	
	1-20-3009528	Seal	



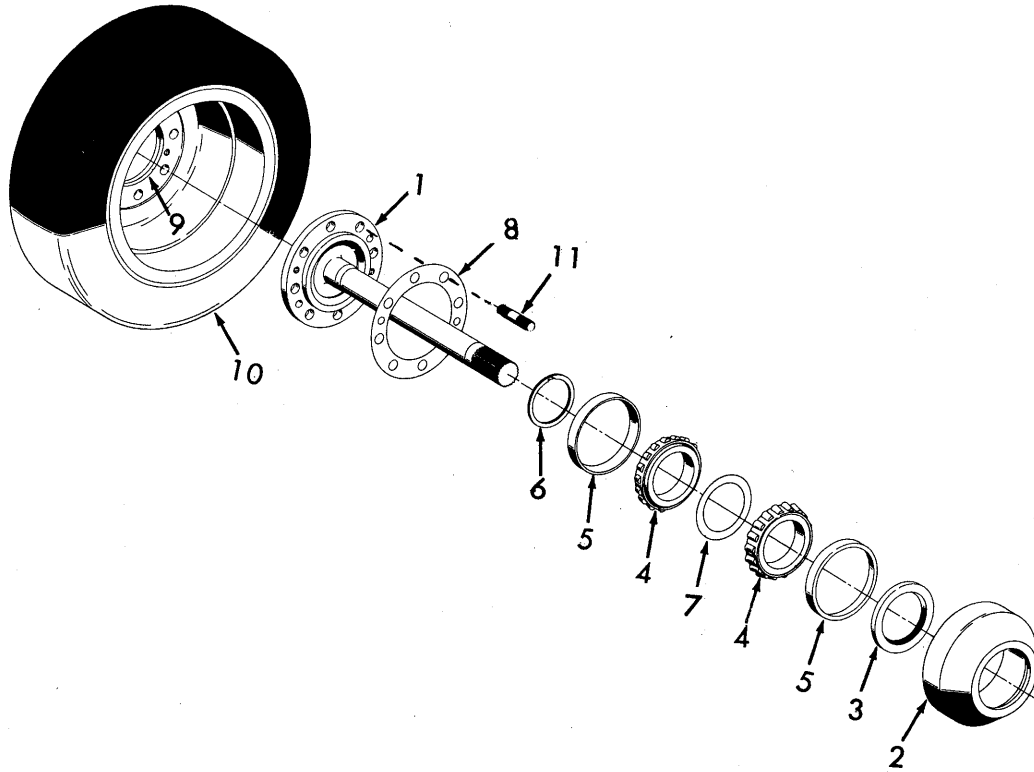
DIFFERENTIAL CASE AND HOUSINGS

Ref. No.	Part No.	DESCRIPTION	No. Pcs.	Ref. No.	Part No.	DESCRIPTION	No. Pcs.
1	20-7370036	+Case-Inc.#2 (35B7816) (*)	1		907048	*Bolt-Gr.8,3/8-16x1 1/4	2
	907714	Screw-12pt.1/2x1-1/4	8		908332	+Bolt-hx.Gr.5,3/8-16x1	3
	907652	Screw-12pt.3/8x1-1/4	3-12		908333	+Bolt-hx.Gr.5,3/8-16x1 1/2	1
	50A5038	Stud-3/8-16x1-3/4 (old)	9		50A3669	+Bolt-hx.G.5,3/8-16x1-3/4	2
	50A1900	Nut-hex,3/8-16 (old)	9		30A1301	+Spacer-shift brkt.	3
	50A6022	Plug-hex,3/4-14	1	13	35A8241	Shim-LH,.002	AR
2	10A11543	Pin-dowel,3/8x3/4	2	13	35A8242	Shim-LH,.003	AR
3	20-3001592	Gasket-diff.,.015	1	13	35A8243	Shim-LH,.005	AR
4	10A7059	Bearing-LH	1	14	20-7370037	+Housing-RH,Inc.16-17	1
5	EB5026	Cup-bearing,LH	1	15	35B8364	Housing-LH,Inc.16-17	1
6	10A7051	Bearing-RH	1		907713	Screw-12pt.1/2-13x1	22
7	10A7052	Cup-bearing,RH	1	16	35A9511	Seal-housing	2
8	35A9459	*Cap-bearing,RH	1	17	35A8493	Collar-seal ret.	2
8	20-3011120	+Cap-brg.,RH(20-3001143)	1	18	941669	O-Ring-4 1/4 OD	1-2
9	941600	O-Ring-3-3/16 OD	1	19	35A5448	Shim-housing, .002	AR
	50A3723	*Bolt-hex,Gr.8,3/8-16x1	5	19	35A5447	Shim-housing, .003	AR
	908332	+Bolt-hex,Gr.5,3/8-16x1	5	19	35A5446	Shim-housing, .005	AR
10	35A5442	Shim-cap RH, .002	AR	19	35A8711	Shim-housing, .020	AR
10	35A5441	Shim-Cap RH, .003	AR		35A7276	Shim-housing, .022	AR
10	20-3010328	Shim-cap RH, .010	AR	20	35A5891	Breather, 1/4	1
11	35A9458	*Cap-bearing (35A7817)	1	21	35A8251	*Plug-2 1/2-16	1
11	20-3011121	+Cap-brg.,LH(20-3001144)	1	22	35A8250	*Washer (copper)	1
12	941601	O-Ring,3-7/16 OD	1	23	35A558	+Plug-2-11/16(1147770)	1
	50A3723	*Bolt-hex,Gr.8,3/8-16x1	3			*Note: On 2-pc.diff.case.	
						+Note: On 3-pc.diff.case.	



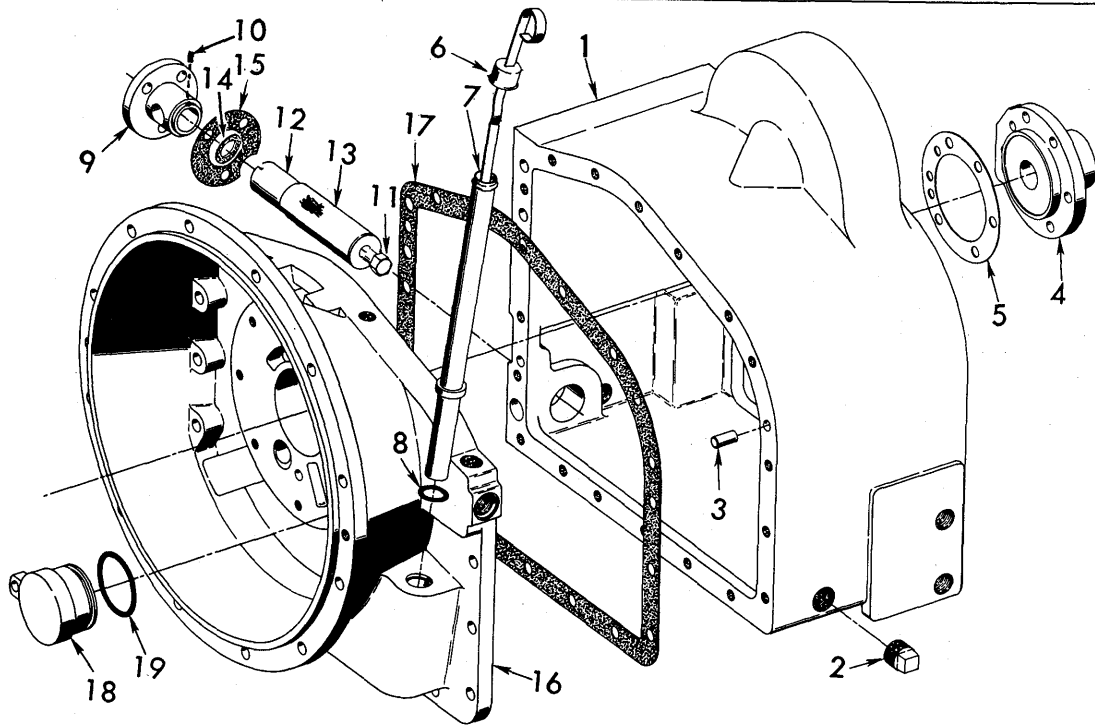
BULL PINION SHAFT AND DIFFERENTIAL CAGE

Ref. No.	Part No.	DESCRIPTION	No. Pcs.	Ref. No.	Part No.	DESCRIPTION	No. Pcs.
1	35A9485	Shaft-bull pinion,12T.	1	11	36A7807	*Cover-w/bush.RH	1
2	20-6007679	Ring Gear & Pinion (35B7803 Inter.) Inc.#3 & 4:	1	12	35A8492	*Bushing-ream to fit	1
3	35A7803	Pinion-8 teeth	1	13	35A12566	*Bolt-12pt.3/8x3/4	8
4	35A7819	Ring Gear-25T.	1	14	35A8235	*Bearing-cage cover	1
5	20-3000435	Bolt-12pt.7/16x7/8	12	15	35A8236	Cup-cage cover	1
6	20-7380067	Cage-assy. (Inc.*)	1	16	35A9451	*Pinion-cage,12T.	4
7	20-6009338	*Cage-w/bsh.30T20-6006350	1	17	35A7809	*Shaft-pinions	1
8	35A8492	*Bushing-ream to fit	1	18	20-3006635	*Washer-thrust (35A7813)	4
9	162687A	* Bearing-cage,LH(35A8237-I)	L	19	35A9452	*Gear-bevel,18T.	2
10	162688A	Cup-cage,LH(35A8238-I)	1	20	35A7814	*Race-brg.2-23/32	2
				21	31-1570590	*Bearing-thrust (35A7815-I)	2



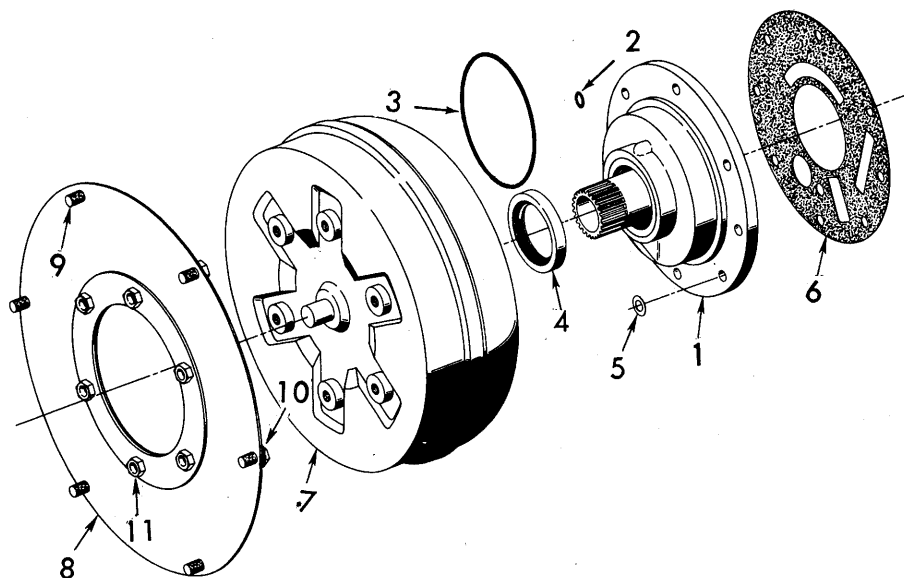
DRIVE AXLE, WHEEL AND BEARING HOUSING

Ref. No.	Part No.	DESCRIPTION	No. Pcs.	Ref. No.	Part No.	DESCRIPTION	No. Pcs.
1	35A8245	Shaft-axle, 17-3/16	2		6x12-1/8x18	Inc. #9 and 10:	
	941606	O-Ring-flange, 4-11/16	2	9	35A9522	Hub-drive, 30-35	2
2	35A8360	Housing-bearing	2	10	20-3008140	Tire-cushion, 30-35	2
	50A2746	Screw-flt. hx. skt. 3/8-16x1	4		20-6008143	Wheel-assy., 40-45	2
3	35A8629	Seal-housing	2		7x12-1/8-18	Inc. #9 and 10:	
4	35A7752	Bearing-housing	4	9	35A9521	Hub-drive, 40-45	2
5	10A8441	Cup-bearing	4	10	20-3008143	Tire-cushion, 40-45	2
6	50A1740	Ring-brg. ret.	2		20-6008146	Wheel-assy., 50	2
7	35A7275	Shim-bearing, .020	AR		8x12-1/8x18	Inc. #9 and 10:	
7	35A7276	Shim-bearing, .022	AR	9	35A9523	Hub-drive, 50	2
7	35A7277	Shim-bearing, .025	AR	10	20-3008146	Tire-cushion, 50	2
7	35A7278	Shim-bearing, .028	AR		20-6008149	Wheel-assy., 55-60	2
7	35A7279	Shim-bearing, .030	AR		9x12-1/8x18	Inc. #9 and 10:	
7	35A7280	Shim-bearing, .032	AR	9	35A9082	Hub-drive, 55-60	2
7	35A7281	Shim-bearing, .035	AR	10	20-3008149	Tire-cushion, 55-60	2
8	35A5436	Shim-housing, .002	AR	11	20-3007309	Stud-wheel, 9/16-12x9/16-18x2-7/16, Gr. 8	16
8	35A5435	Shim-housing, .003	AR		50A1096	Nut-hex (Gr. 8) 9/16-18	16
8	35A5434	Shim-housing, .020	AR		35A10626	Plug-wheel, 3/4x1-1/2	2
	20-6008140	Wheel-assy., 30-35	2				



TRANSMISSION CASE

Ref. No.	Part No.	DESCRIPTION	No. Pcs.	Ref. No.	Part No.	DESCRIPTION	No. Pcs.
1	35B7799	+Case-trns.Inc.#3&50A2855	1			MA45 36500027 Inc.	
1	35B11671	"Case-trns.Inc.#3&50A2855	1			MA50 26201331 Inc.	
1	20-6011453	!Case-trans.Inc.#3	1			MA55 36600015 Inc.	
	20-3011479	20-6011453 use 1-35B11671 &				MA60 33200440 Inc.	
	NOTE (!)	!Bshg.-.887I.D.x3/4 L	1			"SN after above 1pc.valv	
1	20-7370050	SN.5301305-5301700 Inc.	1		50A4265	Ball-steel,5/16 dia.	3
	50A3667	#Case-trns.Inc.3&50A2855	1		50A3656	Bolt-hex,5/16-18x1	5
	50A3669	Bolt-hex,3/8-16x1-1/4	20	6	20-3011629	Dipstick w/seal(35A5908)	1
	50A3670	Bolt-hex,3/8-16x1-3/4	1		20-7302041	Seal-dipstick	1
	50A1925	Bolt-hex,3/8-16x2	2	7	20-3011628	Tube-dipstick,11-5/16	1
	907652	Bolt-hex,3/8-16x2-1/2	7	8	941518	O-Ring-filler tube	1
	50A4139	Screw-12-pt.3/8-16x1 1/4	1		35A8059	Sump-filter,Inc.#9-14	1
	50A1900	Screw-set,hex skt.3/8x1	1		50A3656	Bolt-hex,5/16-18x1	3
	50A2855	Nut-hex; 3/8-16	1	9	-----	Flnge.-order assy.Inc.#10	1
		Pin-roll,1/4 x 7/8	2	10	35P1502	Pin-flange	1
2	35A3260	Plug-mag.,1/2-14	1	11	35P1501	Bolt-hx.1/4-20x4-1/2	1
3	10A11543	Pin-dowel,3/8x3/4	2		35P3113	Spcr.-fltr. blt.4-5/16L	1
4	36A5104	+Manifold-mtd.modul.	1	12	35P1496	Tube-suction,3-3/8 L.	1
4	36A12315	#Manifold-case	1	13	35P1497	Element-filter	1
		#Used w/new case & valve		14	35P1498	*Gasket-filter element	1
		on old units,rvrss.ctrl.		15	20-3008957	*Gasket-filter flange	1
		Also on SN5301701 & aft.		16	36A5103	Bell Housing	1
4	36A11652	"Manifold-1 pc. valve	1		GM145657	Ball-Steel,1/2"	3
5	35A5439	*Shim-manifold	1		941050	Plg-skt.hd.1/2-14(50A955	2
5	35A11294	*Shim-manifold	1	17	35A5192	*Gasket-housing	1
	12294	+Used on 2-pc.valve,Inc.		18	35A5111	Cap-bearing	1
	Serial Nos.	MA30-28000718 Inc.			50A3658	Bolt-hex,5/16-18-1/2	1
		MA35 36400011 Inc.			941589	*O-Ring-cap(50A961)	1
		MA40-26103063 Inc.			35R139	Gasket Set-Inc.(*)	1



CONVERTER PUMP, CONVERTER AND DRIVE PLATE

Ref. No.	Part No.	DESCRIPTION	No. Pcs.	Ref. No.	Part No.	DESCRIPTION	No. Pcs.
1	35A311	Pump-converter, Inc. 2-4:	1	7	20-3010507	Converter (35A5730)	1
	50A5032	Bolt-hex, 5/16-18x1-1/8	7	8	20-3009670	Kit-drive plate (35A322)	1
2	941561	*O-Ring-11/16 OD (10A27-I)	1			Inc.#9 thru 11:	
3	M536	*O-Ring-5-3/4 OD	1	9	50A1977	Bolt-hx.place, 5/16x5/8	6
4	35P613	*Seal-conv. pump	1	10	35P1596	Washer-5/16x13/16	6
5	10A3397	*Washer-copper	7	11	GM9409125	Bolt-hx. 3/8-24x1/2	6
6	35A10947	*Gasket (35A5731)	1		20-3002996	Cover-hsg. 5-1/2 long	1
	35R139	Gasket Set-Inc. (*)	1				