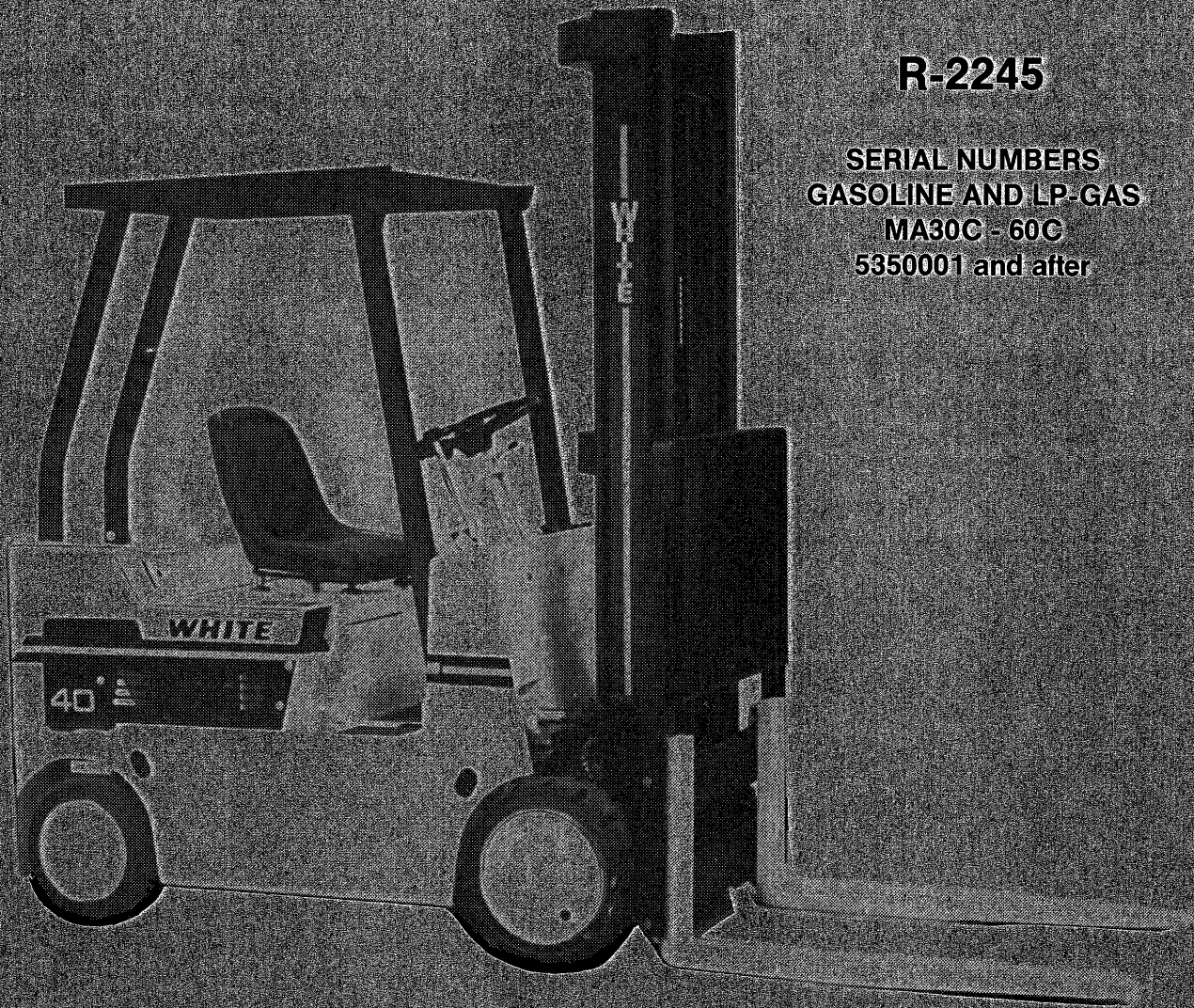


REPAIR CATALOG



R-2245

**SERIAL NUMBERS
GASOLINE AND LP-GAS
MA30C - 60C
5350001 and after**

MA30C, 40, 50 AND 60C FORK LIFT TRUCKS



WHITE LIFT TRUCK

**White Lift Truck
PARTS & MANUFACTURING CO. INC.**

8600 JEFFERSON HIGHWAY, OSSEO, MN 55369

QUICK REFERENCE CHART

Ref. No.	Part No.	DESCRIPTION	No. Pcs.
OIL FUEL AND AIR FILTERS			
	35A5533	Element-engine oil (3 per pkg.)	1
	20-7302402	Element-transmission fluid and hydraulic oil	2
	10P1873	Element-air cleaner (Standard)	1
	20-7300768	Element-air cleaner (Cyclopac)	1
	20-3011650	Element-oil strainer, in transmission	1
	35A698	Strainer-oil, in hydraulic tank	1
	35P2997	Pack-filter, LP-Gas	1
IGNITION SYSTEM			
	20-3009946	Plug-spark, Champion RJ-8	4
	40-2504810	Cap-distributor	1
	40-2504608	Rotor-distributor	1
	40-2506303	Base Plate and module	1
	20-7302610	Key-ignition switch	1
THERMOSTAT AND FAN BELT			
	40-1092906	Thermostat-engine thermostat control, 180°	1
	20-3009025	Belt-fan and alternator, 51" O.C.	1
ENGINE GASKET SET			
	20-7301586	Kit-Carburetor repair (LP-Gas)	1
	20-7302810	Kit-Carburetor repair (Gasoline)	1
	40-2090651	Kit-gaskets, engine overhaul	1
	40-2090652	Kit-gaskets, valve grinding	1
	35P3009	Kit-regulator repair, LP-Gas	1
HORN BUTTON ASSEMBLY			
	35A1066	Horn Button - assembly	1
TRANSMISSION AND BRAKE KITS			
	20-7380081	Kit-seals, transmission control valve	1
	35R139	Kit-gaskets, transmission overhaul	1
	35P922	Kit-master cylinder repair	1
	35P2200	Kit-wheel cylinder repair	2
TILT CYLINDER KIT			
	20-7302715	Kit-seals, tilt cylinder	1
HYDRALIZER REPAIR AND SEAL KITS			
	20-7380115	Kit-repair, hydralizer	2
	20-7380116	Kit-seals, hydralizer	2
SEALANT			
	20-7301557	Sealant-inching nut, 30cc bottle	—

PARTS GROUP INDEX

	Page		Page
Accelerator Pedal.....	C-7	Ignition Lock Vacuum Switch.....	C-6
Accumulator.....	D-3	Ignition System.....	F-2
Alternator.....	C-8	Instrument Panel.....	C-6
Air Cleaner.....	E-2,E-3	Lamps.....	C-9,C-10
Auxiliary Valves.....	D-9,D-10	Load Alert for Uprights.....	C-11,C-12
Axle Supports.....	C-2	LP-Gas Equipment.....	E-5,E-6
Battery.....	C-8	Manifolds, Engine.....	F-3
Battery Tray.....	C-8	Master Cylinder.....	A-8
Brakes.....	A-16,A-17	Muffler.....	F-3
Brake Linkage.....	A-18	Motor Mounts.....	C-2
Cables for Battery.....	C-8	Neutral Start Switch.....	A-13
Camshaft Engine.....	F-9	Oil Filter, Engine.....	F-11
Carburetor, Gasoline Engine.....	E-4	Oil Filter, Hydraulic Oil.....	D-2
Carburetor,LP-Gas Engine.....	E-6	Oil Filter, Transmission.....	A-15
Choke Control.....	C-6	Oil Pump, Engine.....	F-11
Clutches, Transmission.....	A-12	Overhead Guard.....	C-3
Coil, Ignition.....	F-2	Paint.....	G-2
Connecting Rods, Engine.....	F-7	Pistons and Rings.....	F-7
Control Valve,Lift and Tilt.....	D-6,D-7	Positive Crankcase Breather.....	E-2
Control Valve,Transmission.....	A-13,A-14	Power Steering Booster Cylinder.....	B-6
Converter.....	A-11	Quick Disconnect Coupling, Hyd.....	D-3
Cooling System.....	F-4	Radiator.....	F-4
Counterweight.....	C-3	Rings for Engine.....	F-7
Cowl.....	C-4	Seats.....	C-5
Crankcase, Engine.....	F-6	Spark Plug.....	F-2
Crankshaft, Engine.....	F-7	Starting Motor.....	C-8
Cylinder Head, Engine.....	F-8	Steering Column.....	B-4
Decals.....	G-2	Steering Cylinder.....	B-6
Differential and Cage.....	A-7,A-8	Steering Gear.....	B-3 thru B-5
Distributor, Ignition.....	F-2	Steering Linkage.....	B-7
Dipstick,Transmission.....	A-10	Steering Motor.....	B-5
Dipstick, Engine.....	F-6	Steering Wheel.....	B-2
Dipstick, Hydraulic Tank.....	C-2	Tilt Cylinder.....	D-11
Drive Axle and Wheels.....	A-9	Thermostat, Engine.....	F-4
Fan.....	F-4	Transmission.....	A-12
Flywheel and Housing.....	F-12	Transmission Case.....	A-10
Foot Accelerator.....	C-7	Transmission Controls.....	A-13,A-14
Frame.....	C-2	Transmission Control Valve.....	A-13
Fuel Filler.....	E-4	Valve, Upright Control.....	D-6,D-7
Fuel Pump, Engine.....	E-4	Valves, Intake and Exhaust.....	F-8
Gas Manifolds.....	F-3	Water Pump.....	F-5
Gasket Sets.....	A-6	Wheels, Drive.....	A-9
Gauges.....	C-6	Wheels, Steering.....	B-9
Governor.....	E-4	Wiring Harness.....	C-6
Hood and Side Panels.....	C-4	NUMERICAL INDEX	G-3 thru
Horn.....	C-6		
Horn Button.....	B-2		
Hydralizer and Wheels.....	B-8,B-9		
Hydraulic Oil Lines.....	D-2,D-3		
Hydraulic Pumps.....	D-4,D-5		
Hydraulic Quick Disconnect Coupling.....	D-3		

F O R E W O R D

This catalog contains a complete list of parts for the lift truck. To assist in determining the part numbers and descriptions, the parts in this catalog are grouped according to their location on the lift truck. Reference numbers only are shown in each illustration. These numbers correspond to those in the reference number column in the list of parts which follows each "exploded view".

TYPICAL PARTS ARE SHOWN, AND MAY NOT ALWAYS BE IDENTICAL WITH CURRENT PARTS. REFER TO THE TEXT. "RIGHT OR LEFT" IS DETERMINED BY FACING TOWARD THE UPRIGHT FROM THE LIFT TRUCK SEAT.

To further assist in locating repair parts, the part numbers are arranged in numerical sequence and indexed at the rear of this catalog.

Component parts of assemblies are listed following the assembly itself and are identified as being part of the assembly by this notation following the description:

Consists of the following ... parts or Includes the following ... parts:

Part numbers only make up an assembly. Hardware items are not to be included.

Parts such as standard bolts, nuts, screws, washers, etc., are listed under the respective individual parts with which they are used. The quantity for many of the shims listed is shown as A.R. (as required). The correct amount of shims should be determined in order to get the proper clearance. Bolts and nuts listed are standard Grade 5, special grades will be shown in text.

Occasionally new part numbers replace old numbers in the Part No. column. In those cases where the new number substitutes for the old number, the old number will be enclosed in parenthesis and it will appear at the end of the text in the description column.

When in need of repair parts, order from your local dealer. All parts orders should plainly specify your name, post office address, and whether shipment is to go by parcel post, express, or freight. Claims of shortage or breakage should be made to the transportation company on receipt of goods.

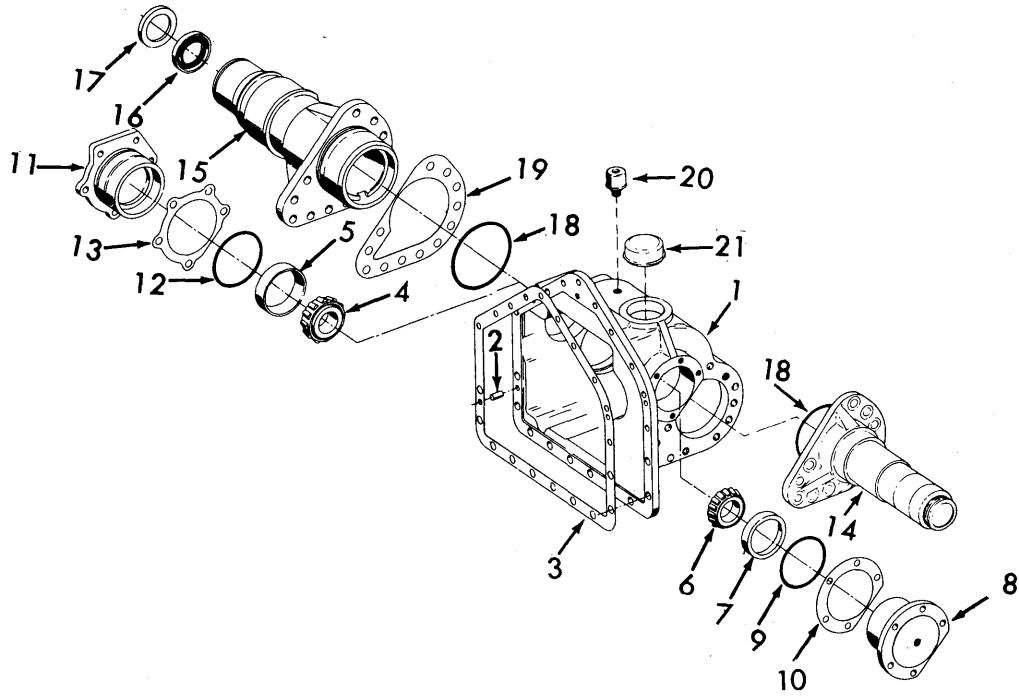
Before returning repair parts to the factory or parts depot, it is necessary to secure written permission from the Company authorizing the return of such parts. In the returning of repair parts be sure the package is tagged with your name and address. Prepay transportation charges.

It is the policy of the Company to improve its products whenever it is possible and practical to do so. We reserve the right to make changes or add improvements in the design or construction of parts at any time without incurring the obligation to install such changes on products previously delivered.

GROUPS

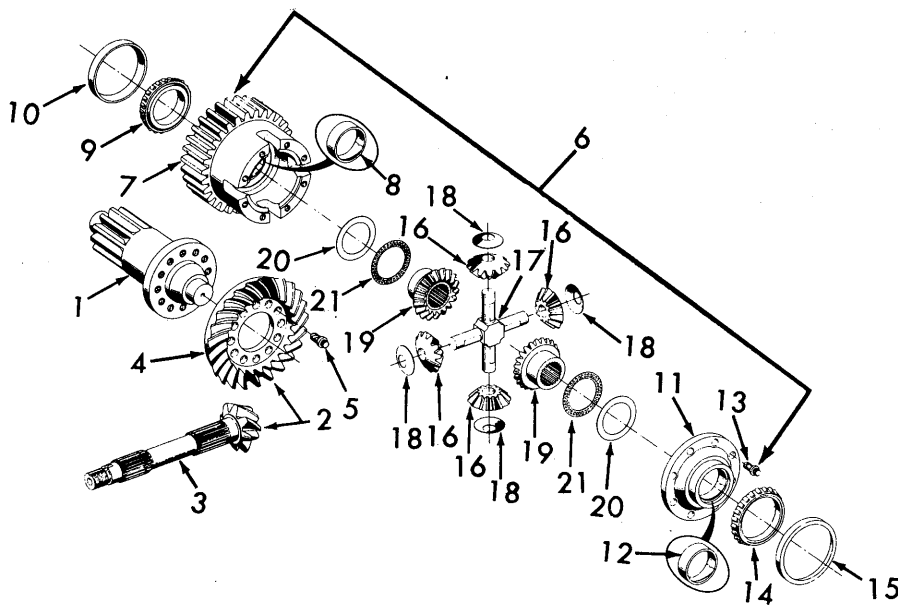
- A - Drive Wheels, Differential, Transmission and Brakes
 - B - Steering, Hydralizer and Steer Wheels
 - C - Frame, Driver Compartment and Wiring Harness
 - D - Hydraulics
 - E - Carburation and LP-Gas Systems
 - F - Engine and Accessories
 - G - Decals, Paint and Index
-

Ref. No.	Part No.	DESCRIPTION	No. Pcs.	
		GASKETS AND REPAIR KITS		
	40-2090651	Kit-gaskets, engine overhaul	1	
	40-2090652	Kit-gaskets, valve grinding	1	
	40-2035077	Kit-water pump repair	1	
	20-7302810	Kit-carburetor repair, gasoline	1	
	20-7301586	Kit-regulator repair, LP-Gas	1	
	35P922	Kit-master cylinder repair	1	
	35P2200	Kit-wheel cylinder repair	2	
	20-7302715	Kit-tilt cylinder repair	2	
	20-7380073	Kit-repair, hydraulic pump	1	
	35R139	Kit-gasket, transmission overhaul Consists of the following:	1	
	7-10A3397	Washer	1-35A12506	Gasket
	3-10A7956	O-Ring	1-35P613	Seal
	1-35A317	Gasket	1-50A767	O-Ring
	3-35A341	Ring	1-50A768	Ring
	1-35A993	Ring	1-50A961	O-Ring
	1-35A5192	Gasket	1-50A1745	Washer
	1-35A5439	Shim	1-50A1763	O-Ring
	1-35A10947	Gasket	7-50A1829	Stat-o-seal
	1-35A7304	Gasket	5-50A2878	O-Ring
	1-35A12294	Shim	1-20-3000701	Ring
	20-738081	Kit-seals, transmission control valve Consists of the following:	1	
	7-20-3009707	O-Ring	2-20-3003038	Seal
	1-10A16405	O-Ring	1-35A8008	Seal *
	2-10A16329	Seal	1-35A12506	Gasket
			1-50A5180	O-Ring
	20-7380115	Kit-repair, hydralizer Consists of the following:	2	
	1-20-3009347	Bushing	1-20-3009528	Seal
	1-20-3009395	Seal	1-35A5174	O-Ring
	1-20-3009695	Bushing	1-50A1727	Seal
	20-7380116	Kit-seals, hydralizer Consists of the following:	2	
	1-35A5174	Retainer	1-20-3009528	Seal
	1-35A6404	Seal *	1-50A1727	O-Ring
	1-20-3009395	Seal	1-50A1760	O-Ring *
		Note (*) Parts in kits not used.		



DIFFERENTIAL CASE AND HOUSINGS

Ref. No.	Part No.	DESCRIPTION	No. Pcs.	Ref. No.	Part No.	DESCRIPTION	No. Pcs.
1	20-7370036	Case-Inc.Ref.#2	1	13	35A8241	Shim-LH,.002	AR
	50A1164	Screw-12pt.½ x 1¼	8	13	35A8242	Shim-LH,.003	AR
	50A1441	Screw-12pt.3/8 x 1¼	12	13	35A8243	Shim-LH,.005	AR
	50A1685	Washer-lock,3/8	12	14	20-7370037	*Housing-RH,Inc.16&17	1
	50A6022	Plug-hex,3/4-14	1	14	20-7370053	+Housing-RH,Inc.16&17	1
2	10A11543	Pin-dowel,3/8 x 3/4	2	15	35B8364	*Housing-LH,Inc.16&17	1
3	20-3001592	Gasket-diff.,.015	1	15	20-7370054	+Housing-LH,Inc.16&17	1
4	10A7059	Bearing-LH	1		50A1642	*Screw-12 pt,1/2X1	22
5	10A7060	Cup-bearing,LH	1		50A1166	+Screw-12 pt.1/2X1-3/4	10
6	10A7051	Bearing-RH	1		50A1164	+Screw-12 pt.1/2X1-1/4	12
7	10A7052	Cup-bearing,RH	1		Note (*)	On standard drive axle	
8	20-3011120	Cup-bearing,RH	1		Note (+)	On wide drive axle	
9	50A1743	O-Ring-cap,3-3/16 OD	1	16	35A9511	Seal-housing	2
	50A3666	Bolt-hex,3/8-16X1	5	17	35A8493	Collar-seal ret.	2
10	35A5442	Shim-cap,RH,.002	AR	18	M333	O-Ring-4¼ OD	2
10	35A5441	Shim-cap,RH,.003	AR	19	35A5448	Shim-housing,.002	AR
10	20-3010328	Shim-cap,RH,.010	AR	19	35A5447	Shim-housing,.003	AR
11	20-3011121	Cap-bearing,LH	1	19	35A5446	Shim-housing,.005	AR
12	50A1744	O-Ring-cap,3-7/16	1	19	35A8711	Shim-housing,.020	AR
	50A3666	Bolt-hex,3/8-16X1	2	19	35A7276	Shim-housing,.022	AR
	50A3669	Bolt-hex,3/8-16X1-3/4	3	20	35A5891	Breather,1/4	1
	30A1301	Spacer-shift brkt.,9/16	3	21	35A558	Plug-2-11/16	1



BULL PINION SHAFT AND DIFFERENTIAL CAGE

Ref. No.	Part No.	DESCRIPTION	No. Pcs.	Ref. No.	Part No.	DESCRIPTION	No. Pcs.
1	35A9485	Shaft-bull pinion,12T.	1	11	36A7807	*Cover-w/bush.RH	1
2	20-6007679	Ring Gear & Pinion Inc. Ref.#3 & 4:	1	12	35A8492	*Bushing-ream to fit	1
3	35A7803	Pinion-8 teeth	1	13	35A12566	*Bolt-12pt.3/8x3/4	8
4	35A7819	Ring Gear-25T.	1	14	35A8235	*Bearing-cage cover	1
5	20-3000435	Bolt-12pt.lock,7/16x7/8	12	15	35A8236	Cup-cage cover	1
6	20-7380067	Cage-assy.(Inc.*)	1	16	35A9451	*Pinion-cage,12T.	4
7	20-6009338	*Cage-w/bsh.30T	1	17	35A7809	*Shaft-pinions	1
8	35A8492	*Bushing-ream to fit	1	18	20-3006635	*Washer-thrust	4
9	35A8237	*Bearing-cage,LH	1	19	35A9452	*Gear-bevel,18T.	2
10	35A8238	Cup-cage,LH	1	20	35A7814	*Race-brg.2-23/32	2
				21	35A7815	*Bearing-thrust	2