

## Volvo Xc90 2011 Wiring Diagram

Full download: <http://manualplace.com/download/volvo-xc90-2011-wiring-diagram/>



VOLVO XC90

# WIRING DIAGRAM 2011



TP 39179202

## Vehicles with SRS (Airbag)/SIPS bag/IC (Inflatable curtain)

### Warning!

Extra caution must be exercised when working on vehicles equipped with SRS/SIPS bag/IC in order to avoid:

1. Personal injuries when performing repair work.
2. Damage or malfunction of the SRS/SIPS bag/IC system.

Work involving the SRS/SIPS bag/IC systems or other components in the vehicle that may affect the SRS/SIPS bag/IC systems must always be performed by an authorized Volvo workshop.

In case of doubt, consult the SRS and SIPS bag/IC service manual.

### Is the vehicle equipped with SRS/SIPS bag/IC?

Vehicles with SRS are most easily recognized by the letters SRS in the center of the steering wheel. If the vehicle also has a passenger side airbag, the letters SRS are stamped on the dashboard above the glove compartment. SRS vehicles from 1993 and onward also have explosive seat belt tensioners. SIPS bags are only installed on SRS vehicles from 1995 and onward. SIPS bag decals are located on the windshield and seat compartment. Vehicles with IC can be recognized by the letters IC on the C/D panel (4 door) or the B panel (5 door).

### General recommendations

- Be especially careful when working on or around SRS, SIPS, and IC components.
- Make sure that no wires are pinched, frayed, or pierced.
- Never fit accessories by the sensors.
- Where applicable, work on the steering wheel, steering shaft, or steering gear must be done in accordance with the methods in the SRS section of VIDA.
- Certain components of the aforementioned systems must be grounded while working. Read the appropriate sections in VIDA.
- Install no accessories in the areas between the A and B-posts, the B and C-posts, and the C and D-posts.

### Test terminal

Fuse in cargo compartment auxiliary fuse box.

### Changes introduced up to and including January 2009

Any changes made to the vehicle after this date are not included in the manual. If necessary, refer to service bulletins.

Volvo models are sold in versions adapted for different markets. These adaptations depend on factors such as legal requirements, taxation, and market demands.

This manual may therefore include illustrations and text that do not apply to the vehicles in your country.

### Ordering:

Electronic Wiring Diagrams (EWD) can be ordered from the Technical Information Shop (TIS) at  
[www.volvocarstechinfo.ford.com](http://www.volvocarstechinfo.ford.com)

# Table of Contents 1:3

Vehicles with SRS (Airbag)/SIPS bag/IC (Inflatable curtain) 2	
Explanations .....	6
Abbreviations .....	6
How to use the wiring diagrams 1:2.....	7
Electrical distribution 1:2.....	9

## Fuses

Engine compartment 11A/1-5.....	11
Engine compartment 11B/1-11 .....	12
Engine compartment 11B/12-14.....	13
Engine compartment 11B/15 .....	14
Engine compartment 11B/16-21.....	15
Passenger compartment 11C/1-4.....	16
Passenger compartment 11C/5-7.....	17
Passenger compartment 11C/8-10.....	18
Passenger compartment 11C/11-14.....	19
Passenger compartment 11O/1-2.....	20
Cargo compartment 11E/1-7 .....	21
Cargo compartment 11L/1 .....	22
Cargo compartment 11O/6-12.....	23
Central electronic module (CEM) F1-F11.....	24
Central electronic module (CEM) F15-F34.....	25
Rear electronic module (REM) F1-F7.....	26
Rear electronic module (REM) F8-F28.....	27
Rear electronic module (REM) F29-F38.....	28

## Relays

Ignition switch and relays.....	29
Engine compartment FMA1 - FST3.....	30
Cargo compartment R1-R3.....	31
Other relays .....	32

## Ground connections

Overview.....	33
31/1 - 31/44 .....	34
31/46 - 31/67 .....	35
31/70 - 31/83 .....	36
31/84 - 31/88 .....	37

31/89 - 31/93.....	38
31/94 - 31/102.....	39
31/120 - 31/121.....	40

## Control modules

Overview locations.....	41
Overview designations.....	42
Central electronic module (CEM) 1:2.....	43
Rear Electronic Module (REM) 1:2 .....	45
Data communication high speed CAN .....	47
Data communication Low speed CAN .....	48
Data communication, LIN 1:2.....	49
Data communication MOST.....	51

## Group 23 Fuel system

Engine management system, Diesel 1:3 .....	52
Engine management system, 5-Cyl. Turbo 1:2.....	55
Engine management system, 6-Cyl. 1:2 .....	57
Engine management system, 8-Cyl. 1:2 .....	59
Emission control 5-Cyl. Turbo.....	61
Emission control 6-Cyl. ....	62
Emission control 8-Cyl. ....	63

## Group 26 Cooling system

Cooling fan 5-Cyl. ....	64
Cooling fan, Diesel, 6-Cyl. & 8-Cyl.....	65

## Group 27 Engine controls

Cruise control 5-Cyl. ....	66
Cruise control, Diesel, 6-Cyl. & 8-Cyl.....	67

## Group 32 Alternator and voltage regulator

Power supply .....	68
--------------------	----

## Group 33 Starting system

Starting system 5-Cyl.....	69
Starting system, Diesel, 6-Cyl. & 8-Cyl.....	70

## Table of Contents 2:3

### Group 35 Lighting

High and low beam/(Dual-Xenon) & Daytime Running Lights	71
Active headlights (ABL)	72
Fog lights	73
Brake lights	74
Reversing lights	75
Follow-me-home lighting	76
Running/parking light, tail lights & license plate lighting	77
Interior lighting	78
Beam length adjustment	79
Auxiliary lights	80

### Group 36 Additional electrical equipment

Rain sensor	81
Direction indicator and hazard warning flashers	82
Wiper/Washer Windshield	83
High pressure headlight washer	84
Wiper/Washer Rear window	85
Horn	86
Immobilizer	87
Anti-theft alarm	88
Parking assistance	89
Alcohol lock	90
Accessory Electronic Module (AEM) 1:2	91

### Group 37 Wiring and fuses

Diagnostics system	93
Outlet 12 V	94
Cable harness towbar/tow hitch 4/7 pin	95
Cable harness towbar/tow hitch 7-pin	96
Cable harness towbar/tow hitch 13-pin	97
Accessory USB unit (AUU)	98

### Group 38 Instruments

Seat belt reminder	99
--------------------	----

Driver information module 5-Cyl.	100
Driver information module Diesel	101
Driver information module 6-Cyl.	102
Driver information module 8-Cyl.	103

### Group 39 Other

Audio with external amplifier	104
Audio with internal amplifier	105
Navigation system, portable	106
Road Traffic Information (RTI)	107
Satellite radio	108
Rear seat entertainment	109
Rear seat entertainment, accessory	110
Infotainment	111
Rear set entertainment roof mounted	112
Parking camera	113
Parking camera & AEM	114
Bluetooth handsfree, external amplifier	115
Bluetooth handsfree, internal amplifier	116
Bluetooth handsfree with AEM, internal amplifier, LHD	117
Bluetooth handsfree with AEM, internal amplifier, RHD	118
Bluetooth handsfree with AEM, external amplifier, LHD	119
Bluetooth handsfree with AEM, external amplifier, RHD	120

### Group 43 Transmission

Automatic transmission AW51 AWD	121
Automatic transmission TF-80SC AWD 8-Cyl.	122
Automatic transmission TF-80SC/TF-80SC AWD 6-Cyl. & Diesel	123
Geartronic AW51 AWD	124
Shift lock AW51 AWD & Manual	125
Differential Electronic Module (DEM)	126

# Table of Contents 3:3

## Group 59 Brake system

Brake control system .....	127
----------------------------	-----

## Group 64 Steering

Speed dependent power steering.....	128
-------------------------------------	-----

## Group 83 Doors and openings

Central locking .....	129
Power windows.....	130
Power sunroof.....	131

## Group 84 Exterior decorative elements, etc.

Power door mirrors .....	132
Blind spot information system.....	133
Heated door mirrors.....	134
Heated rear window.....	135

## Group 85 Interior equipment

Power driver's seat .....	136
Power passenger seat.....	137
Heated seats.....	138
Massage seats with ventilation.....	139
Heated seats second row of seats.....	140

## Group 87 Climate control system

Climate control system, 5-Cyl. 1:2.....	141
Climate control system, Diesel, 6-Cyl. & 8-Cyl. 1:2 ...	143
Climate control system, rear.....	145
Parking heater, auxiliary heater .....	146
Parking heater, remote start .....	147

Relay, electric engine heater .....	148
-------------------------------------	-----

## Group 88 Internal equipment

Remote control garage opening.....	149
Supplemental restraint system.....	150

## Connectors.....151

## Branching points .....177

## Cable harness routine in vehicle

Engine harness Gasoline 5-Cyl. ....	187
Engine harness Gasoline 6-Cyl. ....	188
Engine harness 8-Cyl.....	188
Diesel engine harness .....	189
Engine compartment harness LHD.....	190
Engine compartment harness RHD.....	191
Harness passenger compartment LHD.....	192
Harness passenger compartment RHD.....	193
Cargo compartment harness .....	194
Roof harness .....	195
Tailgate harness .....	195
Harness doors .....	196
Executive harnesses.....	197

## Component illustrations .....198

## Index 1:3 .....251

## List of components 1:7 .....254

# Explanations

## Abbreviations

### Groups

Group 23	= Fuel system
Group 26	= Cooling system
Group 27	= Engine controls
Group 32	= Alternator and voltage regulator
Group 33	= Starting system
Group 35	= Lighting
Group 36	= Additional electrical equipment
Group 37	= Wiring and fuses
Group 38	= Instruments
Group 39	= Other
Group 43	= Transmission
Group 59	= Brake system
Group 64	= Steering
Group 76	= Shock absorbers
Group 83	= Doors and openings
Group 84	= Exterior decorative elements, etc.
Group 85	= Interior equipment
Group 87	= Climate control system
Group 88	= Internal equipment

### Ignition switch symbols

X	= Accessories (audio position)
S	= Powered upon insertion of key
15	= Contact remains connected during start
15I	= Contact is broken while starting
30	= Constant power from the battery
50	= Start

### Countries/Markets

A	= Austria
AUS	= Australia
B	= Belgium
CDN	= Canada
CH	= Switzerland
D	= Germany
DK	= Denmark
E	= Spain
EU/OS	= Markets outside USA and Canada
FIN	= Finland
GB	= Great Britain
ISR	= Israel
J	= Japan
KOR	= Korea
N	= Norway
NL	= Netherlands
S	= Sweden
USA	= United States of America
WEU	= Western Europe

### Other

ABL	= Active Dual Xenon headlights
ACC	= Accessories
Ag	= Silver plated
Au	= Gold plated
AUDIO	= Audio system
AUTO	= Automatic transmission
BLIS	= Blind spot information system
CEM	= Central Electronic Module
DIESEL	= D5244 T4/T5/T6/T7
DRL	= Daytime Running Lights
DSTC	= Dynamic Stability Traction Control
Du-X	= Dual Xenon
ECC	= Electronic climate control system
ECPS	= Electronic power steering
EXC	= Exclusive
EXT. D	= Extended electrical distribution
HISPEED	= High speed data bus
LH	= Left-hand side
LHD	= Left-hand drive
LOSPEED	= Low speed data bus
MAN	= Manual transmission
MCC	= Manual Climate Control
PCL	= Power Child Lock
PETROL	= Gasoline
REM	= Rear Electronic Module
RH	= Right-hand side
RHD	= Right-hand drive
RTI	= Road Traffic Information
SRS	= Airbag
T	= Turbocharged engine
W/O	= Without
5CYL	= 5-cylinder engine
6CYL	= 6-cylinder engine
8CYL	= 8-cylinder engine

### Colors

BL	= Blue
BN	= Brown
GN	= Green
GR	= Gray
NL	= Natural
LBL	= Light Blue
LGN	= Light Green
OR	= Orange
P	= Pink
R	= Red
SB	= Black
VO	= Violet
W	= White
Y	= Yellow

# How to use the wiring diagrams 1:2

The descriptions below apply in general to all wiring diagram manuals, although not all sections are necessarily contained in this manual.

## A. Component designation

Every component has a component designation that consists of two parts.

The first part is a type number that describes the type of component in question, for example 3/xx.

The second part of the designation is a serial number, e.g. x/2.

Together, this constitutes a component designation, e.g. 3/2.

At the end of the manual is a list of components, where, with the help of the component designation, you can read off the name of the component, for example, 3/2 = light switch.

## List of type numbers

The list shows which type of component that respective type numbers refer to, for example, 3/x = switch, 6/x = electric motor, etc.

1	Battery
2	Relay
3	Switch
4	Control module
5	Driver information module
6	Electric motor
7	Sensor
8	Actuator
9	Heating element
10	Light
11	Fuse
15	Electrical distribution rail/box
16	Audio
17	Service/diagnostics
18	Contact reel
19	Meter
20	Ignition component/shunt
26	Converter
27	Optics
31	Ground connection
53	Branching point
54	Connector

The systems are shown in non-active status. i.e. with "key removed" and when the doors, hatches and hood are closed.

## B. Branching points

The wiring diagrams contain numbered junction points, e.g. 53/352.

This manual contains a section with a list of branching points. This list shows all the components that are connected to each branching point.

The location of the branching points is shown in the "Cable harness routing in vehicle" section.

## C. Connectors

Connectors provide a bridge between two cable harnesses and are described in the "Connectors" section.

## D. Electrical distribution

Operation of the fuses and relays is shown in the "Electrical distribution" section.

## E. Data communication

Today's cars are equipped with CAN, LIN & MOST networks that transmit information. Connections to these networks are not shown in their entirety on the respective wiring diagram. Complete information on Data communication can be found in the section entitled "Control modules".

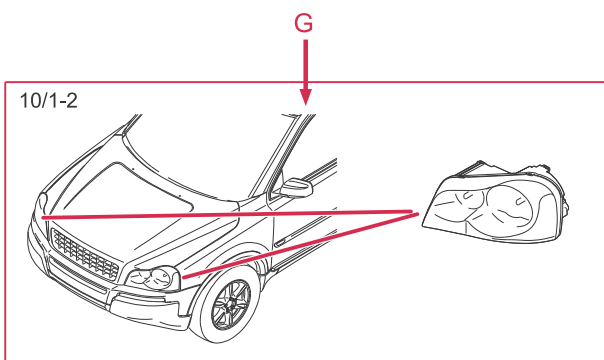
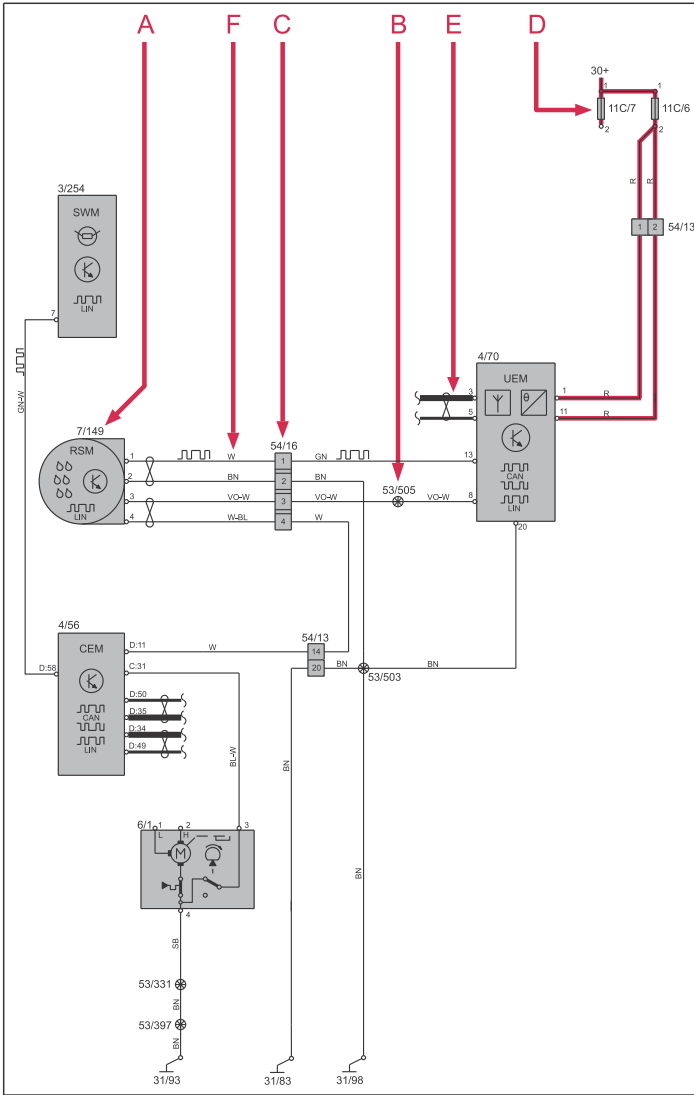
## F. Abbreviations

A number of different abbreviations are used in the manual. These are explained in the section "Abbreviations".


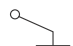

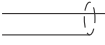




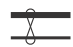







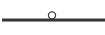

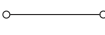


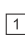
## G. Component location

There is a section at the end of the manual in which the appearance and location of components is described in numerical order.

# How to use the wiring diagrams 2:2

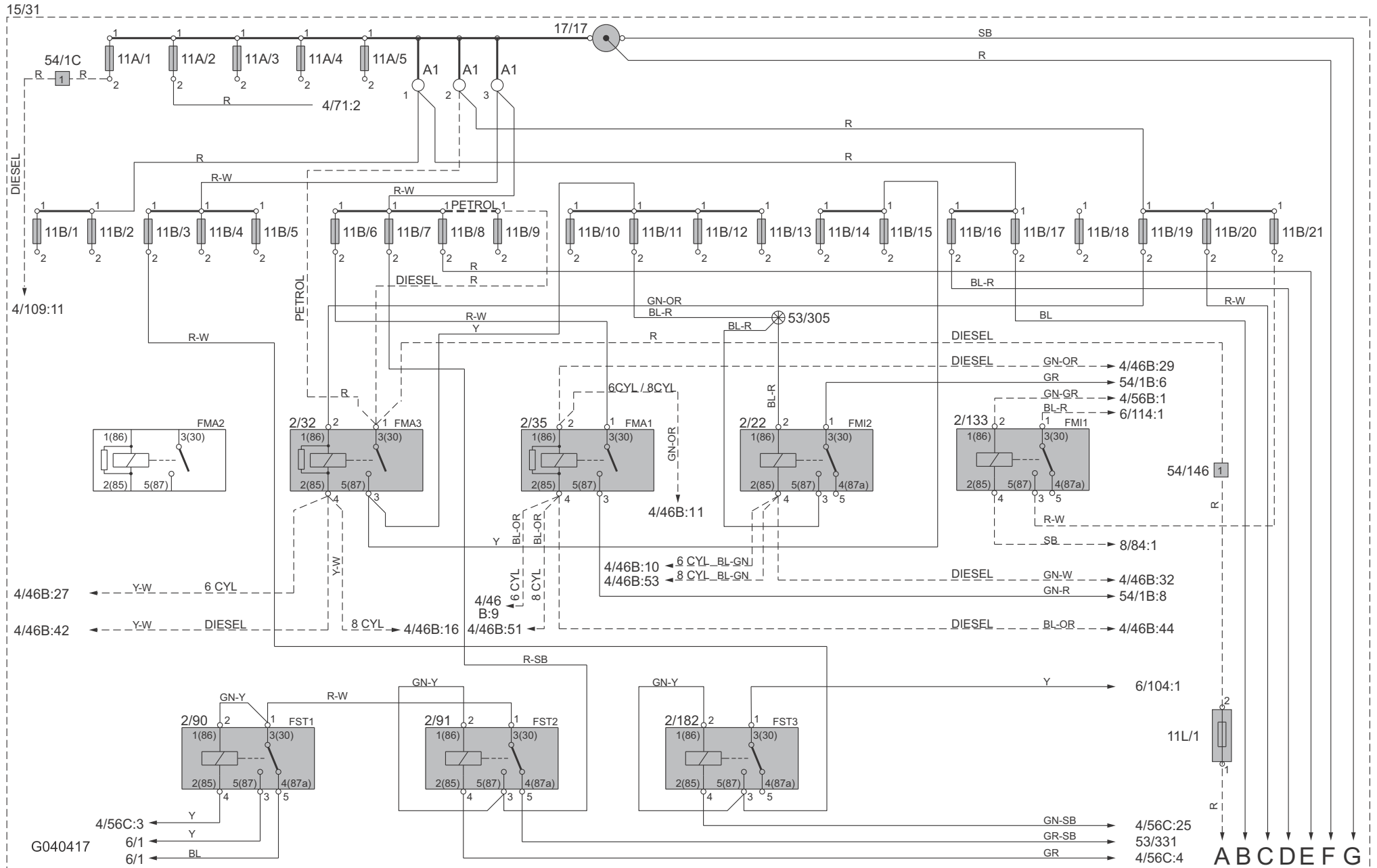


## List of symbols

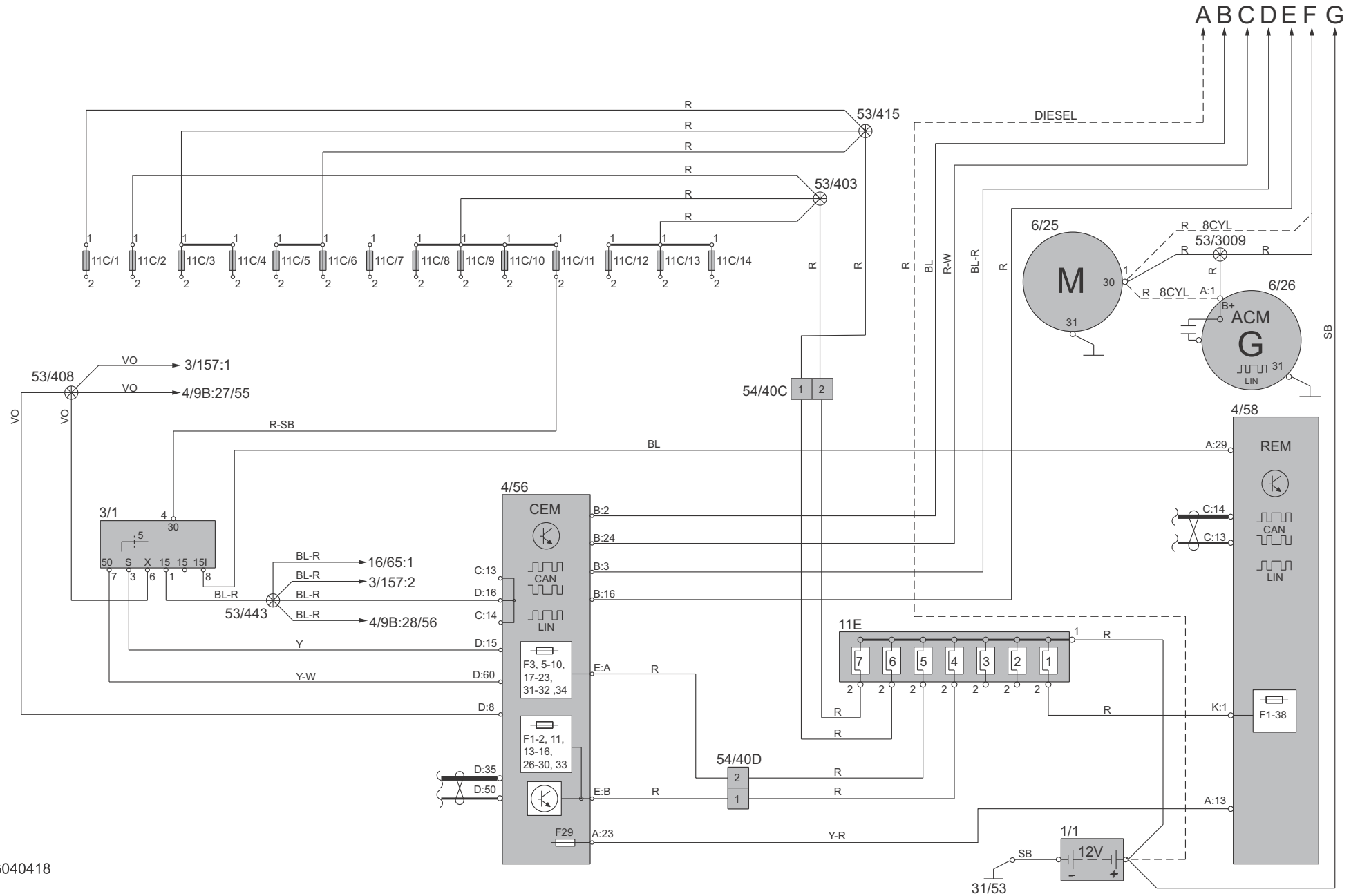
-  = System voltage
-  = Ground connection via wiring
-  = Ground connection in component/chassis
-  = Screened wire
-  = Junction point
-  = Twisted cable
-  = Electrical connection
-  = Variant
-  = CAN communication
-  = CAN high data signal (CAN H)
-  = CAN low data signal (CAN L)
-  = LIN communication
-  = LIN communication
-  = DIN cable, coaxial cable, etc.
-  = Data communication
-  = CAN communication
-  = MOST communication
-  = MOST communication
-  = Connection with distribution box
-  = Further connection to...
-  = Connector between cable harnesses
-  = Connector connected in component



# Electrical distribution 1:2 Overview



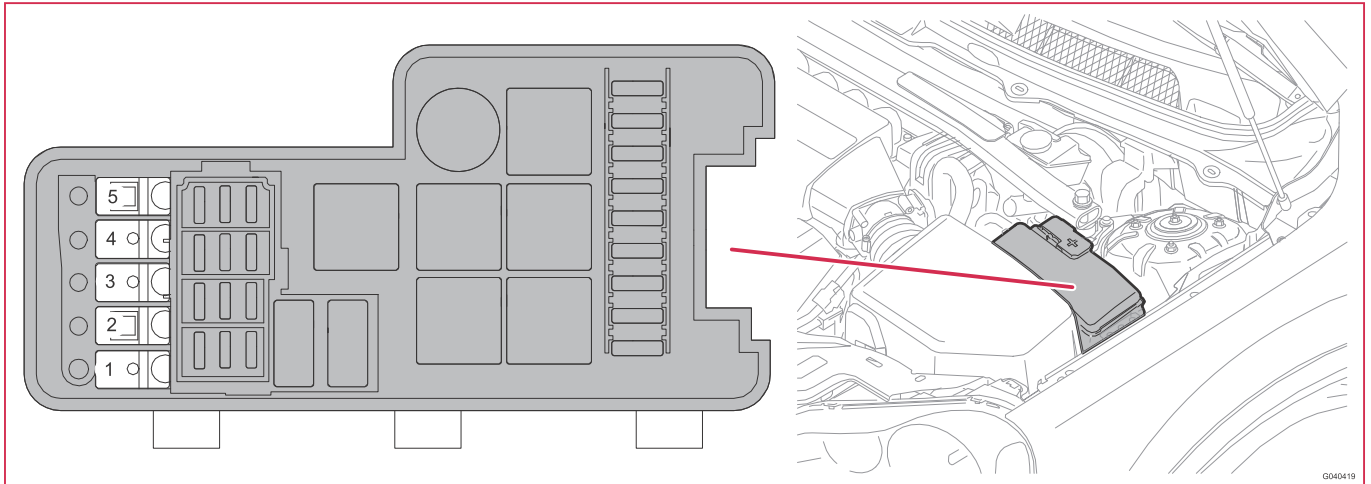
# Electrical distribution 2:2 Overview



G040418

# Fuses

## Engine compartment 11A/1-5

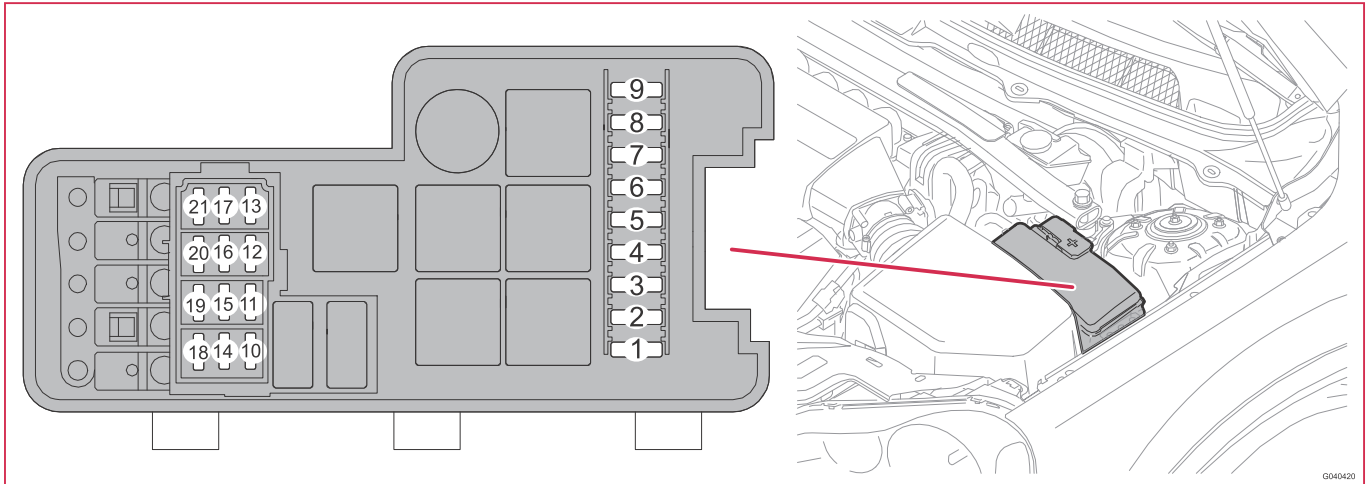


### 11A Fuses in the engine compartment

No.	Fuse function	via	A
1	4/109 Glow plug control unit (GCU) 20/22-26 Glow plug	- 4/109	60
2	6/29 Cooling fan motor, Diesel	4/71	60
3	-	-	-
4	-	-	-
5	-	-	-

# Fuses

## Engine compartment 11B/1-11

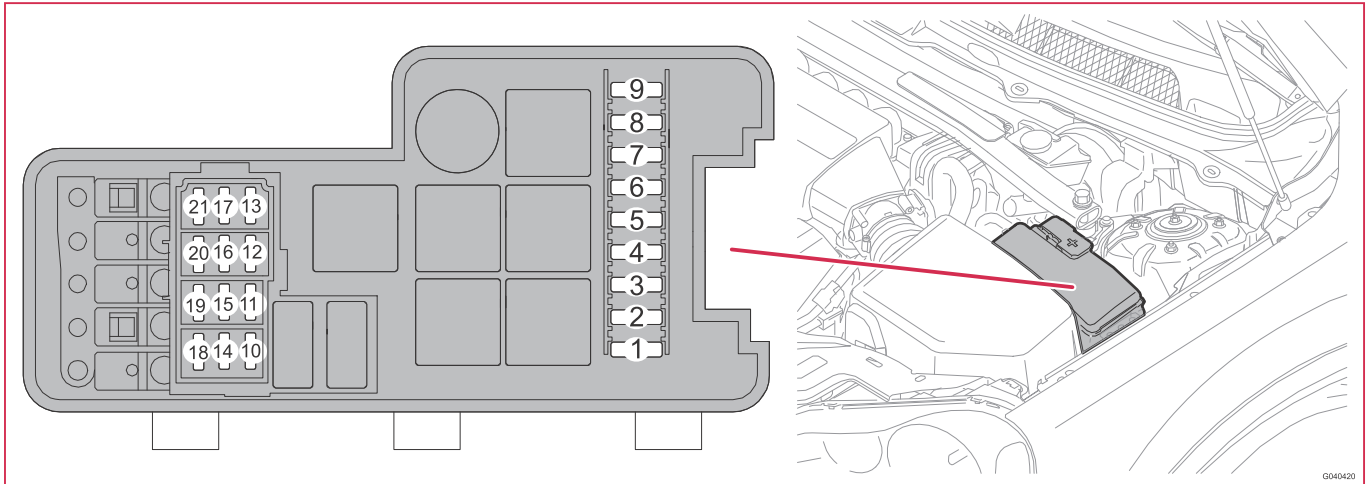


### 11B Fuses in the engine compartment

No.	Fuse function	via	A
1	4/16 Brake Control Module (BCM)	-	30
2	4/16 Brake Control Module (BCM)	-	30
3	6/104 High pressure headlight washer motor	2/182	35
4	6/35 Fuel pump, auxiliary heater 6/73 Coolant pump, auxiliary heater 9/30 Auxiliary heater	4/7 4/7 4/7	25
5	54/8 Connector, cable harness, auxiliary lights, 30-feed	-	20
6	6/25 Starter motor	2/35	35
7	2/90 Relay, windshield wiper, low/high speed 2/91 Relay, intermittent wiping 6/1 Windshield wiper motor	2/91 - 2/90, 2/91	25
8	4/83 Fuel pump control module 6/33 Fuel pump	4/56 4/56	15
9	4/28 Transmission Control Module (TCM), TF-80SC/TF-80SC AWD	-	15
10	4/46 Engine Control Module (ECM), Diesel 20/3-8 Spark plug and ignition coil, not 8-Cyl. 20/14 Condenser, ignition coils, 8-Cyl. 20/46-53 Spark plug with ignition coil, 8-Cyl.	- - - -	20
11	6/44 Cooling fan, electrics box, engine compartment 7/51 Accelerator pedal sensor 8/3 Electromagnetic clutch, climate control system	- - 2/22	10
continues			

# Fuses

## Engine compartment 11B/12-14

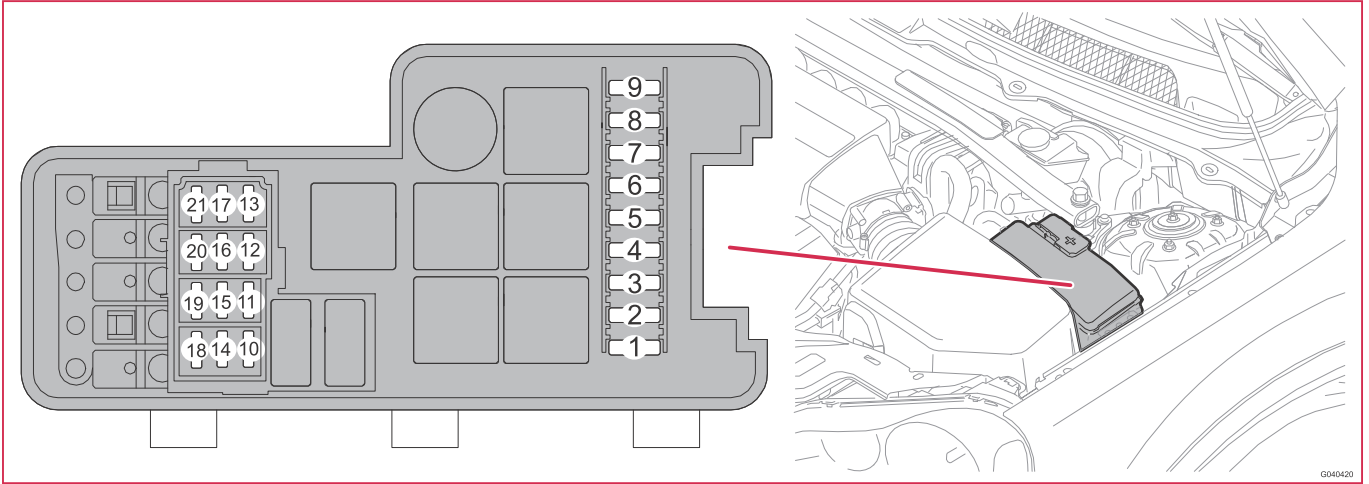


### 11B Fuses in the engine compartment

No.	Fuse function	via	A	
12	7/17 Mass air flow sensor (MAF), Diesel	-	5	
	4/46 Engine Control Module (ECM), Gasoline not 8-Cyl.	-	15	
	7/17 Mass air flow sensor (MAF), Gasoline not 8-Cyl.	-		
	8/6-11 Injection valves, Gasoline not 8-Cyl.	-		
	8/146-8/153 Injection valves, 8-Cyl.	-		
	13	4/46 Engine Control Module (ECM), 8-Cyl.		-
6/120 Throttle unit, 8-Cyl.	4/46			
14	4/46 Engine Control Module (ECM), Diesel	-	15	
	6/118 Swirl throttle control motor, Diesel	4/46		
	6/120 Throttle unit, Diesel	4/46		
	6/139 Upper actuating motor, intake manifold	-		
	6/140 Lower actuating motor, intake manifold	-		
	8/98 Control valve fuel pressure, Diesel	4/46		
	8/111 Control valve fuel flow	4/46		
	14	7/15 Heated oxygen sensor, Diesel		-
7/15 Heated oxygen sensor		-	20	
7/82 Heated oxygen sensor, diagnosis 1		-		
7/103 Heated oxygen sensor 3		-		
7/15 Front oxygen sensor, bank 2, 8-Cyl.		-	20	
7/82 Front oxygen sensor, bank 1, 8-Cyl.		-		
7/103 Rear oxygen sensor, bank 2, 8-Cyl.		-		
7/104 Rear heated oxygen sensor, bank 1, 8-Cyl.		-		
continues				

# Fuses

## Engine compartment 11B/15

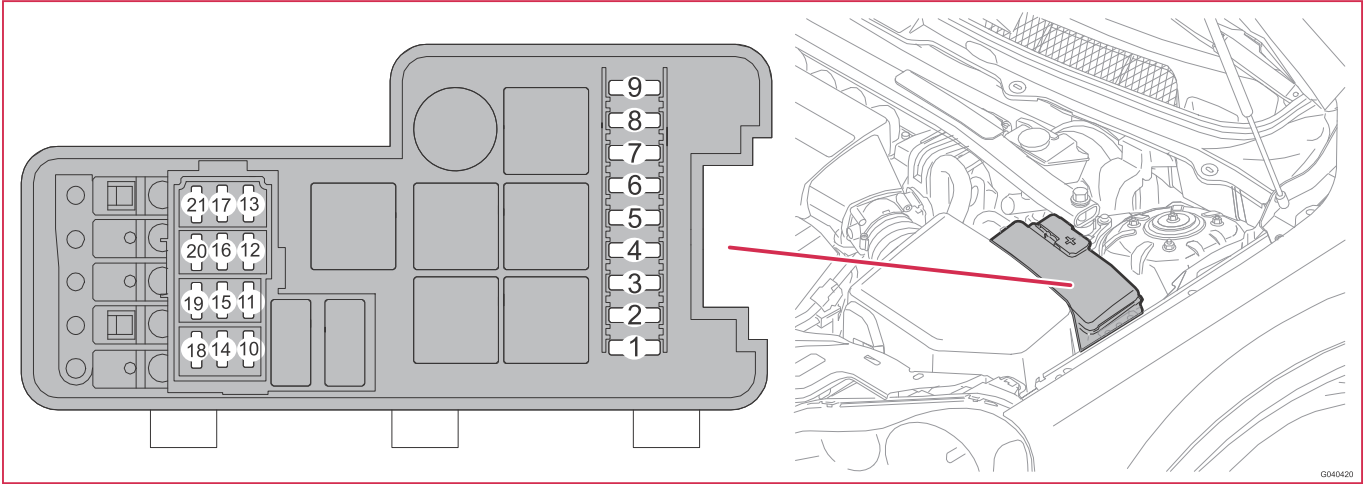


### 11B Fuses in the engine compartment

No.	Fuse function	via	A
15	6/67 Pump, fuel leakage control	-	10
	8/18 EVAP valve	-	
	8/19 Solenoid, variable valve timing, intake	-	
	8/28 Turbo control valve	-	
	8/81 Solenoid, variable valve timing, exhaust	-	
	9/32 PTC resistor, crankcase ventilation	-	
8/125	Variable valve lifter, front plane, 6-Cyl.	-	15
	8/126 Variable valve lifter, rear plane, 6-Cyl.	-	
4/46	Engine Control Module (ECM), 8-Cyl.	-	
6/67	Pump, fuel leakage control, 8-Cyl.	-	
7/17	Mass air flow sensor (MAF), 8-Cyl.	-	
8/3	Electromagnetic clutch climate control system, 8-Cyl.	-	
8/18	EVAP valve, 8-Cyl.	-	
8/19	Solenoid, variable valve timing, intake, bank 2, 8-Cyl.	-	
8/81	Solenoid, variable valve timing, exhaust, bank 2, 8-Cyl.	-	
8/107	Variable intake valve, 8-Cyl.	-	
8/117	Solenoid, variable valve timing, intake, bank 1, 8-Cyl.	-	
8/118	Solenoid, variable valve timing, exhaust, bank 1, 8-Cyl.	-	
4/109	Glow plug control unit (GCU)	-	
6/143	Turbo control motor, Diesel	-	
8/64	Solenoid valve, engine pad, Diesel	-	
8/113	Bypass valve, EGR cooling, Diesel	-	
8/120	EGR valve, Diesel	-	
continues			

# Fuses

## Engine compartment 11B/16-21

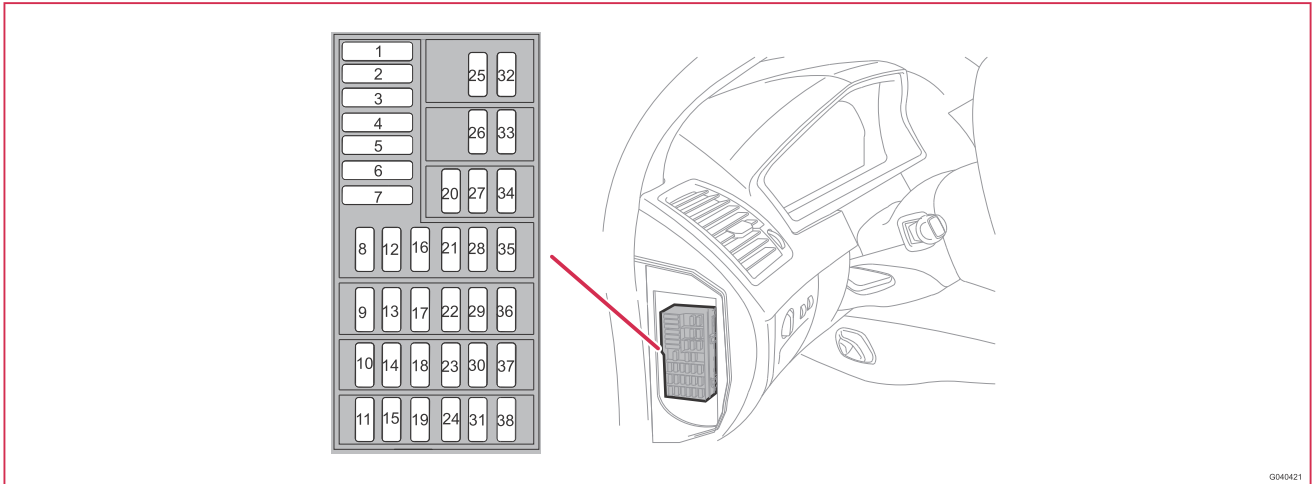


### 11B Fuses in the engine compartment

No.	Fuse function	via	A
16	10/1 Left front lamp housing, daytime running lights	4/56	20
	10/70 Left-hand low beam	4/56	
17	10/2 Right front lamp housing, daytime running lights	4/56	20
	10/66 Right-hand low beam	4/56	
19	2/32 Main relay, engine management system	-	5
	4/46 Engine Control Module (ECM)	-	
20	10/11 Front left running/parking light	4/56	15
	10/12 Front right running/parking light	4/56	
	10/71 Side running light, front left	4/56	
	10/73 Side running light, front right	4/56	
21	6/114 Vacuum pump	2/133	20

# Fuses

## Passenger compartment 11C/1-4



GS4M21

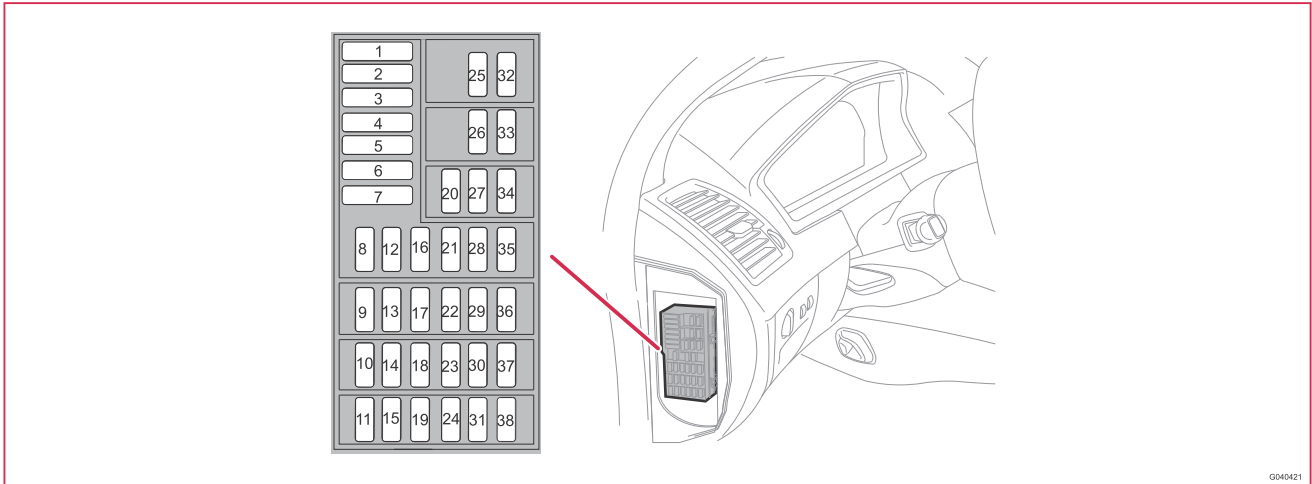
### 11C Fuses in the passenger compartment

No.	Fuse function	via	A
1	6/28 Motor, passenger compartment fan	4/31	30
2	16/105 Audio module (AUD)	-	30
3	4/52 Power Seat Module (PSM)	-	25
	6/16 Driver seat motor, backrest angle	4/52	
	6/17 Driver seat motor, up/down front edge	4/52	
	6/18 Driver seat motor, up/down rear edge	4/52	
	6/19 Driver seat motor, forward/backward	4/52	
4	6/20 Passenger seat motor, forward/backward	3/27	25
	6/64 Passenger seat motor, backrest angle	3/27	
	6/65 Passenger seat motor, up/down front edge	3/27	
	6/66 Passenger seat motor, up/down rear edge	3/27	
continues			



# Fuses

## Passenger compartment 11C/5-7



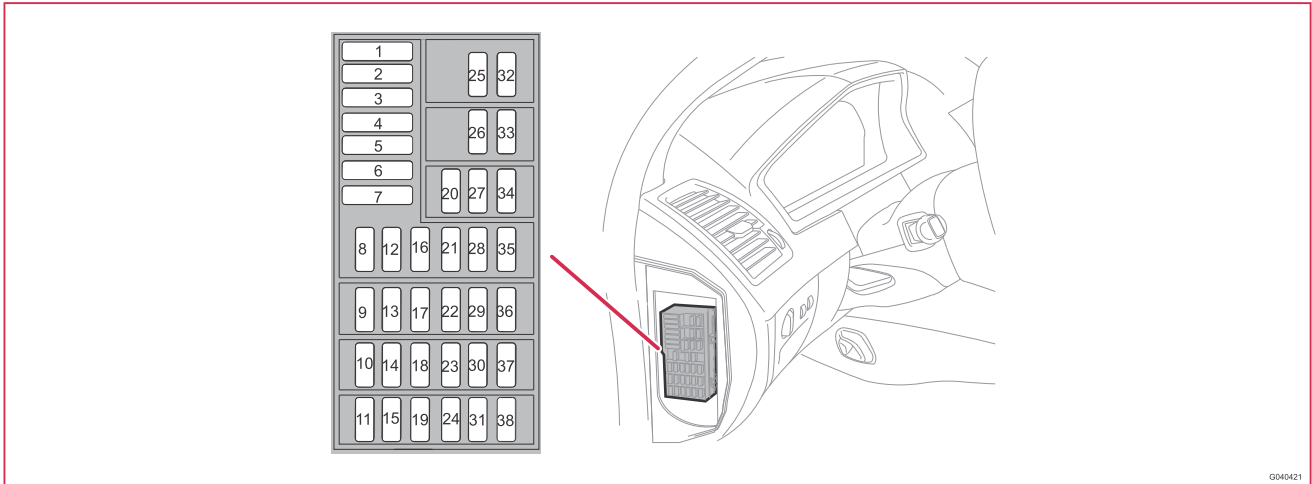
GS4M21

### 11C Fuses in the passenger compartment

No.	Fuse function	via	A
5	3/74 Left-hand front door lock unit	3/126	25
	3/126 Driver/Passenger Door Module (DDM)/(PDM)	-	
	6/58 Motor, front left power window	3/126	
	6/62 Power door mirror, left	3/126	
	9/33 Left heated exterior rearview mirror	3/126	
	10/148 Left exterior rearview mirror lighting	3/126	
6	3/75 Right-hand front door lock unit	3/127	25
	3/127 Passenger/Driver Door Module (PDM)/(DDM)	-	
	6/60 Motor, front right power window	3/127	
	6/63 Power door mirror, right	3/127	
	9/34 Right heated exterior rearview mirror	3/127	
	10/149 Right exterior rearview mirror lighting	3/127	
7	-	-	-
continues			

# Fuses

## Passenger compartment 11C/8-10



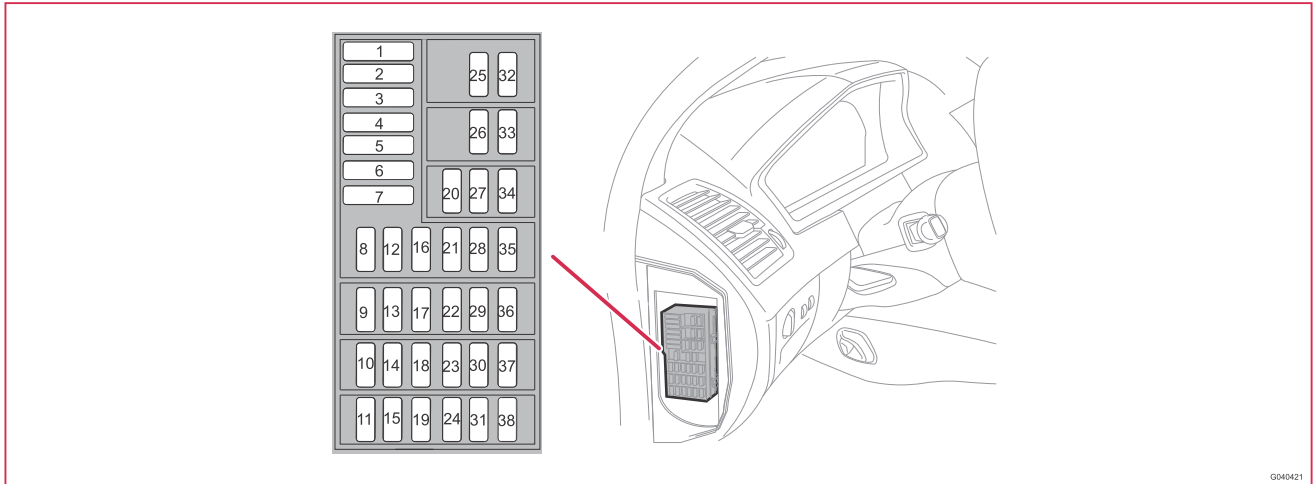
GS4M21

### 11C Fuses in the passenger compartment

No.	Fuse function	via	A
8	16/1 Integrated Audio Module (IAM)	-	15
	16/109 DVD player/control module	-	
9	4/124 Accessory USB unit (AUU)	-	10
	16/46 Multimedia display	-	
	16/108 Multimedia Module (MMM)	-	
	16/109 DVD player/control module	-	
	16/145 Remote Digital Audio Receiver (RDAR)	-	
	54/112 Connector, cable harness, infotainment, 30-feed	-	
10	3/111 Light Switch Module (LSM)	-	5
	3/254 Steering Wheel Module (SWM)	-	
	4/68 Steering Wheel Angle Sensor Module (SAS)	3/254	
	17/13 Data link connector	-	
continues			

# Fuses

## Passenger compartment 11C/11-14



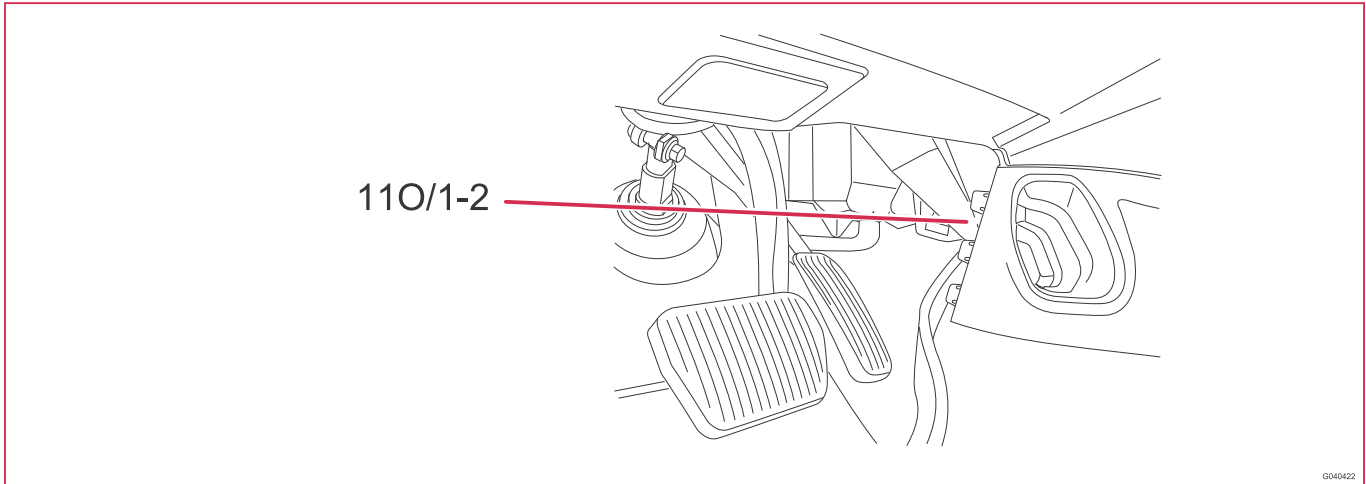
GS4M21

### 11C Fuses in the passenger compartment

No.	Fuse function	via	A	
11	3/157	Switch, passenger side airbag	3/1	7.5
	4/9	Supplemental Restraint System Module (SRS)	3/1	
	4/28	Transmission Control Module (TCM)	3/1, 4/56	
	4/46	Engine Control Module (ECM)	3/1, 4/56	
	4/56	Central Electronic Module (CEM)	3/1	
	4/58	Rear Electronic Module (REM)	3/1	
	11O/1	Fuses in spare fuse holder, passenger compartment	-	
	11O/2	Fuses in spare fuse holder, passenger compartment	3/1	
	16/65	Antenna ring/ignition switch illumination	3/1	
12	3/117	Switch unit, ceiling light	4/70	10
	4/33	Sun roof Module (SRM)	4/70	
	4/70	Upper Electronic Module (UEM)	-	
	4/76	Remote control unit for garage door opener	4/70	
	7/149	Rain Sensor Module (RSM)	4/70	
	10/114	Left-hand vanity mirror lighting	4/70	
	10/115	Right-hand vanity mirror lighting	4/70	
	10/150	Rear reading light	4/70	
10/172	Reading light, third row of seats	4/70		
13	4/70	Upper Electronic Module (UEM)	-	15
	6/15	Sunroof motor	4/33	
14	16/60	Phone Module (PHM)	-	5
	16/147	Bluetooth Phone Module (BPM)	-	

### Fuses

### Passenger compartment 110/1-2



G040422

### 110/1-2 Fuses in spare fuse holder, passenger compartment

No.	Fuse function	via	A
1	Alcohol lock Alcohol lock	- 2/241	5
2	Alcohol lock	-	5