

Volvo Xc60 2009 Wiring Diagram

Full download: <http://manualplace.com/download/volvo-xc60-2009-wiring-diagram/>



VOLVO XC60

WIRING DIAGRAM 2009



TP 39132202

Vehicles with SRS (Airbag)/SIPS bag/ IC (Inflatable Curtain)

Warning!

Extra caution must be exercised when working on vehicles equipped with SRS/SIPS bag/IC in order to avoid:

1. Personal injuries when performing repair work.
2. Damage or malfunction of the SRS/SIPS bag/IC system.

Work involving the SRS/SIPS bag/IC systems or other components in the vehicle that may affect the SRS/SIPS bag/IC systems must always be performed by an authorized Volvo workshop.

In case of doubt, consult the SRS and SIPS bag/IC service manual.

Is the vehicle equipped with SRS/SIPS bag/IC?

Vehicles with SRS are most easily recognized by the letters SRS in the center of the steering wheel. If the vehicle also has a passenger side airbag, the letters SRS are stamped on the dashboard above the glove compartment. SRS vehicles from 1993 and onward also have explosive seat belt tensioners. SIPS bags are only installed on SRS vehicles from 1995 and onward. SIPS bag decals are located on the windshield and seat compartment. Vehicles with IC can be recognized by the letters IC on the C/D panel (4 door) or the B panel (5 door).

General recommendations

- Be especially careful when working on or around SRS, SIPS, and IC components.
- Make sure that no wires are pinched, frayed, or pierced.
- Never install accessories by the sensors.
- Where applicable, work on the steering wheel, steering shaft, or steering gear must be done in accordance with the methods in the SRS section of VIDA.
- Certain components of the aforementioned systems must be grounded while working. Read the appropriate sections in VIDA.
- Install no accessories in the areas between the A and B-posts, the B and C-posts, and the C and D-posts.

Test terminal

Data link connector in the passenger compartment.

Changes implemented up to and including May 2008

Any changes made to the vehicles after this date are not included in the manual. If necessary refer to service bulletins.

Volvo models are sold in versions adapted for different markets. These adaptations depend on factors such as legal requirements, taxation, and market demands.

This manual may therefore include illustrations and text that do not apply to the vehicles in your country.

Ordering:

Electronic Wiring Diagrams (EWDs) can be ordered from the Technical Information Shop (TIS) at www.volvocarstechinfo.ford.com/vss

We reserve the right to make modifications.

Table of Contents 1:3

Vehicles with SRS (Airbag)/SIPS bag/	
IC (Inflatable Curtain).....	2
Explanations	6
Abbreviations.....	6
How to use the wiring diagrams 1:2.....	7
Electrical distribution 1:2	9

Fuses

Distribution box in engine compartment F1-F7	11
Distribution box in engine compartment F9-F24.....	12
Distribution box in engine compartment F25-F30.....	13
Distribution box in engine compartment F31-F37.....	14
Distribution box in engine compartment F38-F44.....	15
Central Electronic Module (CEM) F1 - F13.....	16
Central Electronic Module (CEM) F14 - F19.....	17
Central Electronic Module (CEM) F20 - F28.....	18
Rear electrical center FA1-FA12	19
Distribution box in cargo compartment FB1-FB12.....	20
Rear electrical center FD1-FD7	21
Battery PF1-PF2.....	22

Relays

Relays in the engine compartment R2.....	23
Relays in the engine compartment R8-R9.....	24
Relays in the engine compartment R10-R13.....	25
Distribution box in cargo compartment RA1-RD1.....	26
Central Electronic Module (CEM).....	27

Ground connections

Overview.....	28
31/1 - 31/7	29
31/10 - 31/15 continues	30
31/15 - 31/48	31
31/65 - 31/83	32
31/84 - 31/95	33
31/96 - 31/TRM.....	34

Control modules

Overview locations.....	35
Overview designations.....	36
Central Electronic Module (CEM) 1:3	37
Data communication high speed CAN.....	40
Data communication intermediate speed CAN, LHD... ..	41
Data communication intermediate speed CAN, RHD.. ..	42
Data communication, LIN 1:2	43
Data communication MOST.....	45
Steering Wheel Module (SWM)	46

Group 23 Fuel system

Engine management system, 6-Cyl. Turbo 1:2.....	47
Engine management system, 5-Cyl. Diesel 1:3	49
Emission control 6-Cyl.	52

Group 26 Cooling system

Cooling fan 6-Cyl. Turbo	53
--------------------------------	----

Group 27 Engine controls

Cruise control.....	54
---------------------	----

Group 32 Alternator and voltage regulator

Power supply	55
--------------------	----

Group 33 Starting system

Starting system	56
-----------------------	----

Group 35 Lighting

High and low beam	57
High and low beam (Dual Xenon).....	58
Beam length adjustment, manual	59
Running/Parking light, Tail lights	60
Running/Parking light, Tail lights (Dual Xenon)	61
Fog lights	62
Brake lights	63
Reversing lights	64
Follow-me-home lighting LHD.....	65
Follow-me-home lighting RHD	66
Interior lighting, LHD 1:2	67
Interior lighting, RHD 1:2.....	69
Active headlight	71
Lighting in door sill trims	72
Auxiliary lights	73

Group 36 Additional electrical equipment

Rain sensor.....	74
Direction indicator and hazard warning flashers LHD.. ..	75
Direction indicator and hazard warning flashers RHD ..	76
Wiper/Washer windshield	77
High pressure headlight washer	78
Wiper/Washer rear window.....	79
Horn	80
Keyless vehicle 1:2	81
Anti-theft alarm	83
Parking assistance.....	84
Collision warning with power brake booster.....	85
Tire pressure monitoring system (TPMS)	86
Alcohol lock.....	87

Table of Contents 2:3

Group 37 Wiring and fuses

Diagnostics system.....	88
Outlet 12V.....	89
Cable harness towbar/tow hitch 4-pin	90
Cable harness towbar/tow hitch 7-pin.....	91
Cable harness towbar/tow hitch 13-pin.....	92
USB unit (AUU).....	93

Group 38 Instruments

Seat belt reminder	94
Driver information module.....	95

Group 39 Other

Audio Premium 1:3	96
Audio 1:2	99
Cellular phone 1:2.....	101
DAB Radio	103
Telephone system Bluetooth	104
Bluetooth Handsfree	105
Multimedia & Traffic information	106
Satellite radio	107
Parking camera.....	108

Group 43 Transmission

Transmission M66	109
Automatic transmission, TF-80SC AWD.....	110
Differential electronic module (DEM).....	111

Group 55 Parking brake

Electric parking brake	112
------------------------------	-----

Group 59 Brake system

Brake control system & DSTC	113
-----------------------------------	-----

Group 64 Steering

Electronic power steering	114
---------------------------------	-----

Group 76 Shock absorbers

Four-C	115
--------------	-----

Group 83 Doors and openings

Central locking front doors LHD.....	116
Central locking front doors RHD	117
Central locking rear doors.....	118
Central locking tailgate.....	119
Central locking fuel filler flap	120
Signal receiver central locking	121
Power windows front doors LHD.....	122
Power windows front doors RHD	123
Power windows rear doors.....	124
Power sunroof.....	125

Group 84 Exterior decorative elements, etc.

Power door mirrors LHD	126
Power door mirrors RHD.....	127
Heated door mirrors LHD	128
Heated door mirrors RHD	129
Blind spot information system LHD.....	130
Blind spot information system RHD	131
Heated rear window.....	132

Group 85 Interior equipment

Power driver's seat with memory function, LHD	133
Power driver's seat with memory function, RHD.....	134
Power passenger seat, LHD	135
Power passenger seat, RHD	136
Heated front seats with fans	137
Heated front seats without fans	138
Heated rear seat	139

Group 87 Climate control system

Climate control system PTC-element	140
Climate control system 1:2.....	141
Parking heater, auxiliary heater	143
Parking heater, remote start	144

Group 88 Internal equipment

Rear-view mirror with automatic dimming.....	145
Supplemental Restraint System (SRS) 1:2.....	146
Remote controlled garage opening.....	148

Table of Contents 3:3

Connectors	149
Branching points	183
Cable harness routing in vehicle	
Harness engine, 6-Cyl. Turbo.....	198
Harness engine, Diesel.....	198
Engine compartment harness.....	199
Harness dashboard, LHD	200
Harness Dashboard, RHD	201
Harness Floor, LHD	202
Harness Floor, RHD	203
Harness infotainment, LHD.....	204
Harness infotainment, RHD	205
Roof harness	206
Center console harness.....	206
Tunnel harness	207
Harness front door, left	208
Harness front door, right.....	208
Harness rear door, left.....	209
Harness rear door, right.....	209
Tailgate harness	210
Harnesses rear axle.....	210
Component illustrations	211
Index 1:2.....	262
List of components 1:7	264

Explanations

Abbreviations

Groups

Group 23	= Fuel system
Group 26	= Cooling system
Group 27	= Engine controls
Group 32	= Alternator and voltage regulator
Group 33	= Starting system
Group 35	= Lighting
Group 36	= Additional electrical equipment
Group 37	= Wiring and fuses
Group 38	= Instruments
Group 39	= Other
Group 43	= Transmission
Group 55	= Parking brake
Group 59	= Brake system
Group 64	= Steering
Group 76	= Shock absorbers
Group 83	= Doors and openings
Group 84	= Exterior decorative elements, etc.
Group 85	= Interior equipment
Group 87	= Climate control system
Group 88	= Internal equipment

Ignition switch symbols

X	= Accessories (audio position)
S	= Powered upon insertion of key
15	= Contact remains connected during start
15l	= Contact is broken while starting
30	= Constant power from the battery
50	= Start

Countries/Markets

A	= Austria
AUS	= Australia
B	= Belgium
CDN	= Canada
CH	= Switzerland
D	= Germany
DK	= Denmark
E	= Spain
EU/OS	= Markets outside USA and Canada
FIN	= Finland
GB	= Great Britain
ISR	= Israel
J	= Japan
KOR	= Korea
N	= Norway
NL	= Netherlands
S	= Sweden
USA	= United States of America
WEU	= Western Europe

Other

ACC	= Adaptive Cruise Control
Ag	= Silver plated
Au	= Gold plated
AUTO	= Automatic transmission
BLIS	= Blind spot information system
CAN	= CAN communication
DPY	= Display
ECC	= Electronic climate control system
ETA	= Engine throttle body
EXC	= Exclusive
GDL	= Gas discharge lamp
HISPEED	= High speed data bus
IR	= Infrared sensor
LIN	= LIN communication
LH	= Left-hand side
LHD	= Left-hand drive
MAN	= Manual transmission
MEMORY	= Memory driver's seat
MIDSPEED	= Midspeed data bus
MMS	= Mass Movement Sensor
PETROL	= Gasoline
RH	= Right-hand side
RHD	= Right-hand drive
SCR	= Screened
SRS	= Airbag
T	= Turbocharged engine
W/O	= Without
2WD	= Two-wheel drive
4CYL, I4	= 4-cylinder engine
5CYL, I5	= 5-cylinder engine
6CYL, I6	= 6-cylinder engine
8CYL, V8	= 8-cylinder engine

Colors

BK, SB	= Black
BN	= Brown
BU, BL	= Blue
GN	= Green
GY, GR	= Gray
LGN	= Light Green
NL	= Natural
OG, OR	= Orange
PK, P	= Pink
RD, R	= Red
VT, VO	= Violet
WH, W	= White
YE, Y	= Yellow

How to use the wiring diagrams 1:2

The descriptions below apply in general to all wiring diagram manuals, although not all sections are necessarily contained in this manual.

A. Component designation

Every component has a component designation that consists of two parts.

The first part is a type number that describes the type of component in question, for example 3/xx.

The second part of the designation is a serial number, e.g. x/2.

Together, this constitutes a component designation, e.g. 3/2.

At the end of the manual is a list of components, where, with the help of the component designation, you can read off the name of the component, for example, 3/2 = light switch.

List of type numbers

The list shows which type of component that respective type numbers refer to, for example, 3/x = switch, 6/x = electric motor, etc.

1	Battery
2	Relay
3	Switch
4	Control module
5	Driver information module
6	Electric motor
7	Sensor
8	Actuator
9	Heating element
10	Light
11	Fuse
15	Electrical distribution rail/box
16	Audio
17	Service/diagnostics
18	Contact reel
19	Meter
20	Ignition component/shunt
27	Optics
31	Ground connection
73	Branching point
74	Connector

B. Branching points

The wiring diagrams contain numbered branching points, for example 73/5035.

This manual contains a section with a list of branching points. This list shows all the components that are connected to each branching point.

The location of the branching points is shown in the "Cable harness routing in vehicle" section.

C. Connectors

Connectors provide a bridge between two cable harnesses and are described in the "Connectors" section.

D. Electrical distribution

Operation of the fuses and relays is shown in the "Electrical distribution" section.

E. Data communication

Today's cars contain CAN, LIN and MOST networks that transfer information. Connections to these networks are not shown in their entirety in the respective wiring diagram. Complete information on CAN, LIN and MOST communication is found in the section "Control modules".

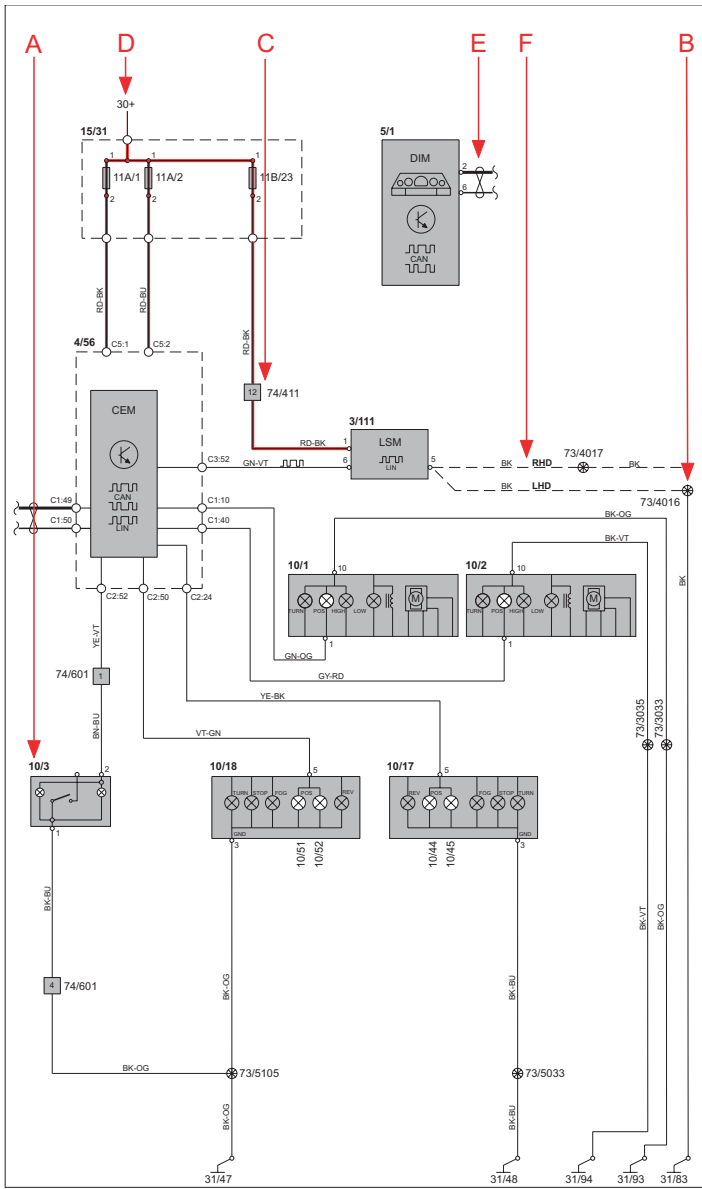
F. Abbreviations

A number of different abbreviations are used in the manual. These are explained in the section "Abbreviations".


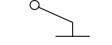

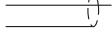

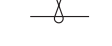


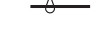






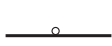

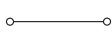
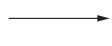



G. Component location

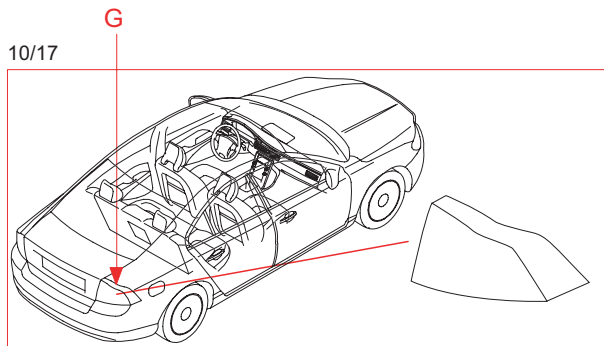
The end of the manual contains a section that describes component appearance and location in numerical order.

How to use the wiring diagrams 2:2



List of symbols

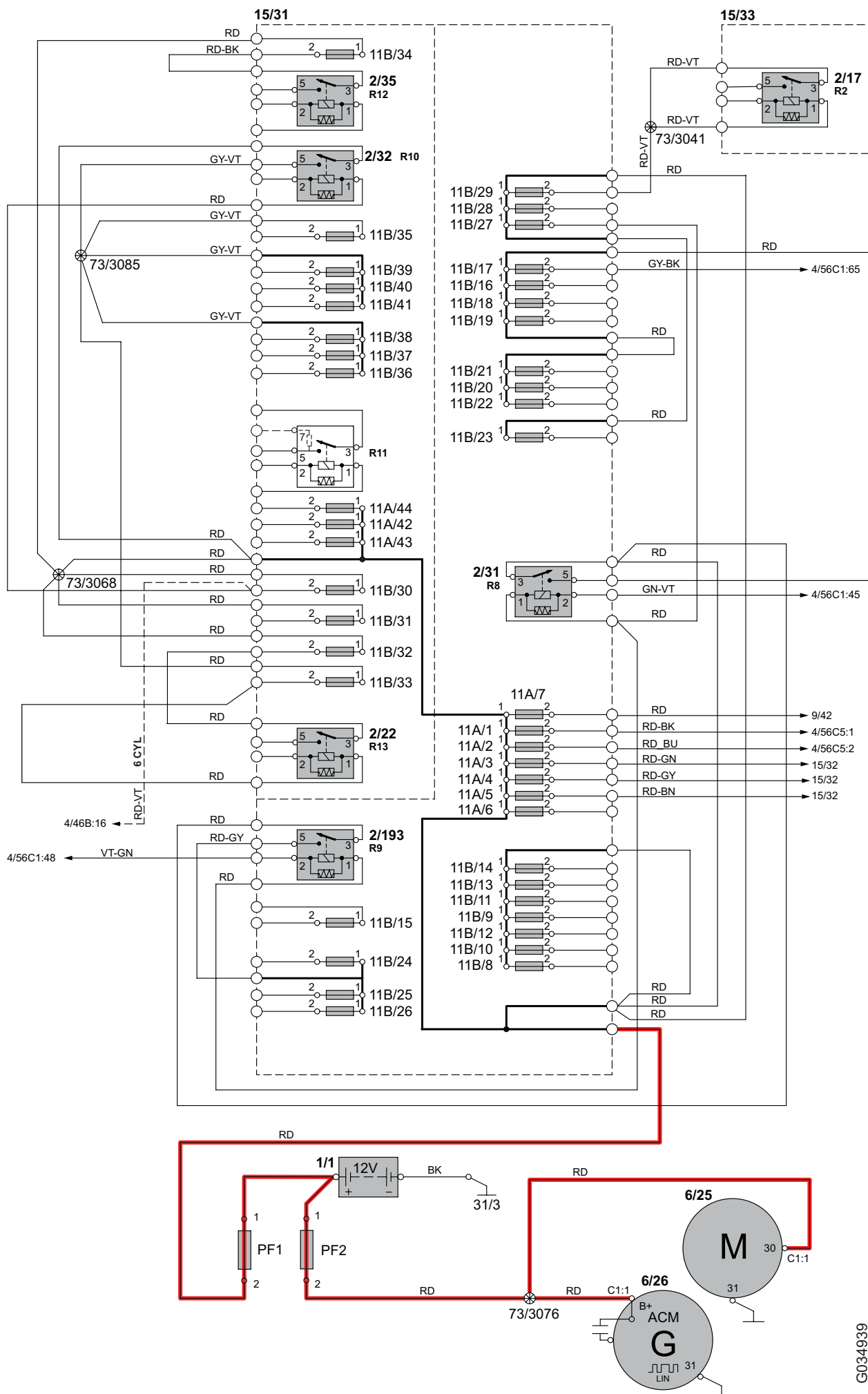
-  = System voltage
-  = Ground connection via wiring
-  = Ground connection in component/chassis
-  = Screened wire
-  = Junction point
-  = Twisted cable
-  = Electrical connection
-  = Variant
-  = CAN communication
-  = CAN high data signal (CAN H)
-  = CAN low data signal (CAN L)
-  = LIN communication
-  = LIN communication
-  = DIN cable, coaxial cable, etc.
-  = Data communication
-  = CAN communication
-  = MOST communication
-  = MOST communication
-  = Connection with distribution box
-  = Further connection to...
-  = Connector between cable harnesses
-  = Connector connected in component



G029147

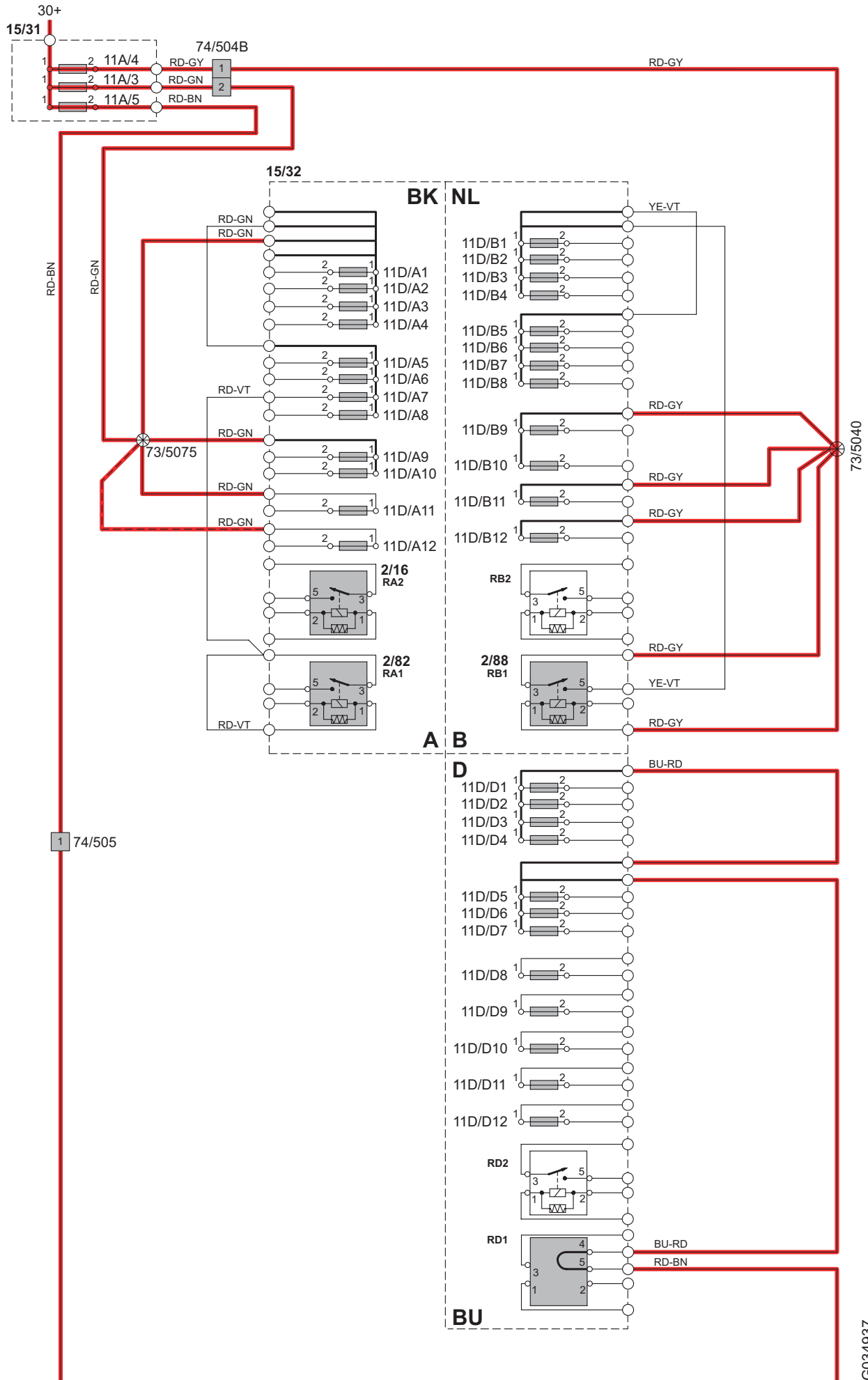
Electrical distribution 1:2

Overview, Electrical center and Cold zone in engine compartment



Electrical distribution 2:2

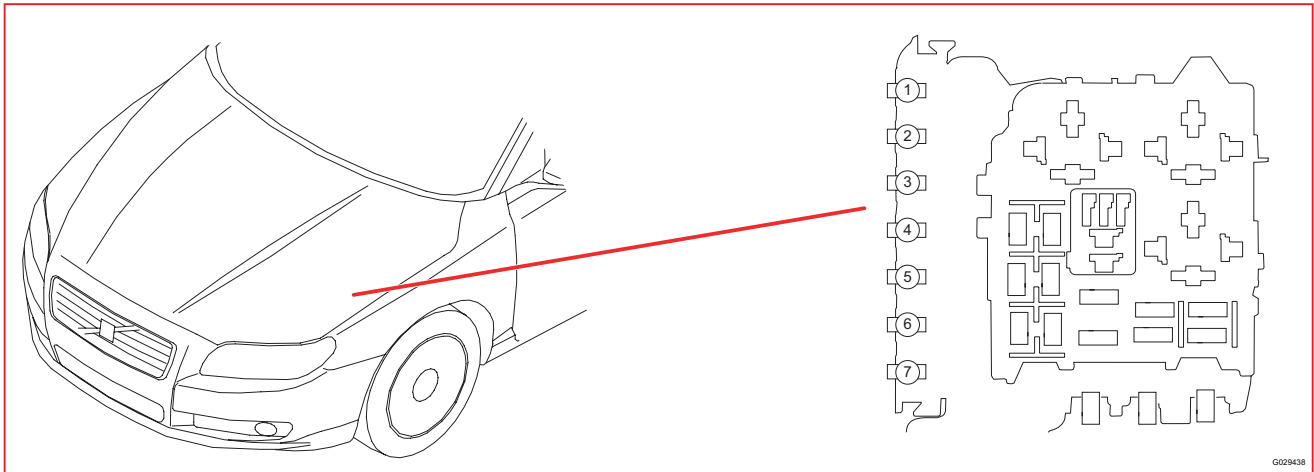
Overview, rear electrical center



G034937

Fuses

Distribution box in engine compartment F1-F7

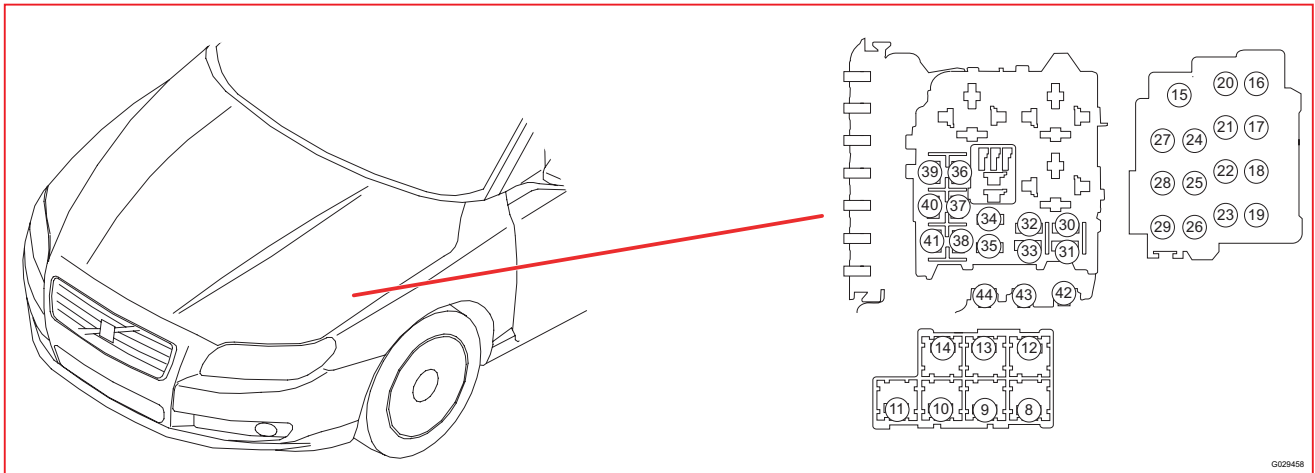


15/31 Distribution box in engine compartment

No.	No.	Fuse function	via	A
F1	11A/1	Main fuse for fuses in CEM	-	50
F2	11A/2	Main fuse for fuses in CEM	-	50
F3	11A/3	11D/A1-11D/A12 Fuses in cargo compartment fuse box	-	60
F4	11A/4	2/88 Relay, 15-feed rear	-	60
		11D/B1-11D/B8 Fuses in cargo compartment fuse box	2/88	
		11D/B9-11D/B12 Fuses in cargo compartment fuse box	-	
F5	11A/5	11D/D1-11D/D7 Fuses in cargo compartment fuse box	-	50
F7	11A/7	9/42 PTC-element	-	100
continues				

Fuses

Distribution box in engine compartment F9-F24

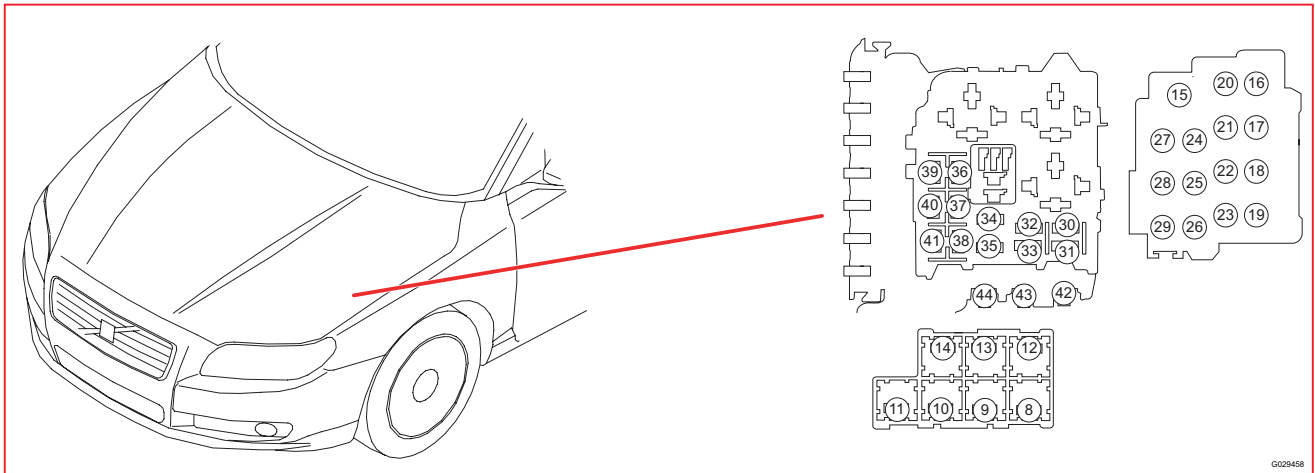


15/31 Distribution box in engine compartment

No.	No.	Fuse function	via	A
F9	11B/9	6/1 Wiper motor module (WMM)	-	30
F10	11B/10	4/7 Combustion preheater module (CPM)	-	25
F11	11B/11	4/31 Fan control module 6/28 Motor, passenger compartment fan	- -	40
F13	11B/13	4/16 Brake Control Module (BCM), pump	-	40
F14	11B/14	4/16 Brake Control Module (BCM), valves	-	20
F16	11B/16	4/118 Headlamp Control Module (HCM) 10/1 Lamp housing, front left 10/2 Lamp housing, front right	- - -	10
F17	11B/17	F2-F4 Fuses in the Central Electronic Module (CEM)	-	20
F18	11B/18	4/80 Forward Sensing Module (FSM) 7/203 Forward-aimed radar (FLR)	- -	5
F19	11B/19	4/99 Electronic power steering control module	-	5
F20	11B/20	4/9 Supplemental restraint system module (SRS) 4/28 Transmission control module (TCM) 4/46 Engine control module (ECM)	- - -	10
F21	11B/21	9/43 Heated windshield washer nozzle, left 9/44 Heated windshield washer nozzle, right	- -	10
F23	11B/23	3/111 Light switch module (LSM)	-	5
F24	11B/24	6/104 High pressure headlight washer motor	-	15
continues				

Fuses

Distribution box in engine compartment F25-F30



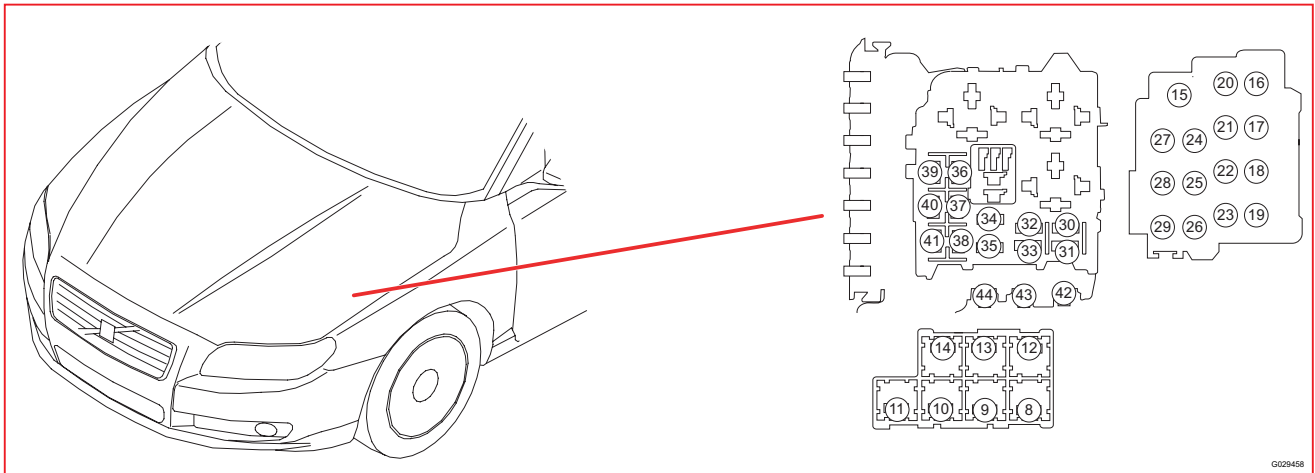
G029458

15/31 Distribution box in engine compartment

No.	No.	Fuse function	via	A
F25	11B/25	9/1 Front 12V outlet 9/25 Outlet 12V rear	- -	15
F26	11B/26	3/117 Switch unit, ceiling light 4/33 Panoramic roof control module 6/48 Damper Motor Module (DMM), recirculation 6/95 Damper Motor Module (DMM), temperature, left-hand side 6/96 Damper Motor Module (DMM), temperature, right-hand side 6/102 Damper Motor Module (DMM), defroster 6/103 Damper Motor Module (DMM), floor/ventilation 7/159 Air quality sensor (AQS)	- - - - - - -	5
F27	11B/27	2/31 Relay, 15-feed 2/193 Relay, comfort functions	- -	5
F28	11B/28	2/64 Relay auxiliary lights 10/65 Auxiliary light, front right 10/69 Auxiliary light, front left	- 2/64 2/64	20
F29	11B/29	2/17 Relay, horn 16/10 Horn 1	- 2/17	15
F30	11B/30	2/32 Main relay, engine management system 4/46 Engine Control Module (ECM), 6-Cyl. Turbo	- -	10
continues				

Fuses

Distribution box in engine compartment F31-F37

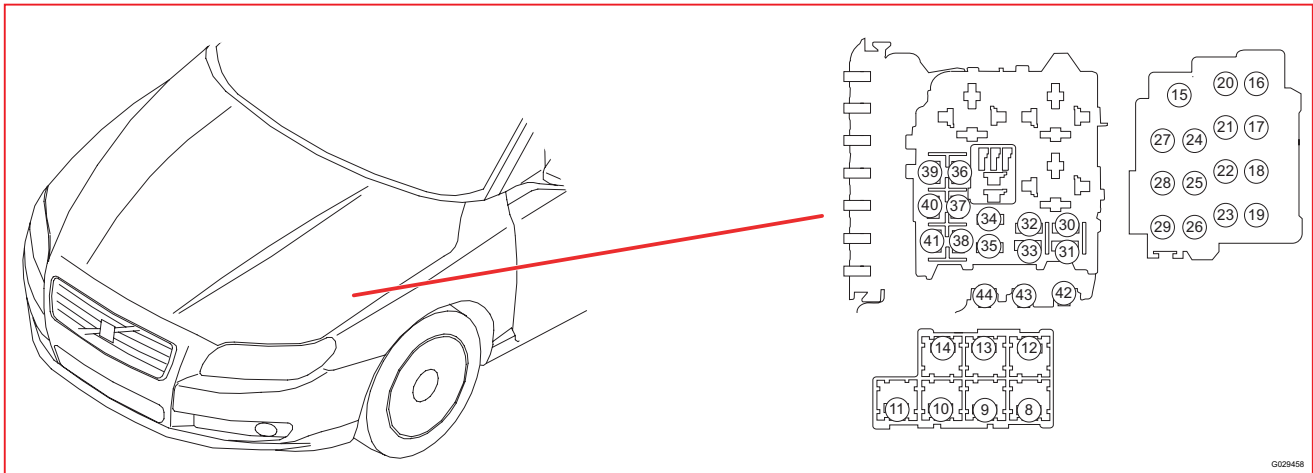


15/31 Distribution box in engine compartment

No.	No.	Fuse function	via	A
F31	11B/31	4/28 Transmission control module (TCM)	-	15
F32	11B/32	8/3 Electromagnetic clutch, climate control system	2/22	15
F33	11B/33	2/22 Relay, climate control system	-	5
F34	11B/34	6/25 Starter motor	2/35	30
F35	11B/35	4/109 Glow plug control module, 5-Cyl. Diesel	-	10
		20/3-8 Spark plug with ignition coil, 6-Cyl. Turbo	-	20
		20/16 Capacitor, 6-Cyl. Turbo	-	-
F36	11B/36	4/46 Engine control module (ECM), 5-Cyl. Diesel	-	15
		6/120 Throttle body motor, 5-Cyl. Diesel	4/46	-
		8/98 Control valve fuel pressure, 5-Cyl. Diesel	4/46	-
		8/111 Control valve fuel flow, 5-Cyl. Diesel	4/46	-
F37	11B/37	6/120 Throttle body motor, 6-Cyl. Turbo	4/46	10
		4/46 Engine control module (ECM), 5-Cyl. Diesel	-	15
		7/17 Mass air flow sensor MAF, 5-Cyl. Diesel	-	-
		8/6-11 Injection valves, 5-Cyl. Diesel	4/46	-
		7/17 Mass air flow sensor MAF, 6-Cyl. Turbo	-	-
		8/6-11 Injection valves, 6-Cyl. Turbo	-	-
continues				

Fuses

Distribution box in engine compartment F38-F44



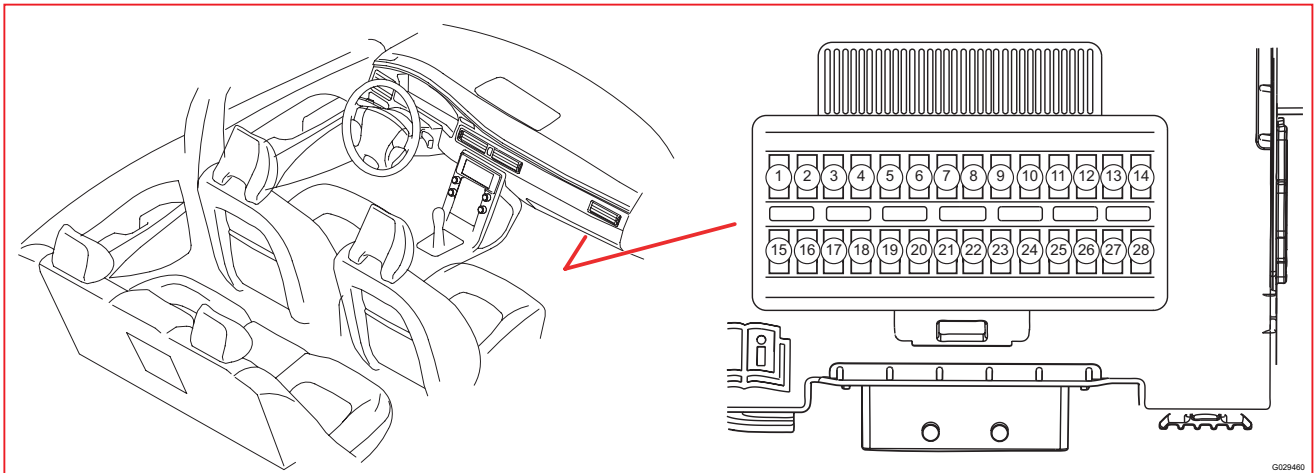
G029458

15/31 Distribution box in engine compartment

No.	No.	Fuse function	via	A	
F38	11B/38	6/143	Control motor, turbo, 5-Cyl. Diesel	-	10
		8/3	Electromagnetic clutch, climate control system, 5-Cyl. Diesel	-	
		8/113	Bypass valve, EGR cooling, 5-Cyl. Diesel	-	
		8/120	EGR valve, 5-Cyl. Diesel	-	
		4/46	Engine Control Module (ECM), 6-Cyl. Turbo	-	
		8/3	Electromagnetic clutch climate control system, 6-Cyl. Turbo	-	
		8/28	Turbocharger control valve, 6-Cyl. Turbo	-	
		8/68	Relief valve, 6-Cyl. Turbo	-	
F39	11B/39	7/15	Front heated oxygen sensor, 5-Cyl. Diesel	-	10
		7/15	Front heated oxygen sensor bank 1, 6-Cyl. Turbo	-	
		7/82	Rear heated oxygen sensor bank 1, 6-Cyl. Turbo	-	
		8/18	EVAP valve, 6-Cyl. Turbo	-	
F40	11B/40	9/32	PTC resistor crankcase ventilation, 5-Cyl. Diesel	-	20
		9/38	Heated fuel filter, 5-Cyl. Diesel	-	
		9/47	PTC resistor crankcase ventilation in hose, 5-Cyl. Diesel	-	
F41	11B/41	6/67	Pump fuel leakage control 6-Cyl. Turbo	-	5
F42	11A/42	20/22-26	Glow plug, 5-Cyl. Diesel	4/109	70
F44	11A/44	4/71	Cooling fan control module	-	80

Fuses

Central Electronic Module (CEM) F1 - F13

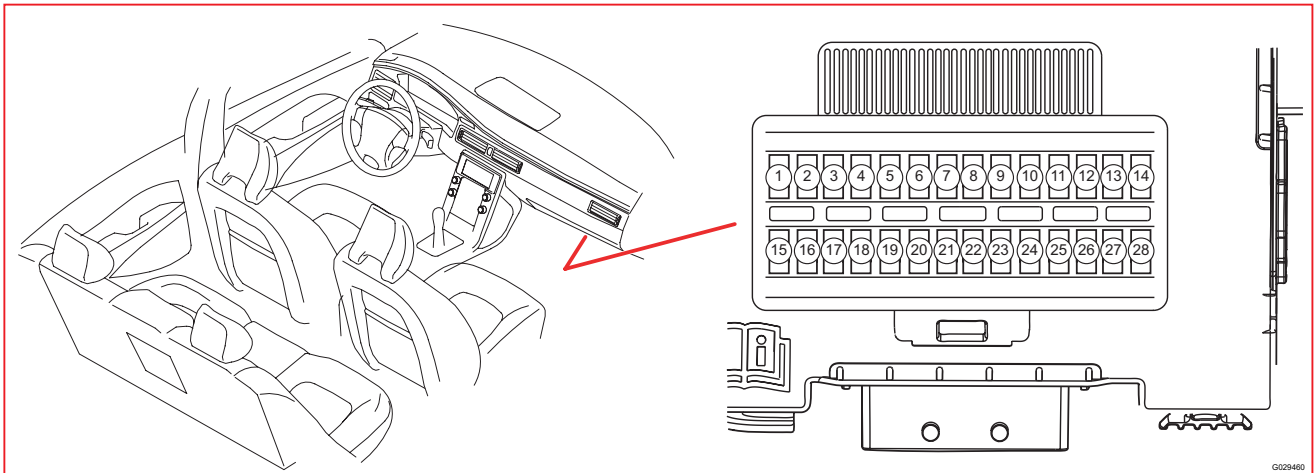


4/56 Central Electronic Module (CEM)

No.	Fuse function	via	A
F1	7/149 Rain sensor module (RSM)	-	5
F2	4/9 Supplemental restraint system module (SRS) 7/93 Occupant weight sensor (OWS) 4/125 Closing velocity module (CVM)	- - -	10
F3	4/16 Brake control module (BCM)	-	5
F4	3/65 Switch, heated rear seat 7/51 Accelerator pedal sensor 8/48 Auto-dimming rearview mirror 9/42 PTC-element	- - - -	7.5
F6	3/281 Infotainment control module (ICM) 16/1 Integrated Audio Module (IAM) 4/124 Accessory USB unit (AUU)	- - -	15
F7	3/4 Steering wheel switch left (SWSL) 3/131 Steering wheel switch right (SWSR) 3/135 RTI switch	3/130 3/130 3/130, 3/131	7.5
F9	10/1 Lamp housing, front left 10/2 Lamp housing, front right	K2 K2	15
F10	4/33 Panoramic roof control module	-	20
F11	10/48 Reversing light, right 10/55 Reversing light, left	K3 K3	7.5
F13	10/5 Fog light, front left 10/6 Fog light, front right	K1 K1	15
continues			

Fuses

Central Electronic Module (CEM) F14 - F19

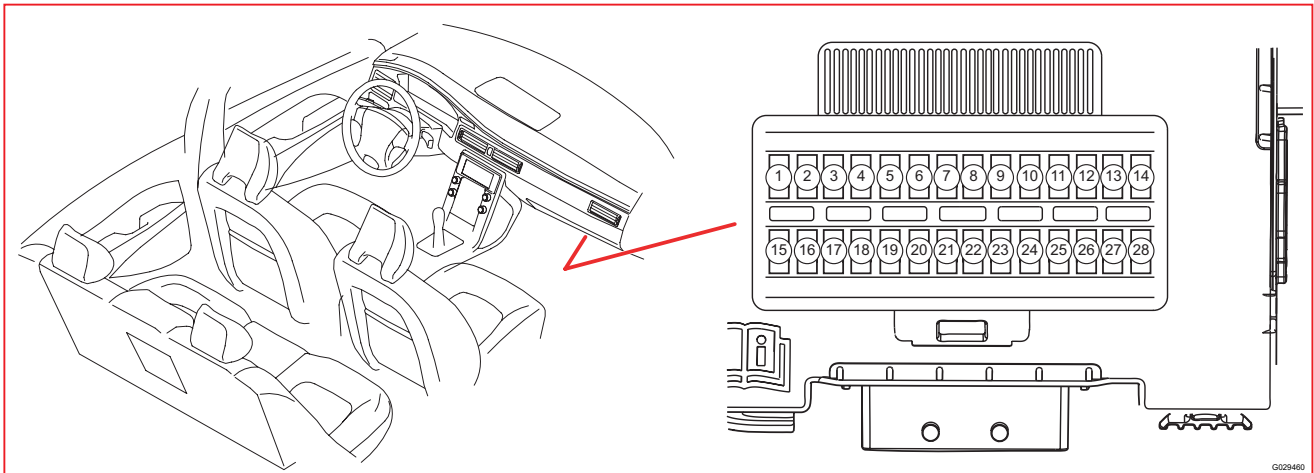


4/56 Central Electronic Module (CEM)

No.	Fuse function	via	A
F14	6/127 Washer motor	K5A, K5B	15
F15	4/80 Forward Sensing Module (FSM)	-	10
F17	3/27 Switch unit, power passenger seat	-	7.5
	3/176 Switch, driver's door power window	-	
	3/291 Tailgate closing switch	-	
	4/76 Remote control unit for garage door opener	-	
	7/238 Alcolock sensor	-	
	10/22 Ceiling light	-	
	10/25 Ceiling light cargo compartment	-	
	10/29 Glove compartment lighting	-	
	10/114 Vanity mirror lighting, left	-	
	10/115 Vanity mirror lighting, right	-	
	10/125 Left-hand front courtesy lighting	-	
	10/126 Right-hand front courtesy lighting	-	
	10/150A Rear reading light	-	
	10/150B Rear reading light	-	
17/45 Alcolock outlet	-		
26/6 Converter/control module, sill moldings, driver's side	-		
26/7 Converter/control module, sill moldings, passenger side	-		
26/8 Alcolock charging cradle	-		
F18	5/1 Driver Information module (DIM)	-	5
F19	4/52 Power seat module (PSM)	-	5
continues			

Fuses

Central Electronic Module (CEM) F20 - F28

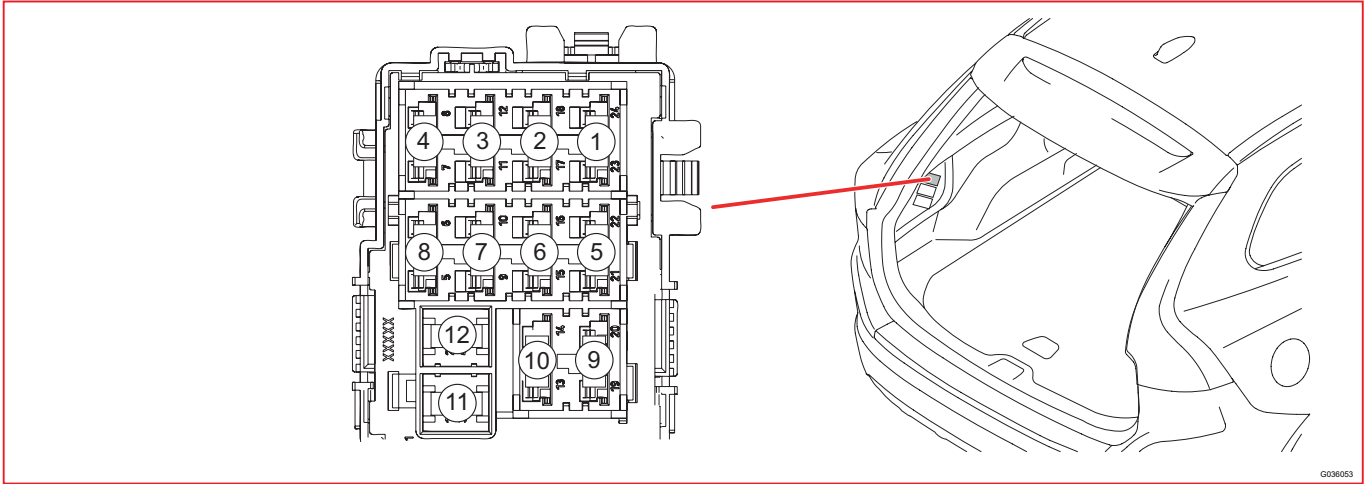


4/56 Central Electronic Module (CEM)

No.	Fuse function	via	A
F20	6/32 Rear window wiper motor	2/16	15
F21	4/119 Remote Keyless Entry (RKE) 4/119.2 Remote Receiver Module (RRX) 7/122 Mass Movement Sensor Module (MMS), front 7/199 Ultrasonic sensor (IMS) 7/214 Heart beat sensor (HBS)	- - - - -	5
F22	4/83 Control module fuel pump 6/33 Fuel pump	K8 K8, 4/83	20
F23	4/102 Steering column lock module (SCL)	K9	20
F25	K12 Relay, soldered 6/37 Lock motor, fuel filler flap	- K12	10
F26	4/6 Climate control module (CCM) 16/35 Siren control module (SCM) 17/13 Data link connector	- - -	5
F27	3/132 Start control module (SCU)	-	5
F28	3/9 Contact brake light 4/93 Keyless vehicle module (KVM)	- -	5

Fuses

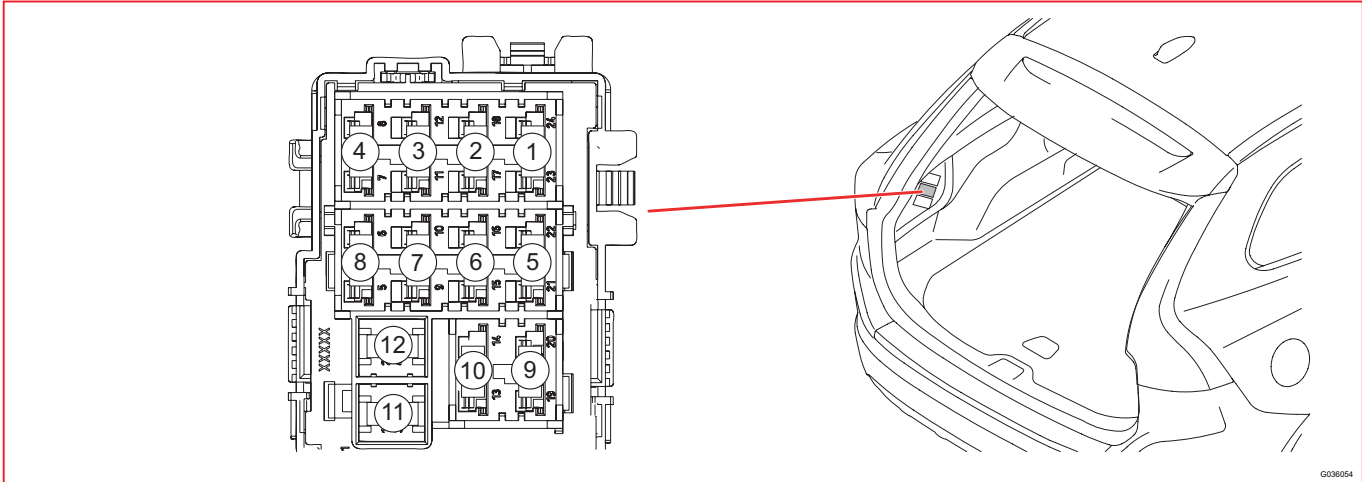
Rear electrical center FA1-FA12



15/32 Rear electrical center

No.	No.	Fuse function	via	A
FA1	11D/A1	3/126 Driver door module (DDM)	-	25
FA2	11D/A2	3/127 Passenger door module (PDM)	-	25
FA3	11D/A3	3/128 Left rear door module (LDM)	-	25
FA4	11D/A4	3/129 Right rear door module (RDM)	-	25
FA6	11D/A6	17/19 12V outlet, cargo compartment	-	15
FA7	11D/A7	2/82 Relay, heated rear window 9/2 Heated rear window	- 2/82	30
FA9	11D/A9	17/39 13-pin outlet, tow hitch cable harness	-	15
FA10	11D/A10	4/52 Power seat module (PSM)	-	25
FA11	11D/A11	4/110 Trailer module (TRM)	-	40
FA12	11D/A12	4/116 Power Operated Tailgate Module (POT)	-	30

Distribution box in cargo compartment FB1-FB12



15/32 Rear electrical center

No.	No.	Fuse function	via	A
FB1	11D/B1	4/86 Parking Assistance Module (PAM) 4/110 Trailer module (TRM) 4/120 Parking Assistance Camera (PAC)	- - -	5
FB2	11D/B2	4/84 Suspension module (SUM)	-	15
FB3	11D/B3	9/12 Seat Heating Module (SHM), driver's side	-	15
FB4	11D/B4	9/13 Seat Heating Module (SHM), passenger side	-	15
FB5	11D/B5	9/15 Control module, rear right seat heater	-	15
FB6	11D/B6	4/82 Differential electronic module (DEM)	-	10
FB7	11D/B7	9/14 Control module, rear left seat heater	-	15
FB9	11D/B9	3/27 Switch unit, power passenger seat	-	25
FB10	11D/B10	4/93 Keyless vehicle module (KVM)	-	20
FB11	11D/B11	6/146 Lock motor, rear left brake disc	4/115	30
FB12	11D/B12	6/147 Lock motor, rear right brake disc	4/115	30