

Volvo V70 08 Xc90 2008 Wiring Diagrams

Full download: <http://manualplace.com/download/volvo-v70-08-xc90-2008-wiring-diagrams/>

VOLVO V70 (-08) & XC90

WIRING DIAGRAM 2008



TP 39113202

Vehicles with SRS (Airbag)/SIPS bag/IC (Inflatable Curtain)

Warning!

Extra caution must be exercised when working on vehicles equipped with SRS/SIPS bag/IC in order to avoid:

1. Personal injuries when performing repair work.
2. Damage or malfunction of the SRS/SIPS bag/IC system.

Work involving the SRS/SIPS bag/IC systems or other components in the vehicle that may affect the SRS/SIPS bag/IC systems must always be performed by an authorized Volvo workshop.

In case of doubt, consult the SRS and SIPS bag/IC service manual.

Is the vehicle equipped with SRS/SIPS bag/IC?

Vehicles with SRS are most easily recognized by the letters SRS in the center of the steering wheel. If the vehicle also has a passenger side airbag, the letters SRS are stamped on the dashboard above the glove compartment. SRS vehicles from 1993 and onward also have explosive seat belt tensioners. SIPS bags are only installed on SRS vehicles from 1995 and onward. SIPS bag decals are located on the windshield and seat compartment. Vehicles with IC can be recognized by the letters IC on the C/D panel (4 door) or the B panel (5 door).

General recommendations

- Be especially careful when working on or around SRS, SIPS, and IC components.
- Make sure that no wires are pinched, frayed, or pierced.
- Never install accessories by the sensors.
- Where applicable, work on the steering wheel, steering shaft, or steering gear must be done in accordance with the methods in the SRS section of VIDA.
- Certain components of the aforementioned systems must be grounded while working. Read the appropriate sections in VIDA.
- Install no accessories in the areas between the A and B-posts, the B and C-posts, and the C and D-posts.

Test terminal

Data link connector in the passenger compartment.

Changes implemented up to and including April 2007

Any changes made to the vehicles after this date are not included in the manual. If necessary refer to service bulletins.

Volvo models are sold in versions adapted for different markets. These adaptations depend on factors such as legal requirements, taxation, and market demands.

This manual may therefore include illustrations and text that do not apply to the vehicles in your country.

Order number: 39113202

Replaces earlier publication 39113201 of Electronic Wiring Diagram (EWD) TP 39118001

Also found on Electronic Wiring Diagram (EWD) TP 39120002.

We reserve the right to make modifications.

© Volvo Car Corporation

Table of Contents 1:3

Vehicles with SRS (Airbag)/SIPS bag/IC (Inflatable Curtain)	2
Explanations	7
Abbreviations	7
How to use the wiring diagrams 1:2.....	8
Electrical distribution V70 1:2	10
Electrical distribution XC90 1:2.....	12

Fuses

Engine compartment 11A/1-5.....	14
Engine compartment 11B/1-11	15
Engine compartment 11B/12-14.....	16
Engine compartment 11B/15	17
Engine compartment 11B/16-20.....	18
Passenger compartment 11C/1-4.....	19
Passenger compartment 11C/5-7.....	20
Passenger compartment 11C/8-10.....	21
Passenger compartment 11C/11-14.....	22
Passenger compartment 11O/1-2.....	23
Cargo compartment 11E/1-7	24
Cargo compartment 11L/1	25
Cargo compartment 11M/1-2.....	26
Central Electronic Module (CEM) F1-F14.....	27
Central Electronic Module (CEM) F15-F34.....	28
Rear Electronic Module (REM) F1-F7	29
Rear Electronic Module (REM) F8-F28	30
Rear Electronic Module (REM) F29-F38	31

Relays

Ignition switch and relays.....	32
Engine compartment FMA1 - FST3	33
Other relays	34

Ground connections

Overview.....	35
31/1 - 31/44	36
31/46 - 31/67	37
31/70 - 31/73	38
31/83 - 31/84	39
31/88 - 31/91	40
31/93 - 31/94	41
31/95 - 31/100	42
31/102 - 31/121	43

Control modules

Overview positions V70	44
Overview designations V70	45
Overview positions XC90.....	46
Overview designations XC90.....	47
Central Electronic Module (CEM) 1:2	48
Rear Electronic Module (REM) 1:2	50
Data communication high speed CAN V70.....	52
Data communication high speed CAN XC90	53
Data communication low speed CAN V70	54
Data communication low speed CAN XC90	55
Data communication LIN 1:2.....	56
Data communication MOST XC90.....	58

Group 23 Fuel system

Engine management system, Diesel 1:3	59
Engine management system, 5-cyl. 1:2.....	62
Engine management system, 5-cyl. Turbo 1:2	64
Engine management system, 6-cyl. 1:2.....	66
Engine management system, Bi-Fuel 1:2.....	68
Engine management system, 8-cyl. 1:2.....	70
Emission control, 5-cyl.	72
Emission control, 5-cyl. Turbo.....	73
Emission control, 6-cyl.	74
Emission control, 8-cyl.	75

Group 26 Cooling system

Cooling fan, 5-cyl.	76
Cooling fan, Diesel, 6-cyl. & 8-cyl.	77

Group 27 Engine control

Cruise control, 5-cyl.	78
Cruise control, Diesel, 6-cyl. & 8-cyl.	79

Group 32 Alternator and voltage regulator

Power supply	80
--------------------	----

Group 33 Starting system

Starting system, 5-cyl.....	81
Starting system, Diesel, 6-cyl. & 8-cyl.....	82

Table of Contents 2:3

Group 35 Lighting

High and low beams/Bi-Xenon & Daytime running lights V70	83
High and low beams/Bi-Xenon & Daytime running lights XC90	84
Active headlights (ABL)	85
Fog lights	86
Brake lights	87
Reversing lights	88
Follow-me-home lighting.....	89
Running/parking lights, tail lights & license plate lighting V70	90
Running/parking lights, tail lights & license plate lighting XC90	91
Interior lighting V70.....	92
Interior lighting XC90	93
Beam length adjustment V70.....	94
Beam length adjustment XC90	95
Auxiliary lights.....	96

Group 36 Additional electrical equipment

Rain sensor.....	97
Direction indicators and hazard warning flashers V70	98
Direction indicators and hazard warning flashers XC90	99
Wiper/washer Windshield	100
Wiper/washer Headlights V70	101
High pressure headlight washer	102
Wiper/washer Rear window	103
Horn	104
Electronic immobilizer.....	105
Anti-theft alarm V70	106
Anti-theft alarm XC90	107
Parking assistance.....	108
Alcohol lock.....	109
Accessory Electronic Module (AEM) 1:2	110

Group 37 Wiring and fuses

Diagnostics system.....	112
12V outlet	113
Tow hitch cable harness, 4-pin	114
Tow hitch cable harness, 4/7-pin	115
Tow hitch cable harness, 7-pin	116
Tow hitch cable harness, 13-pin	117
Accessory USB unit (AUU), XC90.....	118

Group 38 Instruments

Seat belt reminder	119
Driver information module, 5-cyl.	120
Driver information module, Bi-Fuel	121
Driver information module, Diesel.....	122
Driver information module, 6-cyl.	123
Driver information module, 8-cyl.	124

Group 39 Other

Audio with auxiliary amplifier V70 1:2	125
Audio V70	127
Audio XC90.....	128
Audio Performance XC90	129
Road Traffic Information module (RTI) V70.....	130
Portable navigation system.....	131
Road Traffic Information module (RTI) XC90	132
Handsfree V70	133
Handsfree XC90	134
Handsfree MAX V70	135
Handsfree MAX XC90.....	136
CD changer V70	137
RTI & CD changer V70	138
MP3 player V70	139
Cellular phone V70	140
Subwoofer V70	141
Subwoofer XC90.....	142
Satellite radio V70.....	143
Satellite radio XC90	144
Rear seat entertainment V70 1:2	145
Rear seat entertainment XC90	147
Rear seat entertainment XC90	148
Infotainment XC90	149
Rear seat entertainment roof mounted XC90	150
Parking camera, XC90.....	151
AEM & Parking camera, XC90.....	152

Group 43 Transmission

Automatic transmission AW55-51SN/AW51AWD.....	153
Automatic transmission TF-80SC AWD, 8-cyl.	154
Automatic transmission TF-80SC/TF-80SC AWD 6-cyl. & Diesel.....	155
Geartronic AW55-51 SN/AW51 AWD	156
Shift lock AW51 & Manual	157
Differential Electronic Module (DEM).....	158

Table of Contents 3:3

Group 59 Brake system

Brake control system 159

Group 64 Steering

Electronic power steering 160

Group 76 Shock absorbers

Four-C V70 161

Group 83 Doors and openings

Central locking system V70 162

Central locking system XC90..... 163

Power windows..... 164

Power sunroof..... 165

Group 84 Exterior decorative elements, etc.

Power exterior rearview mirrors..... 166

Blind spot information system..... 167

Heated exterior rearview mirrors 168

Heated rear window..... 169

Group 85 Interior equipment

Power driver's seat 170

Power passenger seat..... 171

Heated seats..... 172

Group 87 Climate control system

Rear climate control system XC90 173

Climate control system, 5-cyl. 1:2..... 174

Climate control system, Diesel, 6-cyl. & 8-cyl. 1:2..... 176

Parking heater, auxiliary heater 178

Relay, electric engine heater 179

Remote parking heater start V70..... 180

Parking heater call start V70..... 181

Auxiliary heater V70..... 182

Group 88 Internal equipment

Remote garage door opener..... 183

Supplemental Restraint System module (SRS) V70 . 184

Supplemental Restraint System module (SRS) XC90 185

Connectors.....186

Branching points221

Cable harness routine in vehicle

Engine harness Gasoline.....233

Engine harness Gasoline 6-cyl234

Engine harness Diesel.....235

Engine compartment harness LHD, V70236

Engine compartment harness RHD, V70237

Engine compartment harness LHD, XC90.....238

Engine compartment harness RHD, XC90239

Passenger compartment harness LHD, V70240

Passenger compartment harness RHD, V70.....241

Passenger compartment harness LHD, XC90.....242

Passenger compartment harness RHD, XC90243

Cargo compartment harness V70244

Cargo compartment harness XC90245

Roof harness & Inflatable curtain harness V70.....246

Tailgate harness V70.....246

Roof harness XC90247

Tailgate harness XC90247

Door harness V70248

Door harness XC90249

Bi-Fuel harnesses V70.....250

Rear seat entertainment V70.....251

Component illustrations252

Index 1:2333

List of components 1:10335

Explanations

Abbreviations

Groups

Group 23	= Fuel system
Group 26	= Cooling system
Group 27	= Engine controls
Group 32	= Alternator and voltage regulator
Group 33	= Starting system
Group 35	= Lighting
Group 36	= Additional electrical equipment
Group 37	= Wiring and fuses
Group 38	= Instruments
Group 39	= Other
Group 43	= Transmission
Group 59	= Brake system
Group 64	= Steering
Group 76	= Shock absorbers
Group 83	= Doors and openings
Group 84	= Exterior decorative elements, etc.
Group 85	= Interior equipment
Group 87	= Climate control system
Group 88	= Internal equipment

Ignition switch symbols

X	= Accessories (audio position)
S	= Powered upon insertion of key
15	= Contact remains connected during start
15l	= Contact is broken while starting
30	= Constant power from the battery
50	= Start

Countries/Markets

A	= Austria
AUS	= Australia
B	= Belgium
CDN	= Canada
CH	= Switzerland
D	= Germany
DK	= Denmark
E	= Spain
EU/OS	= Markets outside USA and Canada
FIN	= Finland
GB	= Great Britain
ISR	= Israel
J	= Japan
KOR	= Korea
N	= Norway
NL	= Netherlands
S	= Sweden
USA	= United States of America
WEU	= Western Europe

Other

ABL	= Active Bi-Xenon Light
ACC	= Accessory
AMP	= Amplifier
AUDIO	= Audio system
AUTO	= Automatic transmission
Bi-X	= Bi-Xenon
BLIS	= Blind spot information system
CEM	= Central Electronic Module
DIESEL	= D5244 T4/T5/T6/T7
DRL	= Daytime Running Lights
DSTC	= Dynamic Stability Traction Control
ECC	= Electronic climate control system
ECPS	= Electronic power steering
EXC	= Exclusive
EXT. D	= Extended electrical distribution
HISPEED	= High speed data bus
LH	= Left-hand side
LHD	= Left-hand drive
LOSPEED	= Low speed data bus
MAN	= Manual transmission
MCC	= Manual Climate Control
PCL	= Power Child Lock
PETROL	= Gasoline
REM	= Rear Electronic Module
RH	= Right-hand side
RHD	= Right-hand drive
RTI	= Road Traffic Information
SRS	= Airbag
SUBWOOF	= Bass speaker
SUM	= Suspension Module (SUM)
T	= Turbocharged engine
W/O	= Without
5CYL	= 5-cylinder engine
6CYL	= 6-cylinder engine
8CYL	= 8-cylinder engine

Colors

BL	= Blue
BN	= Brown
GN	= Green
GR	= Gray
NL	= Natural
LBL	= Light Blue
LGN	= Light Green
OR	= Orange
P	= Pink
R	= Red
SB	= Black
VO	= Violet
W	= White
Y	= Yellow

How to use the wiring diagrams 1:2

The descriptions below apply in general to all wiring diagram manuals, although not all sections are necessarily contained in this manual.

A. Component designation

Every component has a component designation that consists of two parts.

The first part is a type number that describes the type of component in question, for example 3/xx.

The second part of the designation is a serial number, e.g. x/2.

Together, this constitutes a component designation, e.g. 3/2.

At the end of the manual is a list of components, where, with the help of the component designation, you can read off the name of the component, for example, 3/2 = light switch.

List of type numbers

The list shows which type of component that respective type numbers refer to, for example, 3/x = switch, 6/x = electric motor, etc.

1	Battery
2	Relay
3	Switch
4	Control module
5	Driver information module
6	Electric motor
7	Sensor
8	Actuator
9	Heating element
10	Light
11	Fuse
15	Electrical distribution rail/box
16	Audio
17	Service/diagnostics
18	Contact reel
19	Meter
20	Ignition component/shunt
26	Converter
27	Optics
31	Ground connection
53	Branching point
54	Connector

B. Branching points

The wiring diagrams contain numbered junction points, e.g. 53/352.

This manual contains a section with a list of branching points. This list shows all the components that are connected to each branching point.

The location of the branching points is shown in the "Cable harness routing in vehicle" section.

C. Connectors

Connectors provide a bridge between two cable harnesses and are described in the "Connectors" section.

D. Electrical distribution

Operation of the fuses and relays is shown in the "Electrical distribution" section.

E. Data communication

Today's cars are equipped with CAN, LIN & MOST networks that transmit information. Connections to these networks are not shown in their entirety on the respective wiring diagram. Complete information on Data communication can be found in the section entitled "Control modules".

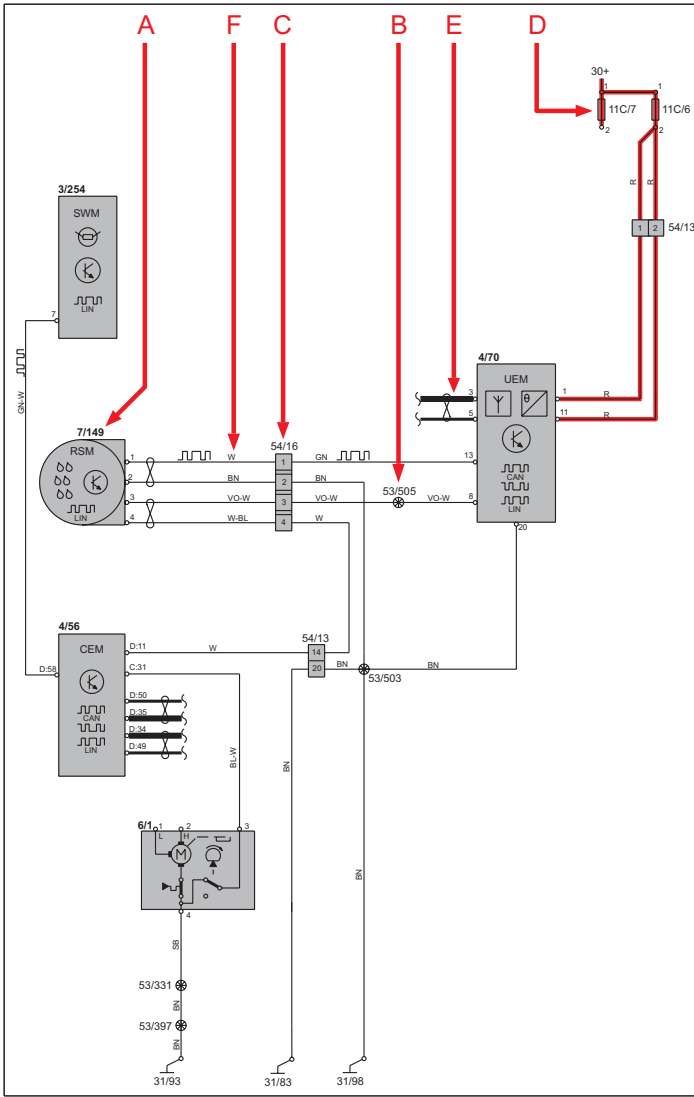
F. Abbreviations

A number of different abbreviations are used in the manual. These are explained in the section "Abbreviations".


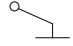
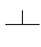
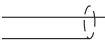

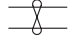
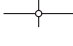










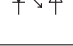



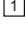
G. Component location

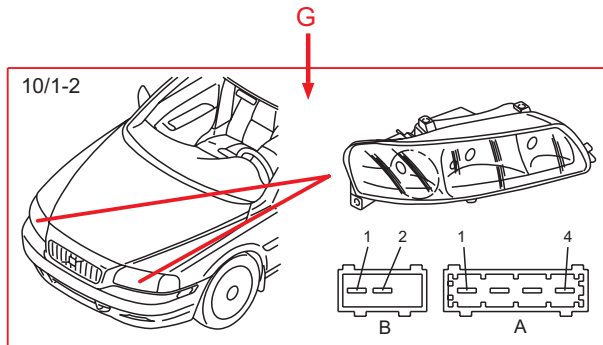
There is a section at the end of the manual in which the appearance and location of components is described in numerical order.

How to use the wiring diagrams 2:2



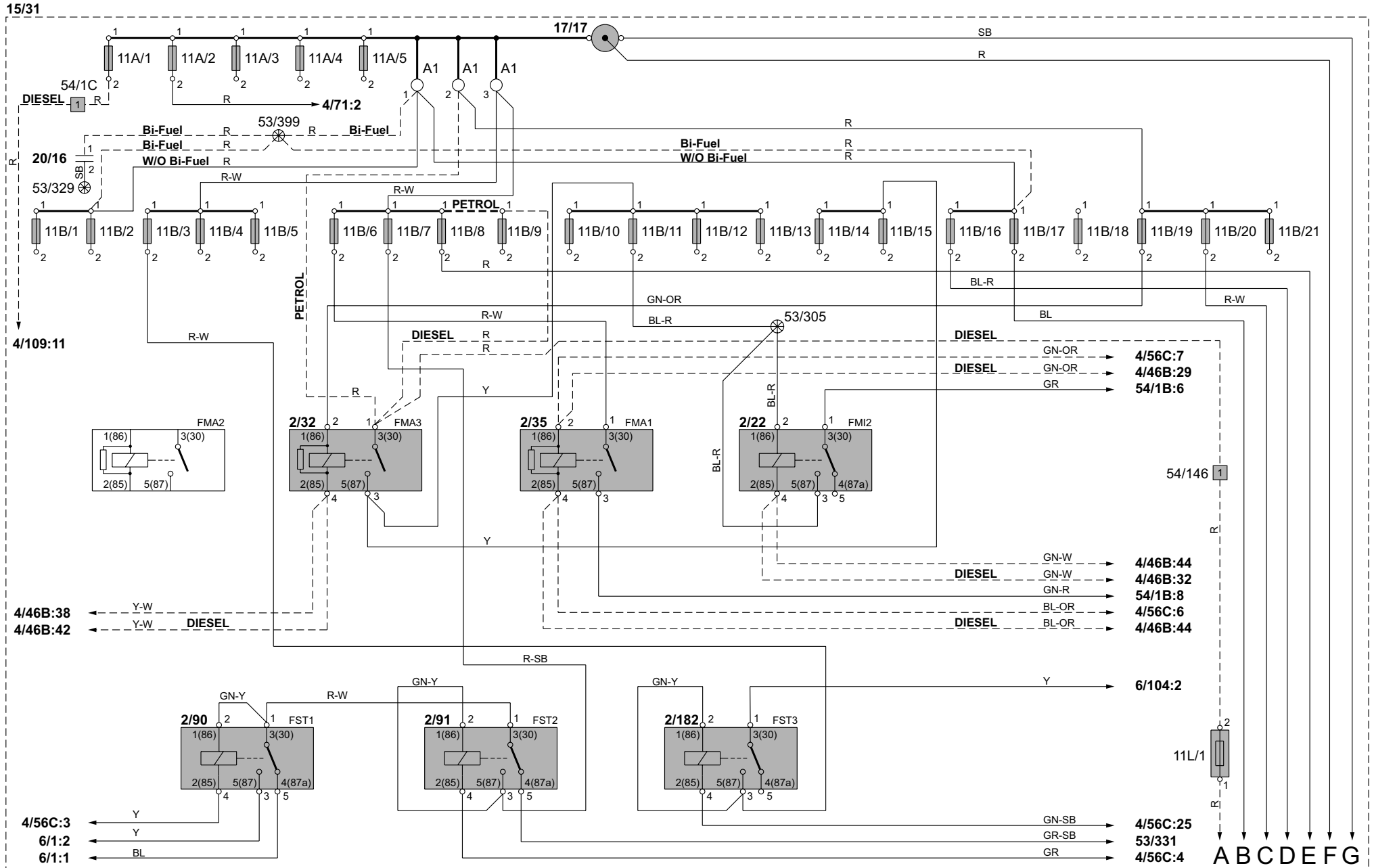
List of symbols

-  = System voltage
-  = Ground connection via wiring
-  = Ground connection in component/chassis
-  = Screened wire
-  = Junction point
-  = Twisted cable
-  = Electrical connection
-  = Variant
-  = CAN communication
-  = CAN high data signal (CAN H)
-  = CAN low data signal (CAN L)
-  = LIN communication
-  = LIN communication
-  = DIN cable, coaxial cable, etc.
-  = Data communication
-  = CAN communication
-  = MOST communication
-  = MOST communication
-  = Connection with distribution box
-  = Further connection to...
-  = Connector between cable harnesses
-  = Connector connected in component



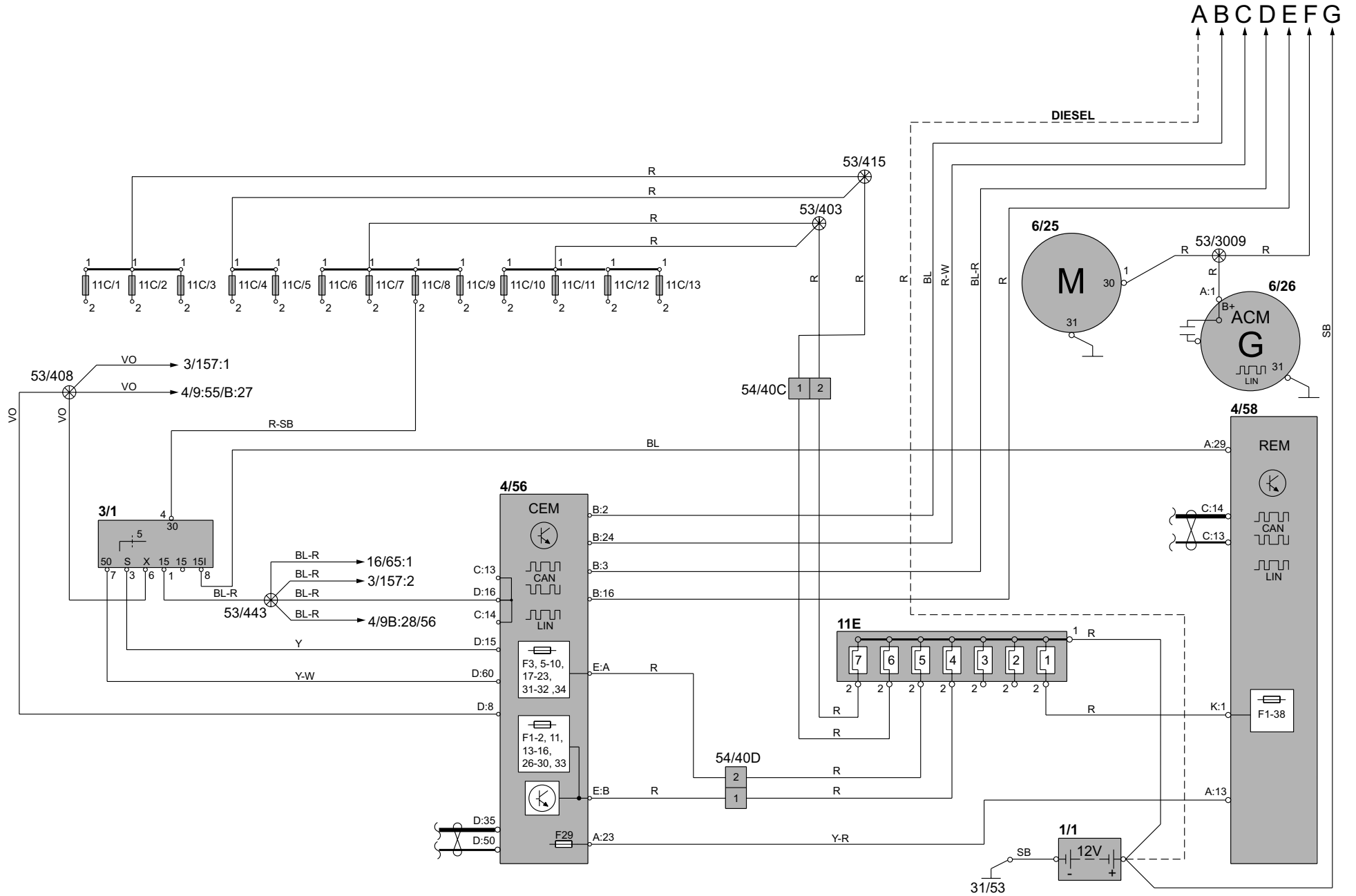
Electrical distribution V70 1:2

Overview



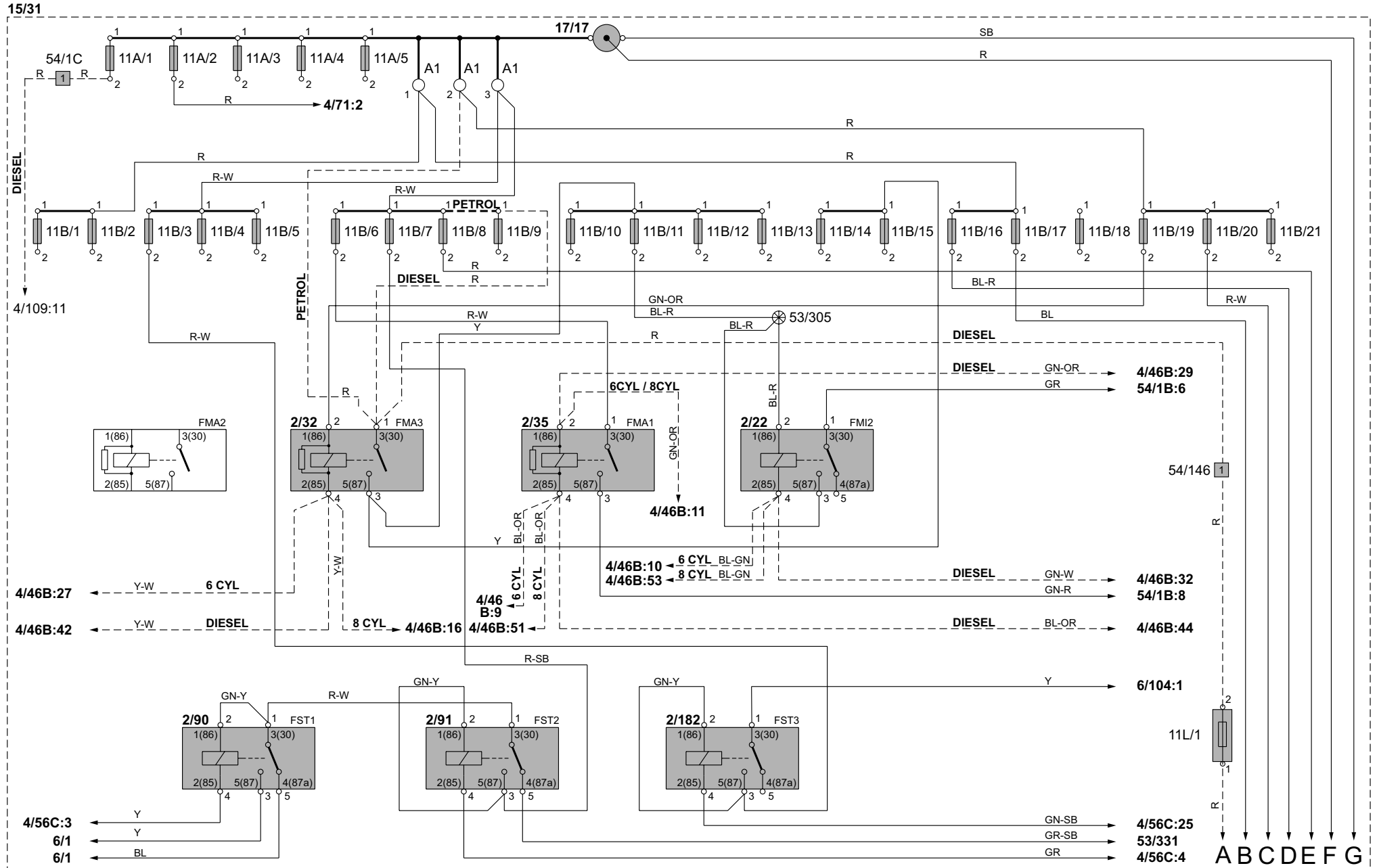
Electrical distribution V70 2:2

Overview



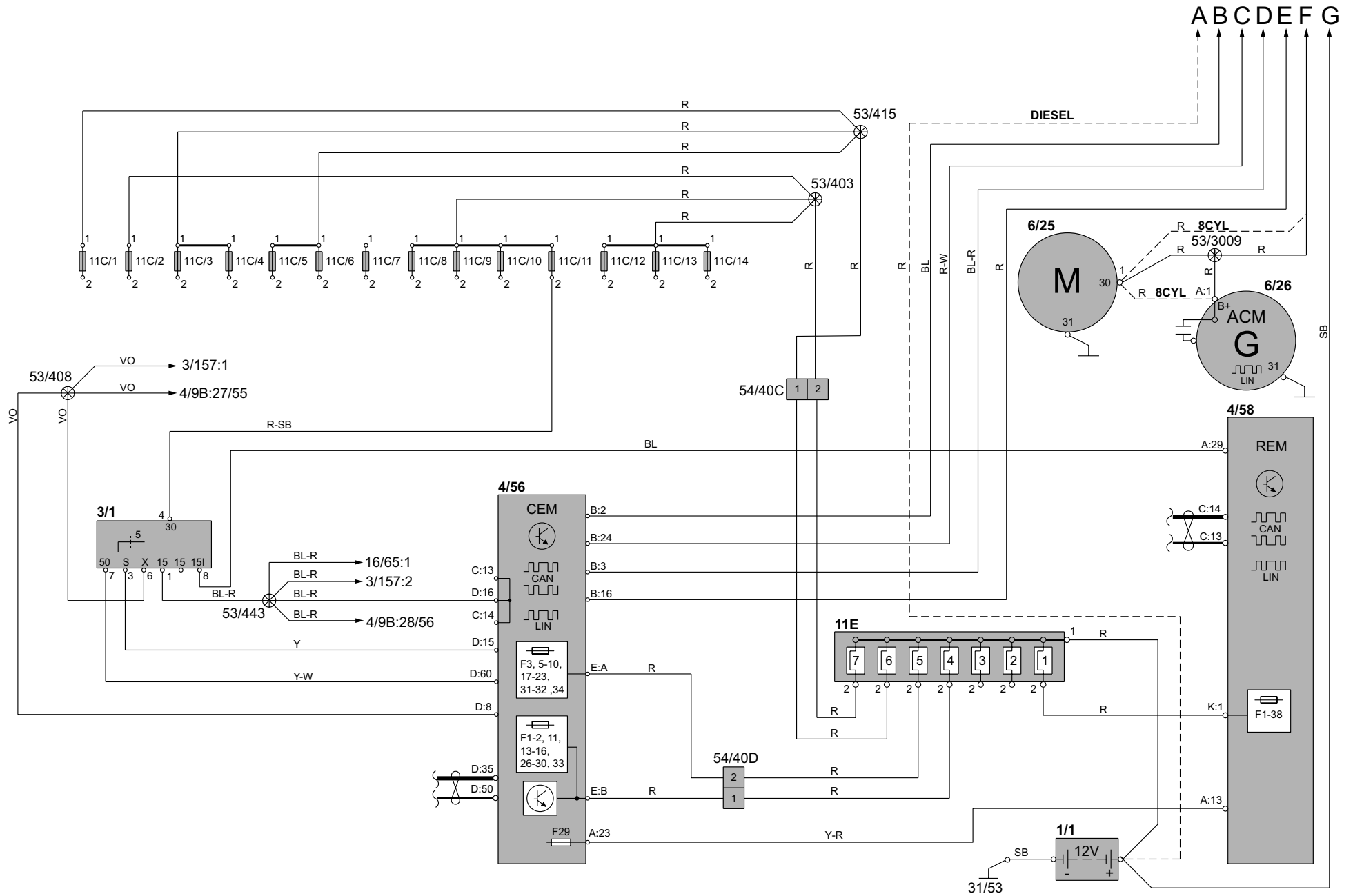
Electrical distribution XC90 1:2

Overview



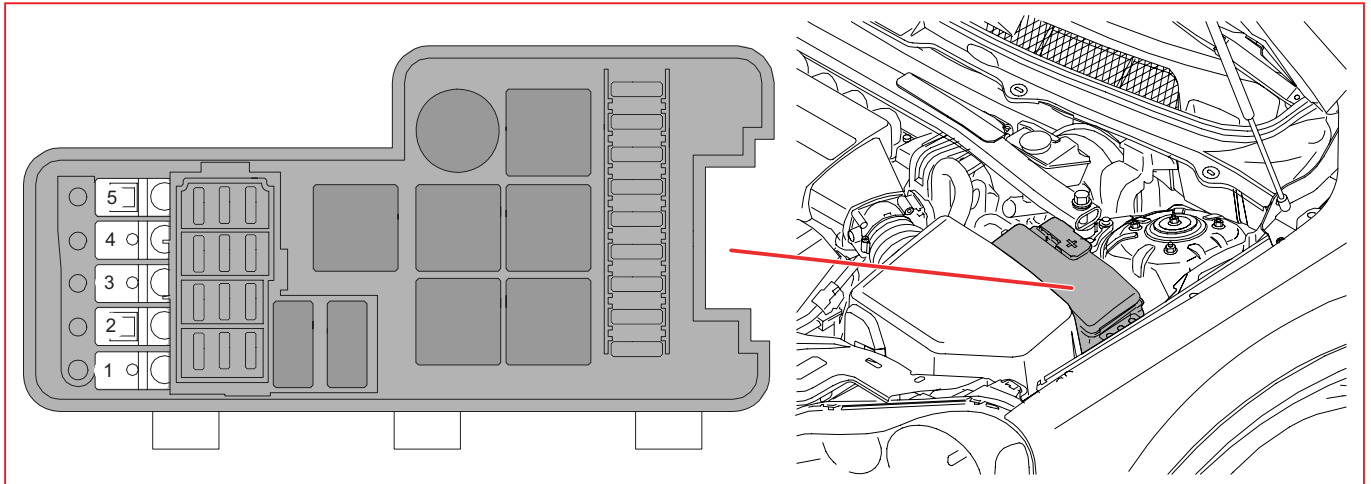
Electrical distribution XC90 2:2

Overview



Fuses

Engine compartment 11A/1-5

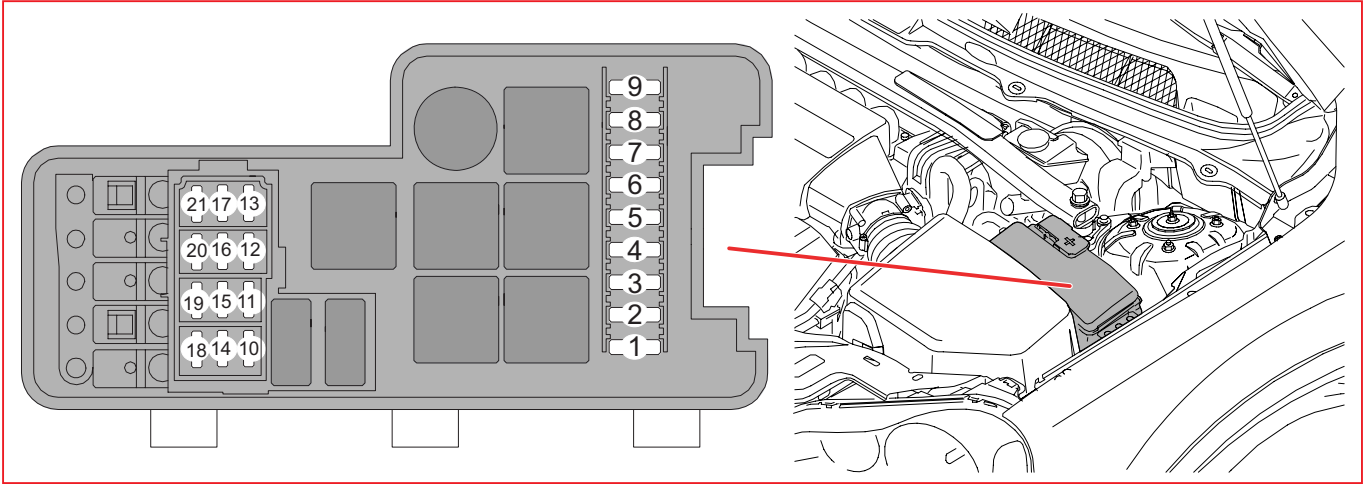


11A Fuses in engine compartment

No.	Fuse function	via	A
1	4/109 Glow plug control unit (GCU) 20/22-26 Glow plug	- 4/109	60
2	6/29 Cooling fan motor, Diesel	4/71	60
3	-	-	-
4	-	-	-
5	-	-	-

Fuses

Engine compartment 11B/1-11

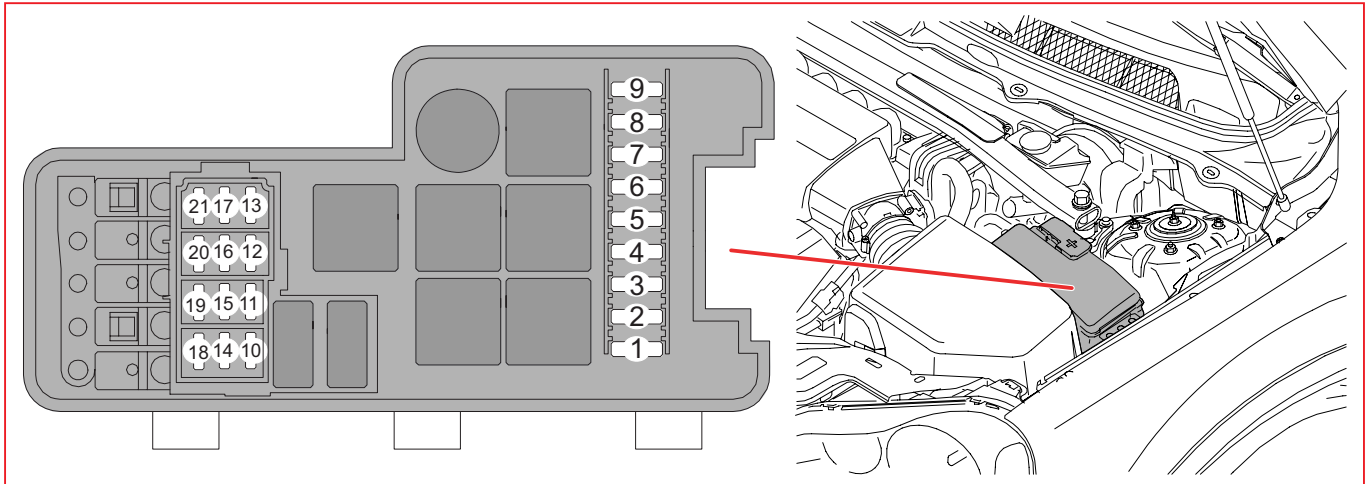


11B Fuses in engine compartment

No.	Fuse function	via	A
1	4/16 Brake Control Module (BCM)	-	30
2	4/16 Brake Control Module (BCM)	-	30
3	6/104 High pressure headlight washer motor	2/182	35
4	6/35 Fuel pump, auxiliary heater 6/73 Coolant pump, auxiliary heater 9/30 Auxiliary heater	4/7 4/7 4/7	25
5	54/8 Connector, cable harness, auxiliary lights, 30-feed	-	20
6	6/25 Starter motor	2/35	35
7	2/90 Relay, windshield wiper, low/high speed 2/91 Relay, intermittent wiping 6/1 Windshield wiper motor	2/91 - 2/90, 2/91	25
8	4/83 Control module fuel pump 6/33 Fuel pump	4/56 4/56	15
9	4/28 Transmission Control Module (TCM), TF-80SC/TF-80SC AWD	-	15
10	4/46 Engine Control Module (ECM), Diesel 20/3-8 Spark plug and ignition coil, not 8-cyl. 20/14 Condenser, ignition coils, 8-cyl. 20/46-53 Spark plug with ignition coil, 8-cyl.	- - - -	20
11	6/44 Cooling fan, electrics box, engine compartment 7/51 Accelerator pedal sensor 8/3 Electromagnetic clutch, climate control system	- - 2/22	10
continues			

Fuses

Engine compartment 11B/12-14

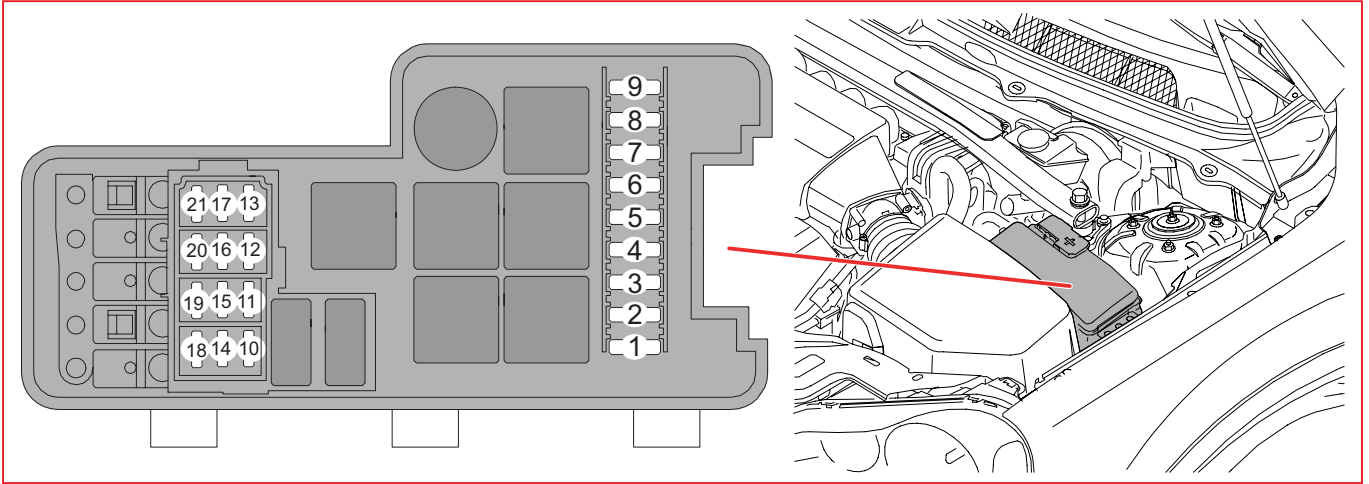


11B Fuses in the engine compartment

No.	Fuse function	via	A
12	7/17 Mass air flow sensor (MAF), Diesel	-	5
	4/46 Engine Control Module (ECM), Gasoline not 8-cyl.	-	15
	7/17 Mass air flow sensor (MAF), Gasoline not 8-cyl.	-	
	8/6-11 Injection valves, Gasoline not 8-cyl.	-	
	8/146-8/153 Injection valves, 8-cyl.	-	
13	4/46 Engine Control Module (ECM), 5-cyl. normally aspirated/8-cyl.	-	10
	4/50 Electronic Throttle Module (ETM), Bi-Fuel	-	
	6/120 Throttle body motor, 5-cyl. normally aspirated/8-cyl.	4/46	
	4/46 Engine Control Module (ECM), Diesel	-	15
	6/118 Swirl throttle control motor, Diesel	4/46	
	6/120 Throttle body motor, Diesel	4/46	
	6/139 Upper actuating motor, intake manifold	-	
	6/140 Lower actuating motor, intake manifold	-	
8/98 Fuel pressure control valve, Diesel	4/46		
8/111 Fuel flow control valve	4/46		
14	7/15 Heated oxygen sensor, Diesel	-	10
	4/46 Engine Control Module (ECM), Bi-Fuel	-	20
	7/15 Heated oxygen sensor	-	
	7/82 Heated oxygen sensor, diagnosis 1	-	
	7/103 Heated oxygen sensor 3	-	
	7/15 Front heated oxygen sensor, bank 2, 8-cyl.	-	20
	7/82 Front heated oxygen sensor, bank 1, 8-cyl.	-	
	7/103 Rear heated oxygen sensor, bank 2, 8-cyl.	-	
7/104 Rear heated oxygen sensor, bank 1, 8-cyl.	-		
continues			

Fuses

Engine compartment 11B/15

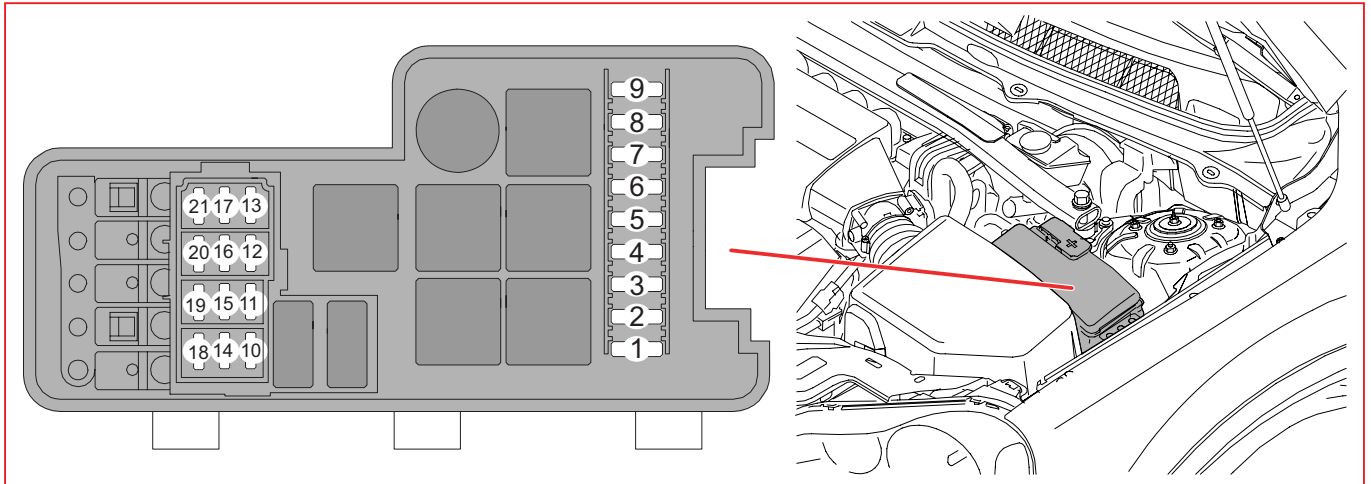


11B Fuses in the engine compartment

No.	Fuse function	via	A	
15	6/67	Pump, fuel leakage control	-	10
	6/105	Fuel distributor gas, Bi-Fuel	-	
	8/18	EVAP valve	-	
	8/19	Solenoid, variable valve timing, intake	-	
	8/28	Turbocharger control valve	-	
	8/75	Valve, fuel cut-off DFCO	-	
	8/81	Solenoid, variable valve timing outlet	-	
	9/32	PTC resistor, crankcase ventilation	-	
	8/125	Variable valve lifter, front plane, 6-cyl.	-	
8/126	Variable valve lifter, rear plane, 6-cyl.	-		
4/46	Engine Control Module (ECM), 8-cyl.	-	-	
6/67	Pump, fuel leakage control, 8-cyl.	-		
7/17	Mass air flow sensor (MAF), 8-cyl.	-		
8/3	Electromagnetic clutch, climate control system, 8-cyl.	-		
8/18	EVAP valve, 8-cyl.	-		
8/19	Solenoid, variable valve timing, intake, bank 2, 8-cyl.	-		
8/81	Solenoid, variable valve timing, exhaust, bank 2, 8-cyl.	-		
8/107	Valve, variable intake, 8-cyl.	-		
8/117	Solenoid, variable valve timing, intake, bank 1, 8-cyl.	-		
8/118	Solenoid, variable valve timing, exhaust, bank 1, 8-cyl.	-		
4/109	Glow plug control unit (GCU)	-	-	
6/143	Turbo control motor, Diesel	-		
8/64	Solenoid valve, engine pad, Diesel	-		
8/113	Bypass valve, EGR cooling, Diesel	-		
8/120	EGR valve, Diesel	-		
continues				

Fuses

Engine compartment 11B/16-20

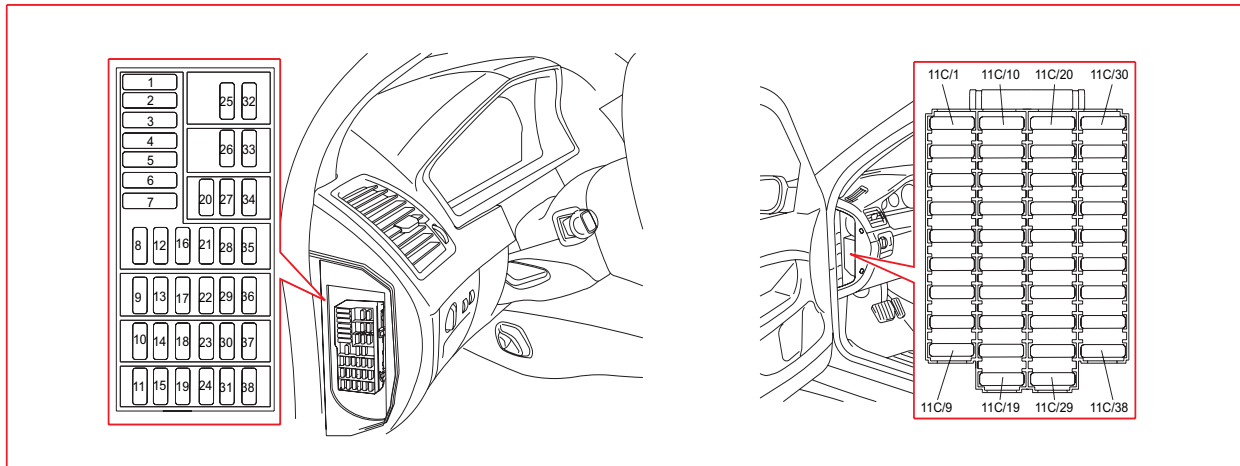


11B Fuses in the engine compartment

No.	Fuse function	via	A
16	10/1 Left front lamp housing, daytime running lights	4/56	20
	10/70 Low beam, left	4/56	
17	10/2 Right front lamp housing, daytime running lights	4/56	20
	10/66 Low beam, right	4/56	
19	2/32 Main relay, engine management system	-	5
	4/46 Engine Control Module (ECM)	-	
20	10/11 Running/parking light, front left	4/56	15
	10/12 Running/parking light, front right	4/56	
	10/71 Side running light, front left	4/56	
	10/73 Side running light, front right	4/56	

Fuses

Passenger compartment 11C/1-4

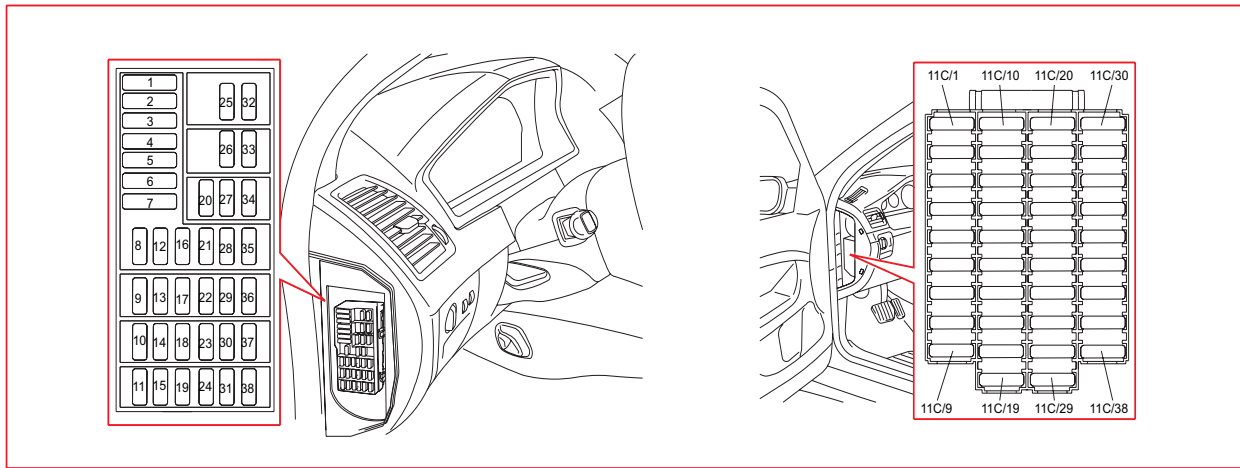


11C Fuses in the passenger compartment

No.	Fuse function	via	A
1	4/52 Power Seat Module (PSM), V70	-	25
	6/16 Driver seat motor, backrest angle, V70	4/52	
	6/17 Driver seat motor, up/down front edge, V70	4/52	
	6/18 Driver seat motor, up/down rear edge, V70	4/52	
	6/19 Driver seat motor, forward/backward, V70	4/52	
	6/28 Motor, passenger compartment fan, XC90	4/31	
2	6/20 Passenger seat motor, forward/backward, V70	3/27	25
	6/64 Passenger seat motor, backrest angle, V70	3/27	
	6/65 Passenger seat motor, up/down front edge, V70	3/27	
	6/66 Passenger seat motor, up/down rear edge, V70	3/27	
	16/105 Audio Module (AUD), XC90	-	
3	6/28 Motor, passenger compartment fan, V70	4/31	30
	4/52 Power Seat Module (PSM), XC90	-	
	6/16 Driver seat motor, backrest angle, XC90	4/52	
	6/17 Driver seat motor, up/down front edge, XC90	4/52	
	6/18 Driver seat motor, up/down rear edge, XC90	4/52	
	6/19 Driver seat motor, forward/backward, XC90	4/52	
4	3/75 Lock unit, right front door, V70	3/127	25
	3/127 Passenger/Driver Door Module (PDM)/(DDM), V70	-	
	6/60 Front right power window motor, V70	3/127	
	6/63 Right power exterior rearview mirror, V70	3/127	
	9/34 Right heated exterior rearview mirror, V70	3/127	
	10/149 Right exterior rearview mirror lighting, V70	3/127	
	6/20 Passenger seat motor, forward/backward, XC90	3/27	
	6/64 Passenger seat motor, backrest angle, XC90	3/27	
	6/65 Passenger seat motor, up/down front edge, XC90	3/27	
	6/66 Passenger seat motor, up/down rear edge, XC90	3/27	
continues			

Fuses

Passenger compartment 11C/5-7



11C Fuses in the passenger compartment

No.	Fuse function	via	A
5	3/74 Lock unit, left front door, V70	3/126	25
	3/126 Driver/Passenger Door Module (DDM)/(PDM), V70	-	
	6/58 Front left power window motor, V70	3/126	
	6/62 Left power exterior rearview mirror, V70	3/126	
	9/33 Left heated exterior rearview mirror, V70	3/126	
	10/148 Left exterior rearview mirror lighting, V70	3/126	
	3/74 Left front door lock unit, XC90	3/126	
	3/126 Driver/Passenger Door Module (DDM)/(PDM), XC90	-	
	6/58 Front left power window motor, XC90	3/126	
	6/62 Left power exterior rearview mirror, XC90	3/126	
6	3/117 Ceiling light switch unit, V70	4/70	10
	4/33 Sun Roof Module (SRM), V70	4/70	
	4/70 Upper Electronic Module (UEM), V70	-	
	4/76 Remote controlled garage door opener, V70	4/70	
	7/149 Rain Sensor Module (RSM), V70	4/70	
	10/25 Ceiling light, cargo compartment, V70	4/70	
	10/114 Left-hand vanity mirror lighting, V70	4/70	
	10/115 Right-hand vanity mirror lighting, V70	4/70	
	10/150 Rear reading light, V70	4/70	
	3/75 Lock unit, right front door, XC90	3/127	
7	3/127 Passenger/Driver Door Module (PDM)/(DDM), XC90	-	25
	6/60 Front right power window motor, XC90	3/127	
	6/63 Right power exterior rearview mirror, XC90	3/127	
	9/34 Right heated exterior rearview mirror, XC90	3/127	
	10/149 Right exterior rearview mirror lighting, XC90	3/127	
	6/15 Sunroof motor, V70	4/33	
continues			