

Volvo V70 08 Xc70 08 S80 07 2011 Wiring Diagram

Full download: <http://manualplace.com/download/volvo-v70-08-xc70-08-s80-07-2011-wiring-diagram/>



VOLVO V70 (08-), XC70 (08-) & S80 (07-)

WIRING DIAGRAM 2011



TP 39180202

Vehicles with SRS (Airbag)/SIPS bag/ IC (Inflatable curtain)

Warning!

Extra caution must be exercised when working on vehicles equipped with SRS/SIPS bag/IC in order to avoid:

1. Personal injuries when performing repair work.
2. Damage or malfunction of the SRS/SIPS bag/IC system.

Work involving the SRS/SIPS bag/IC systems or other components in the vehicle that may affect the SRS/SIPS bag/IC systems must always be performed by an authorized Volvo workshop.

In case of doubt, consult the SRS and SIPS bag/IC service manual.

Is the vehicle equipped with SRS/SIPS bag/IC?

Vehicles with SRS are most easily recognized by the letters SRS in the center of the steering wheel. If the vehicle also has a passenger side airbag, the letters SRS are stamped on the dashboard above the glove compartment. SRS vehicles from 1993 and onward also have explosive seat belt tensioners. SIPS bags are only installed on SRS vehicles from 1995 and onward. SIPS bag decals are located on the windshield and seat compartment. Vehicles with IC can be recognized by the letters IC on the C/D panel (4 door) or the B panel (5 door).

General recommendations

- Be especially careful when working on or around SRS, SIPS, and IC components.
- Make sure that no wires are pinched, frayed, or pierced.
- Never fit accessories by the sensors.
- Where applicable, work on the steering wheel, steering shaft, or steering gear must be done in accordance with the methods in the SRS section of VIDA.
- Certain components of the aforementioned systems must be grounded while working. Read the appropriate sections in VIDA.
- Install no accessories in the areas between the A and B-posts, the B and C-posts, and the C and D-posts.

Test terminal

Fuse in cargo compartment auxiliary fuse box.

Changes introduced up to May 2010

Any changes made to the vehicle after this date are not included in the manual. If necessary, refer to service bulletins.

Volvo models are sold in versions adapted for different markets. These adaptations depend on factors such as legal requirements, taxation, and market demands.

This manual may therefore include illustrations and text that do not apply to the vehicles in your country.

Ordering:

Electronic Wiring Diagrams (EWD) can be ordered from the Technical Information Shop (TIS) at

www.volvocarstechinfo.ford.com

We retain the right to make modifications

Table of Contents 1:3

Vehicles with SRS (Airbag)/SIPS bag/	
IC (Inflatable curtain)	2
Explanations	7
How to use the wiring diagrams 1:2.....	8

Electrical distribution

Overview, Electrical center and Cold zone in engine compartment.....	10
Overview, Distribution box in cargo compartment	11
Overview, Distribution box in passenger compartment	12

Fuses

Distribution box in engine compartment F1-F7	13
Distribution box in engine compartment F8-F21	14
Distribution box in engine compartment F22-F31	15
Distribution box in engine compartment F32-F37	16
Distribution box in engine compartment F38	17
Distribution box in engine compartment F38-F39.....	18
Distribution box in engine compartment F39-F44	19
Central electronic module (CEM) F1-F3	20
Central electronic module (CEM) F4-F19	21
Central electronic module (CEM) F20-F24	22
Passenger compartment.....	23
Distribution box in passenger compartment F1 - F17...	24
Distribution box in passenger compartment F18 - F22.	25
Distribution box in passenger compartment F23 - F30.	26
Distribution box in cargo compartment FA1-FA11	27
Battery PF1-PF2	28

Relays

Relays in the engine compartment R2.....	29
Relays in the engine compartment R8-R9.....	30
Relays in the engine compartment R10-R13.....	31
Relays in passenger compartment R1 - R4.....	32
Cargo compartment.....	33
Cargo compartment RA1 - RA2.....	34
Central Electronic Module (CEM)	35

Ground connections

Overview.....	36
31/1 - 31/6	37
31/7 - 31/10	38
31/15 - 31/47	39
31/48 - 31/68	40
31/83 - 31/88	41
31/89 - 31/100	42
31/XX4 - 31/INFOT	43
31/AL	44

Control modules

Overview locations.....	45
Overview designations.....	46
Central Electronic Module (CEM) 1:3	47
Data communication high speed CAN.....	50

Data communication high speed CAN, 4-Cyl.....	51
Data communication intermediate speed CAN, LHD...	52
Data communication intermediate speed CAN, RHD ..	53
Data communication, LIN 1:2.....	54
Data communication MOST.....	56
Steering Wheel Module (SWM)	57

Group 23 Fuel system

Engine management system, 4-Cyl. 1:2	58
Engine management system, 4-Cyl. Turbo 1:2.....	60
Engine management system, 5-Cyl. Turbo 1:2.....	62
Engine management system, 6-Cyl. 1:2	64
Engine management system, 6-Cyl. B6324S2 1:2	66
Engine management system, 6-Cyl. Turbo 1:2.....	68
Engine management system, 8-Cyl. 1:2	70
Engine management system, 4-Cyl. Diesel DV6B 1:3.	72
Engine management system, 5-Cyl. Diesel	
Single Turbo 1:3	75
Engine management system, 5-Cyl. Diesel	
Twin Turbo 1:3	78
Emission control 4-Cyl.	81
Emission control 4-Cyl. Turbo.....	82
Emission control 5-Cyl. Turbo.....	83
Emission control 6-Cyl.	84
Emission control 8-Cyl.	85

Group 26 Cooling system

Cooling fan 4-Cyl.	86
Cooling fan 4-Cyl. Turbo	87
Cooling fan, 5-Cyl. Turbo & 6-Cyl.	88
Cooling fan, 4-Cyl. Diesel	89
Cooling fan, 5-Cyl. Diesel	90
Cooling fan 8-Cyl.	91

Group 27 Engine controls

Cruise control 4-Cyl.	92
Cruise control 4-Cyl. Turbo	93
Cruise control 4-Cyl. Diesel	94
Cruise control 5-Cyl. & 6-Cyl.....	95
Cruise control 5-Cyl. Diesel	96
Cruise control 8-Cyl.	97

Group 32 Alternator and voltage regulator

Power supply 4-Cyl.	98
Power supply	99

Group 33 Starting system

Starting system 4-Cyl.....	100
----------------------------	-----

Group 33 Starting system

Starting system 4-Cyl. Diesel.....	101
Starting system 5-, 6- & 8-Cyl.....	102
Starting system 5-Cyl. Diesel.....	103

Table of Contents 2:3

Group 35 Lighting

High and low beam	104
High and low beam (Dual Xenon).....	105
Beam length adjustment, manual	106
Beam length adjustment, automatic (Dual Xenon)	107
Running/Parking lights, Tail lights V70	108
Running/Parking light, Tail lights S80	109
Running/Parking lights, Tail lights (Dual Xenon) V70	110
Running/Parking light, Tail lights (Dual Xenon) S80..	111
Fog lights V70.....	112
Fog lights S80.....	113
Brake lights V70.....	114
Brake lights S80.....	115
Reversing lights V70.....	116
Reversing lights S80.....	117
Follow-me-home lighting LHD	118
Follow-me-home lighting RHD	119
Interior lighting, LHD 1:2	120
Interior lighting, RHD 1:2	122
Active headlight	124
Lighting in door sill trims	125
Auxiliary lights.....	126
Lighting mug holder and floor	127

Group 36 Additional electrical equipment

Rain sensor.....	128
Direction indicator and hazard warning flashers LHD V70.....	129
Direction indicator and hazard warning flashers LHD S80.....	130
Direction indicator and hazard warning flashers RHD V70.....	131
Direction indicator and hazard warning flashers RHD S80.....	132
Wiper/washer windshield.....	133
High pressure headlight washer	134
Wiper/Washer rear window.....	135
Keyless vehicle 1:2.....	136
Horn	138
Anti-theft alarm	139
Parking assistance.....	140
Collision warning with power brake booster	141
Tire pressure monitoring system (TPMS).....	142
Alcohol lock.....	143

Group 37 Wiring and fuses

Diagnostics system.....	144
Outlet 12 V.....	145
Cable harness towbar/tow hitch 4-pin V70	146

Cable harness towbar/tow hitch 4-pin S80	147
Cable harness towbar/tow hitch 7-pin V70	148
Cable harness towbar/tow hitch 7-pin S80	149
Cable harness towbar/tow hitch 13-pin V70	150
Cable harness towbar/tow hitch 13-pin S80	151
Accessory USB unit (AUU)	152

Group 38 Instruments

Seat belt reminder	153
Driver information module.....	154
Analog clock	155

Group 39 Other

Cellular phone 1:2.....	156
Audio 1:2.....	158
Audio Premium 1:3	160
DAB Radio	163
Telephone system Bluetooth	164
Bluetooth Handsfree	165
Multimedia & Traffic information	166
Rear seat entertainment	167
Satellite radio	168
Parking camera.....	169
Navigation system, portable.....	170

Group 43 Transmission

Transmission M66.....	171
Automatic transmission, TF-80SC AWD.....	172
Automatic transmission MPS6.....	173
Differential Electronic Module (DEM).....	174

Group 55 Parking brake

Electric parking brake	175
------------------------------	-----

Group 59 Brake system

Brake control system & DSTC	176
-----------------------------------	-----

Group 64 Steering

Speed dependent power steering	177
--------------------------------------	-----

Group 76 Shock absorbers

Four-C	178
--------------	-----

Table of Contents 3:3

Group 83 Doors and openings

Central locking front doors LHD.....	179
Central locking front doors RHD.....	180
Central locking rear doors.....	181
Central locking trunk lid/tailgate V70.....	182
Central locking trunk lid/tailgate S80.....	183
Central locking fuel filler flap.....	184
Signal receiver central locking.....	185
Power windows front doors LHD.....	186
Power windows front doors RHD.....	187
Power windows rear doors.....	188
Power sunroof.....	189

Group 84 Exterior decorative elements, etc.

Power door mirrors LHD.....	190
Power door mirrors RHD.....	191
Heated door mirrors LHD.....	192
Heated door mirrors RHD.....	193
Blind spot information system LHD.....	194
Blind spot information system RHD.....	195
Heated rear window.....	196

Group 85 Interior equipment

Power driver's seat with memory function, LHD.....	197
Power driver's seat with memory function, RHD.....	198
Power passenger seat, LHD.....	199
Power passenger seat, RHD.....	200
Heated front seats with fans.....	201
Heated front seats without fans.....	202
Heated rear seat.....	203
Massage seats.....	204

Group 87 Climate control system

Climate control system PTC-elements.....	205
Climate control system, 4-Cyl. 1:2.....	206
Climate control system, 5-, 6- & 8-Cyl. 1:2.....	208
Climate control system 4-Cyl. Diesel 1:2.....	210
Climate control system 5-Cyl. Diesel 1:2.....	212
Parking heater, auxiliary heater.....	214
Parking heater, remote start.....	215
Refrigeration box rear seat.....	216

Group 88 Internal equipment

Rear-view mirror with automatic dimming.....	217
Supplemental restraint system 1:2.....	218

Power folding headrest.....	220
Remote control garage opening.....	221

Connectors..... 222

Branching points262

Cable harness routing in vehicle

Engine harness 4-Cyl.....	280
Engine harness, 5-Cyl.....	280
Engine harness, 6-Cyl.....	281
Harness engine, 6-Cyl. Turbo.....	281
Engine harness, 8-Cyl.....	282
Harness engine, 1.6L Diesel.....	282
Harness engine, 2.0L Diesel.....	283
Harness engine, 2.4L Diesel.....	283
Engine compartment harness LHD.....	284
Harness dashboard, LHD.....	286
Harness Dashboard, RHD.....	287
Harness Floor, LHD S80.....	288
Harness Floor, RHD S80.....	289
Harness Floor, LHD V70.....	290
Harness Floor, RHD V70.....	291
Harness infotainment, LHD S80.....	292
Harness infotainment, RHD S80.....	293
Harness infotainment, LHD V70.....	294
Harness infotainment, RHD V70.....	295
Roof harness, S80.....	296
Roof harness, V70.....	296
Center console harness.....	297
Tunnel harness.....	297
Harness front door, left.....	298
Harness front door, right.....	298
Harness rear door, left.....	299
Harness rear door, right.....	299
Trunk lid/tailgate harness, S80.....	300
Trunk lid/tailgate harness, V70.....	300
Harnesses rear axle.....	301
Executive harnesses.....	302

Component illustrations303

Index 1:3370

List of components 1:8373

Explanations

Abbreviations

Groups

Group 23	= Fuel system
Group 26	= Cooling system
Group 27	= Engine controls
Group 32	= Alternator and voltage regulator
Group 33	= Starting system
Group 35	= Lighting
Group 36	= Additional electrical equipment
Group 37	= Wiring and fuses
Group 38	= Instruments
Group 39	= Other
Group 43	= Transmission
Group 55	= Parking brake
Group 59	= Brake system
Group 64	= Steering
Group 76	= Shock absorbers
Group 83	= Doors and openings
Group 84	= Exterior decorative elements, etc.
Group 85	= Interior equipment
Group 87	= Climate control system
Group 88	= Internal equipment

Ignition switch symbols

X	= Accessories (audio position)
S	= Powered upon insertion of key
15	= Contact remains connected during start
15l	= Contact is broken while starting
30	= Constant power from the battery
50	= Start

Countries/Markets

A	= Austria
AUS	= Australia
B	= Belgium
CDN	= Canada
CH	= Switzerland
D	= Germany
DK	= Denmark
E	= Spain
EU/OS	= Markets outside USA and Canada
FIN	= Finland
GB	= Great Britain
ISR	= Israel
J	= Japan
KOR	= Korea
N	= Norway
NL	= Netherlands
S	= Sweden
USA	= United States of America
WEU	= Western Europe

Other

ACC	= Adaptive Cruise Control
Ag	= Silver plated
Au	= Gold plated
AUTO	= Automatic transmission
BLIS	= Blind spot information system
CAN	= CAN communication
DPY	= Display
Du-X	= Dual Xenon
ECC	= Electronic climate control system
ETA	= Throttle unit
EXC	= Exclusive
GDL	= Gas discharge lamp
HISPEED	= High speed data bus
IR	= Infrared sensor
KEYLESS	= Keyless vehicle
LIN	= LIN communication
LH	= Left-hand side
LHD	= Left-hand drive
MAN	= Manual transmission
MEMORY	= Memory driver's seat
MIDSPEED	= Midspeed data bus
MMS	= Mass Movement Sensor
PETROL	= Gasoline
RH	= Right-hand side
RHD	= Right-hand drive
RTI	= Road Traffic Information
SCR	= Screened
SRS	= Airbag
T	= Turbocharged engine
W/O	= Without
2WD	= Two-wheel drive
4CYL, I4	= 4-cylinder engine
5CYL, I5	= 5-cylinder engine
6CYL, I6	= 6-cylinder engine
8CYL, V8	= 8-cylinder engine

Colors

BK, SB	= Black
BN	= Brown
BU, BL	= Blue
GN	= Green
GY, GR	= Gray
LGN	= Light Green
NL	= Natural
OG, OR	= Orange
PK, P	= Pink
RD, R	= Red
VT, VO	= Violet
WH, W	= White
YE, Y	= Yellow

How to use the wiring diagrams 1:2

The descriptions below apply in general to all wiring diagram manuals, although not all sections are necessarily contained in this manual.

A. Component designation

Every component has a component designation that consists of two parts.

The first part is a type number that describes the type of component in question, for example 3/xx.

The second part of the designation is a serial number, e.g. x/2.

Together, this constitutes a component designation, e.g. 3/2.

At the end of the manual is a list of components, where, with the help of the component designation, you can read off the name of the component, for example, 3/2 = light switch.

List of type numbers

The list shows which type of component that respective type numbers refer to, for example, 3/x = switch, 6/x = electric motor, etc.

1	Battery
2	Relay
3	Switch
4	Control module
5	Driver information module
6	Electric motor
7	Sensor
8	Actuator
9	Heating element
10	Light
11	Fuse
15	Electrical distribution rail/box
16	Audio
17	Service/diagnostics
18	Contact reel
19	Meter
20	Ignition component/shunt
27	Optics
31	Ground connection
73	Branching point
74	Connector

The systems are shown in non active status, i.e. with "key removed" and when doors, hatches and hood are closed.

B. Branching points

The wiring diagrams contain numbered branching points, for example 73/5035.

This manual contains a section with a list of branching points. This list shows all the components that are connected to each branching point.

The location of the branching points is shown in the "Cable harness routing in vehicle" section.

C. Connectors

Connectors provide a bridge between two cable harnesses and are described in the "Connectors" section.

D. Electrical distribution

Operation of the fuses and relays is shown in the "Electrical distribution" section.

E. Data communication

Today's cars contain CAN, LIN and MOST networks that transfer information. Connections to these networks are not shown in their entirety in the respective wiring diagram. Complete information on CAN, LIN and MOST communication is found in the section "Control modules".

F. Abbreviations

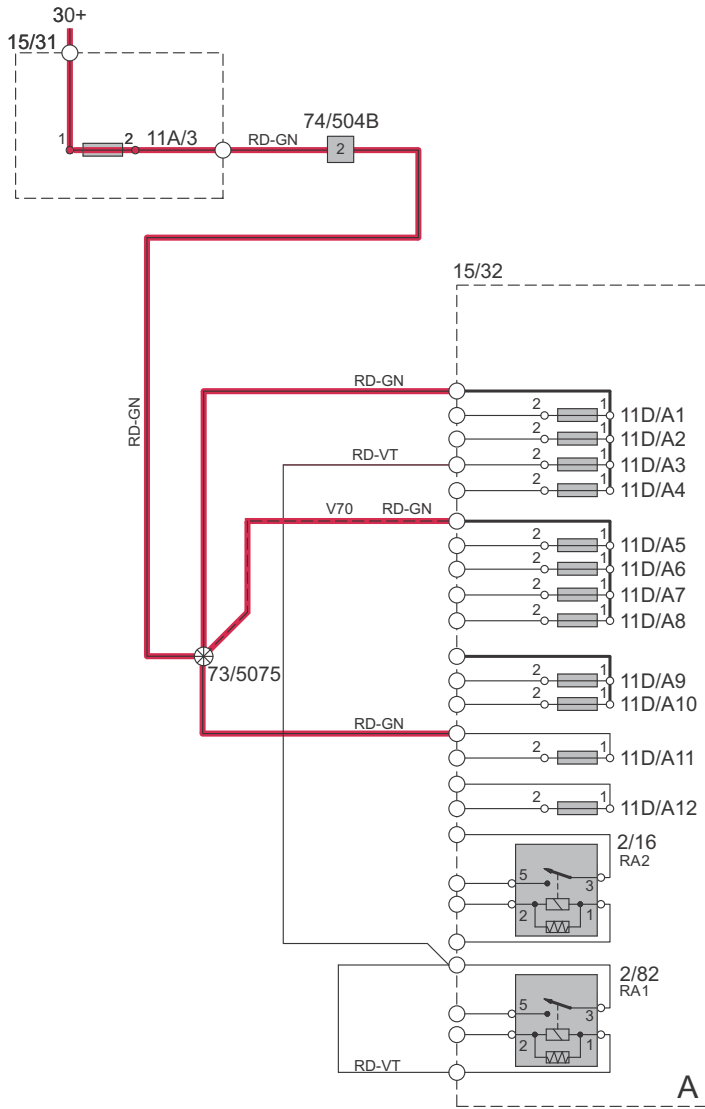
A number of different abbreviations are used in the manual. These are explained in the section "Abbreviations".

G. Component location

The end of the manual contains a section that describes component appearance and location in numerical order.

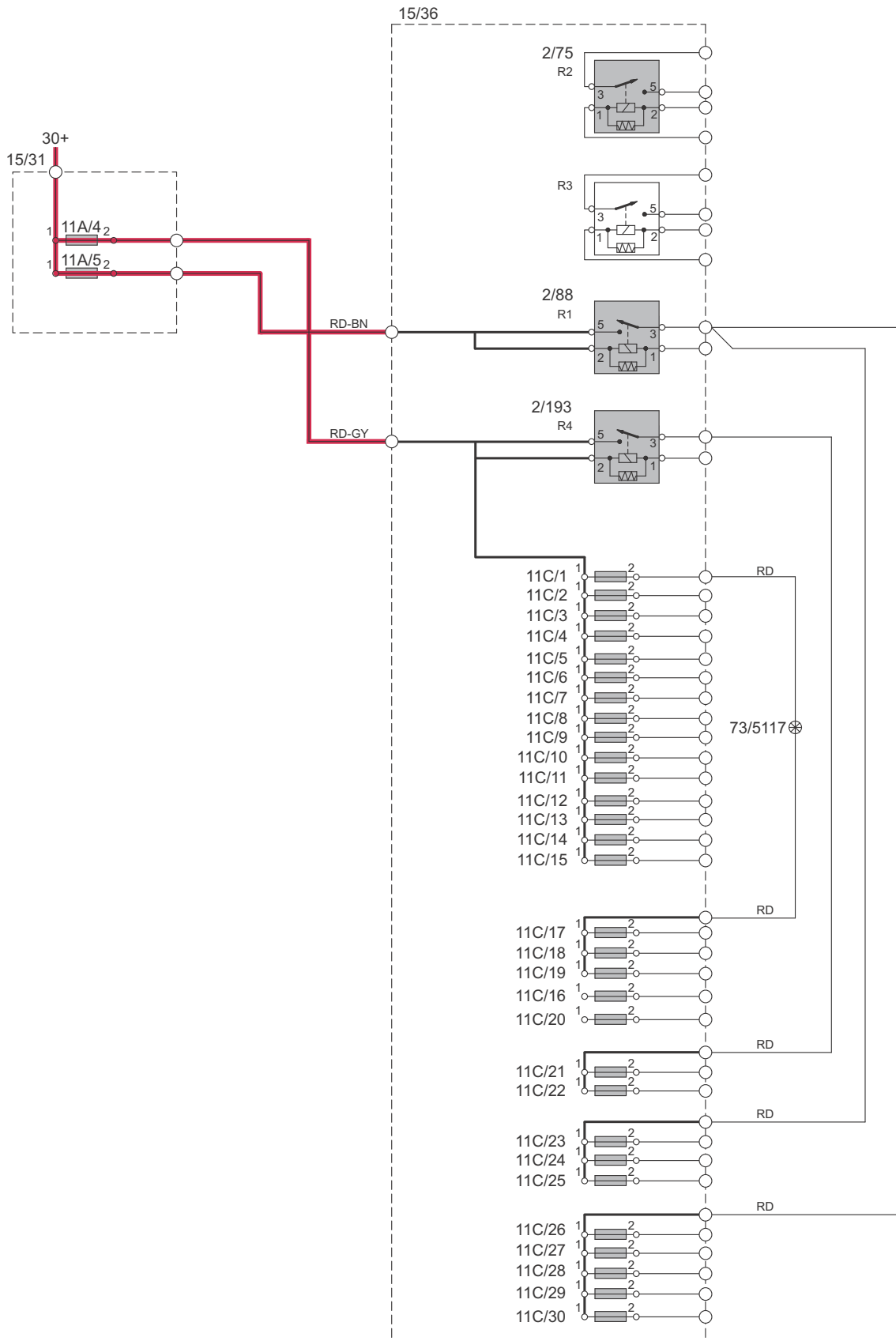
Electrical distribution

Overview, Distribution box in cargo compartment



Electrical distribution

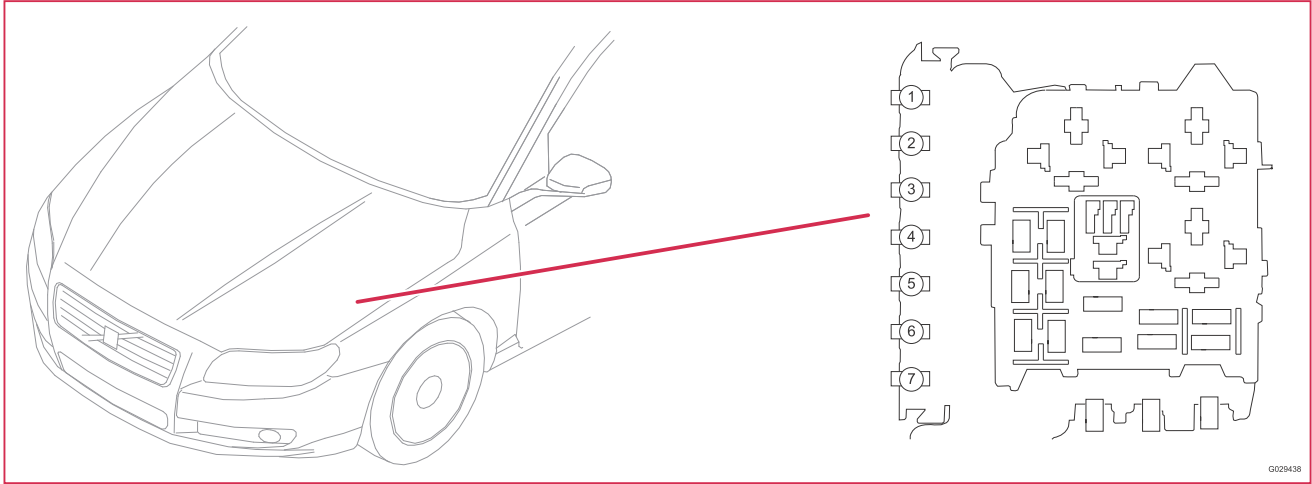
Overview, Distribution box in passenger compartment



G042241

Fuses

Distribution box in engine compartment F1-F7

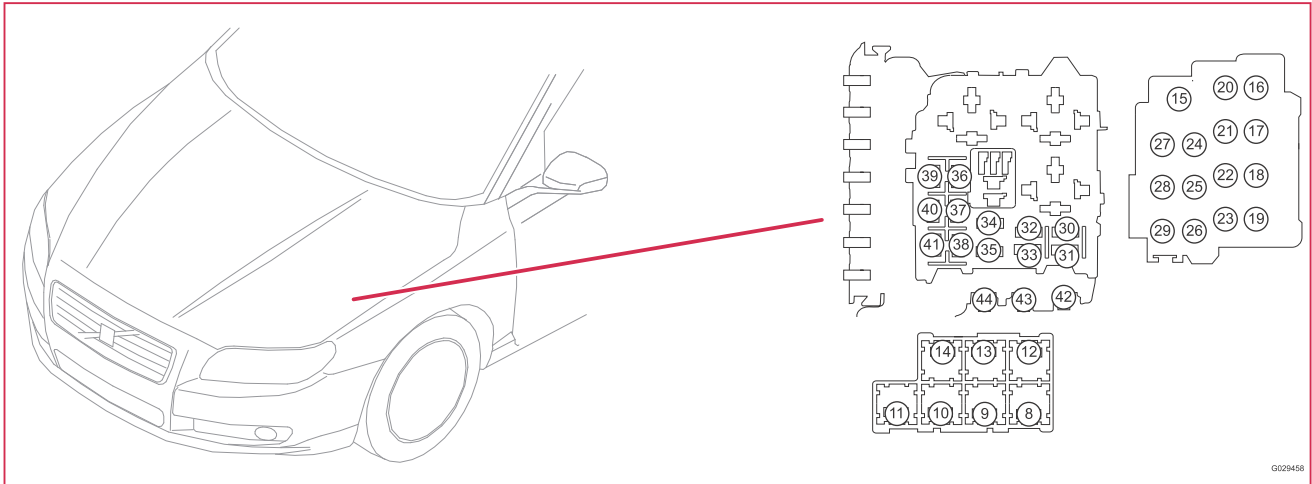


15/31 Distribution box in engine compartment

No.	No.	Fuse function	via	A
F1	11A/1	4/56 F7 F9-F11 F21 F23	- relay in CEM relay in CEM relay in CEM relay in CEM	50
F2	11A/2	4/56 F3-F6 F8 F13-F16 F22 F24	- relay in CEM relay in CEM - - -	50
F3	11A/3	11D/A1-11D/A11	-	60
F4	11A/4	2/193 11C/1 11C/7-11C/15 11C/21-11C/22 11D/A5	- - - 2/193 -	60
F5	11A/5	2/88 11C/23-11C/24 11C/26-11C/30	- 2/88 2/88	60
F7	11A/7	9/42	-	100
continues				

Fuses

Distribution box in engine compartment F8-F21

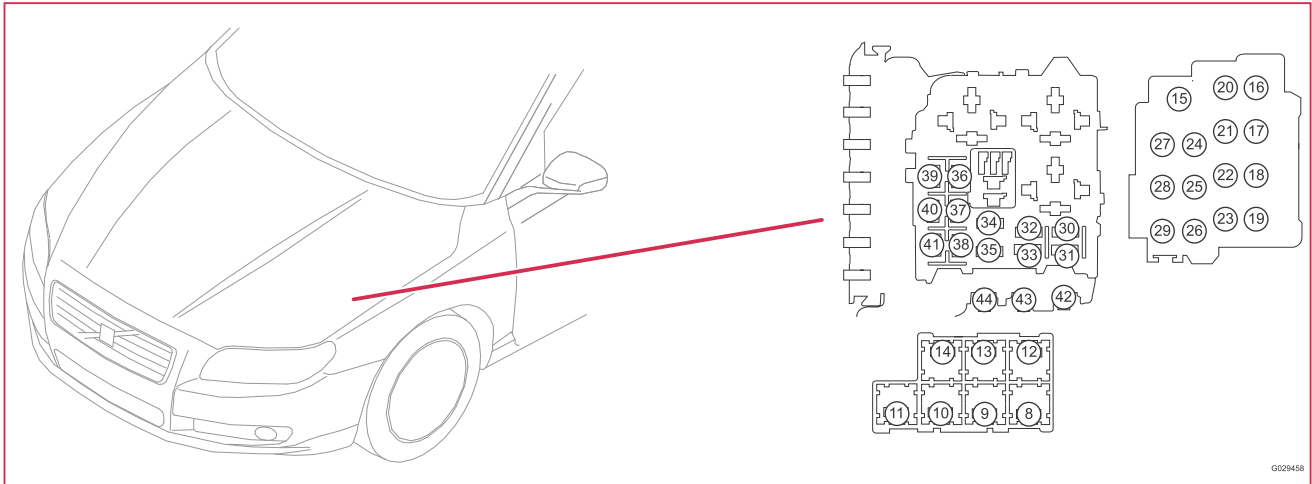


15/31 Distribution box in engine compartment

No.	No.	Fuse function	via	A
F8	11B/8	2/182 Relay, headlight washer motor 6/104 Washer motor headlights	- 2/182	20
F9	11B/9	6/1 Wiper Motor Module (WMM)	-	30
F10	11B/10	4/7 Combustion Preheater Module (CPM) 4/106 Control module, remote parking heater start	- -	25
F11	11B/11	4/31 Passenger compartment fan control module 6/28 Motor, passenger compartment fan	- -	40
F13	11B/13	4/16 Brake Control Module (BCM), pump	-	40
F14	11B/14	4/16 Brake Control Module (BCM), valves	-	20
F16	11B/16	4/118 Headlamp Control Module (HCM) 10/1 Lamp housing, front left 10/2 Lamp housing, front right	- - -	10
F17	11B/17	4/56 Central Electronic Module (CEM) F18-F19 Fuses in the Central Electronic Module (CEM)	-	20
F18	11B/18	4/16 Brake Control Module (BCM)	-	5
F19	11B/19	4/99 Speed dependent power steering control module	-	5
F20	11B/20	4/28 Transmission Control Module (TCM) 4/28B Transmission Control Module (TCM) MPS6 4/46 Engine Control Module (ECM) 4/9 Supplemental Restraint System Module (SRS)	- - - -	10
F21	11B/21	9/43 Heated windshield washer nozzle, left 9/44 Heated windshield washer nozzle, right	- -	10
continues				

Fuses

Distribution box in engine compartment F22-F31

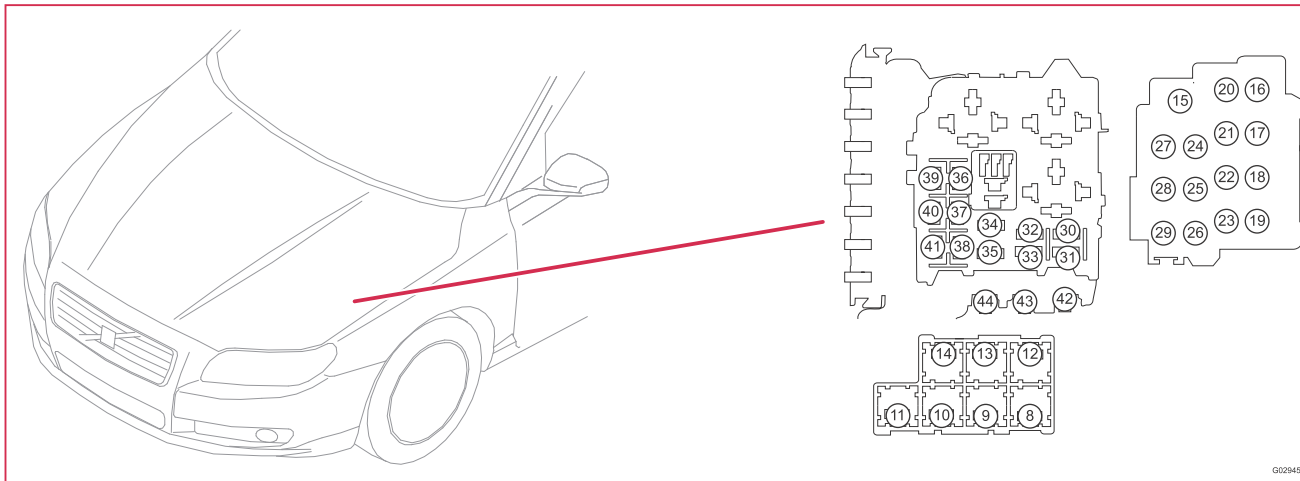


15/31 Distribution box in engine compartment

No.	No.	Fuse function	via	A
F22	11B/22	2/14 Relay, glow plug system 6/114 Vacuum pump, 5-Cyl. Turbo 6/164 Electrical power steering module (EPS), 4-Cyl. 1.6l Diesel	- 2/133 -	5
F23	11B/23	3/111 Light Switch Module (LSM)	-	5
F27	11B/27	2/31 Relay, 15-feed	-	5
F28	11B/28	2/64 Relay, auxiliary lights 10/65 Auxiliary light, front right 10/69 Auxiliary light, front left	- 2/64 2/64	20
F29	11B/29	2/17 Relay, horn 16/10 Horn 1 16/11 Horn 2	- 2/17 2/17	15
F30	11B/30	2/32 Main relay, engine management system 4/46 Engine Control Module (ECM)	- -	10
F31	11B/31	4/28 Transmission Control Module (TCM)	-	15
continues				

Fuses

Distribution box in engine compartment F32-F37

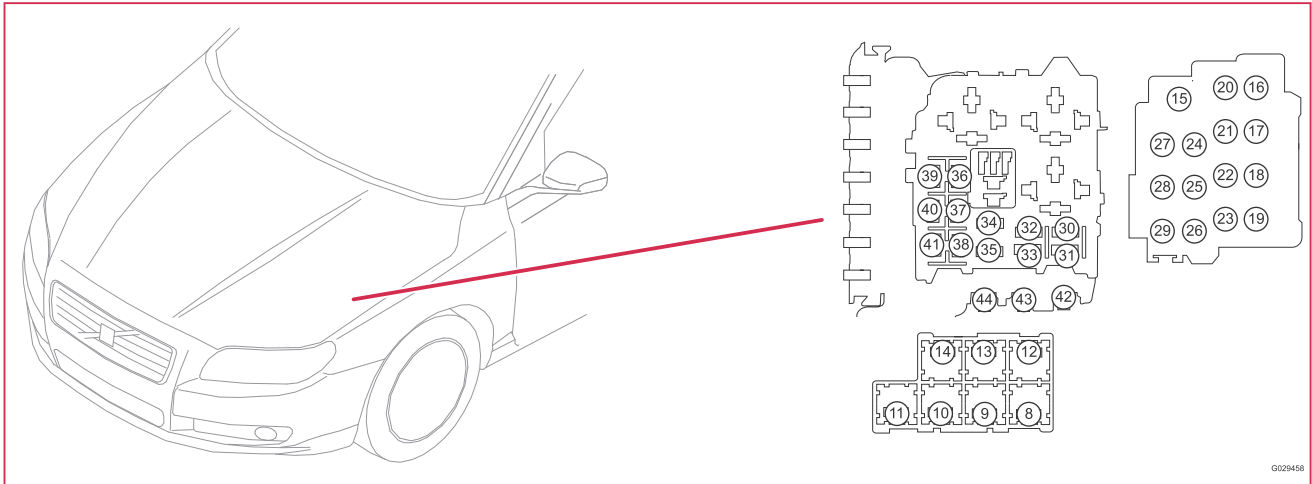


15/31 Distribution box in engine compartment

No.	No.	Fuse function	via	A
F32	11B/32	8/3 Electromagnetic clutch, climate control system	2/22	15
F33	11B/33	2/14 Relay, glow plug system. 4-Cyl. Diesel	-	5
		2/22 Relay, climate control system	-	
		2/239 Relay, coolant pump, 8-Cyl.	-	
F34	11B/34	6/25 Starter motor	2/35	30
F35	11B/35	20/3-8 Spark plug with ignition coil, 5-, 6- & 8-Cyl.	-	20
		20/12-13 Spark plug with ignition coil, 8-Cyl.	-	
		20/16 Capacitor 6-Cyl.	-	
		4/109 Control module glow plug, 5-Cyl. Diesel	-	10
		20/3-6 Spark plug with ignition coil, 4-Cyl.	-	
		8/82 Solenoid, variable turbo geometry, 4-Cyl. Diesel	-	
		8/111 Control valve fuel flow, 4-Cyl. 1.6L Diesel	-	
8/132 Control valve intake, 4-Cyl. 2.0L Diesel	-			
F36	11B/36	4/46 Engine Control Module (ECM), 4-, 5-, 6-, 8-Cyl.	-	10
		6/120 Throttle unit	4/46	
		4/46 Engine control module (ECM), 4-, 5-Cyl. Diesel	-	15
		6/120 Throttle unit, 5-Cyl. Diesel	4/46	
F37	11B/37	4/46 Engine control module (ECM), 6-Cyl. 1.6L Diesel	-	15
		6/99 Engine EGR, 4-Cyl. 1.6L Diesel	-	
		8/6-11 Injection valves	-	
		8/98 Control valve fuel pressure, Diesel	-	
		8/111 Control valve fuel flow, 5-Cyl. Diesel	-	
		8/115 Injector	-	
		8/116 Injector	-	
		7/17 Mass airflow sensor (MAF)	-	
7/17 Mass air flow sensor (MAF), 2.0L Diesel	-	10		
continues				

Fuses

Distribution box in engine compartment F38



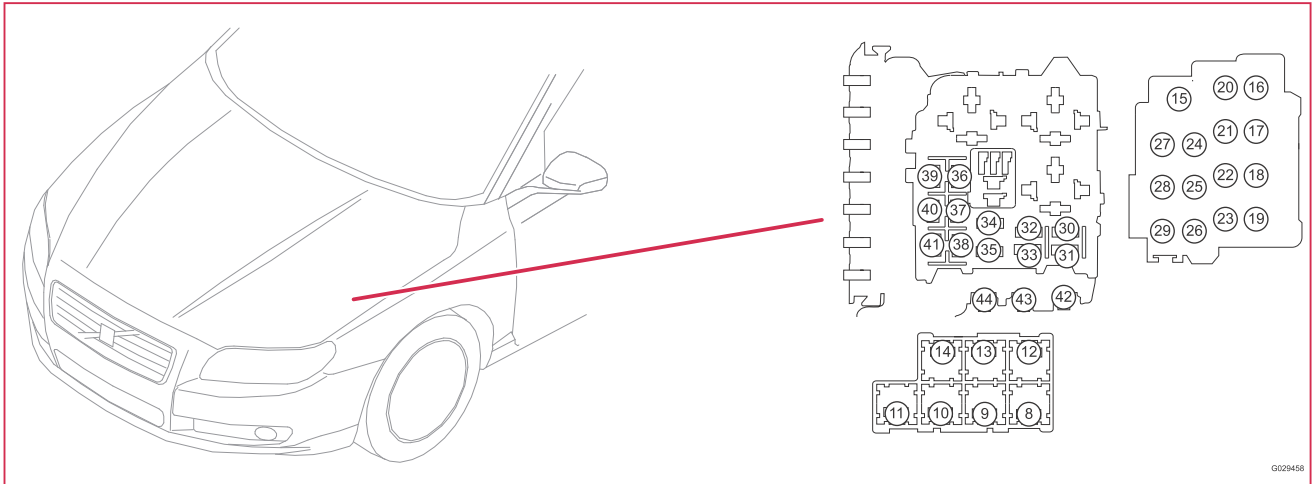
G029458

15/31 Distribution box in engine compartment

No.	No.	Fuse function	via	A
F38	11B/38	6/99 Engine EGR, 4-Cyl.	-	10
		8/18 EVAP valve, 4-Cyl.	-	
		8/45 Vacuum valve variable intake manifold, 4-Cyl.	-	
		8/114 Valve mixing air/fuel, 4-Cyl.	-	
		7/17 Mass air flow sensor MAF, 4-Cyl. Turbo	-	
		8/18 EVAP valve, 4-Cyl. Turbo	-	
		8/19 Solenoid, variable valve timing, intake, 4-Cyl. Turbo	-	
		8/81 Solenoid, variable valve timing, exhaust, 4-Cyl. Turbo	-	
		8/77 Control valve, fuel volume, 4-Cyl. 2.0L Diesel	-	
		8/122 Bypass valve charge air cooler, 4-Cyl. 1.6L Diesel	-	
		8/133 Control valve, fuel pressure, 4-Cyl. 2.0L Diesel	-	
		8/3 Electromagnetic clutch climate control system, 5-Cyl. Turbo.	-	
		8/28 Turbocharger control valve, 5 & 6-Cyl. Turbo.	-	
		8/68 Relief valve, 6-Cyl. Turbo	-	
		8/81 Solenoid, variable valve timing, exhaust, 5-Cyl. Turbo.	-	
		8/117 Solenoid, variable valve timing, intake, 5-Cyl. Turbo.	-	
		6/143 Control motor, turbo, 5-Cyl. Diesel, 1T	-	
		7/35 Oil level sensor, 5-Cyl. Diesel	-	
		8/3 Electromagnetic clutch, climate control system, 5-Cyl. Diesel	-	
		8/113 Bypass valve, EGR cooling, 5-Cyl. Diesel	-	
8/120 EGR valve, 5-Cyl. Diesel	-			
8/157 Turbocharger control valve, Diesel, 2T	-			
continues				

Fuses

Distribution box in engine compartment F38-F39



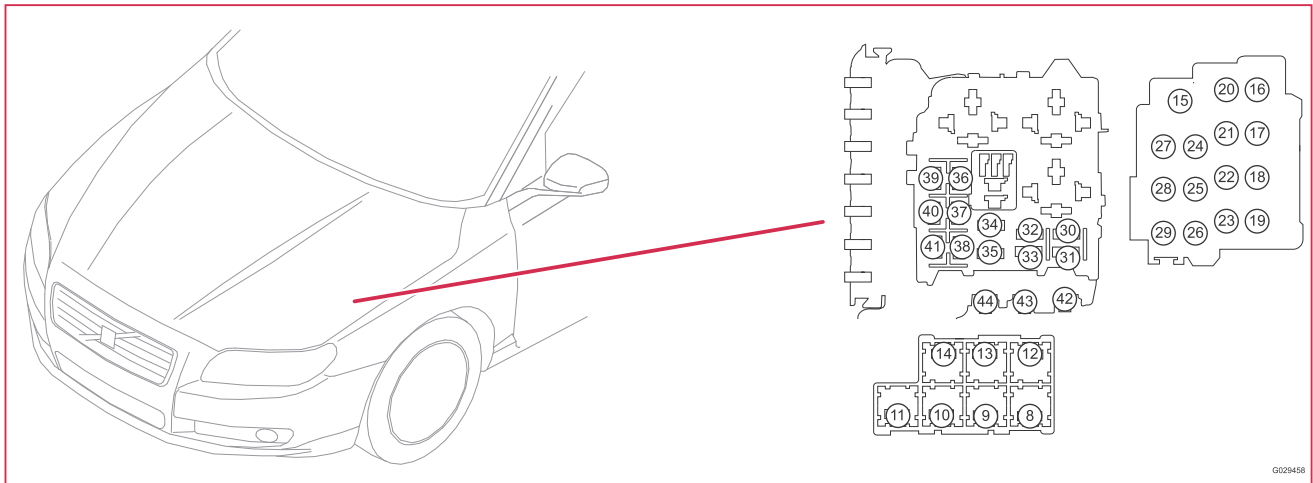
G029458

15/31 Distribution box in engine compartment

No.	No.	Fuse function	via	A	
F38	11B/38	4/46	Engine Control Module (ECM), 6-Cyl.	-	10
		6/139	Upper actuator motor, intake manifold, 6-Cyl. W/O T	-	
		6/140	Lower actuator motor, intake manifold, 6-Cyl. W/O T	-	
		8/3	Electromagnetic clutch climate control system, 6-Cyl.	-	
		8/117	Solenoid, variable valve timing, intake, 6-Cyl.	-	
		8/125	Solenoid cam profile front, 6-Cyl. W/O T	-	
		8/126	Solenoid cam profile rear, 6-Cyl. W/O T	-	
		4/46	Engine Control Module (ECM), 8-Cyl.	-	
		8/3	Electromagnetic clutch climate control system, 8-Cyl.	-	
		8/19	Solenoid, variable valve timing, intake, bank 2, 8-Cyl.	-	
F39	11B/39	7/15	Front heated oxygen sensor, 4-Cyl.	-	10
		7/82	Rear heated oxygen sensor, 4-Cyl. Turbo	-	
		7/15	Front heated oxygen sensor, 5-Cyl. Diesel	-	
		7/15	Front heated oxygen sensor, 5-Cyl. Turbo.	-	15
		7/103	Rear heated oxygen sensor, 5-Cyl. Turbo.	-	
		8/18	EVAP valve, 5-Cyl. Turbo.	-	
		continues			

Fuses

Distribution box in engine compartment F39-F44

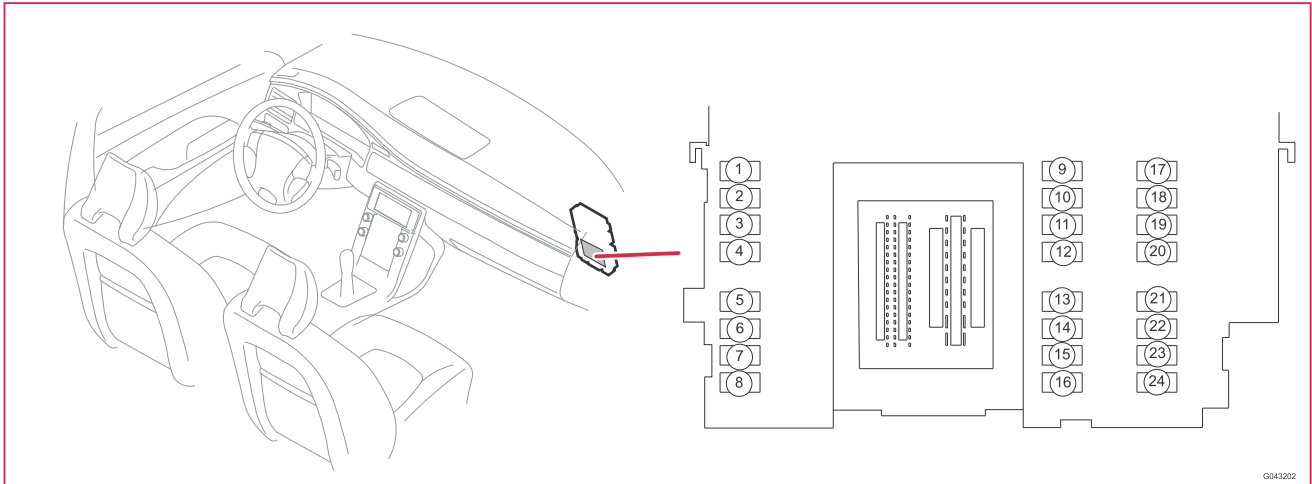


15/31 Distribution box in engine compartment

No.	No.	Fuse function	via	A	
F39	11B/39	7/15	Front oxygen sensor, bank 1, 6-Cyl.	-	15
		7/82	Rear oxygen sensor, bank 1, 6-Cyl.	-	
		7/103	Front heated oxygen sensor bank 2, 6-Cyl. W/O T	-	
		7/104	Rear heated oxygen sensor bank 2, 6-Cyl. W/O T	-	
		8/18	EVAP valve, 6-Cyl.	-	
	11B/40	7/15	Front oxygen sensor, bank 2, 8-Cyl.	-	
		7/82	Front oxygen sensor, bank 1, 8-Cyl.	-	
		7/103	Rear oxygen sensor, bank 2, 8-Cyl.	-	
		7/104	Rear oxygen sensor, bank 1, 8-Cyl.	-	
		8/18	EVAP valve, 8-Cyl.	-	
F40	11B/40	2/133	Relay vacuum pump	-	20
		2/142	Relay pre-heater fuel filter, 5-Cyl. Diesel	-	
		2/239	Relay, coolant pump, 8-Cyl.	-	
		6/114	Vacuum pump, 4-Cyl. Turbo & 5-Cyl. Turbo	2/142	
		9/32	PTC resistor crankcase ventilation, 5-Cyl. Turbo	-	
	9/38	Heated fuel filter, 4-Cyl. 1.6 Diesel & 5-Cyl. Diesel	-		
6/73	Coolant pump, 8-Cyl.	2/239	10		
F41	11B/41	6/67	Fuel leakage control pump, 6- & 8-Cyl.	-	5
		7/200	Sensor, coolant temperature	-	
		9/32	PTC-resistor, crankcase ventilation 5 Cyl. Diesel	-	
F42	11A/42	20/22-26	Glow plug, 5-Cyl.	4/109	70
		4/46	Engine control module (ECM), 4-Cyl. Diesel	2/14	60
		20/22-25	Glow plug, 4-Cyl.	2/14	
F43	11A/43	4/71	Control module, cooling fan, 5-Cyl. Diesel, 6-Cyl., 8-Cyl.	-	80
		4/71	Control module, cooling fan, 4-Cyl., 5-Cyl.	-	60
F44	11A/44	6/164	Electrical power steering module (EPS), 4-Cyl. 1,6L Diesel	-	80

Fuses

Central electronic module (CEM) F1-F3



4/56 Central Electronic Module (CEM)

No.	Fuse function	via	A
F1	2/16 Relay, rear window wiper	-	15
	6/32 Rear window wiper motor	2/16	
F3	3/27 Switch unit, power passenger seat	-	7.5
	3/176 Power window switches, driver's door	-	
	3/291 Tailgate closing switch, V70	-	
	4/52 Power Seat Module (PSM)	-	
	4/76 Remote control unit for garage door opener	-	
	10/25 Ceiling light, cargo compartment, V70	-	
	10/29 Glove compartment lighting	-	
	10/114 Left-hand vanity mirror lighting	-	
	10/115 Right-hand vanity mirror lighting	-	
	10/125 Left-hand front courtesy lighting	-	
	10/126 Right-hand front courtesy lighting	-	
	10/127 Lighting, cargo compartment, left-hand side, S80	-	
	10/128 Lighting, cargo compartment, right-hand side, S80	-	
	10/150 Rear reading light	-	
	10/249 Sill lighting, front driver's side, S80	-	
	10/250 Sill lighting, front passenger side, S80	-	
	10/251 Sill lighting, rear driver's side, S80	-	
10/252 Sill lighting, rear passenger side, S80	-		
17/45 Alcolock outlet	-		
26/6 Converter/control module, sill moldings, driver's side	-		
26/7 Converter/control module, sill moldings, passenger side	-		
26/8 Alcolock charging cradle	-		
continues			