

VOLVO

for life

VOLVO
WIRING DIAGRAM S80 (07-)

TP 39100202

2007

Vehicles with SRS (Airbag)/SIPS bag/ IC (Inflatable curtain)

Warning!

Extra caution must be exercised when working on vehicles equipped with SRS/SIPS bag/IC in order to avoid:

1. Personal injuries when performing repair work.
2. Damage or malfunction of the SRS/SIPS bag/IC system.

Work involving the SRS/SIPS bag/IC systems or other components in the vehicle that may affect the SRS/SIPS bag/IC systems must always be performed by an authorized Volvo workshop.

In case of doubt, consult the SRS and SIPS bag/IC service manual.

Is the vehicle equipped with SRS/SIPS bag/IC?

Vehicles with SRS are most easily recognized by the letters SRS in the center of the steering wheel. If the vehicle also has a passenger side airbag, the letters SRS are stamped on the dashboard above the glove compartment. SRS vehicles from 1993 and onward also have explosive

seat belt tensioners. SIPS bags are only installed on SRS vehicles from 1995 and onward. SIPS bag decals are located on the windshield and seat compartment. Vehicles with IC can be recognized by the letters IC on the C/D panel (4 door) or the B panel (5 door).

General recommendations

- Be especially careful when working on or around SRS, SIPS, and IC components.
- Make sure that no wires are pinched, frayed, or pierced.
- Never fit accessories by the sensors.
- Where applicable, work on the steering wheel, steering shaft, or steering gear must be done in accordance with the methods in the SRS section of VIDA.
- Certain components of the aforementioned systems must be grounded while working. Read the appropriate sections in VIDA.
- Do not install any accessories in the areas between the A and B-posts, the B and C-posts, and the C and D-posts.

Test terminal

Fuse in cargo compartment auxiliary fuse box

Changes introduced up to April 2006

Any changes made to the vehicle after this date are not included in the manual. If necessary, refer to service bulletins.

Volvo models are sold in versions adapted for different markets. These adaptations depend on factors such as legal requirements, taxation, and market demands.

This manual may therefore include illustrations and text that do not apply to the vehicles in your country.

Order number TP 39100202

Replaces previous publication 39100201 at Electronic Wiring Diagram (EWD)
TP 39101001
Can also be found at Electronic Wiring Diagram (EWD) TP 39102001

Table of Contents 1:2

Vehicles with SRS (Airbag)/SIPS bag/ IC (Inflatable curtain)	2
Explanations	5
Abbreviations	5
How to use the wiring diagrams 1:2.....	6
Electrical distribution 1:2.....	8

Fuses

Engine compartment electrical center F1-F7.....	10
Engine compartment electrical center F9-F21.....	11
Engine compartment electrical center F22-F34.....	12
Engine compartment electrical center F35-F38.....	13
Engine compartment electrical center F39-F44.....	14
Central Electronic Module (CEM) F1-F15.....	15
Central Electronic Module (CEM) F17-F28.....	16
Rear electrical center FA1-FA11	17
Rear electrical center FB1-FB7	18
Rear electrical center FC2-FC7	19
Rear electrical center FD1-FD7	20
Battery PF1-PF2.....	21

Relays

Relays in the engine compartment R2.....	22
Relays in the engine compartment R8-R9.....	23
Relays in the engine compartment R10-R13.....	24
Rear electrical center RA1-RB2.....	25
Central Electronic Module (CEM)	26

Ground connections

Overview.....	27
31/1 - 31/7	28
31/10 - 31/15	29
31/47 - 31/68	30
31/83 - 31/89	31
31/90 - 31/100	32
31/XX4 - 31/AL	33

Control modules

Overview of locations.....	34
Overview of designations.....	35
Central Electronic Module (CEM) 1:3	36
High speed CAN data communication	39
Midspeed CAN data communication, LHD	40
Midspeed CAN data communication, RHD.....	41
LIN data communication 1:2	42
MOST data communication	44
Steering Wheel Module (SWM)	45

Group 23 Fuel system

Engine management system, 5 cyl. 2.5l turbo 1:2.....	46
Engine management system, 6 cyl. 1:2.....	48
Engine management system, 8 cyl. 1:2.....	50
Engine management system, 5 cyl. 2.4l diesel 1:3.....	52
Emission control, 5 cyl. 2.4l turbo	55
Emission control, 6 cyl.	56
Emission control, 8 cyl.	57

Group 26 Cooling system

Cooling fan, 5 cyl. - 6 cyl.....	58
Cooling fan, 5 cyl. 2.4l diesel	59
Cooling fan, 8 cyl.	60

Group 32 Generator and voltage regulator

Power supply	61
--------------------	----

Group 33 Starting system

Starting system	62
-----------------------	----

Group 35 Lighting

High and low beam	63
High and low beam (Bi-Xenon).....	64
Beam length adjustment, manual	65
Beam length adjustment, automatic (Bi-Xenon)	66
Active headlights.....	67
Running/parking lights, tail lights	68
Running/parking lights, Tail lights (Bi-Xenon)	69
Fog lights	70
Brake lights	71
Reversing lights	72
Lighting in sill moldings.....	73
Follow-me-home lighting, LHD.....	74
Follow-me-home lighting, RHD.....	75
Interior lighting, LHD 1:2	76
Interior lighting, RHD 1:2.....	78
Auxiliary lights.....	80

Group 36 Additional electrical equipment

Rain sensor.....	81
Direction indicators and hazard warning flashers, LHD	82
Direction indicators and hazard warning flashers, RHD	83
Windshield wiper/washer	84
High-pressure headlight washer	85
Horn	86
Anti-theft alarm	87
Keyless vehicle 1:2	88
Parking assistance.....	90
Collision warning with brake servo.....	91

Table of Contents 2:2

Group 37 Wiring and fuses

Diagnostics system.....	92
12V outlet	93
Tow hitch cable harness, 4-pin	94
Tow hitch cable harness, 7-pin	95
Tow hitch cable harness, 13-pin	96

Group 38 Instruments

Seat belt reminder	97
Driver information module.....	98

Group 39 Other

Audio Premium 1:3	99
Audio 1:2	102
Cellular phone 1:2	104
Bluetooth phone system	106
Multimedia & traffic information	107
Satellite radio.....	108

Group 43 Transmission

M66 transmission.....	109
Automatic transmission TF-80SC AWD.....	110
Differential Electronic Module (DEM).....	111

Group 55 Parking brake

Electronic parking brake	112
--------------------------------	-----

Group 59 Brake system

Brake control system & DSTC	113
-----------------------------------	-----

Group 64 Steering

Electronic power steering	114
---------------------------------	-----

Group 76 Shock absorbers

Four-C	115
--------------	-----

Group 83 Doors and openings

Central locking, front doors, LHD.....	116
Central locking, front doors, RHD.....	117
Central locking, rear doors.....	118
Central locking, trunk lid	119
Central locking, fuel filler flap.....	120
Signal receiver, central locking	121
Front door power windows, LHD	122
Front door power windows, RHD.....	123
Rear door power windows	124
Power sunroof.....	125

Group 84 Exterior decorative elements etc.

Power door mirrors, LHD	126
Heated door mirrors, LHD.....	127
Heated door mirrors with camera function, LHD.....	128
Power door mirrors, RHD	129
Heated door mirrors, RHD.....	130

Heated door mirrors with camera function, RHD	131
Rear window defroster.....	132

Group 85 Interior equipment

Power driver's seat with memory function, LHD	133
Power driver's seat with memory function, RHD	134
Power passenger seat, LHD	135
Power passenger seat, RHD	136
Heated front seats with fans	137
Heated front seats without fans	138
Heated rear seats	139

Group 87 Climate control system

Climate control system, 5, 6 & 8 cyl. 1:2.....	140
Climate control system, 5 cyl. 2.4l diesel 1:2	142
Climate control system PTC element	144
Parking heater, auxiliary heater	145

Group 88 Internal equipment

Supplemental Restraint System (SRS) 1:2.....	146
Electrically adjustable head restraint	148
Automatic anti-dazzle rearview mirror	149

Connectors..... 150

Branching points176

Cable harness routing in vehicle

Engine harness, 5 cyl.	191
Engine harness, 6 cyl.	191
Engine harness, 8 cyl.	192
Engine harness, diesel	192
Engine compartment harness	193
Dashboard harness, LHD	194
Dashboard harness, RHD.....	195
Floor harness, LHD.....	196
Floor harness, RHD	197
Infotainment harness, LHD	198
Infotainment harness, RHD.....	199
Center console harness	200
Roof harness	200
Tunnel harness	201
Left front door harness.....	202
Right front door harness	202
Left rear door harness	203
Right rear door harness	203
Trunk lid harness	204
Rear axle harnesses	204

Component illustrations205

Index 1:2256

List of components 1:6258

Explanations

Abbreviations

Groups

Group 23	= Fuel system
Group 26	= Cooling system
Group 27	= Engine controls
Group 32	= Generator and voltage regulator
Group 33	= Starting system
Group 35	= Lighting
Group 36	= Additional electrical equipment
Group 37	= Wiring and fuses
Group 38	= Instruments
Group 39	= Other
Group 43	= Transmission
Group 59	= Brake system
Group 64	= Steering
Group 83	= Doors and openings
Group 84	= Exterior decorative elements etc.
Group 85	= Interior equipment
Group 87	= Climate control system
Group 88	= Internal equipment

Ignition switch symbols

X	= Accessories (audio position)
S	= Powered upon insertion of key
15	= Contact remains connected during start
15I	= Contact is broken while starting
30	= Constant power from the battery
50	= Start

Countries/Markets

A	= Austria
AUS	= Australia
B	= Belgium
CDN	= Canada
CH	= Switzerland
D	= Germany
DK	= Denmark
E	= Spain
EU/OS	= Markets outside USA and Canada
FIN	= Finland
GB	= Great Britain
ISR	= Israel
J	= Japan
KOR	= Korea
N	= Norway
NL	= Netherlands
S	= Sweden
USA	= United States of America
WEU	= Western Europe

Other

AUTO	= Automatic transmission
CAN	= CAN communication
DPY	= Display
ECC	= Electronic climate control system
ETA	= Electronic throttle actuator
EXT. X	= Extended X-feed
GDL	= Gas discharge lamp
HISPEED	= High speed data bus
IR	= Infrared sensor
LIN	= LIN communication
LH	= Left-hand side
LHD	= Left-hand drive
MAN	= Manual transmission
MEMORY	= Memory driver's seat
MIDSPEED	= Midspeed data bus
MMS	= Mass movement sensor
PETROL	= Gasoline
RH	= Right-hand side
RHD	= Right-hand drive
SCR	= Screening
SRS	= Airbag
T	= Turbo engine
W/O	= Without
2WD	= Two wheel drive
5CYL, I5	= 5-cylinder engine
6CYL, I6	= 6-cylinder engine
8 CYL, V8	= 8-cylinder engine

Colors

BK, SB	= Black
BN	= Brown
BU, BL	= Blue
GN	= Green
GY, GR	= Gray
LGN	= Light Green
NL	= Natural
OG, OR	= Orange
PK, P	= Pink
RD, R	= Red
VT, VO	= Violet
WH, W	= White
YE, Y	= Yellow

How to use the wiring diagrams 1:2

The descriptions below apply in general to all wiring diagram manuals, although not all sections are necessarily contained in this manual.

A. Component designation

Every component has a component designation that consists of two parts.

The first part is a type number that describes the type of component in question, for example 3/xx.

The second part of the designation is a serial number, for example x/2.

Combined these give a component designation, for example 3/2.

At the end of the manual is a list of components, where, with the help of the component designation, you can read off the name of the component, for example, 3/2 = light switch.

List of type numbers

The list shows which type of component that respective type numbers refer to, for example, 3/x = switch, 6/x = electric motor, etc.

1	Battery
2	Relay
3	Switch
4	Control module
5	Driver Information Module
6	Electric motor
7	Sensor
8	Actuator
9	Heating element
10	Light
11	Fuse
15	Electrical distribution rail/box
16	Audio
17	Service/diagnostics
18	Contact reel
19	Meter
20	Ignition component/shunt
27	Optics
31	Ground connection
73	Branching point
74	Connector

B. Branching points

The wiring diagrams contain numbered branching points, for example 74/5035.

This manual contains a section with a list of branching points. This list shows all the components which are connected to each branching point.

The location of the branching points is shown in the "Cable harness routing in vehicle" section.

C. Connectors

Connectors provide a bridge between two cable harnesses and are described in the "Connectors" section.

D. Electrical distribution

Operation of the fuses and relays is shown in the "Electrical distribution" section.

E. Data communication

Today's cars contain CAN, LIN and MOST networks that transfer information. Connections to these networks are not shown in their entirety in the respective wiring diagram. Complete information on CAN, LIN and MOST communication is found in the section "Control modules".

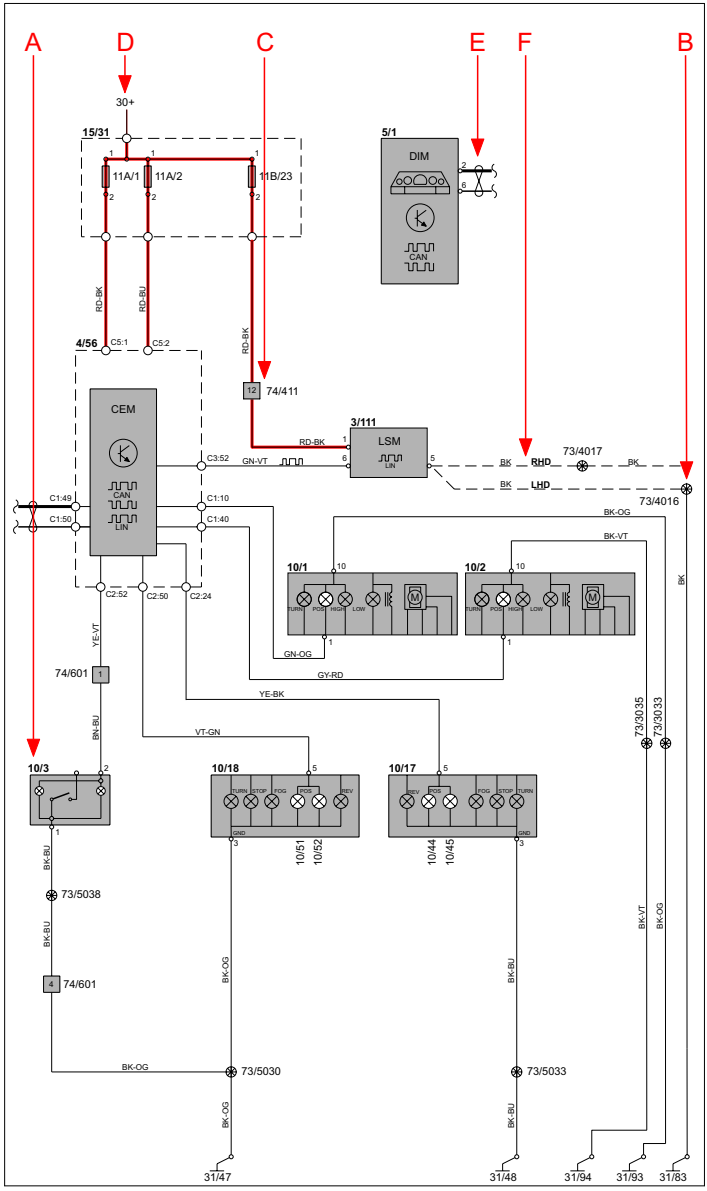
F. Abbreviations

A number of different abbreviations are used in the manual. These are explained in the section "Abbreviations".

G. Component location

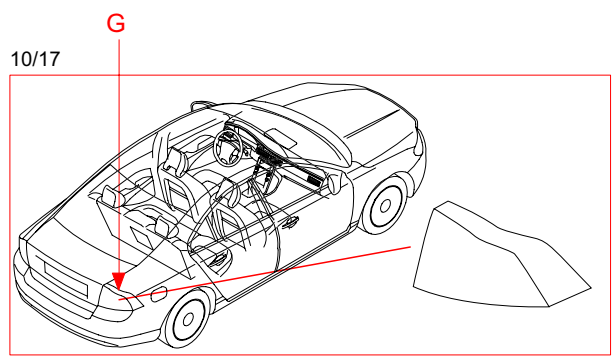
The end of the manual contains a section that describes component appearance and location in numerical order.

How to use the wiring diagrams 2:2



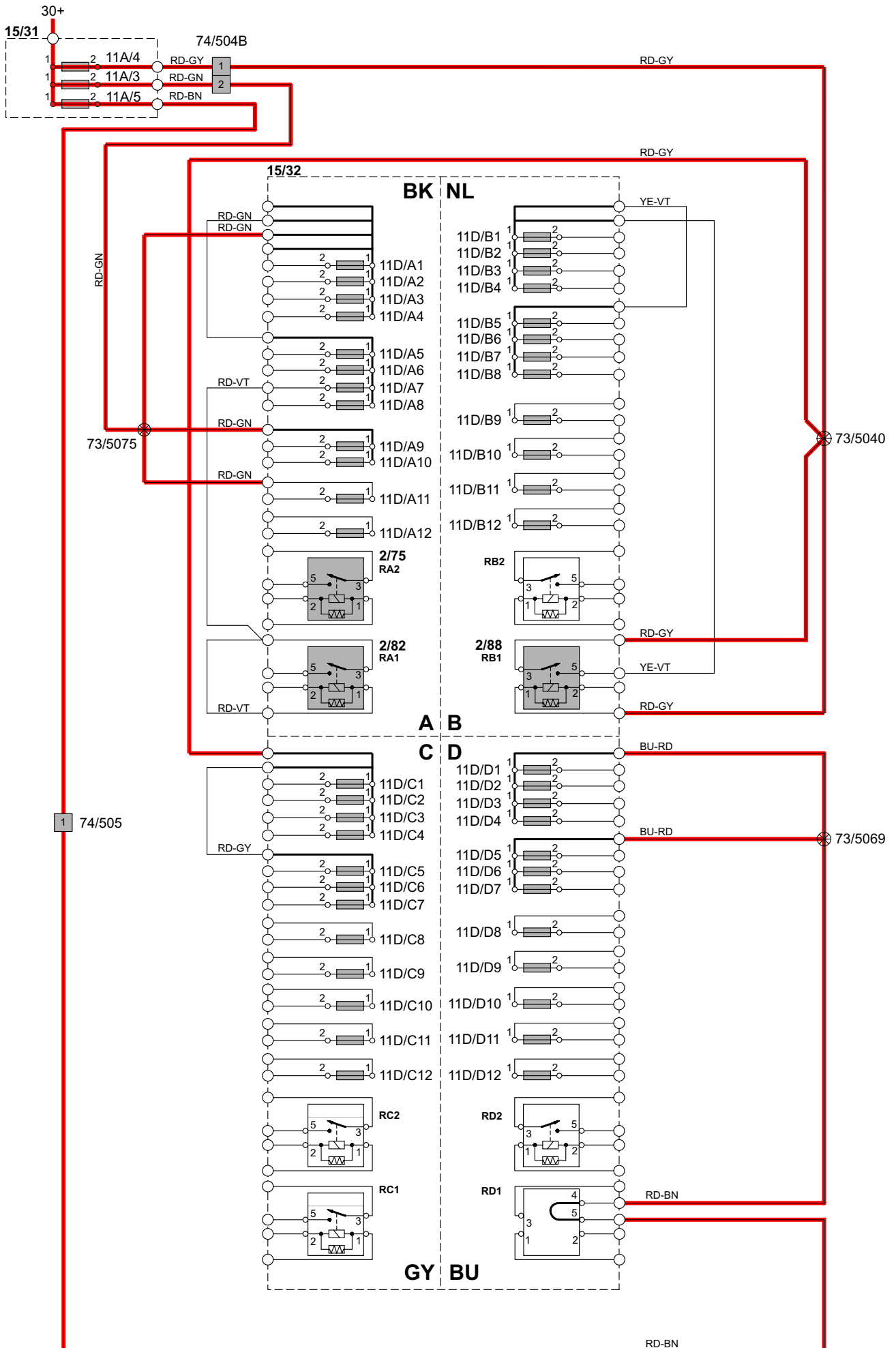
List of symbols

- = System voltage
- = Ground connection via cable
- = Ground connection in component/chassis
- = Screened wire
- = Branching point
- = Twisted cable
- = Electrical connection
- = Variant
- = CAN communication
- = CAN high data signal (CAN H)
- = CAN low data signal (CAN L)
- = LIN communication
- = LIN communication
- = DIN cable, coaxial cable, etc.
- = Data communication
- = CAN communication
- = MOST communication
- = MOST communication
- = Connection with distribution box
- = Further connection to...
- = Connector between cable harnesses
- = Connector connected in component



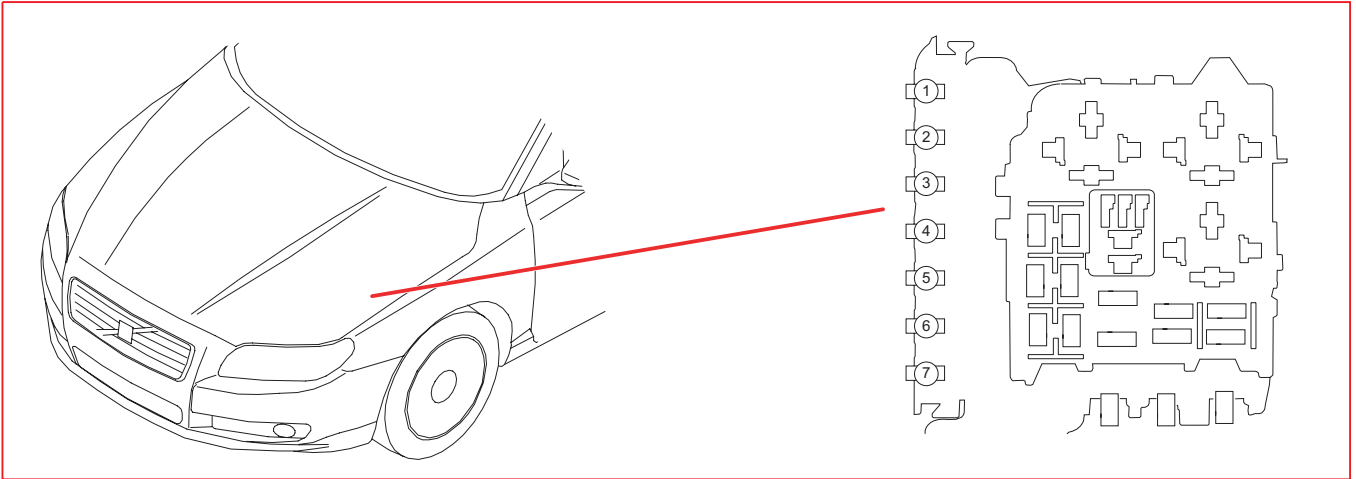
Electrical distribution 2:2

Overview, rear electrical center



Fuses

Engine compartment electrical center F1-F7

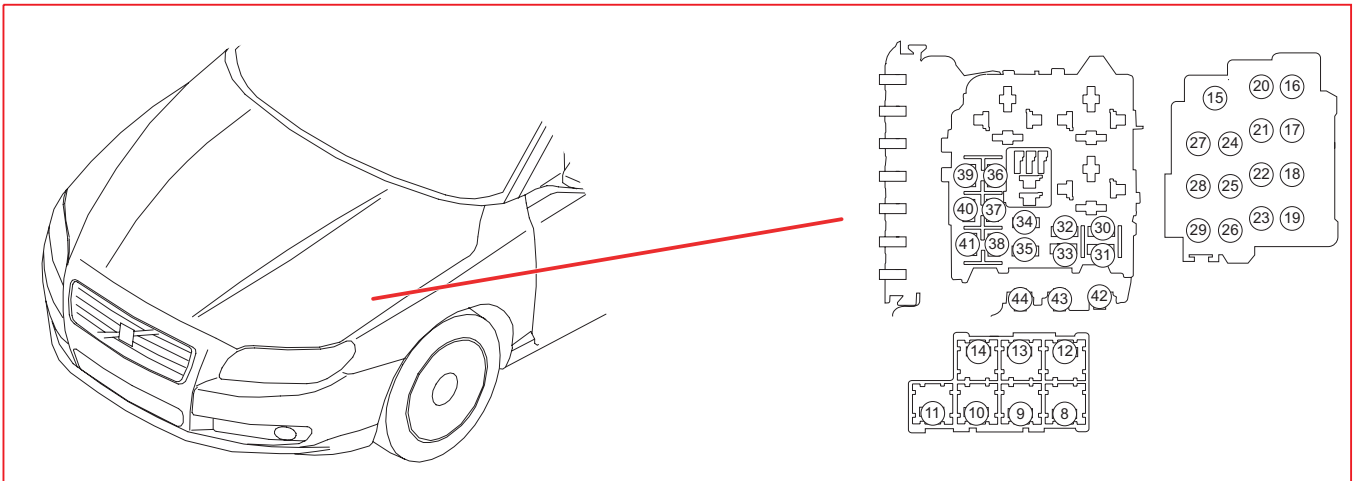


15/31 Engine compartment electrical center

No.	No.	Fuse function	via	A
F1	11A/1	Main fuse for fuses in CEM	4/56	60
F2	11A/2	Main fuse for fuses in CEM	4/56	60
F3	11A/3	11D/A1-11D/A11 Fuses in cargo compartment 15/32	-	60
F4	11A/4	11D/B1-11D/B8 Fuses in cargo compartment 15/32 11D/C1-11D/C7 Fuses in cargo compartment 15/32	-	60
F5	11A/5	11D/D1-11D/D7 Fuses in cargo compartment 15/32	-	50
F7	11A/7	9/42 PTC element	-	100
continues				

Fuses

Engine compartment electrical center F9-F21

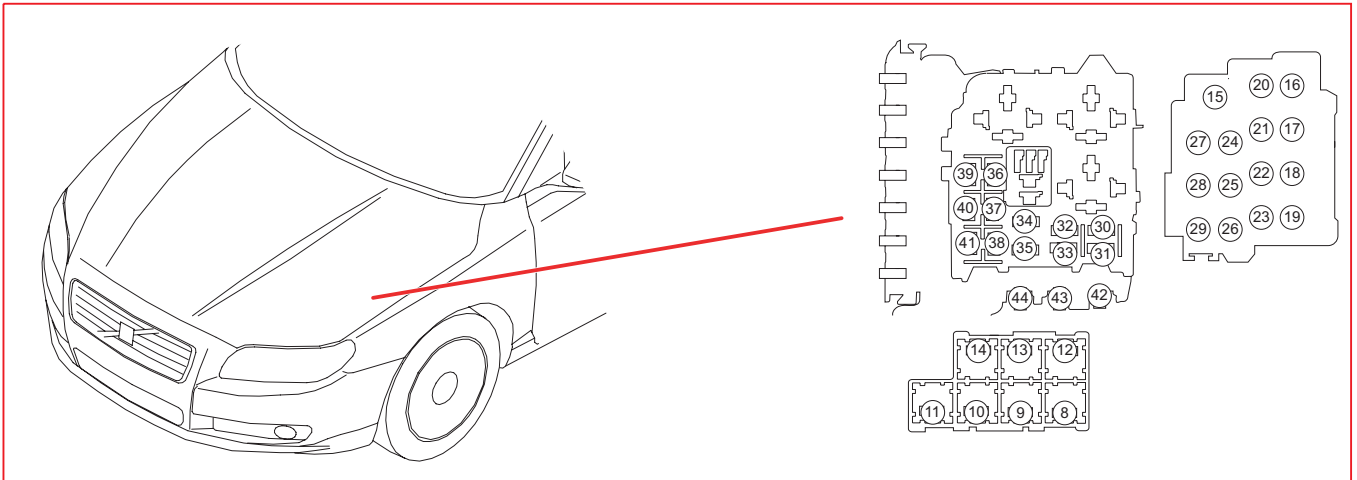


15/31 Engine compartment electrical center

No.	No.	Fuse function	via	A
F9	11B/9	6/1 Wiper Motor Module (WMM)	-	30
F11	11B/11	4/31 Fan control module 6/28 Motor, passenger compartment fan	- -	40
F13	11B/13	4/16 Brake Control Module (BCM)	-	30
F14	11B/14	4/16 Brake Control Module (BCM)	-	20
F16	11B/16	4/118 Headlamp Control Module (HCM) 10/1 Left-hand front lamp housing 10/2 Right-hand front lamp housing	- - -	10
F17	11B/17	F3-F4 Fuses in the Central Electronic Module (CEM)	-	20
F18	11B/18	4/80 Forward Sensing Module (FSM) 7/203 Forward-aimed radar (FLR)	- -	5
F19	11B/19	4/99 Electronic power steering control module	-	5
F20	11B/20	4/28 Transmission Control Module (TCM) 4/46 Engine Control Module (ECM) 4/9 Supplemental Restraint System (SRS)	- - -	10
F21	11B/21	9/43 Heated windshield washer nozzle, left 9/44 Heated windshield washer nozzle, right	- -	10
continues				

Fuses

Engine compartment electrical center F22-F34

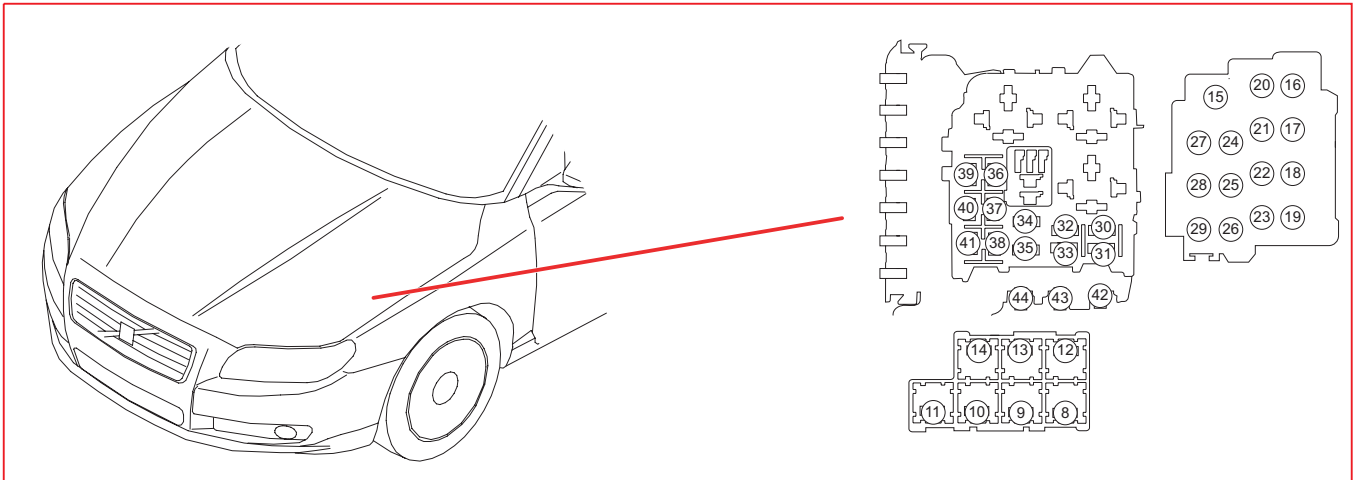


15/31 Engine compartment electrical center

No.	No.	Fuse function	via	A
F22	11B/22	4/7 Combustion Preheater Module (CPM) 6/114 Vacuum pump, 5 cyl. T.	- 8/84	20
F23	11B/23	3/111 Light Switch Module (LSM)	-	5
F24	11B/24	6/104 High pressure headlight washer motor	-	15
F25	11B/25	9/1 Front 12V outlet 9/25 Rear 12V outlet	- -	15
F26	11B/26	3/117 Switch unit, dome light 4/33 Sunroof module 6/48 Damper Motor Module (DMM), recirculation 6/95 Damper Motor Module (DMM), temperature, left side 6/96 Damper Motor Module (DMM), temperature, right side 6/102 Damper Motor Module (DMM), defroster 6/103 Damper Motor Module (DMM), floor/ventilation 7/159 Air Quality Sensor (AQS)	- - 3/112 3/112 3/112 3/112 3/112 3/112	10
F27	11B/27	2/31 Relay, 15-feed 2/193 Relay, comfort functions	- -	5
F28	11B/28	10/65 Auxiliary light, front right 10/69 Auxiliary light, front left	- -	20
F29	11B/29	2/17 Relay, horn 16/10 Horn 1 16/11 Horn 2	- 2/17 2/17	15
F30	11B/30	2/32 Main relay, engine management system 4/46 Engine Control Module (ECM), not 2.4l diesel	- -	10
F31	11B/31	4/28 Transmission Control Module (TCM)	-	15
F32	11B/32	8/3 Electromagnetic clutch, climate control system	2/22	15
F33	11B/33	2/22 Relay, climate control system 2/239 Relay, coolant pump, 8 cyl.	- -	5
F34	11B/34	6/25 Starter motor	2/35	30
continues				

Fuses

Engine compartment electrical center F35-F38



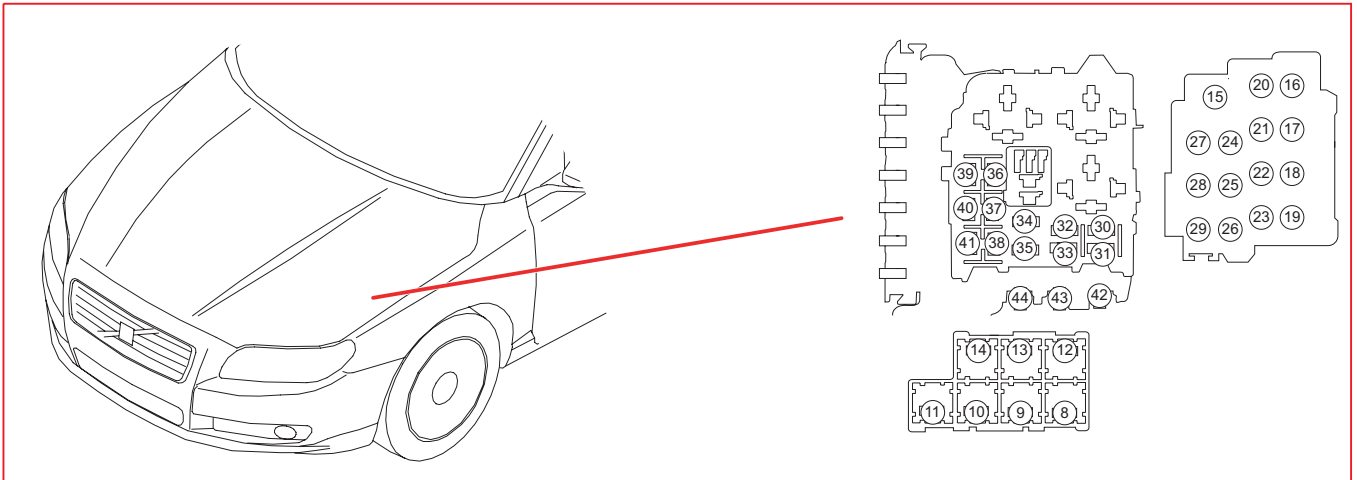
15/31 Engine compartment electrical center

No.	No.	Fuse function	via	A
F35	11B/35	20/3-8 Spark plug and ignition coil, gasoline	-	20
		20/22-26 Glow plug, diesel	4/109	10
F36	11B/36	6/120 Throttle body motor	4/46	10
		4/46 Engine Control Module (ECM), 5 cyl. 2.4l diesel	-	15
		6/118 Regulator motor, swirl throttle, 5 cyl. 2.4l diesel	4/46	
		6/120 Motor, throttle body, 5 cyl. 2.4l diesel	4/46	
		8/111 High pressure solenoid valve, 5 cyl. 2.4l diesel	4/46	
		8/98 Control valve, fuel pressure, 5 cyl. 2.4l diesel	4/46	
F37	11B/37	8/6-11 Injectors	-	15
		8/115 Injector	-	
		8/116 Injector	-	
		7/17 Mass air flow sensor (MAF)	-	
F38	11B/38	8/28 Turbocharger control valve, 5 cyl. 2.5l turbo	-	10
		8/81 Solenoid, variable valve timing, exhaust, 5 cyl. 2.5l turbo	-	
		8/117 Solenoid, variable valve timing, intake, 5 cyl. 2.5l turbo	-	
		6/143 Regulator motor, turbo, 5 cyl. 2.4l diesel	-	
		8/113 Bypass valve, EGR cooling, 5 cyl. 2.4l diesel	-	
		8/120 EGR valve, 5 cyl. 2.4l diesel	-	
		4/46 Engine Control Module (ECM), 6 cyl.	-	
		6/139 Upper actuating motor, intake manifold, 6 cyl.	-	
		6/140 Lower actuating motor, intake manifold, 6 cyl.	-	
		8/117 Solenoid, variable valve timing, intake, 6 cyl.	-	
		8/125 Variable valve lifter, front plane, 6 cyl.	-	
		8/126 Variable valve lifter, rear plane, 6 cyl.	-	
		4/46 Engine Control Module (ECM), 8 cyl.	-	
		8/19 Solenoid, variable valve timing, intake, 8 cyl.	-	
8/81 Solenoid, variable valve timing, exhaust, 8 cyl.	-			
8/117 Solenoid, variable valve timing, intake, bank 1, 8 cyl.	-			
8/118 Solenoid, variable valve timing, exhaust, bank 1, 8 cyl.	-			

continues

Fuses

Engine compartment electrical center F39-F44

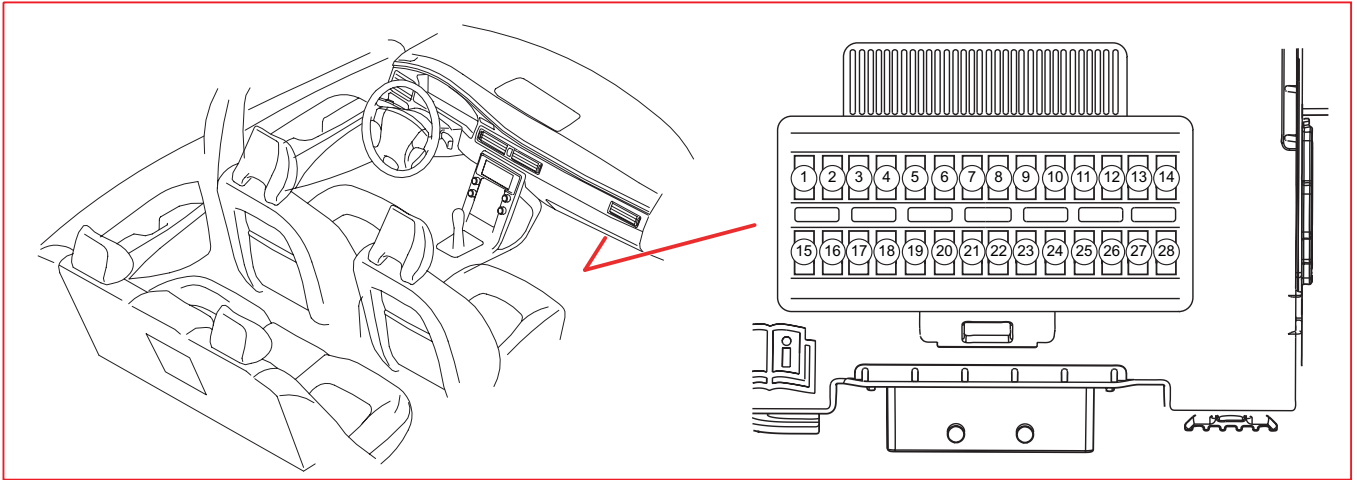


15/31 Engine compartment electrical center

No.	No.	Fuse function	via	A		
F39	11B/39	7/15 Heated oxygen sensor, 5 cyl. 2.5l turbo	-	15		
		7/103 Heated oxygen sensor 3, 5 cyl. 2.5l turbo	-			
		8/18 EVAP valve, 5 cyl. 2.5l turbo	-			
		7/15 Heated oxygen sensor, front right, 6 cyl.	-			
		7/82 Heated oxygen sensor, rear right, 6 cyl.	-			
		7/103 Heated oxygen sensor, front left, 6 cyl.	-			
		7/104 Heated oxygen sensor, rear left, 6 cyl.	-			
		8/18 EVAP valve, 6 cyl.	-			
		7/15 Front oxygen sensor, bank 2, 8 cyl.	-			
		7/82 Front oxygen sensor, bank 1, 8 cyl.	-			
F40	11B/40	9/32 PTC resistor, crankcase ventilation, 5 cyl. 2.5l turbo	-	20		
		9/32 PTC resistor, crankcase ventilation, 5 cyl. 2.4l diesel	-			
		9/32B PTC resistor, crankcase ventilation, 5 cyl. 2.4l diesel	-			
		9/38 Heated fuel filter, 5 cyl. 2.4l diesel	-			
		6/73 Coolant pump, 8 cyl.	2/239	10		
		F41	11B/41	6/67 Pump, fuel leakage control, not 2.4l diesel	-	5
		F42	11A/42	20/22-26 Glow plug	4/109	70
		F43	11A/43	4/121 Coolant fan control module, not 2.5l turbo, auto	-	50
F44	11A/44	4/71 Cooling fan control module	-	60		

Fuses

Central Electronic Module (CEM) F1-F15

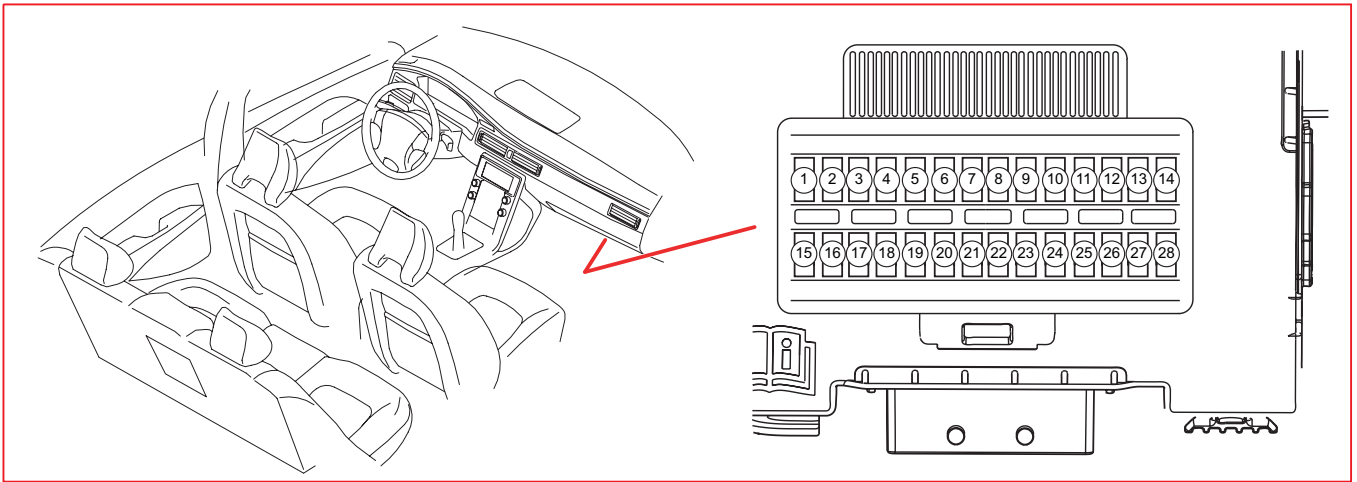


4/56 Central Electronic Module (CEM)

No.	Fuse function	via	A
F1	7/149 Rain Sensor Module (RSM)	4/56	5
F2	4/9 Supplemental Restraint System (SRS) 7/93 Occupant Weight Sensor (OWS)	- -	10
F3	4/16 Brake Control Module (BCM) 4/115 Parking Brake Module (PBM)	- -	5
F4	3/65 Switch, heated rear seat 7/51 Accelerator pedal sensor 8/48 Automatic anti-dazzle rearview mirror 9/42 PTC element	- - - -	7.5
F6	3/281 Infotainment Control Module (ICM) 16/1 Integrated Audio Module (IAM)	- -	15
F7	3/4 Steering wheel switch left (SWSL) 3/131 Steering wheel switch right (SWSR) 3/135 RTI switch	- 3/130 -	7.5
F9	10/1 Left-hand front lamp housing 10/2 Right-hand front lamp housing	K2 K2	15
F10	4/33 Sunroof Module (SRM)	-	20
F11	10/48 Right-hand reversing light 10/55 Left-hand reversing light	K3 K3	7.5
F13	10/46 Fog light, right rear 10/53 Fog light, left rear	K1 K1	15
F14	6/127 Washer motor	K5A, K5B	15
F15	4/80 Forward Sensing Module (FSM)	-	10
continues			

Fuses

Central Electronic Module (CEM) F17-F28

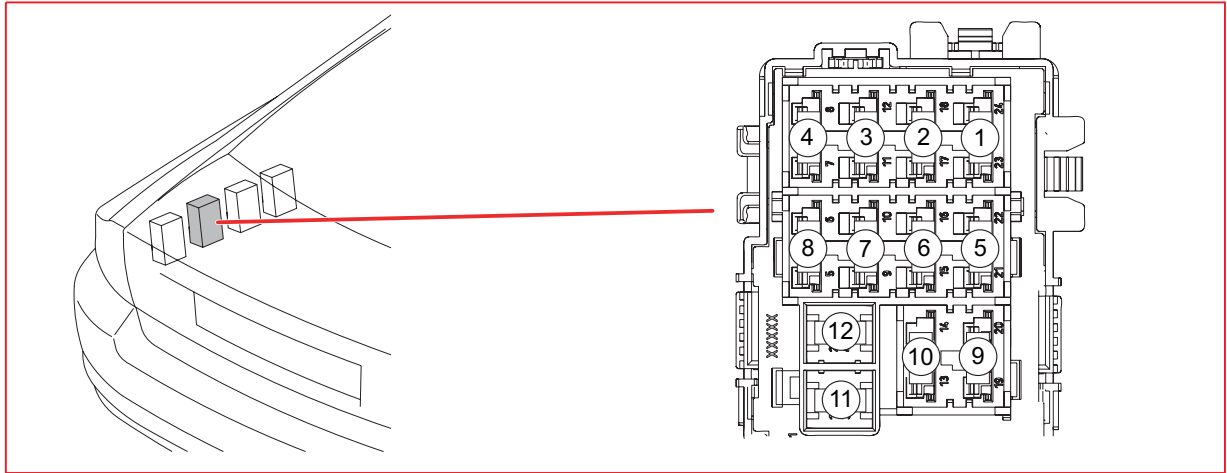


4/56 Central Electronic Module (CEM)

No.	Fuse function	via	A	
F17	3/176	Switch, driver's door power window	-	7.5
	9/13	Seat Heating Module (SHM), right	-	
	10/114	Left-hand vanity mirror lighting	-	
	10/115	Right-hand vanity mirror lighting	-	
	10/125	Left-hand front courtesy lighting	-	
	10/126	Right-hand front courtesy lighting	-	
	10/127	Lighting, cargo compartment, left-hand side	-	
	10/128	Lighting, cargo compartment, right-hand side	-	
	10/129	Front left running/parking light	-	
	10/150	Rear reading light	-	
	26/6	Converter/control module, sill moldings, driver's side	-	
	26/7	Converter/control module, sill moldings, passenger side	-	
F18	5/1	Driver Information Module (DIM)	-	5
F19	9/12	Seat Heating Module (SHM), left	-	5
F20	8/59	Rear left head restraint solenoid	2/75	15
	8/60	Rear right head restraint solenoid	2/75	
F21	7/214	Heartbeat sensor	-	5
F22	6/33	Fuel pump	K8, 4/83	20
F23	4/102	Steering Column Lock module (SCL)	K9	20
F25	K6-B	Relay, soldered	-	10
	K12	Relay, soldered	-	
	6/8	Central locking motor, trunk lid	K6-B	
	6/37	Lock motor, fuel filler cover	K12	
F26	4/6	Climate Control Module (CCM)	-	5
	16/35	Siren Control Module (SCM)	-	
	17/13	Data link connector	-	
F27	3/132	Start Control Unit (SCU)	-	5
F28	4/93	Keyless Vehicle Module (KVM)	3/9	5
	10/19	Auxiliary brake light	3/9, 4/56	
	10/43	Right brake light	3/9, 4/56	
	10/50	Left brake light	3/9, 4/56	

Fuses

Rear electrical center FA1-FA11

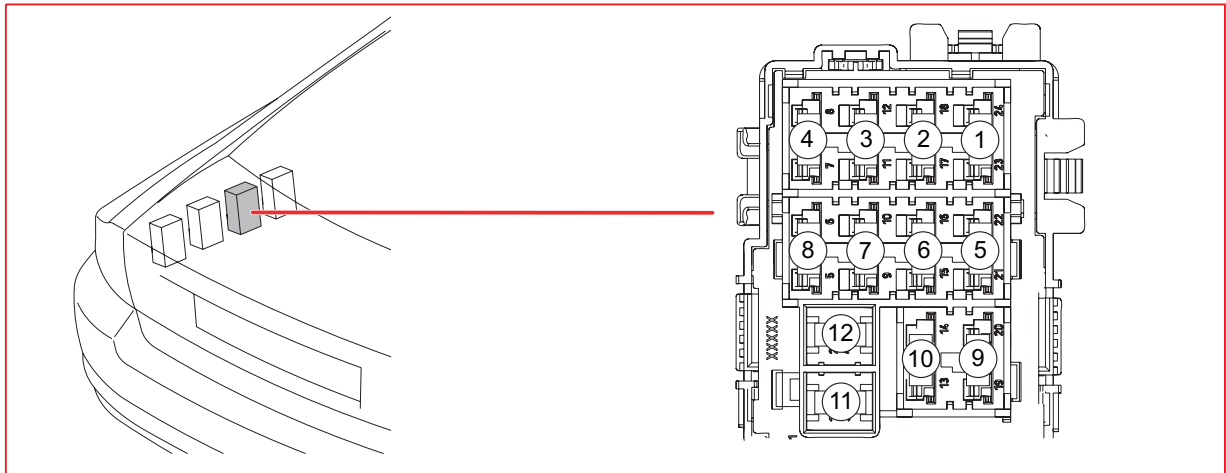


15/32 Rear electrical center

No.	No.	Fuse function	via	A
FA1	11D/A1	3/126 Driver's Door Module (DDM)	-	25
FA2	11D/A2	3/127 Passenger Door Module (PDM)	-	25
FA3	11D/A3	3/128 Left rear Door Module (LDM)	-	25
FA4	11D/A4	3/129 Right rear Door Module (RDM)	-	25
FA6	11D/A6	17/19 12V outlet, cargo compartment	-	15
FA7	11D/A7	2/82 Relay, rear window defroster 9/2 Rear window defroster	- 2/82	30 -
FA9	11D/A9	17/39 13-pin outlet, tow hitch cable harness	-	15
FA11	11D/A11	4/110 Trailer Module (TRM), Accessory	-	40

Fuses

Rear electrical center FB1-FB7

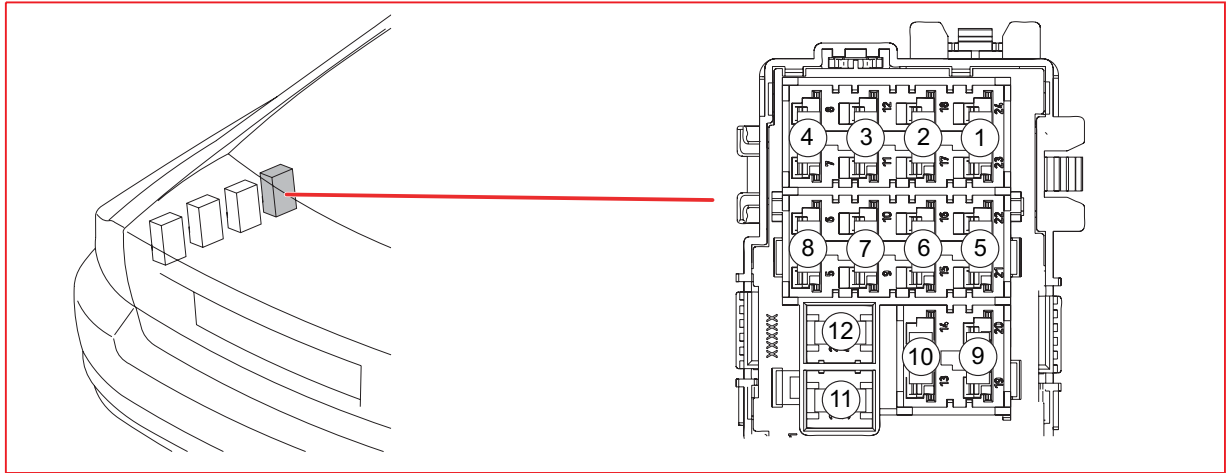


15/32 Rear electrical center

No.	No.	Fuse function	via	A
FB1	11D/B1	4/86 Parking Assistance Module (PAM) 4/110 Trailer Module (TRM)	-	5
FB2	11D/B2	4/84 Suspension Module (SUM)	-	15
FB3	11D/B3	9/12 Seat Heating Module (SHM), left	-	15
FB4	11D/B4	9/13 Seat Heating Module (SHM), right	-	15
FB5	11D/B5	9/15 Control module, rear right seat heater	-	15
FB6	11D/B6	4/82 Differential Electronic Module (DEM)	-	10
FB7	11D/B7	9/14 Control module, rear left seat heater	-	15

Fuses

Rear electrical center FC2-FC7

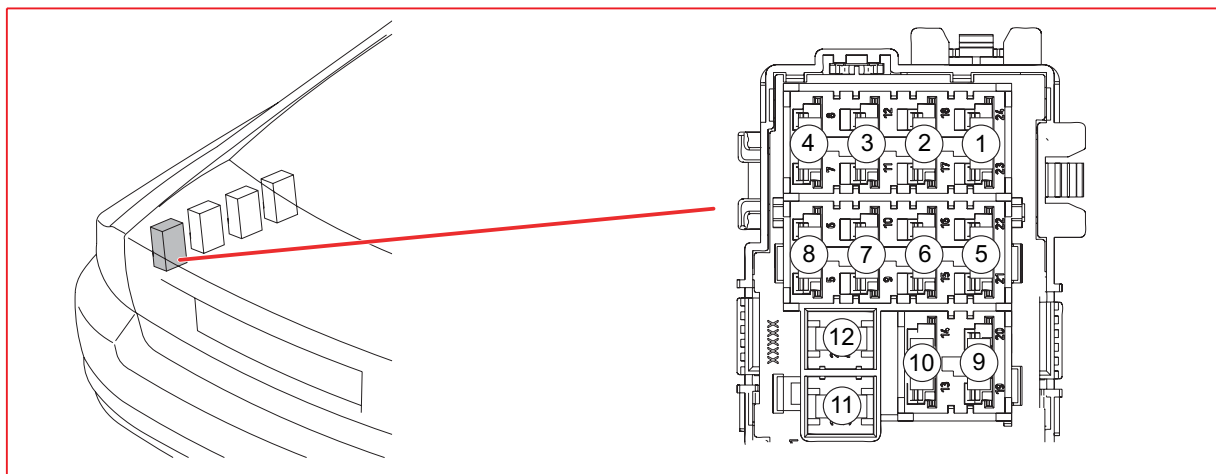


15/32 Rear electrical center

No.	No.	Fuse function	via	A
FC2	11D/C2	6/146 Lock motor, rear left brake disc	4/115	30
FC3	11D/C3	6/147 Lock motor, rear right brake disc	4/115	30
FC4	11D/C4	4/93 Keyless Vehicle Module (KVM)	-	20
FC6	11D/C6	9/13 Seat Heating Module (SHM), passenger side	-	25
FC7	11D/C7	9/12 Seat Heating Module (SHM), driver's side	-	25

Fuses

Rear electrical center FD1-FD7



15/32 Rear electrical center

No.	No.	Fuse function	via	A
FD1	11D/D1	16/46 High Level Display Front module (HLDF) 16/108 Multimedia Module (MMM)	- -	10
FD4	11D/D4	16/145 Remote digital audio receiver (RDAR)	-	5
FD5	11D/D5	16/105 Audio module (AUD)	-	25
FD6	11D/D6	3/281 Infotainment Control Module (ICM) 16/1 Integrated Audio Module (IAM)	- -	15
FD7	11D/D7	16/60 Phone Module (PHM) 16/147 Bluetooth Phone Module (BPM)	- -	5