

## Volvo S60 2008 Wiring Diagram

Full download: <http://manualplace.com/download/volvo-s60-2008-wiring-diagram/>

VOLVO S60

# WIRING DIAGRAM 2008



TP 39112202

## Vehicles with SRS (Airbag)/SIPS bag/IC (Inflatable curtain)

### Warning!

Extra caution must be exercised when working on vehicles equipped with SRS/SIPS bag/IC in order to avoid:

1. Personal injuries when performing repair work.
2. Damage or malfunction of the SRS/SIPS bag/IC system.

Work involving the SRS/SIPS bag/IC systems or other components in the vehicle that may affect the SRS/SIPS bag/IC systems must always be performed by an authorized Volvo workshop.

In case of doubt, consult the SRS and SIPS bag/IC service manual.

### Is the vehicle equipped with SRS/SIPS bag/IC?

Vehicles with SRS are most easily recognized by the letters SRS in the center of the steering wheel. If the vehicle also has a passenger side airbag, the letters SRS are stamped on the dashboard above the glove compartment. SRS vehicles from 1993 and onward also have explosive seat belt tensioners. SIPS bags are only installed on SRS vehicles from 1995 and onward. SIPS bag decals are located on the windshield and seat compartment. Vehicles with IC can be recognized by the letters IC on the C/D panel (4 door) or the B panel (5 door).

### General recommendations

- Be especially careful when working on or around SRS, SIPS, and IC components.
- Make sure that no wires are pinched, frayed, or pierced.
- Never fit accessories by the sensors.
- Where applicable, work on the steering wheel, steering shaft, or steering gear must be done in accordance with the methods in the SRS section of VIDA.
- Certain components of the aforementioned systems must be grounded while working. Read the appropriate sections in VIDA.
- Do not install any accessories in the areas between the A and B-posts, the B and C-posts, and the C and D-posts.

### Test terminal

Fuse in cargo compartment auxiliary fuse box

### Changes implemented up to and including April 2007

Any changes made to the vehicle after this date are not included in the manual. If necessary, refer to service bulletins.

Volvo models are sold in versions adapted for different markets. These adaptations depend on factors such as legal requirements, taxation, and market demands.

This manual may therefore include illustrations and text that do not apply to the vehicles in your country.

### Order number: 39112202

Replaces earlier publication 39112201 of Electronic Wiring Diagram (EWD) TP 39118001

Also found on Electronic Wiring Diagram (EWD) TP 39120002

We retain the right to make modifications.

© Volvo Car Corporation

# Table of Contents 1:2

Vehicles with SRS (Airbag)/SIPS bag/IC (Inflatable curtain) .....	2
Explanations .....	5
Abbreviations .....	5
How to use the wiring diagrams 1:2 .....	6

## Overview

Electrical distribution 1:2 .....	8
-----------------------------------	---

## Fuses

Engine compartment 11A/1-5 .....	10
Engine compartment 11B/1-12 .....	11
Engine compartment 11B/13-15 .....	12
Engine compartment 11B/16-20 .....	13
Passenger compartment 11C/1-6 .....	14
Passenger compartment 11C/7-13 .....	15
Fuses in passenger compartment 11O/1-2 .....	16
Cargo compartment 11E .....	17
Cargo compartment 11L .....	18
Central Electronic Module (CEM) F1-F15 .....	19
Central Electronic Module (CEM) F16-F34 .....	20
Rear Electronic Module (REM) F1-F13 .....	21
Rear Electronic Module (REM) F17-F38 .....	22

## Relays

Ignition switch and relays .....	23
Engine compartment FMA1 - FST3 .....	24
Other relays .....	25

## Ground connections

Overview .....	26
31/1 - 31/44 .....	27
31/46 - 31/67 .....	28
31/70 - 31/73 .....	29
31/83 - 31/88 .....	30
31/89 - 31/93 .....	31
31/94 - 31/102 .....	32
31/120 .....	33

## Control modules

Overview of locations .....	34
Overview of designations .....	35
Central Electronic Module (CEM) 1:2 .....	36
Rear Electronic Module (REM) 1:2 .....	38
High speed CAN data communication .....	40
Low speed CAN data communication .....	41
LIN data communication 1:2 .....	42

## Group 23 Fuel system

Engine management system, 5-cyl. 1:2 .....	44
Engine management system, 5-cyl. Turbo 1:2 .....	46
Engine management system, Bi-Fuel 1:2 .....	48

Engine management system, 5-cyl. Diesel 1:3 .....	50
Emission control, 5-cyl. ....	53
Emission control, 5-cyl. Turbo .....	54

## Group 26 Cooling system

Cooling fan .....	55
Cooling fan, Diesel .....	56

## Group 27 Engine controls

Cruise control .....	57
Cruise control, Diesel .....	58

## Group 32 Alternator and voltage regulator

Power supply .....	59
--------------------	----

## Group 33 Starting system

Starting system .....	60
-----------------------	----

## Group 35 Lighting

High and low beam (Bi-Xenon) & Day running lights ...	61
Active headlights (ABL) .....	62
Fog lights .....	63
Brake lights .....	64
Reversing lights .....	65
Running/parking light, tail lights & license plate lighting .....	66
Follow-me-home lighting .....	67
Interior lighting .....	68
Beam length adjustment .....	69
Auxiliary lights .....	70

## Group 36 Additional electrical equipment

Rain sensor .....	71
Direction indicators and hazard warning flashers .....	72
Wiper/washer, windshield .....	73
Wiper/washer, headlights .....	74
High pressure headlight washer .....	75
Horn .....	76
Electronic immobilizer .....	77
Anti-theft alarm .....	78
Parking assistance .....	79
Accessory Electronic Module (AEM) 1:2 .....	80
Alcolock .....	82

## Group 37 Wiring and fuses

Diagnostics system .....	83
12V outlet .....	84
12V outlet, cargo compartment .....	85
Tow hitch cable harness, 4-pin .....	86
Tow hitch cable harness, 7-pin .....	87
Tow hitch cable harness, 13-pin .....	88

## Table of Contents 2:2

### Group 38 Instruments

Seat belt reminder .....	89
Driver information module.....	90
Driver information module, Diesel.....	91
Driver information module, Bi-Fuel .....	92

### Group 39 Other

Audio .....	93
Audio with auxiliary amplifier 1:2 .....	94
Mobile phone .....	96
Road Traffic Information module (RTI) .....	97
Road Traffic Information (RTI) & CD changer .....	98
Navigation system, portable .....	99
Handsfree .....	100
Handsfree MAX .....	101
CD changer.....	102
MP3 player.....	103
Satellite radio.....	104

### Group 43 Transmission

Automatic transmission AW55-51SN/AW51 AWD ....	105
Automatic transmission TF-80SC/ TF-80SC AWD, Diesel .....	106
Geartronic AW55-51SN/AW51 AWD.....	107
Shift lock AW51 & Manual .....	108
Differential Electronic Module (DEM).....	109

### Group 59 Brake system

Brake Control Module (BCM).....	110
---------------------------------	-----

### Group 64 Steering

Electronic power steering .....	111
---------------------------------	-----

### Group 76 Shock absorbers

Four-C .....	112
--------------	-----

### Group 83 Doors and openings

Central locking .....	113
Power windows.....	114
Power sunroof.....	115

### Group 84 Exterior decorative elements etc.

Power door mirrors .....	116
Heated door mirrors.....	117

Heated rear window.....	118
Blind spot information system.....	119

### Group 85 Interior equipment

Power driver's seat .....	120
Power passenger seat .....	121
Heated seats.....	122

### Group 87 Climate control system, Accessory

Relay, electric engine heater .....	123
Climate control system 1:2.....	124
Climate control system Diesel 1:2 .....	126
Parking heater, auxiliary heater .....	128
Parking heater, remote start .....	129
Parking heater, Call start .....	130
Short stop heater .....	131

### Group 88 Internal equipment

Supplemental Restraint System (SRS).....	132
Electrically adjustable head restraint .....	133
Remote garage door opener.....	134

### Connectors..... 135

### Branching points ..... 153

### Cable harness routing in vehicle

Engine harness, Gasoline.....	162
Engine harness, Diesel.....	163
Engine compartment harness LHD.....	164
Engine compartment harness RHD .....	165
Passenger compartment harness LHD.....	166
Passenger compartment harness RHD .....	167
Cargo compartment harness .....	168
Roof harness .....	169
Trunk/tailgate harness .....	170
Door harness .....	171
Harnesses Bi-Fuel .....	172

### Component pictures..... 173

### Index 1:2 ..... 218

### List of components 1:5 ..... 220



# Explanations

## Abbreviations

### Groups

Group 23	= Fuel system
Group 26	= Cooling system
Group 27	= Engine controls
Group 32	= Alternator and voltage regulator
Group 33	= Starting system
Group 35	= Lighting
Group 36	= Additional electrical equipment
Group 37	= Wiring and fuses
Group 38	= Instruments
Group 39	= Other
Group 43	= Transmission
Group 59	= Brake system
Group 64	= Steering
Group 76	= Shock absorbers
Group 83	= Doors and openings
Group 84	= Exterior decorative elements etc.
Group 85	= Interior equipment
Group 87	= Climate control system
Group 88	= Internal equipment

### Ignition switch symbols

X	= Accessories (audio position)
S	= Powered upon insertion of key
15	= The switch remains connected during start
15l	= Contact is broken while starting
30	= Constant power from the battery
50	= Start

### Countries/Markets

A	= Austria
AUS	= Australia
B	= Belgium
CDN	= Canada
CH	= Switzerland
D	= Germany
DK	= Denmark
E	= Spain
EU/OS	= Markets outside USA and Canada
FIN	= Finland
GB	= Great Britain
ISR	= Israel
J	= Japan
KOR	= Korea
N	= Norway
NL	= Netherlands
S	= Sweden
USA	= United States of America
WEU	= Western Europe

### Other

ABL	= Active Bi-Xenon Light
ACC	= Accessory
AMP	= Amplifier
AUDIO	= Audio system
AUTO	= Automatic transmission
Bi-X	= Bi-Xenon
BLIS	= Blind Spot Information System
CDCH	= CD changer beneath parcel shelf
CEM	= Central Electronic Module
DIESEL	= D5244 T4/T5/T6/T7
DRL	= Daytime Running Lights
DSTC	= Dynamic Stability Traction Control
ECC	= Electronic climate control system
ECPS	= Electronic power steering
EXC	= Exclusive
EXT. D	= Extended electrical distribution
HISPEED	= High speed data bus
LH	= Left-hand side
LHD	= Left-hand drive
LOSPEED	= Low speed data bus
MAN	= Manual transmission
MCC	= Manual climate control system
PETROL	= Gasoline
REM	= Rear Electronic Module
RH	= Right-hand side
RHD	= Right-hand drive
RTI	= Road Traffic Information
SUM	= Suspension Module
SRS	= Airbag
T	= Turbo engine
W/O	= Without
5CYL	= 5-cylinder engine

### Colors

BL	= Blue
BN	= Brown
GN	= Green
GR	= Gray
NL	= Natural
LBL	= Light Blue
LGN	= Light Green
OR	= Orange
P	= Pink
R	= Red
SB	= Black
VO	= Violet
W	= White
Y	= Yellow

# How to use the wiring diagrams 1:2

The descriptions below apply in general to all wiring diagram manuals, although not all sections are necessarily contained in this manual.

## A. Component designation

Every component has a component designation that consists of two parts.

The first part is a type number that describes the type of component in question, for example 3/xx.

The second part of the designation is a serial number, for example x/2.

Combined these give a component designation, for example 3/2.

At the end of the manual is a list of components, where, with the help of the component designation, you can read off the name of the component, for example, 3/2 = light switch.

## List of type numbers

The list shows which type of component that respective type numbers refer to, for example, 3/x = switch, 6/x = electric motor, etc.

1	Battery
2	Relay
3	Switch
4	Control module
5	Driver Information Module
6	Electric motor
7	Sensor
8	Actuator
9	Heating element
10	Light
11	Fuse
15	Electrical distribution rail/box
16	Audio
17	Service/diagnostics
18	Contact reel
19	Meter
20	Ignition component/shunt
26	Converter
27	Optics
31	Ground connection
53	Branching point
54	Connector

## B. Branching points

The wiring diagrams contain numbered branching points, for example 53/352.

This manual contains a section with a list of branching points. This list shows all the components which are connected to each branching point.

The location of the branching points is shown in the "Cable harness routing in vehicle" section.

## C. Connectors

Connectors provide a bridge between two cable harnesses and are described in the "Connectors" section.

## D. Electrical distribution

Operation of the fuses and relays is shown in the "Electrical distribution" section.

## E. Data communication

Today's cars contain CAN and LIN networks that transfer information. Connections to these networks are not shown in their entirety in the respective wiring diagram. Complete information on CAN and LIN communication is found in the section "Control modules".

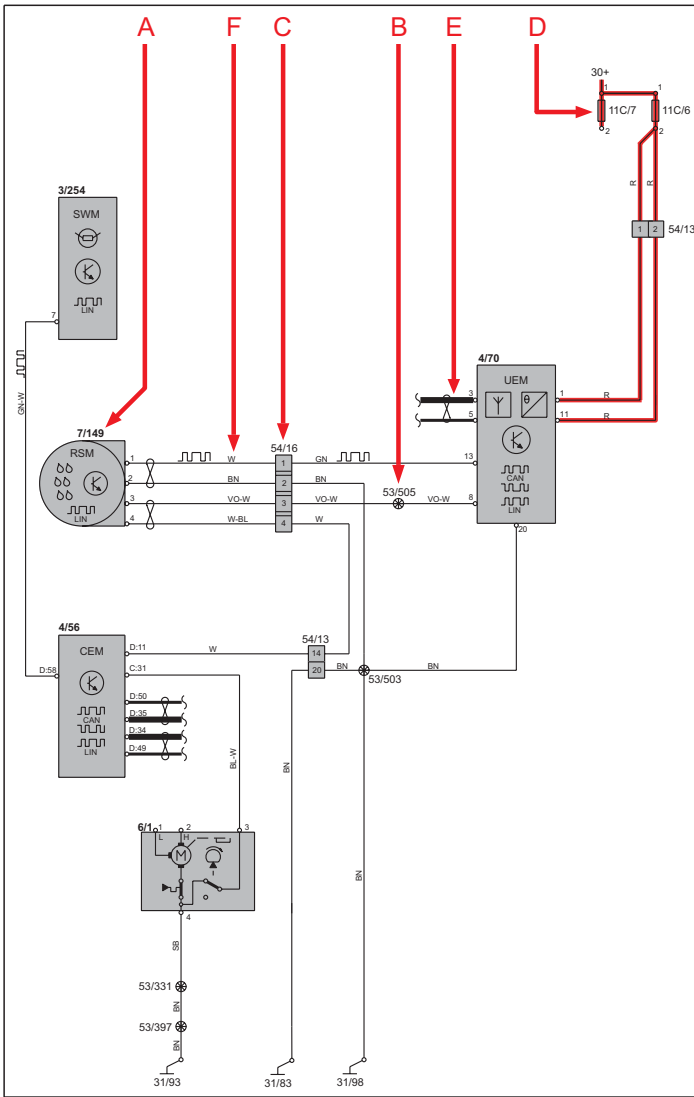
## F. Abbreviations

A number of different abbreviations are used in the manual. These are explained in the section "Abbreviations".


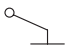

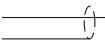

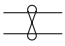
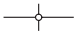




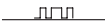
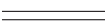





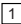
## G. Component location

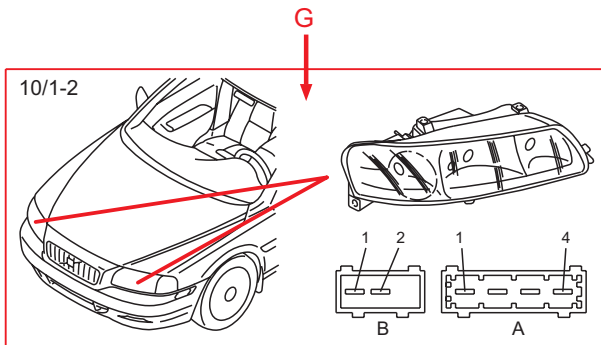
The end of the manual contains a section in which component appearance and location is described in numeric order. On the EWD disc, components are linked to the relevant diagram.

# How to use the wiring diagrams 2:2



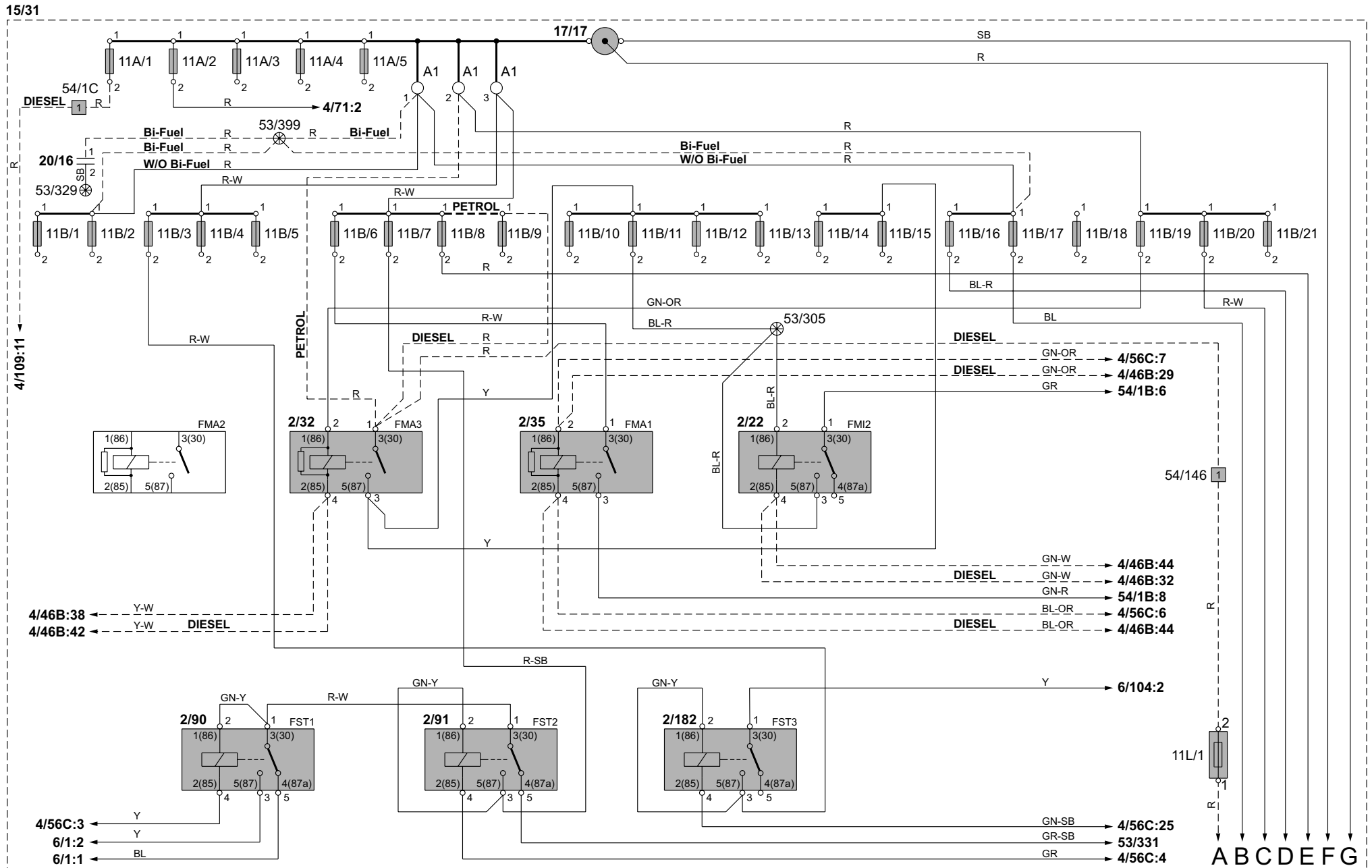
## List of symbols

-  = System voltage
-  = Ground connection via wiring
-  = Ground connection in component/chassis
-  = Screened wire
-  = Branching point
-  = Twisted cable
-  = Electrical connection
-  = Variant
-  = CAN communication
-  = CAN high data signal (CAN H)
-  = CAN low data signal (CAN L)
-  = LIN communication
-  = DIN cable, coaxial cable, etc.
-  = Data communication
-  = CAN communication
-  = Connection with distribution box
-  = Further connection to...
-  = Connector between cable harnesses
-  = Connector connected in component



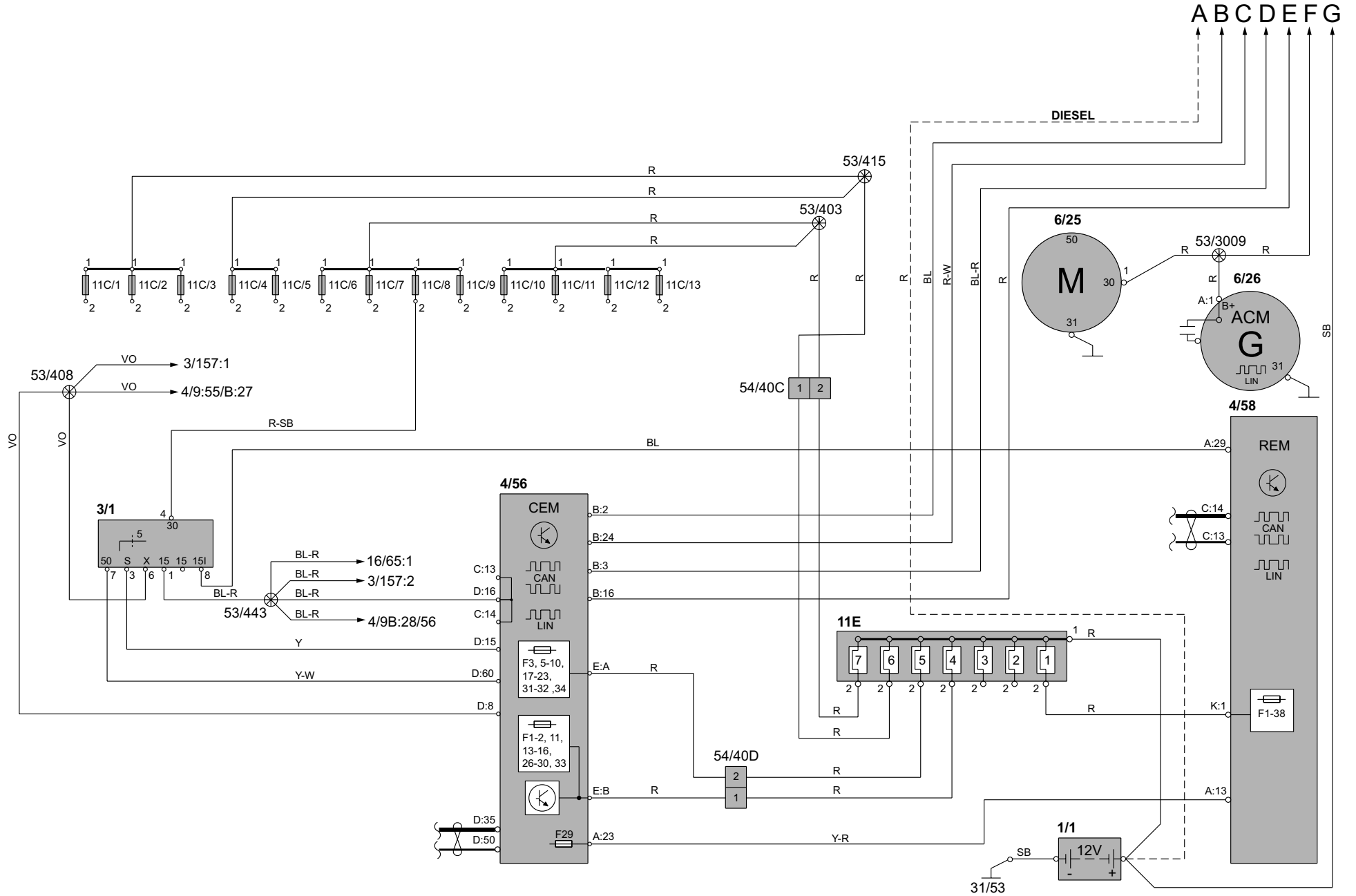
# Overview

## Electrical distribution 1:2



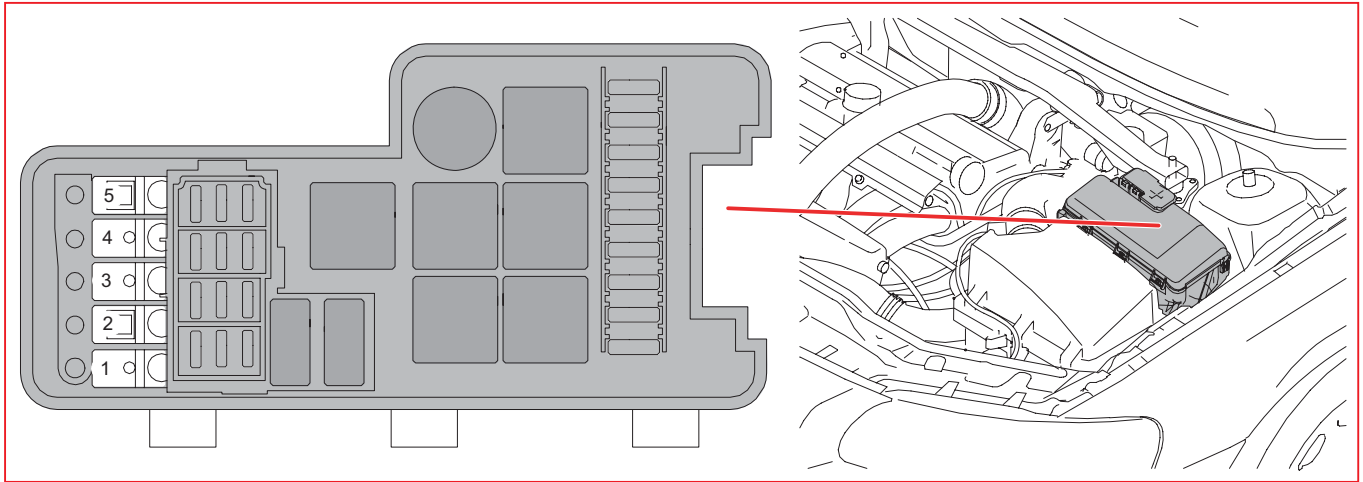
# Overview

## Electrical distribution 2:2



# Fuses

## Engine compartment 11A/1-5

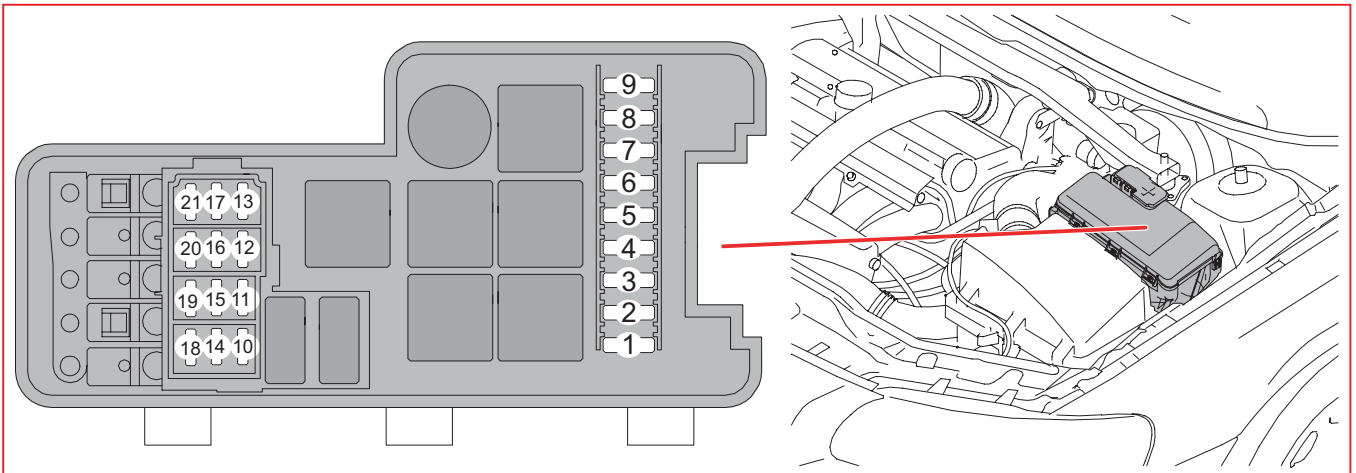


### 11A Fuses in the engine compartment

No.	Fuse function	via	A
1	4/109 Glow plug control unit (GCU) 20/22-26 Glow plug	- 4/109	60
2	6/29 Motor, cooling fan	4/71	60
3	-	-	-
4	-	-	-
5	-	-	-

# Fuses

## Engine compartment 11B/1-12

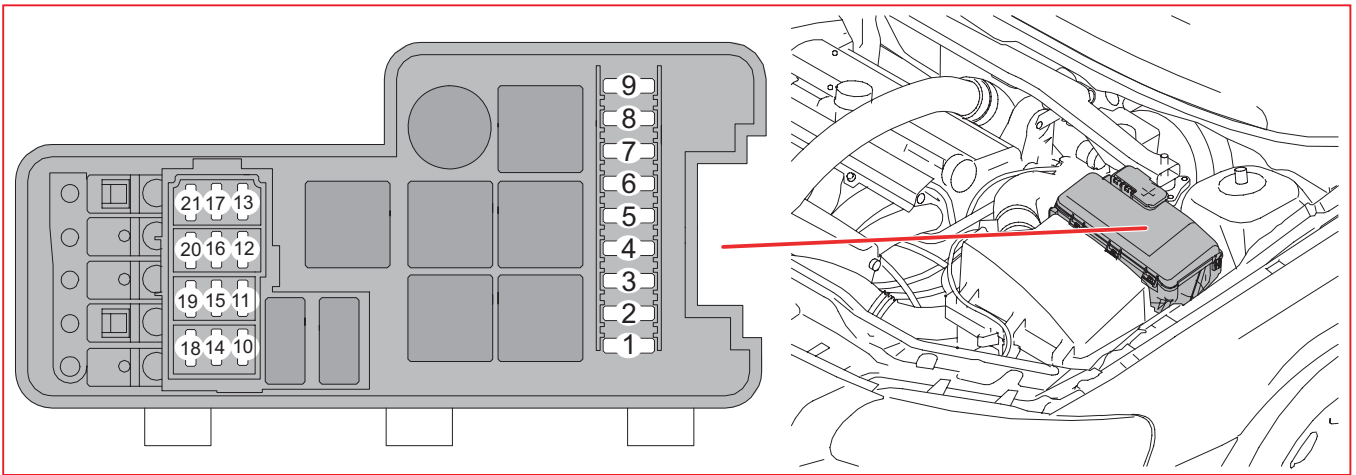


### 11B Fuses in the engine compartment

No.	Fuse function	via	A
1	4/16 Brake Control Module (BCM)	-	30
2	4/16 Brake Control Module (BCM)	-	30
3	6/104 High pressure headlight washer	2/182	35
4	6/35 Fuel pump, auxiliary heater 6/73 Coolant pump, auxiliary heater 9/30 Auxiliary heater	4/7 4/7 4/7	25
5	54/8 Connector cable harness extra lights, 30-feed	-	20
6	6/25 Starter motor	2/35	35
7	2/90 Relay, windshield wiper, low/high speed 2/91 Relay, intermittent wiping 6/1 Windshield wiper motor	2/91 - 2/90, 2/91	25
8	4/83 Fuel pump control module 6/33 Fuel pump	4/56 4/56	15
9	4/28 Transmission Control Module (TCM), TF-80SC/TF-80SC AWD	-	15
10	4/46 Engine Control Module (ECM), Diesel 20/3-8 Spark plug and ignition coil	- -	20
11	6/44 Cooling fan, electrics box, engine compartment 7/51 Accelerator pedal sensor 8/3 Electromagnetic clutch, climate control system	- - 2/22	10
12	7/17 Mass airflow sensor (MAF), Diesel	-	5
	4/46 Engine Control Module (ECM), Gasoline 7/17 Mass airflow sensor (MAF), Gasoline 8/6-11 Injectors, Gasoline	- - -	15
continues			

# Fuses

## Engine compartment 11B/13-15



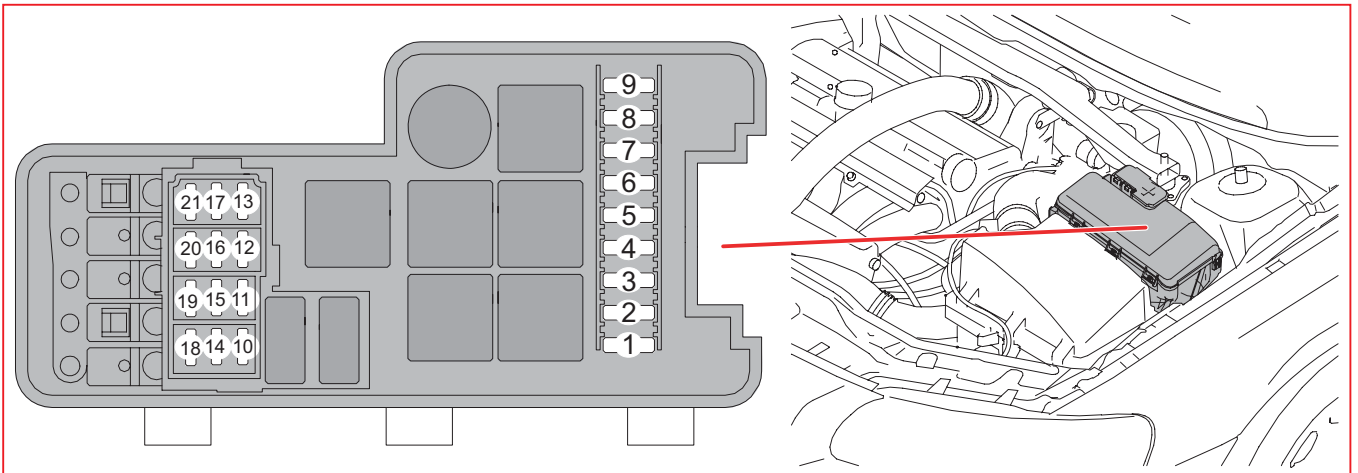
### 11B Fuses in the engine compartment

No.	Fuse function	via	A	
13	4/46 Engine Control Module (ECM), 5-cyl. not turbo	-	10	
	4/50 Electronic Throttle Module (ETM), Bi-Fuel	-		
	6/120 Throttle body motor, 5-cyl. not turbo	4/46		
	13	4/46 Engine Control Module (ECM), Diesel	-	15
		6/118 Control motor, swirl throttle, Diesel	4/46	
		6/120 Throttle body motor, Diesel	4/46	
		8/98 Fuel pressure control valve, Diesel	4/46	
		8/111 Fuel flow control valve	4/46	
14	7/15 Front heated oxygen sensor, Diesel	-	10	
	4/46 Engine Control Module (ECM), Bi-Fuel	-	20	
	7/15 Front heated oxygen sensor	-		
	7/82 Rear heated oxygen sensor	-		
15	6/67 Pump, fuel leakage control	-	10	
	6/105 Fuel distributor gas, Bi-Fuel	-		
	8/18 EVAP valve	-		
	8/19 Solenoid, variable valve timing intake	-		
	8/28 Turbo control valve	-		
	8/75 Valve, fuel cut-off DFCO	-		
	8/81 Solenoid, variable valve timing exhaust	-		
	9/32 PTC resistor, crankcase ventilation	-		
	15	4/109 Glow plug control unit (GCU)		-
		6/143 Turbo control motor, Diesel	-	
		8/64 Solenoid valve, engine pad	-	
		8/113 Bypass valve, EGR cooling, Diesel	-	
		8/120 EGR valve, Diesel	-	
	continues			



# Fuses

## Engine compartment 11B/16-20

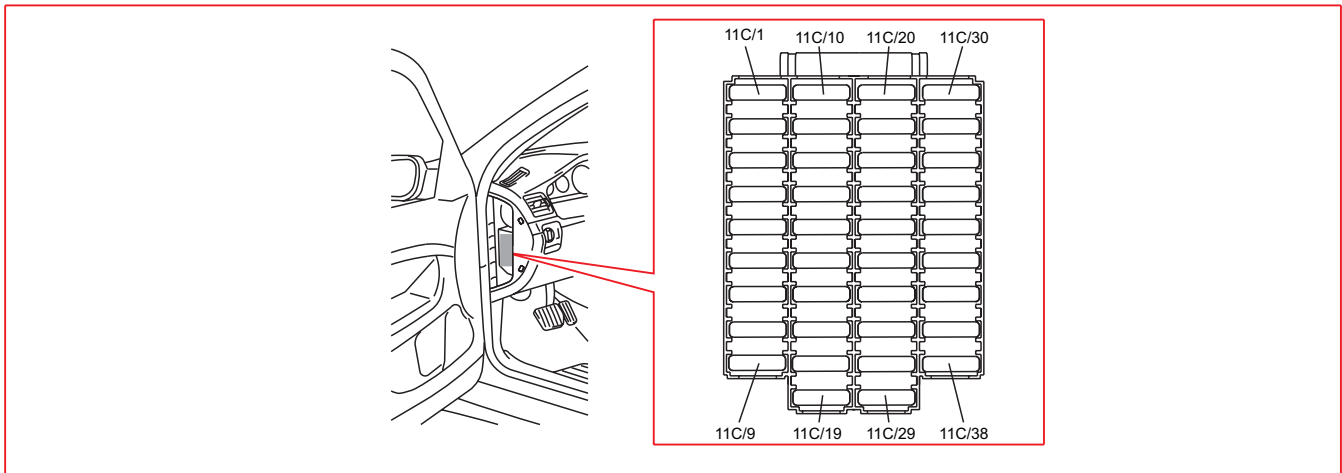


### 11B Fuses in the engine compartment

No.	Fuse function	via	A
16	10/1 Left front lamp housing, daytime running lights	4/56	20
	10/70 Left-hand low beam	4/56	
17	10/2 Right front lamp housing, daytime running lights	4/56	20
	10/66 Right-hand low beam	4/56	
19	2/32 Main relay, engine management system	-	5
	4/46 Engine Control Module (ECM)	-	
20	10/11 Front left running/parking light	4/56	15
	10/12 Front right running/parking light	4/56	
	10/71 Side running light, front left	4/56	
	10/73 Side running light, front right	4/56	

# Fuses

## Passenger compartment 11C/1-6

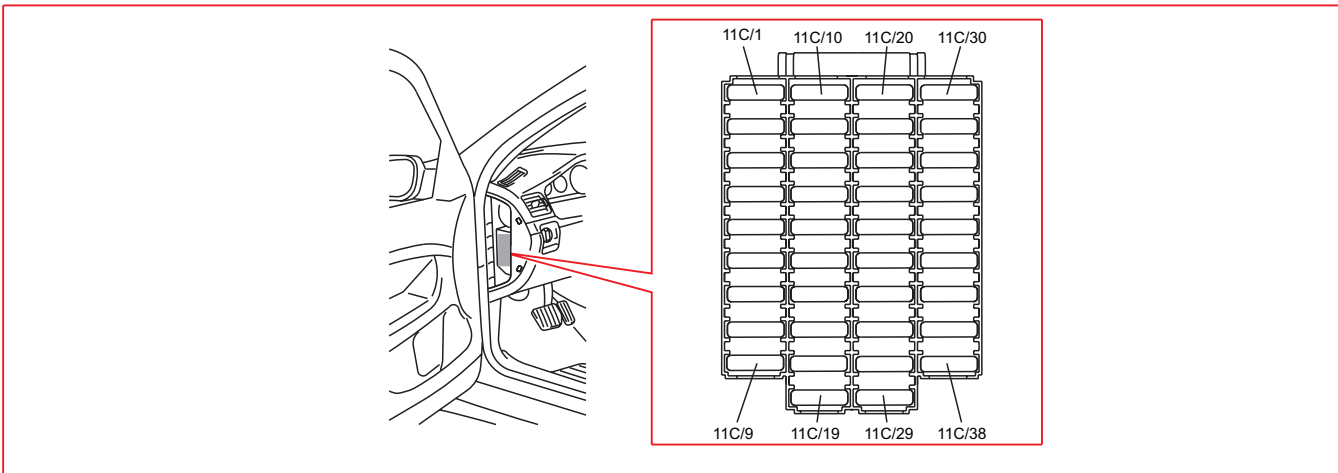


### 11C Fuses in the passenger compartment

No.	Fuse function	via	A
1	4/52 Power Seat Module (PSM)	-	25
	6/16 Driver seat motor, backrest angle	4/52	
	6/17 Driver seat motor, up/down front edge	4/52	
	6/18 Driver seat motor, up/down rear edge	4/52	
	6/19 Driver seat motor, forward/backward	4/52	
2	6/20 Passenger seat motor, forward/backward	3/27	25
	6/64 Passenger seat motor, backrest angle	3/27	
	6/65 Passenger seat motor, up/down front edge	3/27	
	6/66 Passenger seat motor, up/down rear edge	3/27	
3	6/28 Motor, passenger compartment fan	4/31	30
4	3/75 Right-hand front door lock unit	3/127	25
	3/127 Passenger/Driver Door Module (PDM)/(DDM)	-	
	6/60 Motor, front right power window	3/127	
	6/63 Right-hand power door mirror	3/127	
	9/34 Right-hand heated door mirror	3/127	
	10/149 Right-hand rearview mirror lighting	3/127	
5	3/74 Left-hand front door lock unit	3/126	25
	3/126 Driver/Passenger Door Module (DDM)/(PDM)	-	
	6/58 Motor, front left power window	3/126	
	6/62 Left-hand power door mirror	3/126	
	9/33 Left-hand heated door mirror	3/126	
	10/148 Left-hand rearview mirror lighting	3/126	
6	3/117 Switch unit, dome light	4/70	10
	4/33 Sunroof Module (SRM)	4/70	
	4/70 Upper Electronic Module (UEM)	-	
	4/76 Remote control unit for garage door opener	4/70	
	7/149 Rain Sensor Module (RSM)	4/70	
	10/114 Left-hand vanity mirror lighting	4/70	
	10/115 Right-hand vanity mirror lighting	4/70	
10/150 Rear reading light	4/70		
continues			

# Fuses

## Passenger compartment 11C/7-13

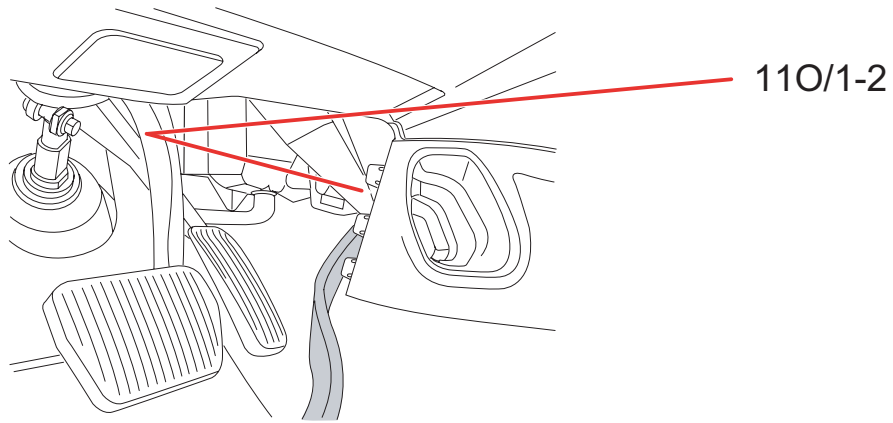


### 11C Fuses in the passenger compartment

No.	Fuse function	via	A
7	6/15 Sunroof motor	4/33	15
8	3/157 Passenger Airbag Cut Off Switch (PACOS)	3/1	7,5
	4/9 Supplemental Restraint System (SRS)	3/1	
	4/28 Transmission Control Module (TCM)	3/1, 4/56	
	4/46 Engine Control Module (ECM)	3/1, 4/56	
	4/56 Central Electronic Module (CEM)	3/1	
	4/58 Rear Electronic Module (REM)	3/1	
	11O/1 Fuse in extra fuse holder, passenger compartment	-	
11O/2 Fuse in extra fuse holder, passenger compartment	3/1		
16/65 Antenna ring/ignition switch illumination	3/1		
9	3/111 Light Switch Module (LSM)	-	5
	3/254 Steering Wheel Module (SWM)	-	
	4/68 Steering Wheel Angle Sensor Module (SAS)	3/254	
	17/13 Data link connector	-	
10	16/1 Audio Module (AUM)	-	20
	16/93 Control module, mobile phone handsfree	-	
11	16/2 Amplifier	-	30
12	16/46 RTI display	-	10
13	16/60 Phone Module (PHM)	-	5

## Fuses

### Fuses in passenger compartment 110/1-2

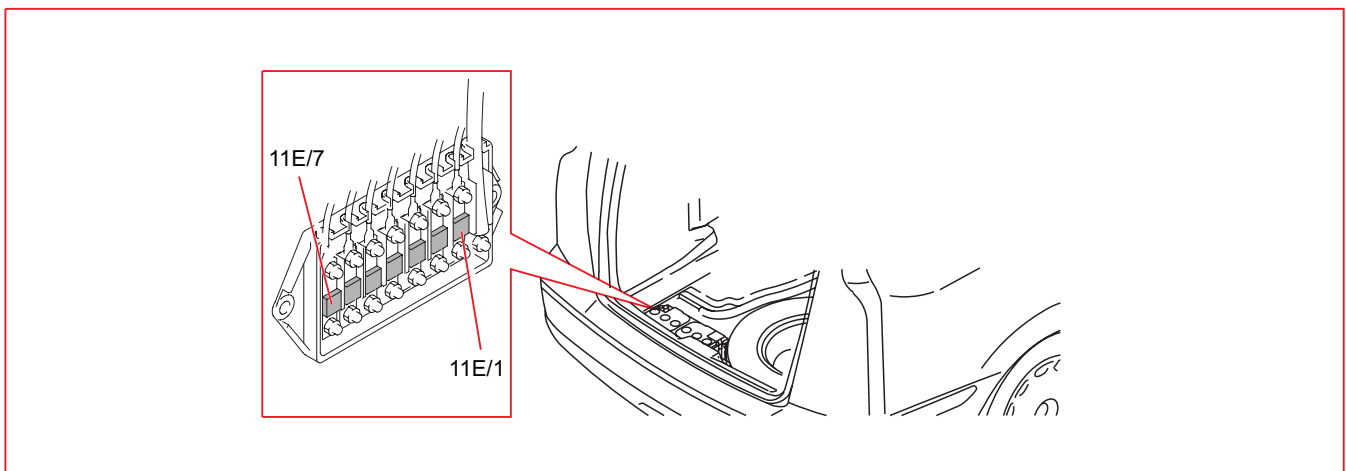


### 110/1-2 Fuses in the extra fuse holder passenger compartment

No.	Fuse function	via	A
1	Alcolock Alcolock	2/241	5
2	Alcolock	-	5

## Fuses

### Cargo compartment 11E

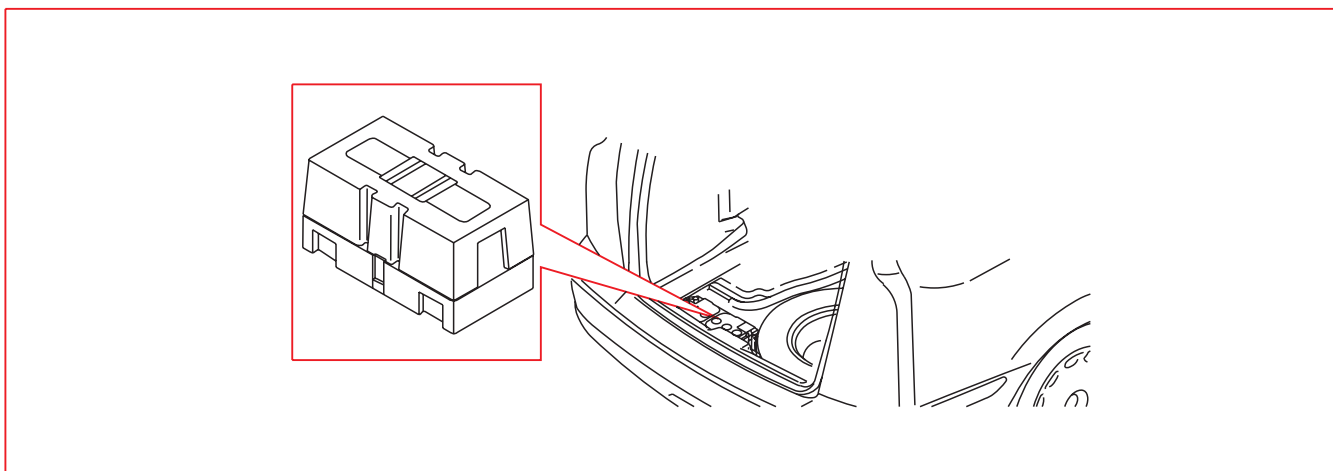


### 11E Fuses by the battery

No.	Fuse function	via	A
1	4/58 Rear Electronic Module (REM) Main fuse for: F1-F38	- -	60
4	4/56 Central Electronic Module (CEM) Main fuse for: F1-F2, F11, F13-F16, F26-F30, F33	- -	50
5	4/56 Central Electronic Module (CEM) Main fuse for: F3, F5-F10, F17-F23, F31-F32, F34	- -	50
6	11C/1-5 Fuses in passenger compartment fuse box	-	50
7	11C/6-13 Fuses in passenger compartment fuse box	-	50

## Fuses

### Cargo compartment 11L

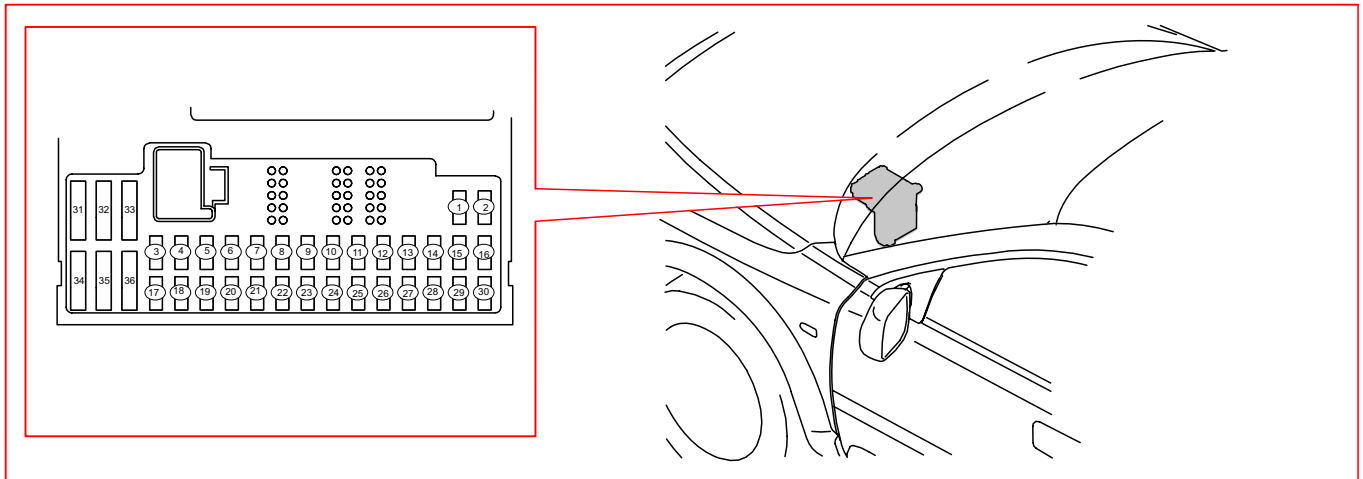


### 11L Fuses Diesel

No.	Fuse function	via	A
1	11B/9 Fuses in engine compartment fuse box	-	50
	11B/10-15 Fuses in engine compartment fuse box	2/32	

# Fuses

## Central Electronic Module (CEM) F1-F15

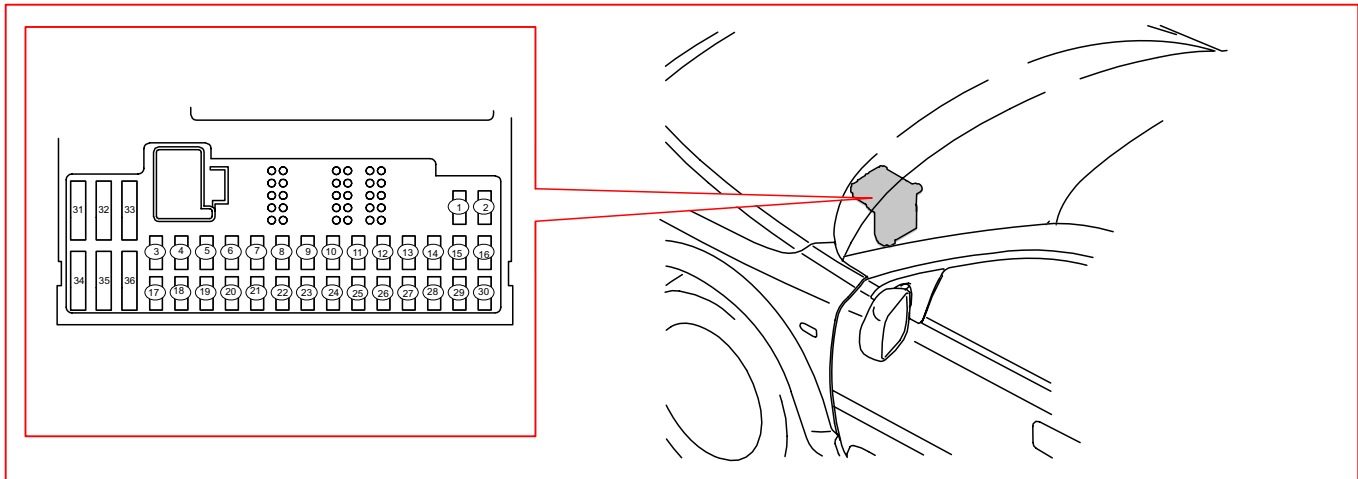


### 4/56 Central Electronic Module (CEM)

No.	Fuse function	via	A
F1	9/13 Seat Heating Module (SHM), right	-	15
F2	9/12 Seat Heating Module (SHM), left	-	15
F3	16/10 Horn 1 16/11 Horn 2	- -	15
F8	16/35 Siren Control Module (SCM)	-	5
F9	3/9 Brake light contact	-	5
F10	3/112 Climate Control Module (CCM) 4/7 Combustion Preheater Module (CPM) 4/52 Power Seat Module (PSM) 5/1 Driver Information Module (DIM) 6/48 Damper Motor Module (DMM), recirculation 6/69 Damper Motor Module (DMM), ventilation/floor/defroster 6/95 Damper Motor Module (DMM), temperature, left side 6/96 Damper Motor Module (DMM), temperature, right side 6/102 Damper Motor Module (DMM), defroster 6/103 Damper Motor Module (DMM), floor/ventilation 7/93 Occupant Weight Sensor (OWS) 7/159 Air Quality Sensor (AQS)	- - - - - - - - - - - - - -	10
F11	9/1 Front 12V outlet 9/25 Rear 12V outlet 16/45 Portable navigation system	- -	15
F14	6/3 Right-hand headlight wiper motor 6/4 Left-hand headlight wiper motor	- -	15
F15	4/16 Brake Control Module (BCM)	-	5
continues			

**Fuses**

**Central Electronic Module (CEM) F16-F34**



**4/56 Central Electronic Module (CEM)**

No.	Fuse function	via	A
F16	4/99 Electronic power steering control module	-	10
	4/118 Headlamp control module (HCM)	-	
	6/38 Left-hand headlight level adjustment motor	-	
	6/39 Right-hand headlight level adjustment motor	-	
	10/1 Left front lamp housing, Bi-Xenon	-	
	10/2 Right front lamp housing, Bi-Xenon	-	
F17	10/5 Front left fog light	-	7,5
F18	10/6 Front right fog light	-	7,5
F21	3/156 Gear Selector Module (GSM)	-	10
	4/28 Transmission Control Module (TCM)	-	
	8/36 Shift lock solenoid	3/156	
	8/134 Solenoid, reverse interlock, manual	-	
F22	10/68 Left-hand high beam	-	10
F23	10/64 Right-hand high beam	-	10
F28	3/27 Switch unit, power passenger seat	-	5
	16/1 Audio Module (AUM)	-	
	16/46 RTI display	-	
	16/93 Control module, mobile phone handsfree	-	
F29	6/31 Feed pump, ejectors	4/58	10
	8/88 Rear solenoid, fuel tank, Bi-Fuel	4/58	
	8/89 Front left solenoid, fuel tank, Bi-Fuel	4/58	
	8/90 Front right solenoid, fuel tank, Bi-Fuel	4/58	
F30	27/3 Left Camera Module (LCM)	-	5
	27/4 Right Camera Module (RCM)	-	
F33	6/114 Vacuum pump	8/84	20
F34	6/3 Right-hand headlight wiper motor	-	15
	6/4 Left-hand headlight wiper motor	-	
	6/127 Washer motor	-	