

Volvo S60 11 2011 Wiring Diagram

Full download: <http://manualplace.com/download/volvo-s60-11-2011-wiring-diagram/>



VOLVO S60 (11-)

WIRING DIAGRAM 2011



TP 39203202

Vehicles with SRS (Airbag)/SIPS bag/IC (Inflatable curtain)

Warning!

Extra caution must be exercised when working on vehicles equipped with SRS/SIPS bag/IC in order to avoid:

1. Personal injuries when performing repair work.
2. Damage or malfunction of the SRS/SIPS bag/IC system.

Work involving the SRS/SIPS bag/IC systems or other components in the vehicle that may affect the SRS/SIPS bag/IC systems must always be performed by an authorized Volvo workshop.

In case of doubt, consult the SRS and SIPS bag/IC service manual.

Is the vehicle equipped with SRS/SIPS bag/IC?

Vehicles with SRS are most easily recognized by the letters SRS in the center of the steering wheel. If the vehicle also has a passenger side airbag, the letters SRS are stamped on the dashboard above the glove compartment. SRS vehicles from 1993 and onward also have explosive seat belt tensioners. SIPS bags are only installed on SRS vehicles from 1995 and onward. SIPS bag decals are located on the windshield and seat compartment. Vehicles with IC can be recognized by the letters IC on the C/D panel (4 door) or the B panel (5 door).

General recommendations

- Be especially careful when working on or around SRS, SIPS, and IC components.
- Make sure that no wires are pinched, frayed, or pierced.
- Never fit accessories by the sensors.
- Where applicable, work on the steering wheel, steering shaft, or steering gear must be done in accordance with the methods in the SRS section of VIDA.
- Certain components of the aforementioned systems must be grounded while working. Read the appropriate sections in VIDA.
- Do not install any accessories in the areas between the A and B-posts, the B and C-posts, and the C and D-posts.

Test terminal

Fuse in cargo compartment auxiliary fuse box.

Changes introduced up to May 2010

Any changes made to the vehicle after this date are not included in the manual. If necessary, refer to service bulletins.

Volvo models are sold in versions adapted for different markets. These adaptations depend on factors such as legal requirements, taxation, and market demands.

This manual may therefore include illustrations and text that do not apply to the vehicles in your country.

Ordering:

Electronic Wiring Diagrams (EWDs) can be ordered from the Technical Information Shop (TIS) at www.volvocarstechinfo.ford.com/vss

We retain the right to make modifications.

Table of Contents 1:3

Vehicles with SRS (Airbag)/SIPS bag /IC (Inflatable curtain).....	2
Explanations	6
Abbreviations.....	6
How to use the wiring diagrams 1:2.....	7
Overview, Electrical center and Cold zone in engine compartment.....	9
Overview, Distribution box in cargo compartment	10
Overview, Distribution box in passenger compartment	11

Fuses

Distribution box in engine compartment F1-F7.....	12
Distribution box in engine compartment F8-F23.....	13
Distribution box in engine compartment F27-F36.....	14
Distribution box in engine compartment F37-F38.....	15
Engine compartment electrical center F39-F44.....	16
Central Electronic Module (CEM) F1 - F8.....	17
Central Electronic Module (CEM) F9 - F19.....	18
Central Electronic Module (CEM) F20 - F24.....	19
Distribution box in passenger compartment F1 - F17... ..	20
Distribution box in passenger compartment F18 - F30.....	21
Distribution box in cargo compartment FA1-FA11.....	22
Battery PF1-PF2.....	23

Relays

Relays in the engine compartment R1-R2.....	24
Relays in the engine compartment R8.....	25
Relays in the engine compartment R10-R13.....	26
Relays in passenger compartment R1 - R4.....	27
Cargo compartment RA1 - RA2.....	28

Ground connections

Overview.....	29
31/1 - 31/7	30
31/10 - 31/15 continues	31
31/15 - 31/68	32
31/83 - 31/89	33
31/90 - 31/XX10.....	34
31/XX14 - 31/TRM	35

Control modules

Overview locations.....	36
Overview designations.....	37
Central Electronic Module (CEM) 1:3	38
Data communication, High speed CAN	41
Data communication intermediate speed CAN, LHD... ..	42
Data communication intermediate speed CAN, RHD	43
Data communication Local CAN.....	44
Data communication LIN 1:2	45
Data communication MOST.....	47
Steering Wheel Module (SWM)	48

Group 23 Fuel system

Engine management system, 4-Cyl. Turbo 1:2.....	49
Engine management system, 6-Cyl. Turbo 1:2.....	51
Engine management system, 5-Cyl. Diesel	
EURO5 1:3	53
Emission control 4-Cyl. Turbo.....	56
Emission control 6-Cyl.	57

Group 26 Cooling system

Cooling fan 4-Cyl. Turbo	58
Cooling fan 5-Cyl. Diesel EURO5.....	59
Cooling fan 6-Cyl.	60

Group 27 Engine controls

Cruise control 4-Cyl. Turbo	61
Cruise control 5-Cyl. Diesel	62
Cruise control 6-Cyl.	63

Group 32 Alternator and voltage regulator

Power supply 4-Cyl.....	64
Power supply 5-Cyl.&6-Cyl.	65

Group 33 Starting system

Starting system 4-Cyl.....	66
Starting system, 5-Cyl. & 6-Cyl.	67

Group 35 Lighting

High and low beam	68
High and low beam (Dual Xenon).....	69
Beam length adjustment, manual	70
Running/Parking light, Tail lights S60	71
Running/Parking light, Tail lights V60	72
Running/Parking light, Tail lights (Dual Xenon) S60	73
Running/Parking light, Tail lights (Dual Xenon) V60	74
Fog lights S60	75
Fog lights V60	76
Brake lights S60.....	77
Brake lights V60.....	78
Reversing lights S60	79
Reversing lights V60	80
Follow-me-home lighting LHD.....	81
Follow-me-home lighting RHD	82
Interior lighting, LHD 1:2	83
Interior lighting, LHD 2:2	84
Interior lighting, RHD 1:2.....	85
Active headlight	87
Lighting in door sill trims	88
Auxiliary lights.....	89

Table of Contents 2:3

Group 36 Additional electrical equipment

Rain sensor.....	90
Direction indicator and hazard warning flashers LHD S60.....	91
Direction indicator and hazard warning flashers LHD V60.....	92
Direction indicator and hazard warning flashers RHD S60.....	93
Direction indicator and hazard warning flashers RHD V60.....	94
Wiper/washer windshield.....	95
Washer headlights.....	96
Wiper/Washer rear windowV60.....	97
Horn.....	98
Keyless vehicle 1:2.....	99
Anti-theft alarm.....	101
Parking assistance.....	102
Collision warning with power brake booster.....	103
Tire pressure monitoring system (TPMS).....	104

Group 37 Wiring and fuses

Diagnostics system.....	105
12 V outlet, S60.....	106
12 V outlet, V60.....	107
Cable harness towbar/tow hitch 13-pin S60.....	108
Cable harness towbar/tow hitch 13-pin V60.....	109

Group 38 Instruments

Seat belt reminder.....	110
Driver information module.....	111

Group 39 Other

Audio Premium 1:3.....	112
Audio 1:2.....	115
Cellular phone 1:2.....	117
DAB Radio.....	119
Multimedia monitor with DVD, Dual Screen (RSE)....	120
TV receiver / TV control module S60.....	121
TV receiver / TV control module V60.....	122
Bluetooth Handsfree.....	123
Navigation system and Traffic information, portable..	124
Satellite radio.....	125
Parking camera front.....	126
Parking camera rear.....	127
Parking camera wide angle front.....	128

Group 43 Transmission

Transmission M66.....	129
Automatic transmission, TF-80SC AWD.....	130
Automatic transmission MPS6.....	131
Differential Electronic Module (DEM).....	132

Group 55 Parking brake

Electric parking brake.....	133
-----------------------------	-----

Group 59 Brake system

Brake control system & DSTC.....	134
----------------------------------	-----

Group 64 Steering

Speed dependent power steering.....	135
-------------------------------------	-----

Group 76 Shock absorbers

Four-C.....	136
-------------	-----

Group 83 Doors and openings

Central locking front doors LHD.....	137
Central locking front doors RHD.....	138
Central locking rear doors.....	139
Central locking tailgate S60.....	140
Central locking tailgate V60.....	141
Central locking fuel filler flap.....	142
Signal receiver central locking.....	143
Power windows front doors LHD.....	144
Power windows front doors RHD.....	145
Power windows rear doors.....	146
Power sunroof.....	147

Group 84 Exterior decorative elements, etc.

Power door mirrors LHD.....	148
Power door mirrors RHD.....	149
Heated door mirrors LHD.....	150
Heated door mirrors RHD.....	151
Blind spot information system LHD.....	152
Blind spot information system RHD.....	153
Heated rear window.....	154

Table of Contents 3:3

Group 85 Interior equipment

Power driver's seat with memory function, LHD	155
Power driver's seat with memory function, RHD	156
Power passenger seat, LHD	157
Power passenger seat, RHD	158
Heated front seats	159
Heated rear seat	160

Group 87 Climate control system

Climate control system, 4-Cyl. 1:2	161
Climate control system 5-Cyl. & 6-Cyl. 1:2	163
Climate control system PTC-elements	165
Parking heater, auxiliary heater	166
Parking heater, remote start	167

Group 88 Internal equipment

Rear-view mirror with automatic dimming	168
Supplemental restraint system 1:2	169
Remote control opener garage door	171

Group 89 Body other

Radiator masking blind	172
------------------------------	-----

Connectors 173

Branching points204

Cable harness routing in vehicle

Harness engine 4-Cyl. Turbo	219
Harness engine, 6-Cyl. Turbo	219

Harness engine, 2.0L Diesel	220
Harness engine, 2.4L Diesel	220
Engine compartment harness LHD	221
Engine compartment harness RHD	222
Harness dashboard, LHD	223
Harness Dashboard, RHD	224
Harness Floor, LHD S60	225
Harness Floor, RHD S60	226
Floor Harness, LHD V60	227
Harness Floor, RHD V60	228
Harness infotainment, LHD S60	229
Harness infotainment, RHD S60	230
Harness infotainment, LHD V60	231
Harness infotainment, RHD V60	232
Roof harness, S60	233
Roof harness V60	233
Center console harness	234
Tunnel harness	234
Harness front door, left	235
Harness front door, right	235
Harness rear door, left	236
Harness rear door, right	236
Trunk lid/tailgate harness, S60	237
Trunk lid/tailgate harness, V60	237
Harnesses rear axle	238

Component illustrations239

Index 1:3293

List of components 1:6295

Explanations

Abbreviations

Groups

Group 23	= Fuel system
Group 26	= Cooling system
Group 27	= Engine controls
Group 32	= Alternator and voltage regulator
Group 33	= Starting system
Group 35	= Lighting
Group 36	= Additional electrical equipment
Group 37	= Wiring and fuses
Group 38	= Instruments
Group 39	= Other
Group 43	= Transmission
Group 55	= Parking brake
Group 59	= Brake system
Group 64	= Steering
Group 76	= Shock absorbers
Group 83	= Doors and openings
Group 84	= Exterior decorative elements, etc.
Group 85	= Interior equipment
Group 87	= Climate control system
Group 88	= Internal equipment

Designations ignition switch

X	= Accessories (audio position)
S	= Powered upon insertion of key
15	= The switch remains connected during start
15l	= Contact is broken while starting
30	= Constant power from the battery
50	= Start

Countries/Markets

A	= Austria
AUS	= Australia
B	= Belgium
CDN	= Canada
CH	= Switzerland
D	= Germany
DK	= Denmark
E	= Spain
EU/OS	= Markets outside USA and Canada
FIN	= Finland
GB	= Great Britain
ISR	= Israel
J	= Japan
KOR	= Korea
N	= Norway
NL	= Netherlands
S	= Sweden
USA	= United States of America
WEU	= Western Europe

Other

ACC	= Adaptive Cruise Control
Ag	= Silver plated
Au	= Gold plated
AUTO	= Automatic transmission
BLIS	= Blind Spot Information System
CAN	= CAN communication
DPY	= Display
ECC	= Electronic climate control system
ETA	= Throttle unit
EXC	= Exclusive
GDL	= Gas discharge lamp
HS	= High speed data bus
KEYLESS	= Keyless vehicle
IR	= Infrared sensor
LIN	= LIN communication
LH	= Left-hand side
LHD	= Left-hand drive
MAN	= Manual transmission
MEMORY	= Memory driver's seat
MIRCAM	= Parking camera in rear-view mirror
MS	= Midspeed data bus
MMS	= Mass Movement Sensor
PANROOF	= Panoramic roof
PETROL	= Gasoline
RH	= Right-hand side
RHD	= Right-hand drive
RTI	= Road Traffic Information
SCR	= Screened
SRS	= Airbag
T	= Turbo engine
W/O	= Without
2WD	= Two-wheel drive
4CYL, I4	= 4-cylinder engine
5CYL, I5	= 5-cylinder engine
6CYL, I6	= 6-cylinder engine

Colors

BK, SB	= Black
BN	= Brown
BU, BL	= Blue
GN	= Green
GY, GR	= Gray
LGN	= Light Green
NL	= Natural
OG, OR	= Orange
PK, P	= Pink
RD, R	= Red
VT, VO	= Violet
WH, W	= White
YE, Y	= Yellow

How to use the wiring diagrams 1:2

The descriptions below apply in general to all wiring diagram manuals, although not all sections are necessarily contained in this manual.

A. Component designation

Every component has a component designation that consists of two parts.

The first part is a type number that describes the type of component in question, for example 3/xx.

The second part of the designation is a serial number, for example x/2.

Combined these give a component designation, for example 3/2.

At the end of the manual is a list of components, where, with the help of the component designation, you can read off the name of the component, for example, 3/2 = light switch.

List of type numbers

The list shows which type of component that respective type numbers refer to, for example, 3/x = switch, 6/x = electric motor, etc.

1	Battery
2	Relay
3	Switch
4	Control module
5	Driver Information Module
6	Electric motor
7	Sensor
8	Actuator
9	Heating element
10	Light
11	Fuse
15	Electrical distribution rail/box
16	Audio
17	Service/diagnostics
18	Contact reel
19	Meter
20	Ignition component/shunt
27	Optics
31	Ground connection
73	Branching point
74	Connector

The systems are shown in not active status, i.e. "key removed" and when doors, trunk lid/tailgate and hood are closed.

B. Branching points

The wiring diagrams contain numbered branching points, for example 73/5035.

This manual contains a section with a list of branching points. This list shows all the components which are connected to each branching point.

The location of the branching points is shown in the "Cable harness routing in vehicle" section.

C. Connectors

Connectors provide a bridge between two cable harnesses and are described in the "Connectors" section.

D. Electrical distribution

Operation of the fuses and relays is shown in the "Electrical distribution" section.

E. Data communication

Today's cars contain CAN, LIN and MOST networks that transfer information. Connections to these networks are not shown in their entirety in the respective wiring diagram. Complete information on CAN, LIN and MOST communication is found in the section "Control modules".

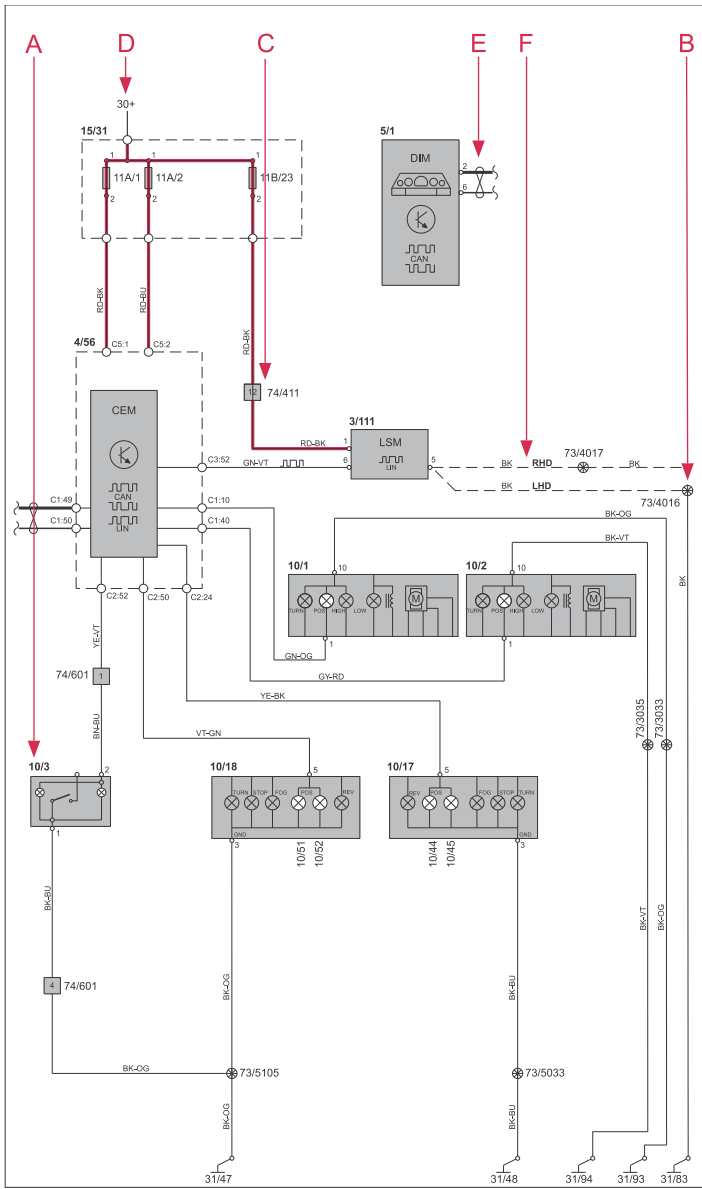
F. Abbreviations

A number of different abbreviations are used in the manual. These are explained in the section "Abbreviations".

G. Component location

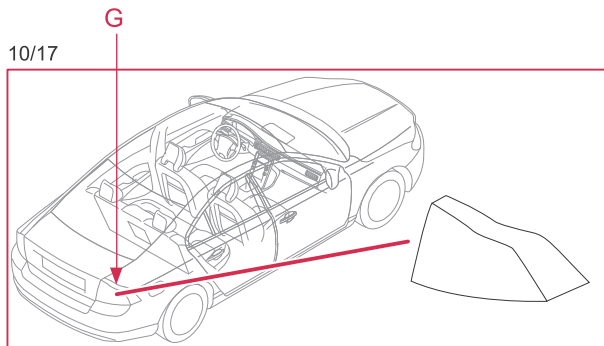
The end of the manual contains a section that describes component appearance and location in numerical order.

How to use the wiring diagrams 2:2



Explanation of symbols

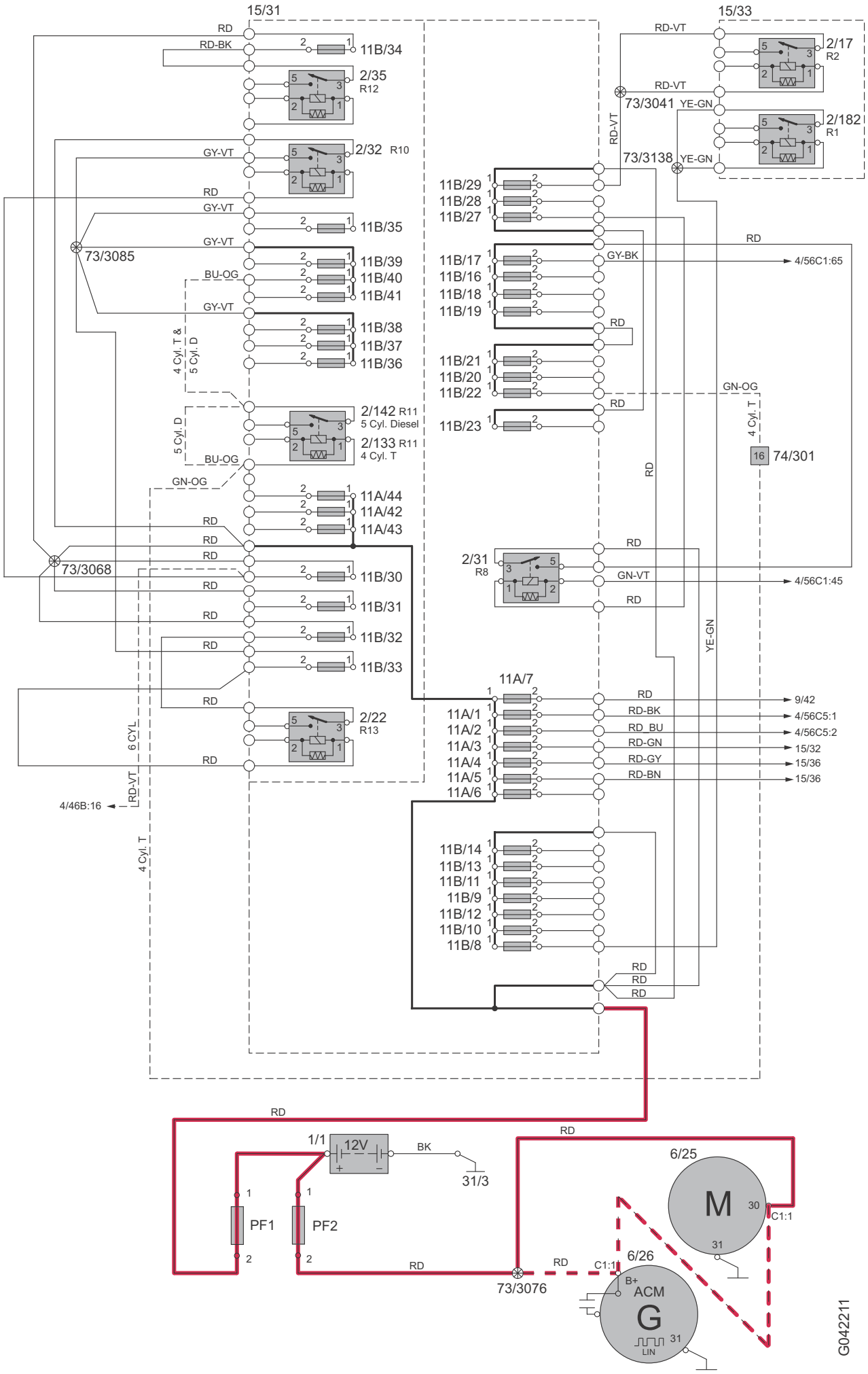
- = System voltage
- = Ground connection via wiring
- = Ground connection in component/chassis
- = Screened wire
- = Branching point
- = Twisted cable
- = Electrical connection
- = Variant
- = CAN communication
- = CAN high data signal (CAN H)
- = CAN low data signal (CAN L)
- = LIN communication
- = LIN communication
- = DIN cable, coaxial cable, etc.
- = Data communication
- = CAN communication
- = MOST communication
- = MOST communication
- = Connection with distribution box
- = Further connection to...
- = Connector between cable harnesses
- = Connector connected in component



G029147

Electrical distribution 1:3

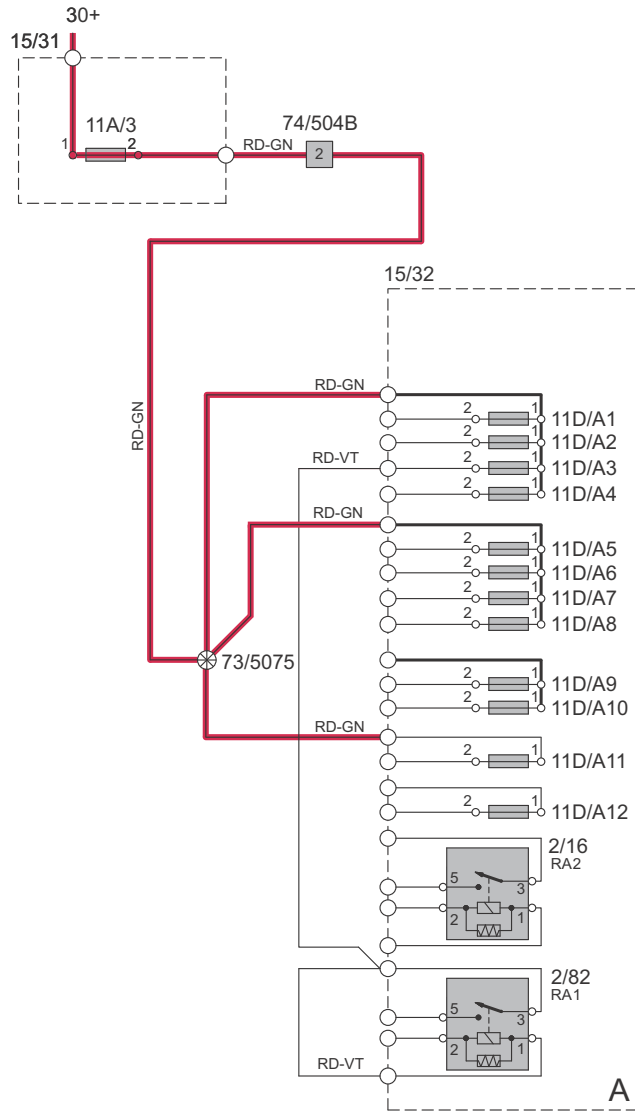
Overview, Electrical center and Cold zone in engine compartment



G042211

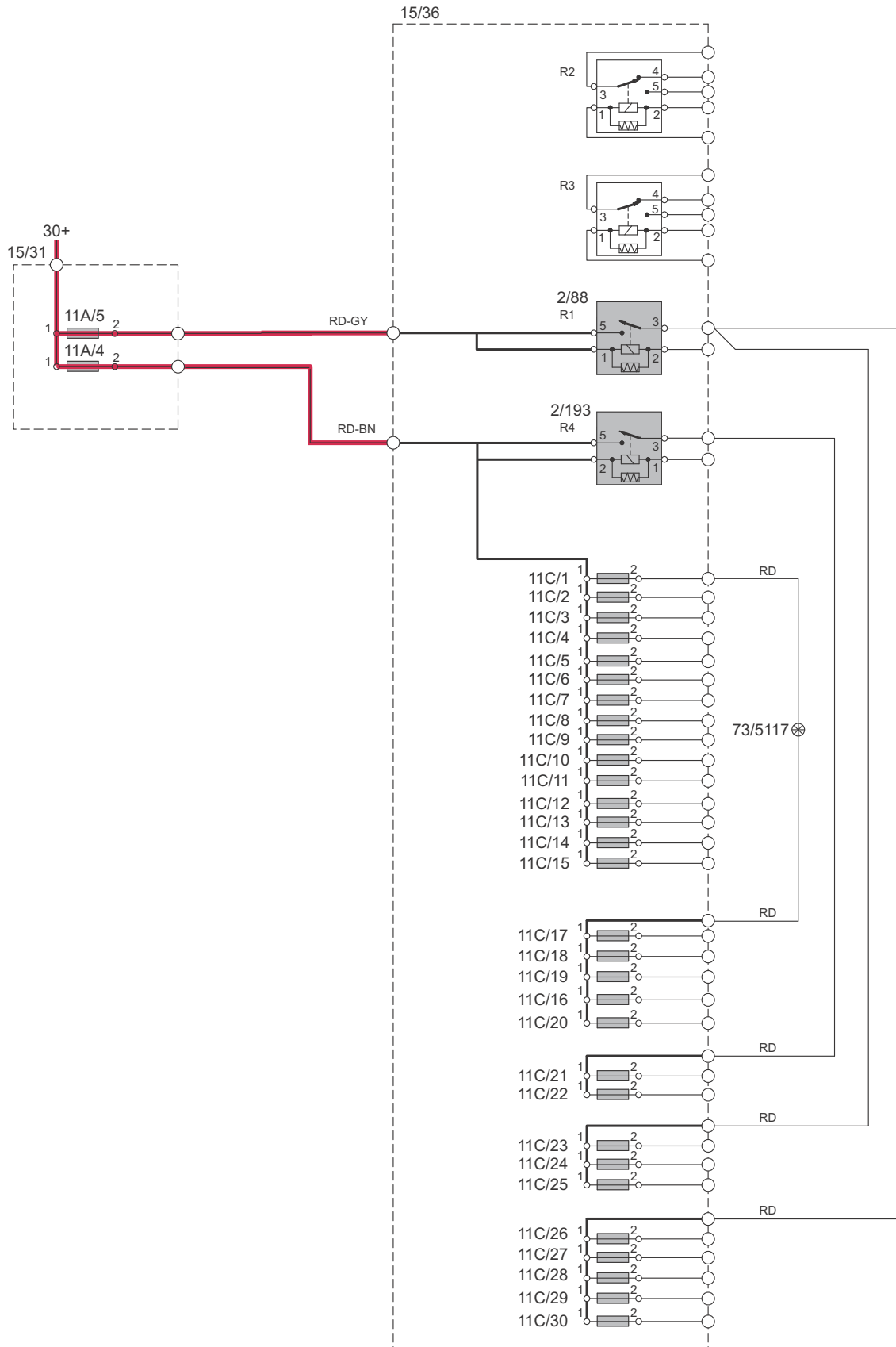
Electrical distribution 2:3

Overview, Distribution box in cargo compartment



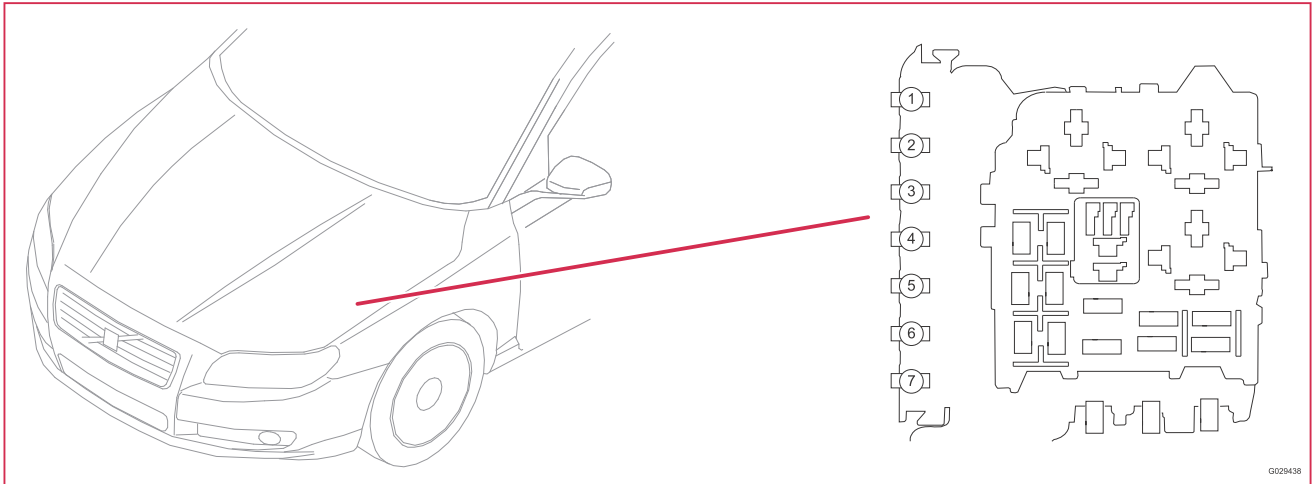
Electrical distribution 3:3

Overview, Distribution box in passenger compartment



Fuses

Distribution box in engine compartment F1-F7



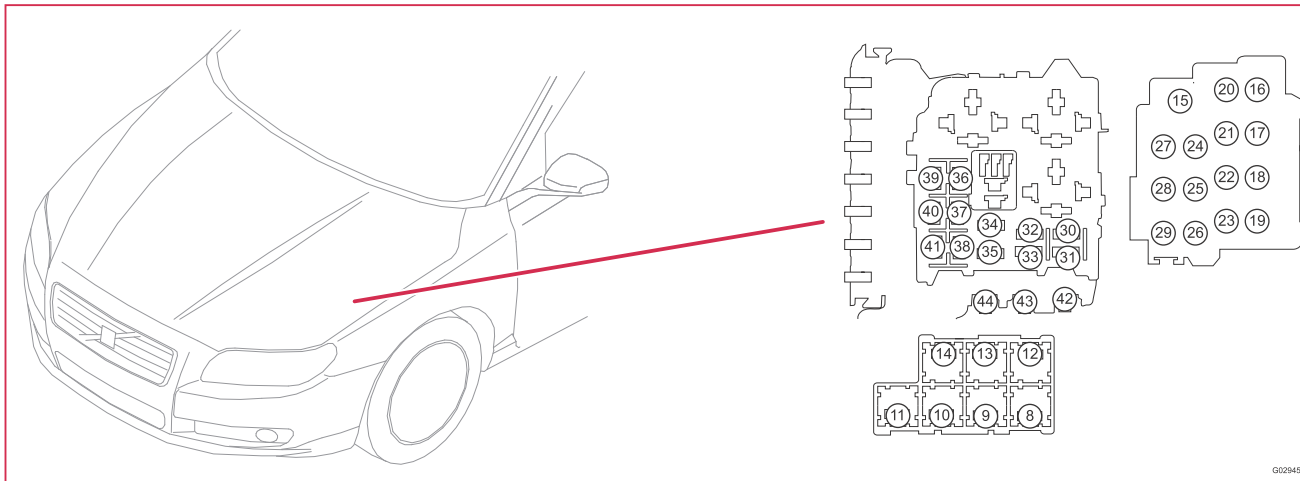
G029438

15/31 Distribution box in engine compartment

No.	No.	Fuse function	via	A	
F1	11A/1	4/56 F7 F9-F11 F21 F23	Central Electronic Module (CEM) Fuse in the Central Electronic Module (CEM) Fuses in the Central Electronic Module (CEM) Fuse in the Central Electronic Module (CEM) Fuse in the Central Electronic Module (CEM)	- relay in CEM relay in CEM relay in CEM relay in CEM	50
F2	11A/2	4/56 F3-F6 F8 F13-F16 F22 F24	Central Electronic Module (CEM) Fuses in the Central Electronic Module (CEM) Fuse in the Central Electronic Module (CEM) Fuses in the Central Electronic Module (CEM) Fuse in the Central Electronic Module (CEM) Fuses in the Central Electronic Module (CEM)	- relay in CEM relay in CEM - - -	50
F3	11A/3	11D/A1-11D/A11	Fuses in distribution box cargo compartment	-	60
F4	11A/4	2/193 11C/1-11C/15 11C/21-11C/22 11D/A5	Relay, comfort functions Fuses in distribution box passenger compartment Fuses in distribution box passenger compartment Fuses in distribution box cargo compartment	- - 2/193 -	60
F5	11A/5	2/88 11C/23-11C/25 11C/26-11C/30	Relay, 15-feed Fuses in distribution box passenger compartment Fuses in distribution box passenger compartment	- 2/88	60
F7	11A/7	9/42	PTC-element	-	100
continues					

Fuses

Distribution box in engine compartment F8-F23



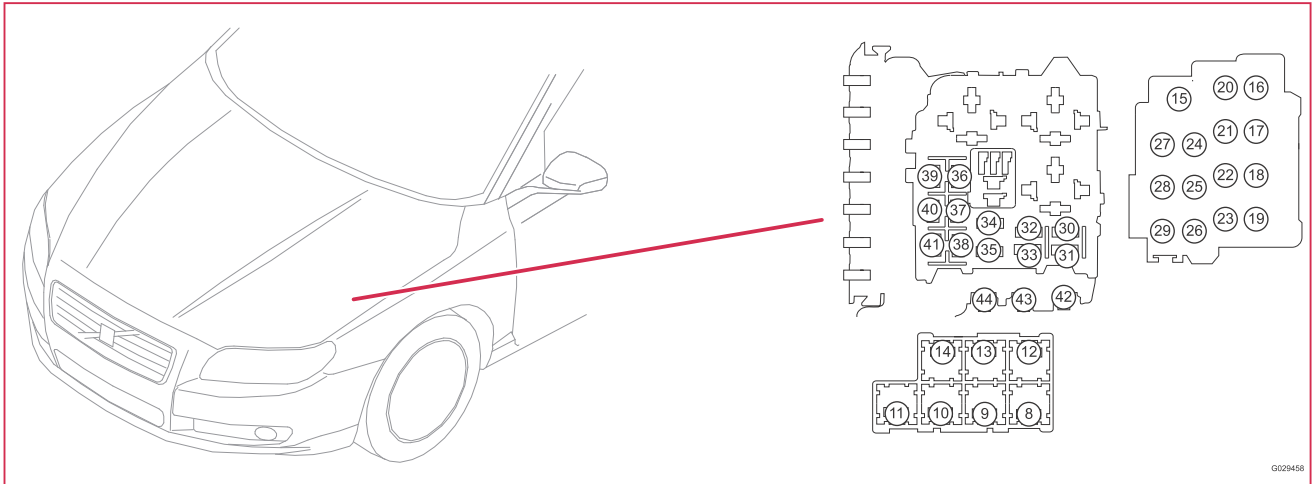
G029458

15/31 Distribution box in engine compartment

No.	No.	Fuse function	via	A
F8	11B/8	2/182 Relay, headlight washer motor 6/104 Washer motor headlights	- 2/182	20
F9	11B/9	6/1 Wiper motor module (WMM)	-	30
F10	11B/10	4/7 Combustion Preheater Module (CPM) 4/106 Control module, remote parking heater start	- -	25
F11	11B/11	4/31 Fan control module 6/28 Motor, passenger compartment fan	- -	40
F13	11B/13	4/16 Brake Control Module (BCM), pump	-	40
F14	11B/14	4/16 Brake Control Module (BCM), valves	-	20
F16	11B/16	4/118 Headlamp control module (HCM) 10/1 Left-hand front lamp housing 10/2 Right-hand front lamp housing	- - -	10
F17	11B/17	4/56 Central Electronic Module (CEM) F18-F20 Fuses in the Central Electronic Module (CEM)	-	20
F18	11B/18	4/16 Brake Control Module (BCM)	-	5
F19	11B/19	4/99 Electronic power steering control module 6/164 Electrical power steering module (EPS)	- -	5
F20	11B/20	4/9 Supplemental Restraint System (SRS) 4/28 Transmission Control Module (TCM) 4/46 Engine Control Module (ECM)	- - -	10
F21	11B/21	9/43 Heated windshield washer nozzle, left 9/44 Heated windshield washer nozzle, right	- -	10
F22	11B/22	2/133 Relay vacuum pump	-	5
F23	11B/23	3/111 Light Switch Module (LSM)	-	5
continues				

Fuses

Distribution box in engine compartment F27-F36



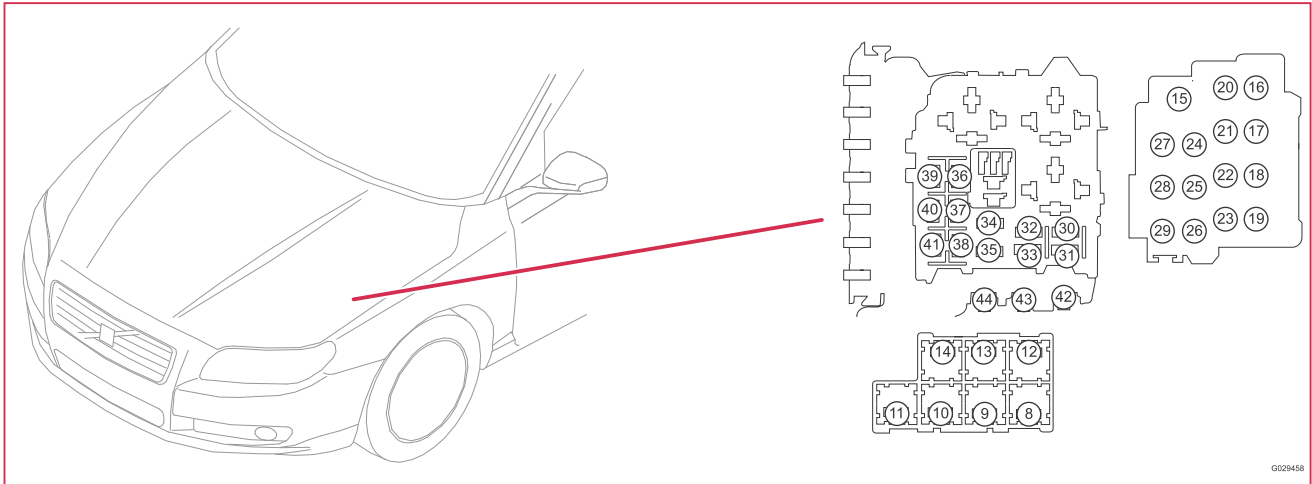
G029458

15/31 Distribution box in engine compartment

No.	No.	Fuse function	via	A	
F27	11B/27	2/31 Relay, 15-feed	-	5	
F28	11B/28	2/64 Relay auxiliary lights	-	20	
		10/65 Auxiliary light, front right	2/64		
		10/69 Auxiliary light, front left	2/64		
F29	11B/29	2/17 Relay, horn	-	15	
		16/10 Horn 1	2/17		
		16/11 Horn 2	-		
F30	11B/30	2/32 Main relay, engine management system	-	10	
		4/46 Engine Control Module (ECM)	-		
F31	11B/31	4/28 Transmission Control Module (TCM)	-	15	
F32	11B/32	8/3 Electromagnetic clutch, climate control system	2/22	15	
F33	11B/33	2/22 Relay, climate control system	-	5	
F34	11B/34	6/25 Starter motor	2/35	30	
F35	11B/35	4/109 Control module glow plug, 5-Cyl. Diesel	-	10	
		20/3-6 Spark plug with ignition coil, 4-Cyl. Turbo	-		
		20/3-8 Spark plug with ignition coil, 6-Cyl. Turbo	-		20
		20/16 Capacitor, 6-Cyl. Turbo	-		
F36	11B/36	4/46 Engine Control Module (ECM), 5-Cyl. Diesel	-	15	
		4/46 Engine control module (ECM), 4-Cyl. Turbo & 6-Cyl. Turbo	-	10	
continues					

Fuses

Distribution box in engine compartment F37-F38

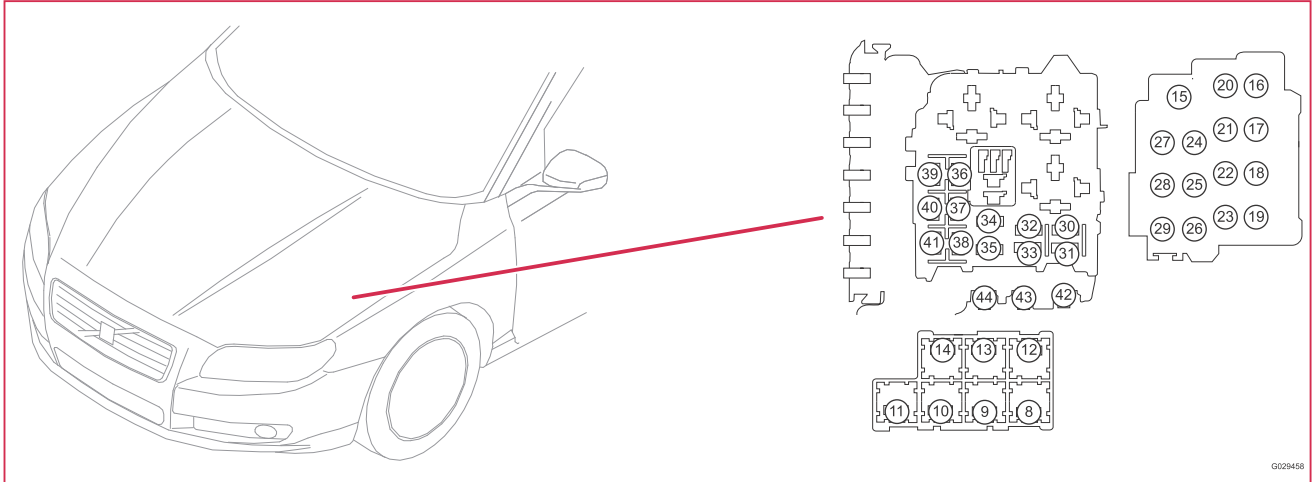


15/31 Distribution box in engine compartment

No.	No.	Fuse function	via	A	
F37	11B/37	7/17	Mass air flow sensor MAF, 5-Cyl. Diesel	-	15
		8/98	Control valve fuel pressure, 5-Cyl. Diesel	-	
		8/111	Control valve fuel flow, 5-Cyl. Diesel	-	
		4/46	Engine Control Module (ECM), 6-Cyl. Turbo	-	
		7/17	Mass air flow sensor MAF, 6-Cyl. Turbo	-	
		8/6-11	Injection valves, 6-Cyl. Turbo	-	
F38	11B/38	7/17	Mass air flow sensor MAF, 4-Cyl. Turbo	-	10
		8/18	EVAP valve, 4-Cyl. Turbo	-	
		8/19	Solenoid, variable valve timing, intake, 4-Cyl. Turbo	-	
		8/28	Turbocharger control valve, 4-Cyl. Turbo	-	
		8/81	Solenoid, variable valve timing, exhaust, 4-Cyl. Turbo	-	
		7/35	Oil level sensor, 5-Cyl. Diesel	-	
		8/3	Electromagnetic clutch, climate control system, 5-Cyl. Diesel	-	
		8/113	Bypass valve, EGR cooling, 5-Cyl. Diesel	-	
		4/46	Engine Control Module (ECM), 6-Cyl. Turbo	-	
		8/3	Electromagnetic clutch climate control system, 6-Cyl. Turbo	-	
		8/28	Turbocharger control valve, 6-Cyl. Turbo	-	
		8/68	Relief valve, 6-Cyl. Turbo	-	
8/117	Solenoid, variable valve timing, intake, 6-Cyl. Turbo	-			
continues					

Fuses

Engine compartment electrical center F39-F44



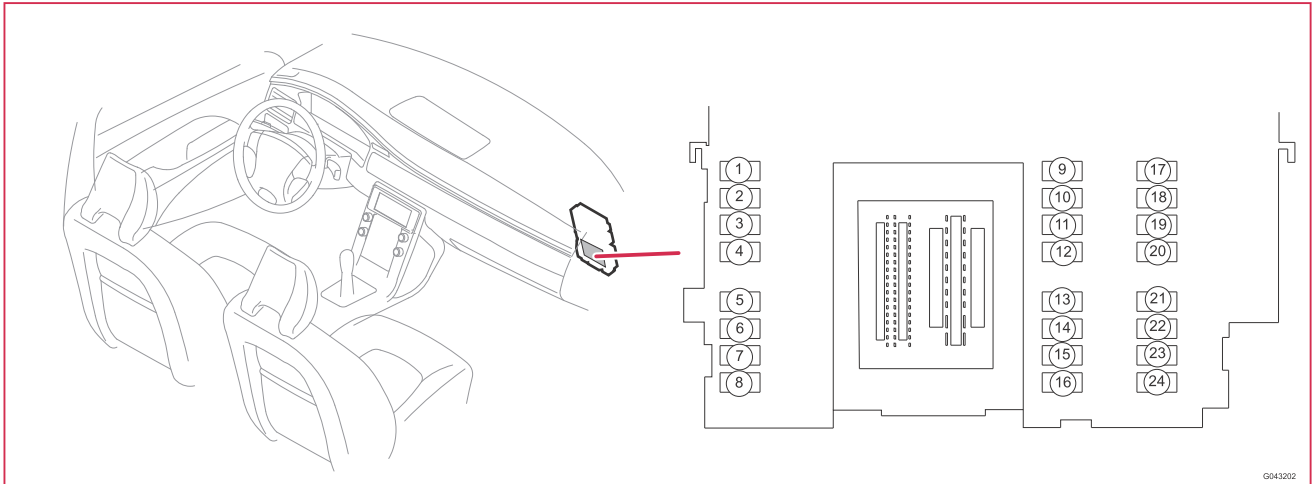
G029458

15/31 Distribution box in engine compartment

No.	No.	Fuse function	via	A	
F39	11B/39	7/15 Front heated oxygen sensor, 4-Cyl. Turbo		10	
		7/82 Rear heated oxygen sensor bank 1, 4-Cyl. Turbo			
		4/136 Radiator masking blind module (AGM)			-
		7/15 Front heated oxygen sensor, 5-Cyl. Diesel			
F40	11B/40	7/15 Front heated oxygen sensor bank 1, 6-Cyl. Turbo	-	15	
		7/82 Rear heated oxygen sensor bank 1, 6-Cyl. Turbo	-		
		8/18 EVAP valve, 6-Cyl. Turbo	-		
		2/142 Relay pre-heater fuel filter, 5-Cyl. Diesel	-		20
6/114 Vacuum pump, 4-Cyl. Turbo	2/142				
9/38 Heated fuel filter, 5-Cyl. Diesel	2/142				
F41	11B/41	6/67 Pump, fuel leakage control 6-Cyl.	-	5	
		9/32 PTC resistor crankcase ventilation, 5-Cyl. Diesel	-		
F42	11A/42	20/22-26 Glow plug, 5-Cyl. Diesel	4/109	70	
F43	11A/43	4/71 Control module cooling fan 4-Cyl. Turbo	-	60	
		4/71 Cooling fan control module, 5-Cyl. Diesel & 6-Cyl. Turbo	-	80	
F44	11A/44	6/164 Electrical power steering module (EPS)	-	100	

Fuses

Central Electronic Module (CEM) F1 - F8

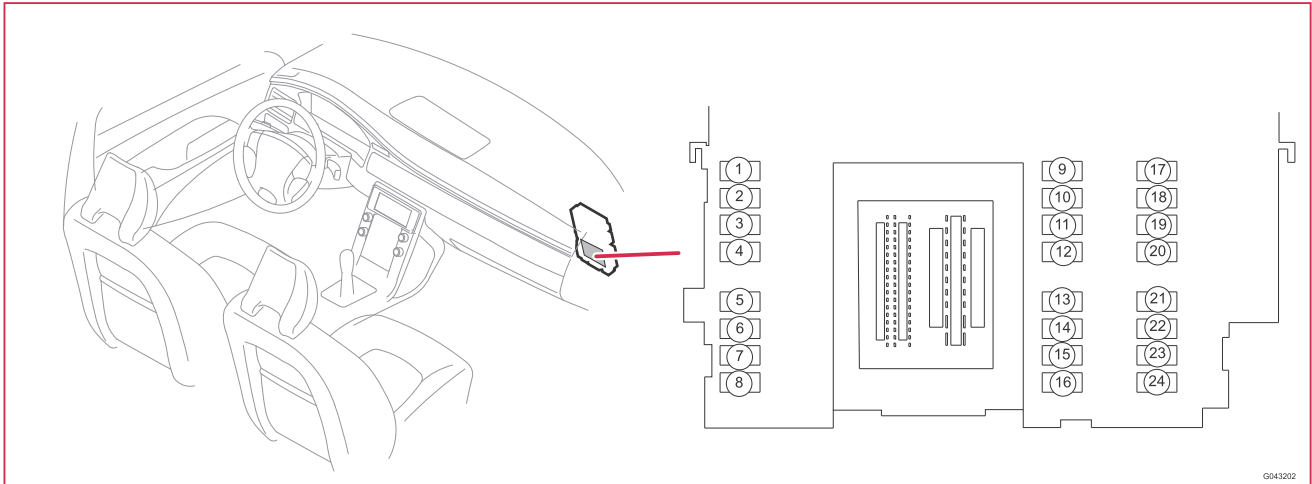


4/56 Central Electronic Module (CEM)

No.	Fuse function	via	A
F1	2/16 Relay, rear window wiper	-	15
	6/32 Rear window wiper motor	2/16	
F3	3/27 Switch unit, power passenger seat	-	7,5
	3/176 Power window switches, driver's door	-	
	4/52 Power Seat Module (PSM)	-	
	4/76 Remote control opener garage door	-	
	10/25 Ceiling light, cargo compartment	-	
	10/29 Glove compartment lighting	-	
	10/125 Left-hand front courtesy lighting	-	
	10/126 Right-hand front courtesy lighting	-	
	10/150A Rear reading light	-	
	10/150B Rear reading light	-	
	17/45 Alcolock outlet	-	
	26/6 Converter/control module, sill moldings, driver's side	-	
26/7 Converter/control module, sill moldings, passenger side	-		
26/8 Alcolock charging cradle	-		
F4	5/1 Driver Information Module (DIM)	-	5
F5	4/80 Forward Sensing Module (FSM)	-	10
	7/203 Forward-aimed radar (FLR)	-	
F6	7/149 Rain Sensor Module (RSM)	-	7,5
	10/114 Left-hand vanity mirror lighting	-	
	10/115 Right-hand vanity mirror lighting	-	
F7	3/4 Steering wheel switch left (SWSL)	3/130	7,5
	3/131 Steering wheel switch right (SWSR)	3/130	
F8	6/37 Lock motor, fuel filler cover	-	10
continues			

Fuses

Central Electronic Module (CEM) F9 - F19

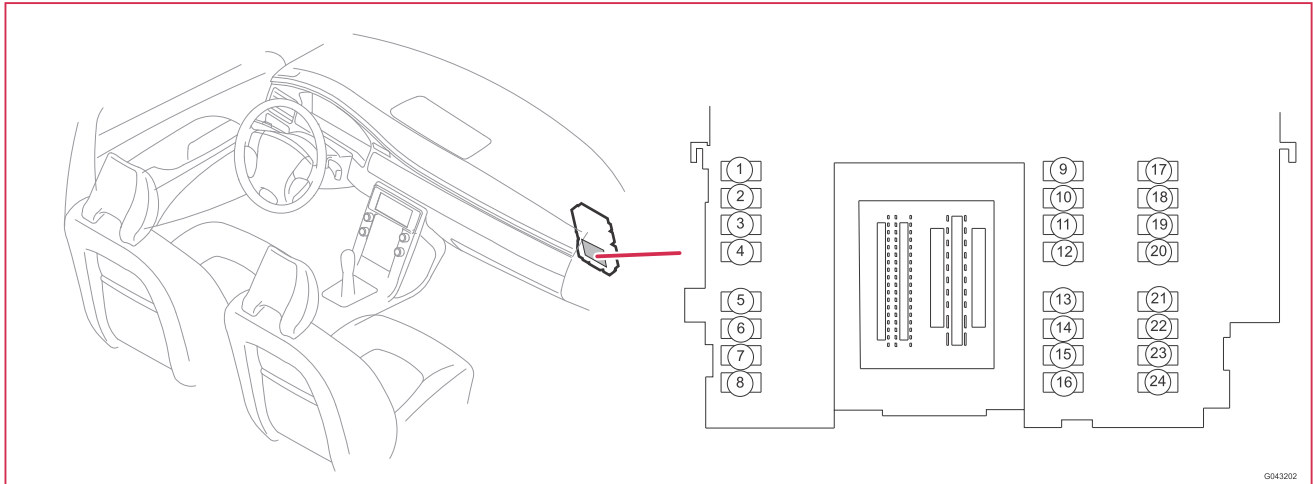


4/56 Central Electronic Module (CEM)

No.	Fuse function	via	A
F9	6/127 Washer motor	-	15
F10	6/127 Washer motor	-	15
F11	6/8 Central locking motor, trunk lid	-	10
F13	4/83 Fuel pump control module 6/33 Fuel pump	- 4/83	20
F14	4/6 Climate Control Module (CCM)	-	5
F15	4/102 Steering column lock module (SCL)	-	15
F16	16/35 Siren Control Module (SCM) 17/13 Data link connector	- -	5
F18	4/9 Supplemental Restraint System (SRS) 4/125 Closing velocity module (CVM) 7/93 Occupant Weight Sensor (OWS)	- - -	10
F19	4/80 Forward Sensing Module (FSM) 7/203 Forward-aimed radar (FLR)	- -	5
continues			

Fuses

Central Electronic Module (CEM) F20 - F24

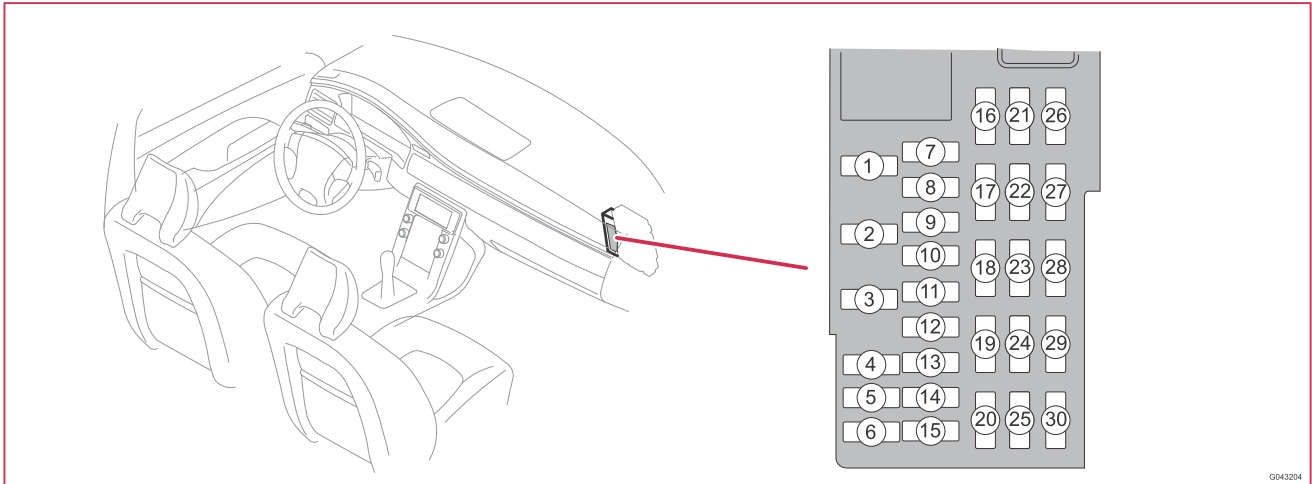


4/56 Central Electronic Module (CEM)

No.	Fuse function	via	A
F20	3/65 Switch, heated rear seat 7/51 Accelerator pedal sensor 8/48 Auto-dimming rearview mirror 9/42 PTC-element	- - - -	7,5
F21	3/281 Infotainment control module (ICM) 16/1 Integrated Audio Module (IAM) 16/159 Control module, mobile phone handsfree	- - -	15
F22	3/9 Brake light contact	-	5
F23	4/33 Sunroof Module (SRM)	-	20
F24	3/132 Start control module (SCU)	-	5

Fuses

Distribution box in passenger compartment F1 - F17



GS43204

15/36 Distribution box in passenger compartment

No.	No.	Fuse function	via	A
F1	11C/1	11C/17-19 Fuses in distribution box passenger compartment 16/105 Audio module (AUD)	- -	40
F6	11C/6	3/273 Lock contact, LH front door 3/274 Lock contact, RH front door 3/275 Lock contact, left rear door 3/276 Lock contact, RH rear door	- - - -	5
F8	11C/8	3/126 Driver door module (DDM)	-	25
F9	11C/9	3/127 Passenger door module (PDM)	-	25
F10	11C/10	3/129 Right rear door module (RDM)	-	25
F11	11C/11	3/128 Left rear door module (LDM)	-	25
F12	11C/12	4/93 Keyless vehicle module (KVM)	-	7,5
F13	11C/13	3/26 Switch unit, power driver's seat 4/52 Power Seat Module (PSM)	- -	20
F14	11C/14	3/27 Switch unit, power passenger seat	-	20
F16	11C/16	3/281 Infotainment control module (ICM)	-	5
F17	11C/17	16/36 Television module (TVM) 16/46 RTI display 16/145 Remote Digital Audio Receiver (RDAR) 16/162 Digital Audio Broadcast Module (DABM)	- - - -	10
continues				