

VOLVO

for life



VOLVO

WIRING DIAGRAM S40 (04-)/V50

TP 3978032

2005

Vehicles with SRS (Airbag)/SIPS bag/ IC (Inflatable Curtain)

Warning!

Extra caution must be exercised when working on vehicles equipped with SRS/SIPS bag/IC in order to avoid:

1. Personal injuries when performing repair work.
2. Damage or malfunction of the SRS/SIPS bag/IC system.

Work involving the SRS/SIPS bag/IC systems or other components in the vehicle that may affect the SRS/SIPS bag/IC systems must always be performed by an authorised Volvo workshop.

In case of doubt, consult the SRS and SIPS bag/IC service manual.

Is the vehicle equipped with SRS/SIPS bag/IC ?

Vehicles with SRS are most easily recognised by the letters SRS in the centre of the steering wheel. If the vehicle also has a passenger side airbag, the letters SRS are stamped on the dashboard above the glove compartment. SRS vehicles from 1993 and onward also have explosive seat belt tensioners. SIPS bags are only installed on SRS vehicles from 1995 and onward. SIPS bag decals are located on the windscreen and seat compartment. Vehicles with IC can be recognised by the letters IC on the C/D panel (4 door) or the B panel (5 door).

General recommendations

- Be especially careful when working on or around SRS, SIPS, and IC components.
- Make sure that no wires are pinched, frayed, or pierced.
- Never install accessories by the sensors.
- Where applicable, work on the steering wheel, steering shaft, or steering gear must be done in accordance with the methods in the SRS section of VADIS.
- Certain components of the aforementioned systems must be grounded while working. Read the appropriate sections in VADIS.
- Install no accessories in the areas between the A and B pillars, the B and C pillars, and the C and D pillars.

Test terminal

Data link connector in the passenger compartment.

Changes introduced up to and incl. June 2004

Any changes made to the vehicles after this date are not included in the manual. If necessary refer to service bulletins.

Volvo models are sold in versions adapted for different markets. These adaptations depend on factors such as legal requirements, taxation, and market demands.

This manual may therefore include illustrations and text that do not apply to the vehicles in your country.

Order number TP 3978032

Replaces earlier publication 3978031 on Electronic Wiring Diagram (EWD) TP 3978001
With reservation for changes

Table of Contents 1:2

Vehicles with SRS (Airbag)/SIPS bag/ IC (Inflatable Curtain).....	2
Abbreviations.....	5
How to use the wiring diagrams 1:2.....	6
Electrical distribution 1:2.....	8

Relays

Ignition switch and relays.....	10
Central electrical unit in engine compartment R1-R14	11
Central Electronic Module (CEM) R15-R18.....	12
Relays - soldered.....	13

Fuses

Engine compartment central electrical unit F1-F8	14
Engine compartment central electrical unit F9-F18	15
Engine compartment central electrical unit F20-F32	16
Engine compartment central electrical unit F33-FH1....	17
Central Electronic Module (CEM) F43-F52.....	18
Central Electronic Module (CEM) F53-F66.....	19
Central Electronic Module (CEM) F68-F86.....	20
Battery, PF1-PF2.....	21

Ground connections

Overview.....	22
31/3 - 31/10	23
31/11 - 31/66	24
31/67 - 31/84	25
31/88 - 31/114	26
31/115 - Ground connections in chassis.....	27

Control modules

Overview of locations.....	28
Overview of designations.....	29
Central Electronic Module (CEM) 1:2	30
Data communication Low speed CAN 1:2.....	32
Data communication LIN 1:2	34
Data communication High speed CAN	36
Data communication MOST	37
Start Control Module (SCU).....	38
Accessory Electronic Module (AEM)	39

Group 23 Fuel system

Engine management system, 4-CYL 1.8l 1:2	40
Engine management system, 5-CYL 1:2.....	42
Engine management system, 5-CYL Turbo 1:2.....	44
Engine management system Diesel 1:2	46
Emission control 4-CYL 1.8l	48
Emission control, 5-CYL	49
Emission control, 5-CYL Turbo.....	50

Group 26 Cooling system

Cooling fan.....	51
Cooling fan Diesel.....	52

Group 27 Engine control

Cruise control.....	53
Cruise control, Diesel.....	54

Group 32 Generator and voltage regulator

Power supply	55
Power supply, Diesel	56

Group 33 Starting system

Starting system	57
Starting system, Diesel	58

Group 35 Lighting

High and low beam	59
High and low beam (Bi-Xenon).....	60
Manual beam length adjustment.....	61
Automatic headlamp levelling (Bi-Xenon)	62
Position/Parking lights, Tail lights	63
Position/Parking lights, Tail lights (Bi-Xenon)	64
Fog lights	65
Fog lights LHD, Japan	66
Brake lights	67
Reversing lights	68
Follow-me-home lighting.....	69
Interior lighting 1:2	70
Instrument and control illumination	72
Auxiliary light.....	73

Group 36 Additional electrical equipment

Rain Sensor	74
Direction indicators and flashing hazard lights	75
Direction indicators and flashing hazard lights (Bi-Xenon)	76
Windscreen wiper/washer.....	77
Headlamp washer.....	78
Wiper/washer, rear window.....	79
Horn	80
Immobilizer/Control module steering column lock (SCL)	81
Keyless Vehicle 1:2	82
Parking assistance, rear	85
Parking assistance, front.....	86
Accessory Electronic Module (AEM).....	87

Group 37 Wiring and fuses

Diagnostics system.....	88
12V outlet.....	89
Towbar cable harness, 4-pin.....	90
Towbar cable harness, 7-pin.....	91
Towbar cable harness, 13-pin	92

Group 38 Instruments

Seat belt reminder	93
Driver information module.....	94

Group 39 Other

Multimedia & Traffic information	95
Audio 1:2.....	96
Mobile phone 1:2	98
Subwoofer.....	100
Handsfree	101

Table of Contents 2:2

Group 43 Transmission

Automatic transmission AW55-51.....	102
Shift interlock.....	103
Transmission M66.....	104

Group 59 Brake system

Brake control system.....	105
Brake control system & STC.....	106
Brake control system & DSTC.....	107

Group 64 Steering

Electronic power steering.....	108
--------------------------------	-----

Group 83 Doors and openings

Central locking, front doors.....	109
Central locking, rear doors.....	110
Central locking, boot lid/tailgate.....	111
Child safety lock.....	112
Central locking, fuel filler flap.....	113
Signal receiver, remote-control, central locking.....	114
Power windows, front doors.....	115
Power windows, rear doors.....	116
Power sunroof.....	117

Group 84 Exterior decorative elements, etc.

Power door mirrors.....	118
Heated door mirrors.....	119
Heated rear window.....	120

Group 85 Interior equipment

Power driver's seat with memory function, LHD.....	121
Power driver's seat with memory function, RHD.....	122
Power driver's seat.....	123
Power passenger seat.....	124
Heated seats.....	125

Group 87 Climate controls

Climate control system 4-CYL 1.8l 1:2.....	126
Climate control system 1:2.....	128
Climate control system Diesel 1:2.....	130
Climate control system PTC element.....	132
Parking heater, auxiliary heater.....	133
Relay, electric engine heater.....	134

Group 88 Internal equipment

Auto-dimming rearview mirror.....	135
Supplemental Restraint System (SRS) 1:2.....	136

Connectors..... 138

Branching points160

Cable harnesses' routing in the vehicle

Harness engine, Petrol 4-CYL.....	169
Harness engine, Petrol 5-CYL.....	169
Harness engine, Petrol 5-CYL, Turbo.....	170
Harness engine, Diesel.....	170
Harness engine compartment, 4-CYL.....	171
Harness engine compartment, 5-CYL & Turbo.....	171
Harness engine compartment, Diesel.....	172
Harness Dashboard.....	172
Harness Infotainment.....	173
Harness Floor S40.....	174
Harness Floor V50.....	175
Harness Ceiling S40.....	176
Harness Ceiling V50.....	176
Harness Tunnel.....	177
Harness Driver's door.....	178
Harness Passenger door.....	178
Harness Rear door, right.....	179
Harness Rear door, left.....	179
Harness Boot lid/Tailgate, S40.....	180
Harness Tailgate, V50.....	180

Component illustrations181

Index 224

List of components 1:4

Explanations

Abbreviations

Groups

Group 23	= Fuel system
Group 26	= Cooling system
Group 27	= Engine controls
Group 32	= Generator and voltage regulator
Group 33	= Starting system
Group 35	= Lighting
Group 36	= Additional electrical equipment
Group 37	= Wiring and fuses
Group 38	= Instruments
Group 39	= Other
Group 43	= Transmission
Group 59	= Brake system
Group 64	= Steering
Group 83	= Doors and openings
Group 84	= Exterior decorative elements, etc.
Group 85	= Interior equipment
Group 87	= Climate controls
Group 88	= Internal equipment

Ignition switch symbols

X	= Accessories (audio position)
S	= Powered upon insertion of key
15	= Contact remains connected during start
15l	= Contact is broken while starting
30	= Constant power from the battery
50	= Start

Countries/Markets

A	= Austria
AUS	= Australia
B	= Belgium
CDN	= Canada
CH	= Switzerland
D	= Germany
DK	= Denmark
E	= Spain
EU/OS	= Markets outside USA and Canada
FIN	= Finland
GB	= Great Britain
ISR	= Israel
Y	= Japan
KOR	= Korea
N	= Norway
NL	= Netherlands
S	= Sweden
USA	= United States of America
WEU	= Western Europe

Other

AUTO	= Automatic transmission
AWD	= Four-wheel drive
CAN	= CAN communication
DIESEL	= Diesel
DPY	= Display
ECC	= Electronic climate control system
ETA	= Engine throttle body
EXT. X	= Extended X-feed
GDL	= Gas discharge lamp
HISPEED	= High speed data bus
IR	= IR sensor
LIN	= LIN communication
LHD	= Left-hand drive
LOSPEED	= Low speed data bus
MAN	= Manual transmission
MEMORY	= Memory driver's seat
MMS	= Mass Movement Sensor
PETROL	= Petrol
RHD	= Right-hand drive
SCR	= Screen
SRS	= Airbag
T	= Turbocharged engine
W/O	= Without
2WD	= Two-wheel drive
4-CYL	= 4-cylinder engine
5-CYL	= 5-cylinder engine

Colors

BK, SB	= Black
BN	= Brown
BU, BL	= Blue
GN	= Green
GY, GR	= Grey
LGN	= Light Green
OG, OR	= Orange
PK, P	= Pink
RD, R	= Red
VT, VO	= Violet
WH, W	= White
YE, Y	= Yellow

How to use the wiring diagrams 1:2

The descriptions below apply in general to all wiring diagram manuals, although not all sections are necessarily contained in this manual.

A. Component designation

Every component has a component designation that consists of two parts.

The first part is a type number that describes the type of component in question, for example 3/xx.

The second part of the designation is a serial number, e.g. x/2.

Together, this constitutes a component designation, e.g. 3/2.

At the end of the manual is a list of components, where, with the help of the component designation, you can read off the name of the component, for example, 3/2 = light switch.

List of type numbers

The list shows which type of component that respective type numbers refer to, for example, 3/x = switch, 6/x = electric motor, etc.

1	Battery
2	Relay
3	Switch
4	Control module
5	Driver information module
6	Electric motor
7	Sensor
8	Actuator
9	Heating element
10	Lamp
11	Fuse
15	Electrical distribution rail/ Central electrical unit
16	Audio
17	Service/diagnostics
18	Contact reel
19	Meter
20	Ignition component/shunt
27	Optics
31	Ground connection
63	Branching point
64	Connector

B. Branching points

The wiring diagrams contain numbered branching points, e.g. 63/352.

This manual contains a section with a list of branching points. This list shows all the components that are connected to each branching point.

The location of the branching points is shown in the "Cable harness routing in vehicle" section.

C. Connectors

Connectors provide a bridge between two cable harnesses and are described in the "Connectors" section.

D. Electrical distribution

Operation of the fuses and relays is shown in the "Electrical distribution" section.

E. Data communication

Today's cars contain CAN and MOST networks that transfer information. Connections to these networks are not shown in their entirety in the respective wiring diagram. Complete information on CAN and MOST communication is found in the section "Control modules".

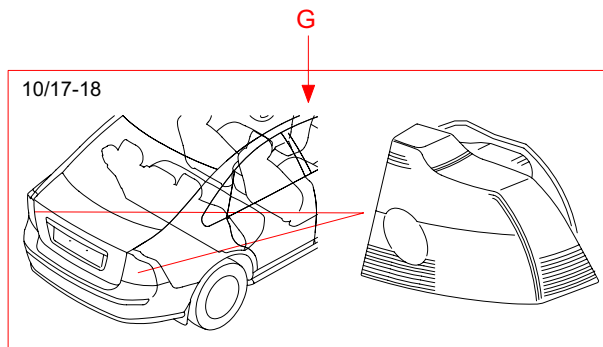
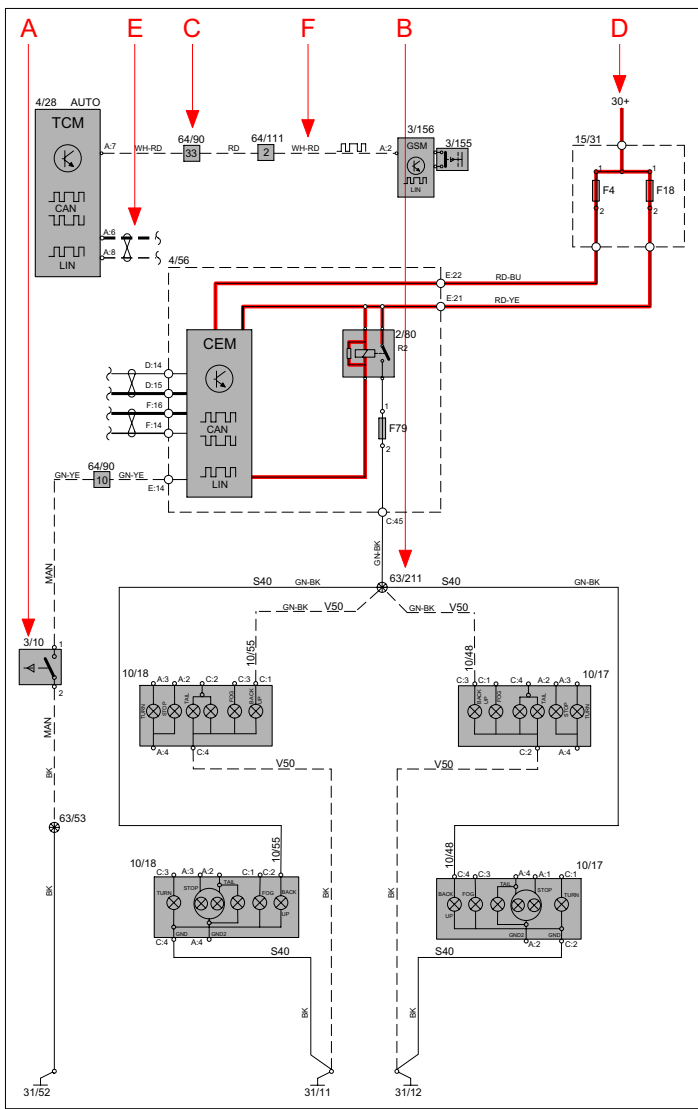
F. Abbreviations

A number of different abbreviations are used in the manual. These are explained in the section "Abbreviations".


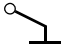
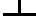
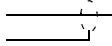

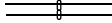

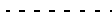
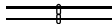

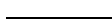


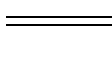


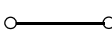


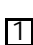
G. Component location

There is a section at the end of the manual in which the appearance and location of components is described in numerical order.

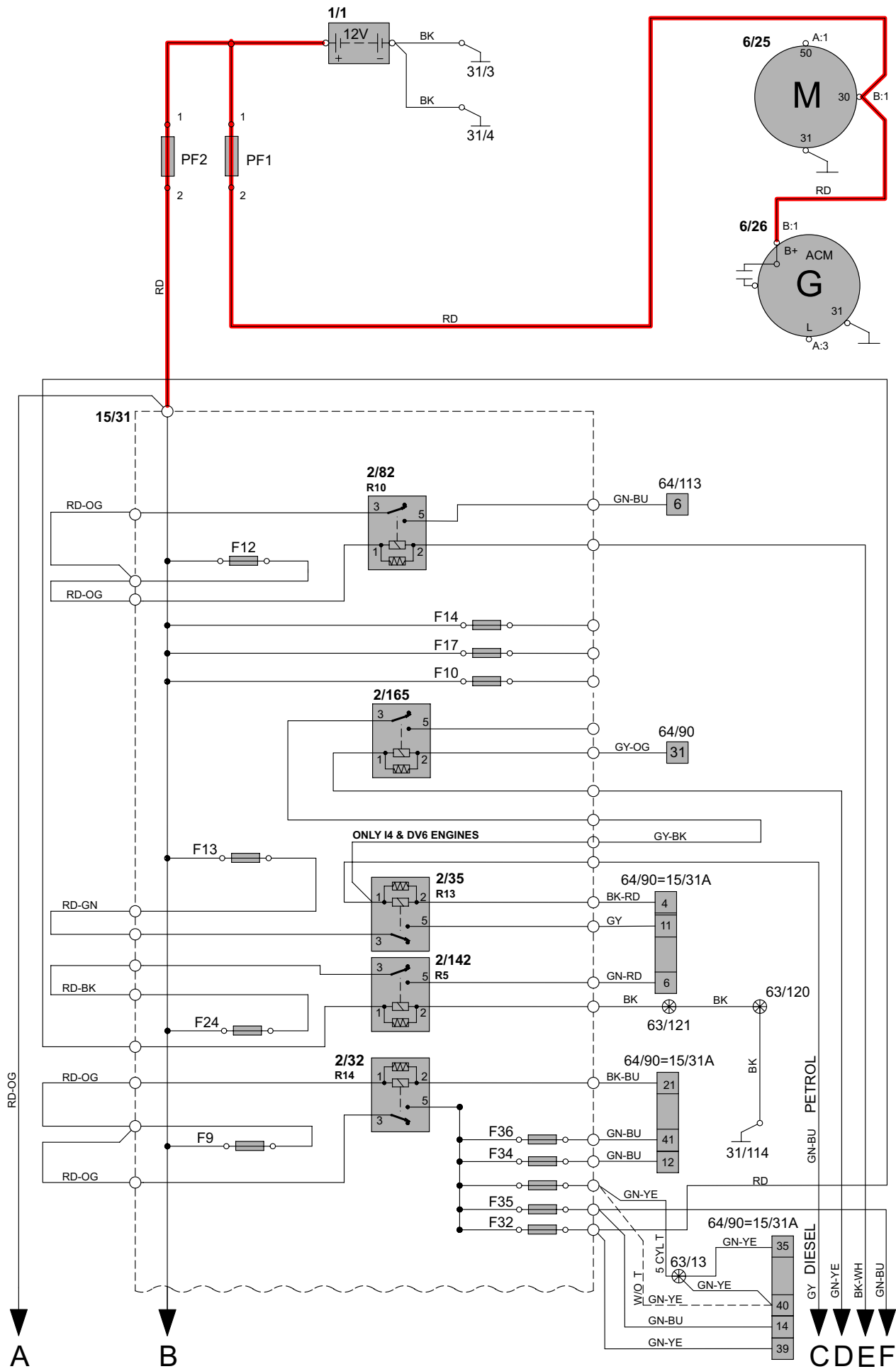
How to use the wiring diagrams 2:2



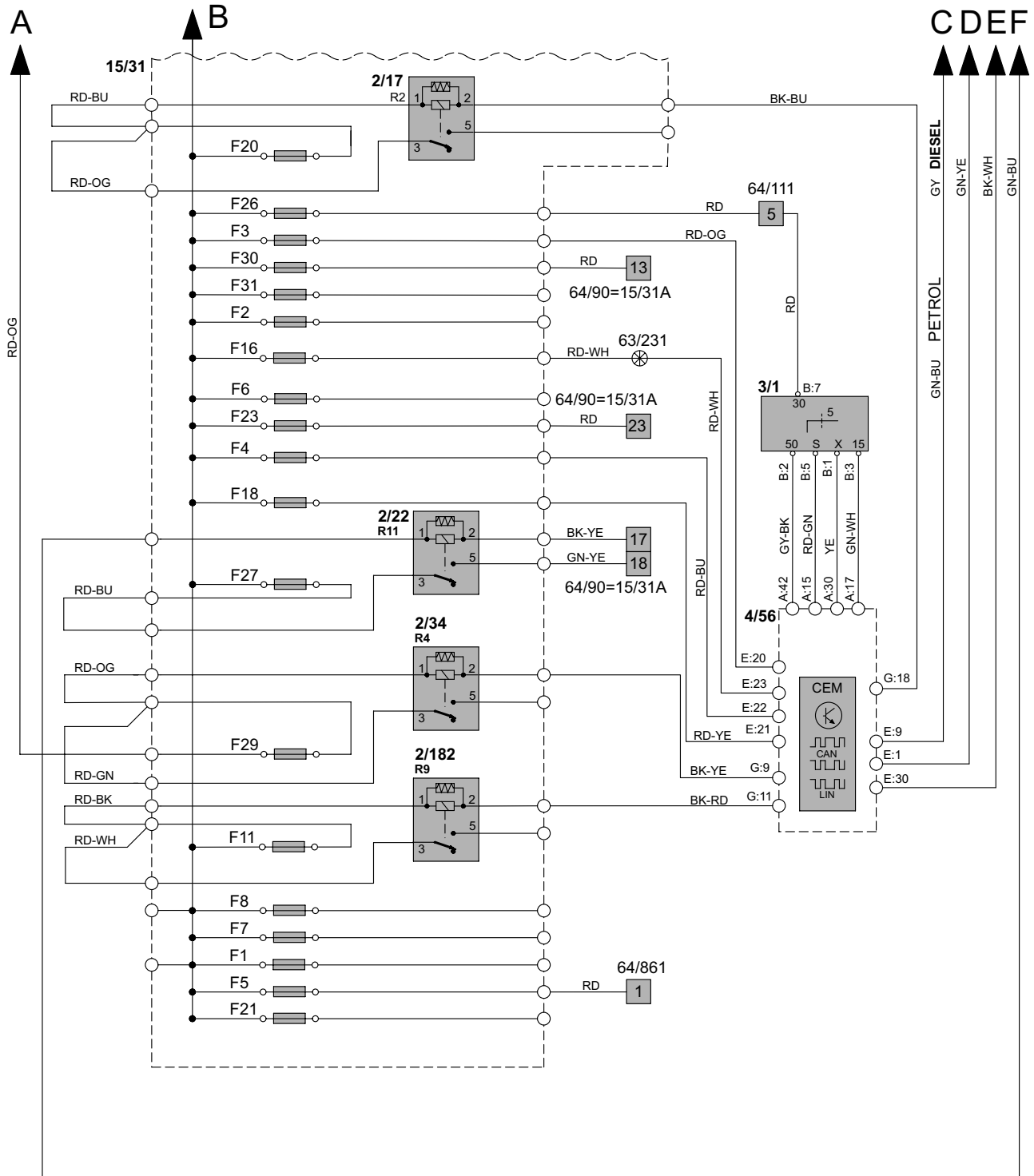
List of symbols

-  = System voltage
-  = Ground connection via wiring
-  = Ground connection on component/chassis
-  = Screened wire
-  = Branching point
-  = Twisted cable
-  = Electrical connection
-  = Variant
-  = CAN communication
-  = CAN high data signal (CAN H)
-  = CAN low data signal (CAN L)
-  = MOST communication
-  = LIN communication
-  = DIN cable, coaxial cable, etc.
-  = Data communication
-  = CAN communication
-  = Connection with central electrical unit
-  = Further connection to...
-  = Connector between cable harnesses
-  = Connector connected to component

Electrical distribution 1:2 Overview

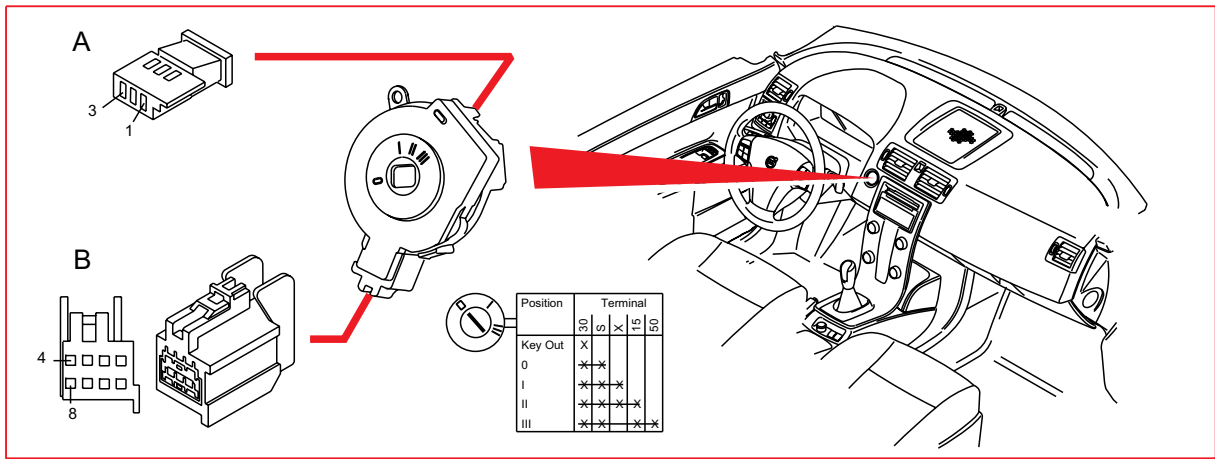


Electrical distribution 2:2 Overview



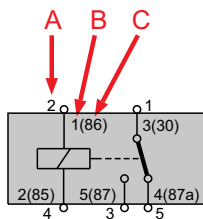
Relays

Ignition switch and relays



Relays, general

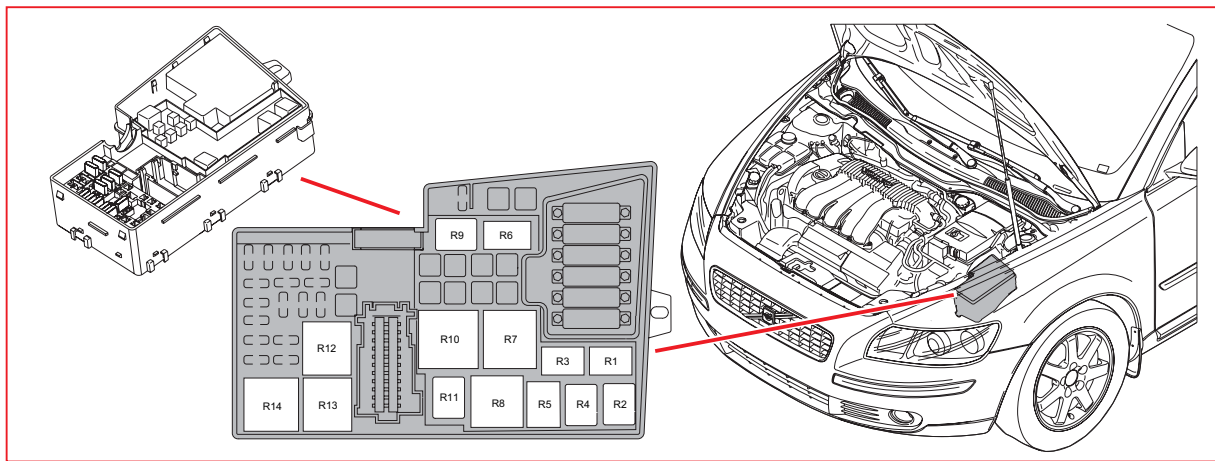
The diagram indicates two or three different designations for the relay's position. This is described below.



- A = Corresponds to the position on the back of the relay box (wiring side)
- B = Corresponds to the position on the relay.
- C = An old designation that may be found on the relay.

Relays

Central electrical unit in engine compartment R1-R14

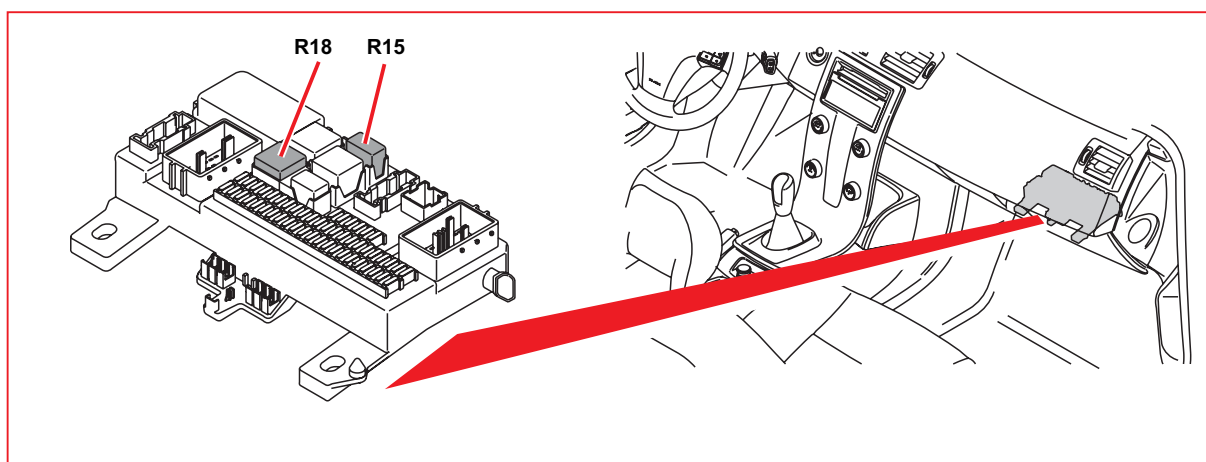


15/31 Engine compartment central electrical unit

Pos	Relay function
R1	2/165 Relay immobilizer
R2	2/17 Relay, horn
R4	2/34 Relay, front fog lights
R5	2/142 Relay, pre-heater, fuel filter
R8	2/159.2 Relay, infotainment, extra
R9	2/182 Relay, headlamp washer motor
R10	2/82 Relay, heated rear window
R11	2/22 Relay, climate control system
R13	2/35 Relay, starter motor
R14	2/32 Main relay, engine management system

Relays

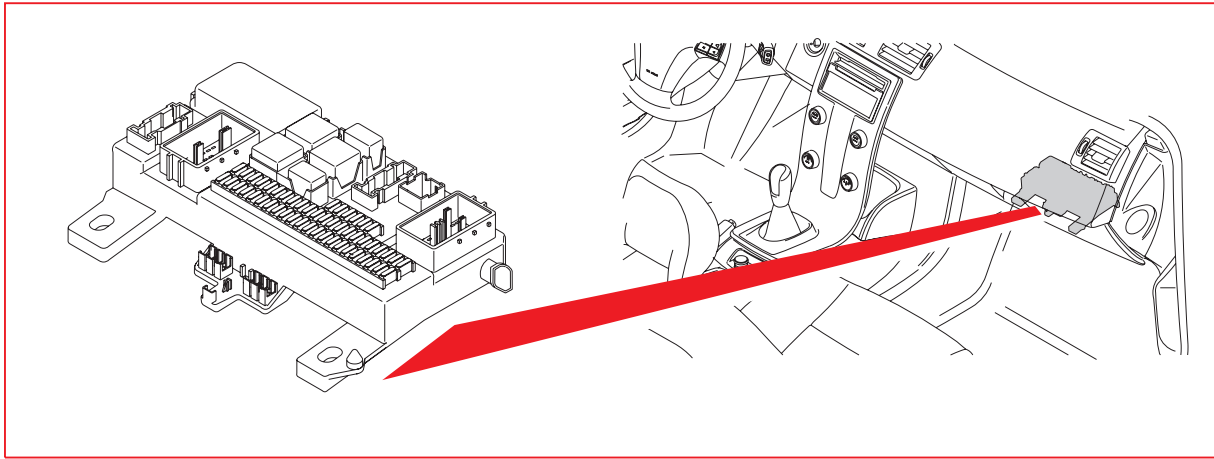
Central Electronic Module (CEM) R15-R18



4/56 Central Electronic Module (CEM)

Pos	Relay function
R15	2/23 Fuel pump relay, petrol
R18	2/193 Relay, comfort functions

Relays - soldered Central Electronic Module (CEM) R1 - R11B

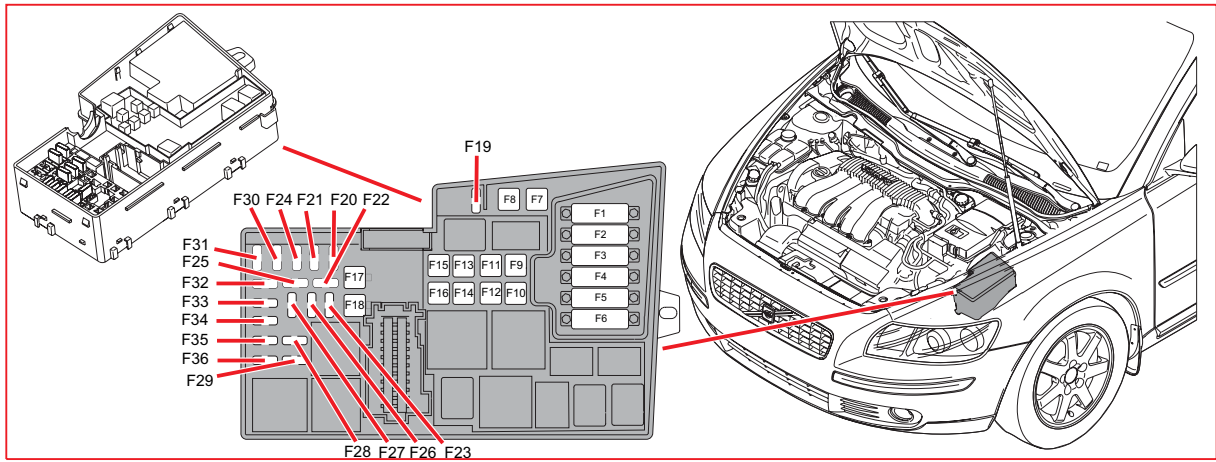


4/56 Central Electronic Module (CEM)

Pos	Relay function	
R1	2/89	Relay, interior lighting
R2	2/80	Relay, reversing lights
R7A	2/92	Relay, windscreen washer motor
R7B	2/93	Relay, rear window washer motor
R8	2/63	Relay, high beam
R11A	2/16	Relay, rear window wiper
R11B	2/159	Relay, infotainment

Fuses

Engine compartment central electrical unit F1-F8

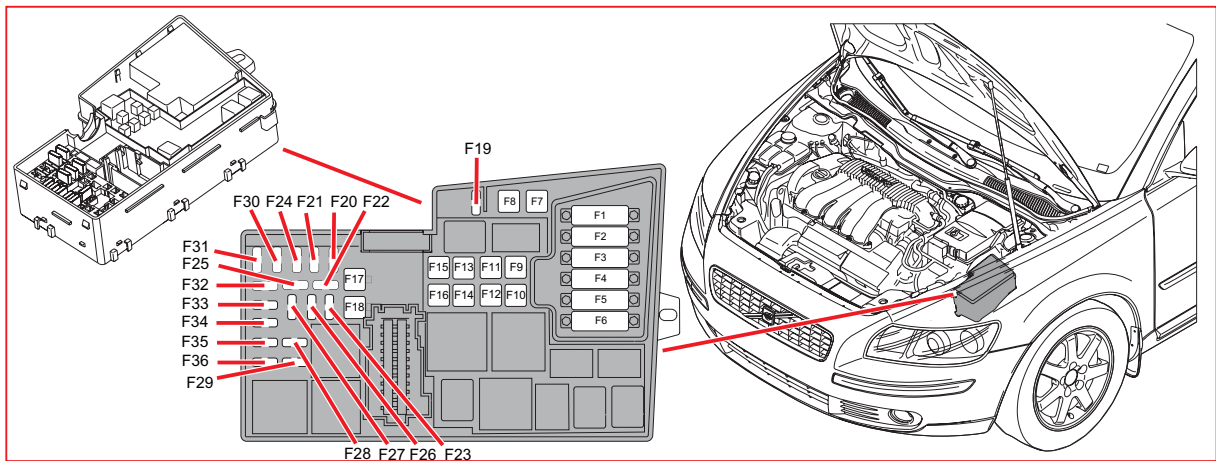


15/31 Engine compartment central electrical unit

No.	Fuse function	via	A
F1	4/71 Cooling fan control module	-	50
F2	6/71 Electrical Power Steering Module (EPS)	-	80
F3	2/193 Relay, comfort functions F45 Fuse in the Central Electronic Module (CEM) F48-F49 Fuses in the Central Electronic Module (CEM) F60-F61 Fuses in the Central Electronic Module (CEM) F62-F63 Fuses in the Central Electronic Module (CEM) F68-F69 Fuses in the Central Electronic Module (CEM) F80-F82 Fuses in the Central Electronic Module (CEM) F84-F85 Fuses in the Central Electronic Module (CEM)	- 2/193 2/193 2/193 - 2/193 - -	60
F4	2/63 Relay, high beam F55 Fuses in the Central Electronic Module (CEM) F58-F59 Fuses in the Central Electronic Module (CEM) F74 Fuses in the Central Electronic Module (CEM) F77 Fuses in the Central Electronic Module (CEM)	- - 2/63 - -	60
F5	9/41 PTC element, Diesel	-	80
F6	4/109 Glow plug control module	-	60
F7	4/16 Brake Control Module (BCM), pump	-	30
F8	4/16 Brake Control Module (BCM), valves	-	20
continues			

Fuses

Engine compartment central electrical unit F9-F18

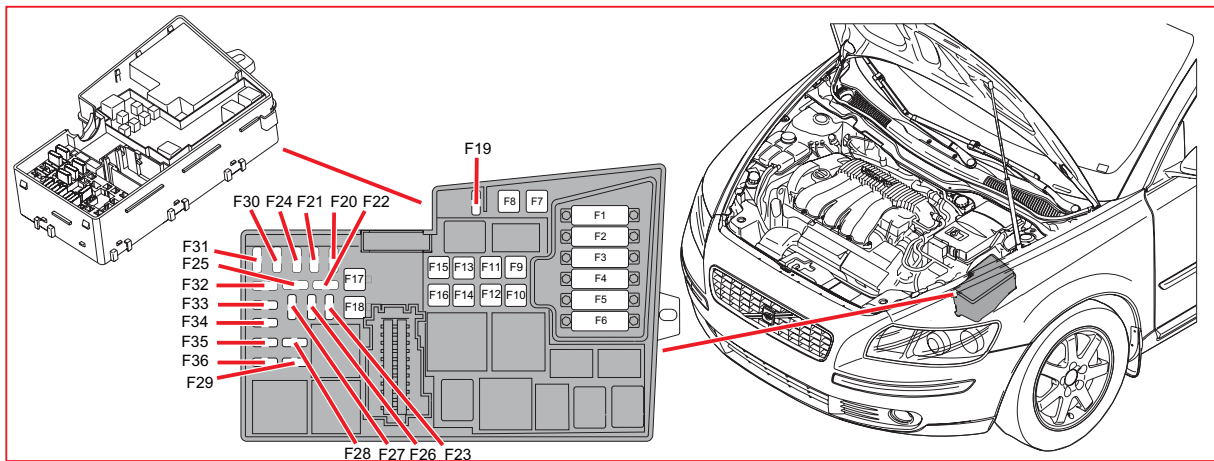


15/31 Engine compartment central electrical unit

No.	Fuse function	via	A
F9	2/32 Main relay, engine management system F32-F36 Fuses in the engine compartment central electrical unit	- 2/32	30
F10	4/31 Fan control module	-	40
F11	6/104 Pump, high pressure headlamp washer	2/182	20
F12	2/82 Relay, heated rear window 9/2 Heated rear window	- 2/82	30
F13	6/25 Starter motor	2/35	30
F14	4/110 Trailer Module (TRM)	-	40
F16	2/159 Relay, infotainment 16/105 Audio Control Module (AUD) F43 Fuse in the Central Electronic Module (CEM) F64 Fuse in the Central Electronic Module (CEM) F65-F67 Fuses in the Central Electronic Module (CEM)	- - - - 2/159	30
F17	6/1 Wiper Motor Module (WMM)	-	30
F18	2/80 Relay, reversing lights 2/89 Relay, interior lighting 4/56 Central Electronic Module (CEM) F46-F47 Fuses in the Central Electronic Module (CEM) F56-F57 Fuses in the Central Electronic Module (CEM) F79 Fuse in the Central Electronic Module (CEM) F81-F83 Fuses in the Central Electronic Module (CEM) F86 Fuse in the Central Electronic Module (CEM)	- - - 2/89 - 2/80 - 2/89	40
continues			

Fuses

Engine compartment central electrical unit F20-F32

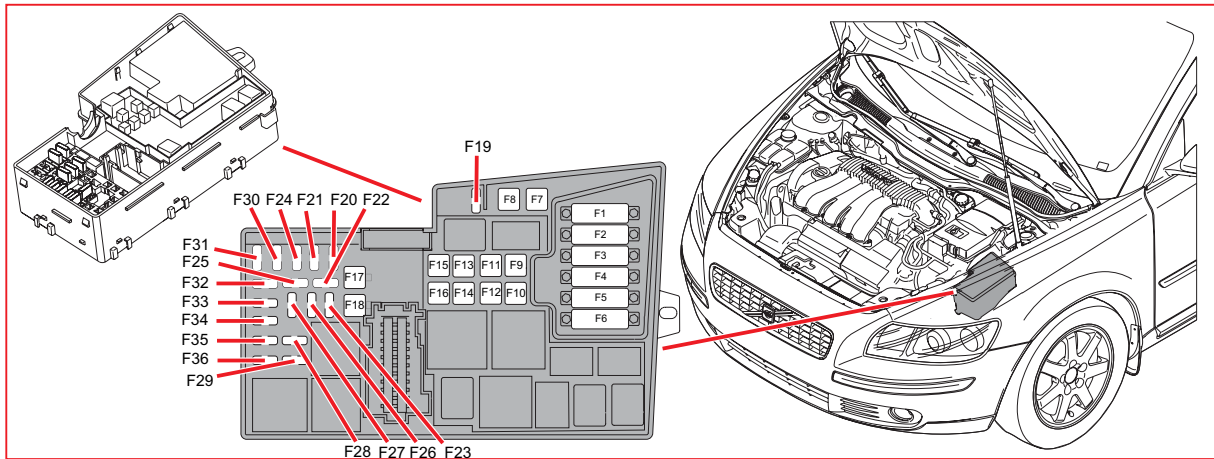


15/31 Engine compartment central electrical unit

No.	Fuse function	via	A
F20	2/17 Relay, horn 16/10 Horn 1 16/11 Horn 2	- 2/17 2/17	15
F21	4/7 Combustion Preheater Module (CPM)	-	20
F22	16/79 Subwoofer Module (SUB)	2/159	15
F23	4/28 Transmission Control Module (TCM) 4/46 Engine Control Module (ECM)	- -	10
F24	9/38 Heated fuel filter, Diesel	2/142	20
F26	2/35 Relay, starter motor 3/1 Start Control Module (SCU) 4/46 Engine Control Module (ECM) 4/56 Central Electronic Module (CEM) F44 Fuse in the Central Electronic Module (CEM) F51-F54 Fuses in the Central Electronic Module (CEM) F73 Fuse in the Central Electronic Module (CEM)	3/1 4/56 3/1 3/1 3/1 3/1 3/1	15
F27	8/3 Electromagnetic clutch, climate control system	2/22	10
F28	3/112 Climate Control Module (CCM) 16/108 Multimedia Module (MMM)	- 2/159	10
F29	2/34 Relay, front fog lights 10/5 Fog light, front left 10/6 Fog light, front right	- 2/34 2/34	15
F30	4/46 Engine Control Module (ECM), Diesel	-	3
F31	6/26 Generator, Diesel	-	10
F32	2/142 Relay, pre-heater, fuel filter 7/15 Heated oxygen sensor, front 8/6-8/10 Injectors, Petrol 8/121 Valve coolant	-	10
continues			

Fuses

Engine compartment central electrical unit F33-FH1

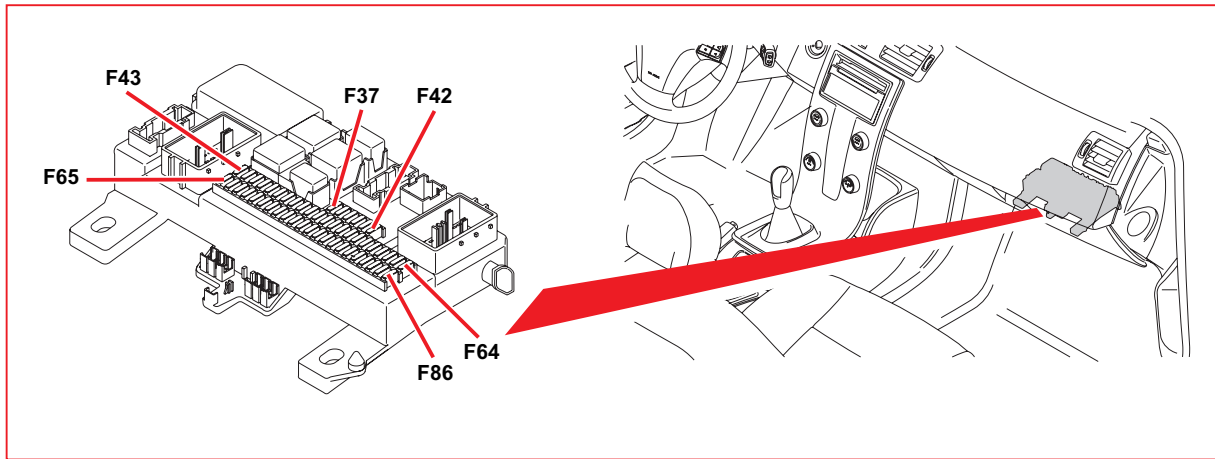


15/31 Engine compartment central electrical unit

No.	Fuse function	via	A
F33	6/114 Vacuum pump	8/84	20
	7/15 Heated oxygen sensor, front	-	
	7/82 Heated oxygen sensor, rear	-	
	7/186 Heated oxygen sensor, rear	-	
	7/187 Heated oxygen sensor centre	-	
F34	4/46 Engine Control Module (ECM)	8/119	10
	8/77 Control valve, fuel volume, Diesel	-	
	20/3 -20/7 Spark plug and ignition coil	-	
	9/32 PTC resistor, oil trap	-	
F35	2/22 Relay, climate control system	-	15
	6/67 Pump, fuel leakage control	-	
	7/17 Mass airflow sensor (MAF)	-	
	7/192 Water detection sensor	-	
	8/6 Injection valves	-	
	8/7 Injection valves	-	
	8/8 Injection valves	-	
	8/9 Injection valves	-	
	8/18 EVAP valve	-	
	8/19 Solenoid, variable valve timing, intake	-	
	8/28 Turbocharger control valve	-	
	8/81 Solenoid, variable valve timing outlet	-	
	8/68 Bypass valve, Diesel	-	
	8/82 Solenoid, variable turbo geometry, Diesel	-	
8/114 Valve mixing air/fuel	-		
8/132 Control valve, intake, Diesel	-		
9/32 PTC-resistor air preheating	-		
F36	4/46 Engine Control Module (ECM)	-	10
	7/51 Accelerator pedal sensor	-	
FH1	10/65 Auxiliary light, front right	2/64	20
	10/69 Auxiliary light, front left		

Fuses

Central Electronic Module (CEM) F43-F52



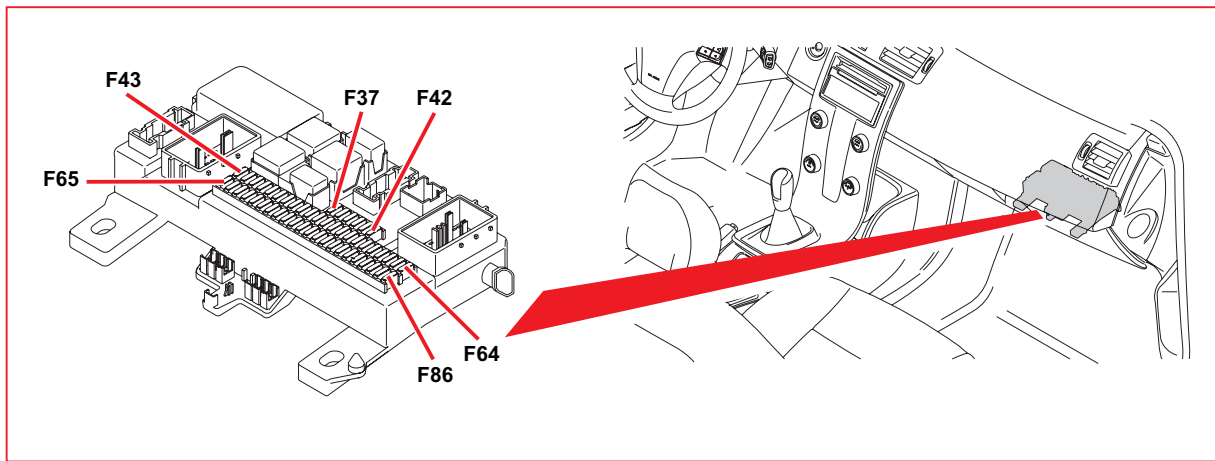
4/56 Central Electronic Module (CEM)

No.	Fuse function	via	A
F43	16/46 RTI Display 16/60 Phone Module (PHM) 16/107 Media Player Module (MPM)	- - -	15
F44	4/9 Supplemental Restraint System Module (SRS)	-	10
F45	9/1 Front 12V outlet 9/25 Rear 12V outlet	- -	15
F46	3/111 Switch unit, lights 5/1 Driver Information Module (DIM) 10/29 Glove compartment lighting 10/97 Courtesy lighting, left 10/102 Courtesy lighting, right	- - - - -	5
F47	10/22 Ceiling light 10/150 Rear reading light 10/114 Vanity mirror lighting, left 10/115 Vanity mirror lighting, right	- - -	5
F48	2/16 Relay, rear window wiper 2/92 Relay, windscreen washer motor 2/93 Relay, rear window washer motor 6/2 Washer pump 6/2 Washer pump 6/32 Rear window wiper motor	- - - 2/92 2/93 2/16	15
F49	4/9 Supplemental Restraint System Module (SRS) 7/93 Occupant Weight Sensor (OWS), USA/CDN	- -	10
F51	10/1 Lamp housing, front left, beam length adjustment 10/2 Lamp housing, front right, beam length adjustment 4/112 Control module, gas discharge lamp master, left 4/113 Control module, gas discharge lamp slave, right 9/41 PTC element, Diesel	4/112 4/113 - - -	10
F52	4/16 Brake Control Module (BCM)	-	5

continues

Fuses

Central Electronic Module (CEM) F53-F66

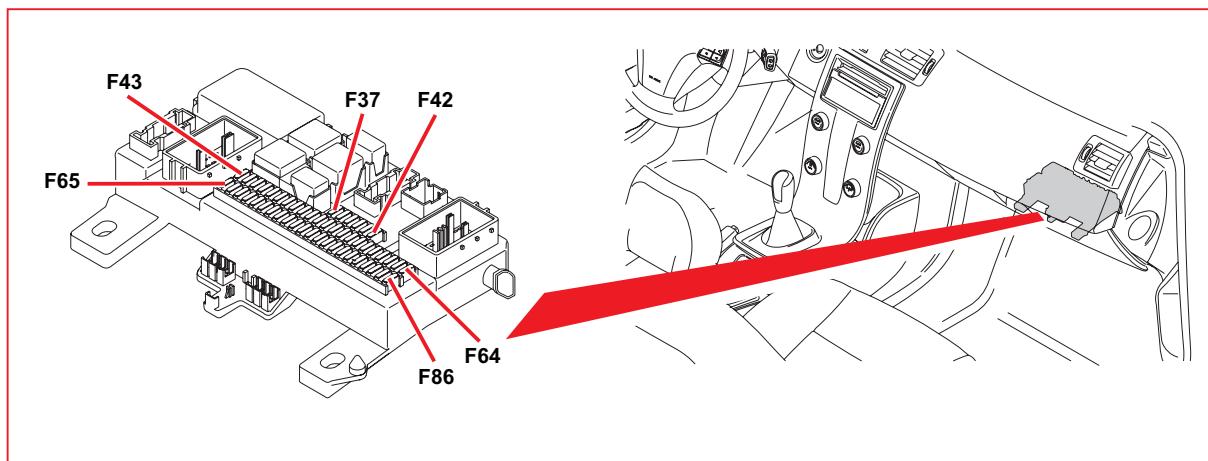


4/56 Central Electronic Module (CEM)

No.	Fuse function	via	A
F53	6/71 Electrical Power Steering Module (EPS)	-	10
F54	4/28 Transmission Control Module (TCM) 6/26 Generator	- -	10
F55	4/93 Keyless Vehicle Module (KVM)	-	20
F56	16/35 Siren Control Module (SCM)	4/56	10
F57	4/46 Engine Control Module (ECM) 4/56 Central Electronic Module (CEM) 17/13 Data link connector	3/9 3/9 -	15
F58	2/64 Relay, auxiliary light (accessory) 4/113 Control module, gas discharge lamp slave, right 10/64 High beam, right	3/60 - -	7.5
F59	4/112 Control module, gas discharge lamp master, left 10/68 High beam, left	- -	7.5
F60	9/12 Seat Heater Module (SHM), driver's side	-	15
F61	9/13 Seat Heater Module (SHM), passenger side	-	15
F62	4/33 Sunroof control module	-	20
F63	3/129 Right Rear Door Module (RDM)	-	20
F64	16/49 Traffic Message Channel Module (TMC) 16/94 AM/FM Tuner Module (AFM) 16/139 Global Positioning System Module (GPS)	- - -	5
F65	7/182 Remote control IR sensor, RTI 16/46 RTI Display 16/105 Audio Control Module (AUD) 16/107 Media Player Module (MPM)	- - - -	5
F66	2/159 Relay, infotainment 16/1 Infotainment Control Module (ICM)	- -	10
continues			

Fuses

Central Electronic Module (CEM) F68-F86



4/56 Central Electronic Module (CEM)

No.	Fuse function	via	A
F68	3/254 Steering Wheel Module (SWM)	-	5
F69	7/149 Rain Sensor Module (RSM)	-	5
	6/48 Damper motor, recirculation	-	
	6/95 Damper motor, temperature, left-hand side	-	
	6/96 Damper motor, temperature, right-hand side	-	
	6/102 Damper motor, defroster	-	
	6/103 Damper motor, floor/ventilation	-	
	7/159 Air quality sensor	-	
F73	3/217 Belt buckle contact, left rear	-	5
	3/218 Belt buckle contact, centre rear	-	
	3/219 Belt buckle contact, right rear	-	
	4/33 Sunroof control module	-	
	8/48 Auto-dimming rearview mirror	-	
	10/22 Ceiling light	-	
F74	4/83 Fuel pump control module, petrol	2/23	15
F77	17/19 12V outlet, cargo compartment	-	15
F79	8/48 Auto-dimming rearview mirror	2/80	5
	10/48 Reversing light, right	-	
	10/55 Reversing light, left	-	
F80	-	-	5
F81	3/128 Left Rear Door Module (LDM)	-	20
F82	3/127 Passenger Door Module (PDM)	-	25
F83	3/126 Driver Door Module (DDM)	-	25
F84	3/27 Switch unit, power passenger seat	-	25
F85	3/26 Switch unit, power driver's seat	-	25
F86	3/26 Switch unit, power driver's seat	-	5
	3/27 Switch unit, power passenger seat	-	
	10/24 Cargo compartment lighting	-	