

Volvo S40 V50 2005 Wiring Diagram

Full download: <http://manualplace.com/download/volvo-s40-v50-2005-wiring-diagram/>

Start

List of components

Frame contained PDF file, click [here](#) to view

- [Vehicles with SRS \(Airbag\)/SIPS bag/IC \(Inflatable Curtain\)](#)
- [Table of contents 1:2, 2:2](#)
- [Abbreviations](#)
- [How to use the wiring diagrams 1:2, 2:2](#)
- [Electrical distribution 1:2, 2:2](#)
- [Relays](#)
 - [Ignition switch and relays](#)
 - [Distribution box in engine compartment R1-R14](#)
 - [Central Electronic Module \(CEM\) R15-R18](#)
 - [Relays – soldered](#)
- [Fuses](#)
 - [Engine compartment distribution box F1-F8](#)
 - [Engine compartment distribution box F9-F18](#)
 - [Engine compartment distribution box F20-F32](#)
 - [Engine compartment distribution box F33-FH1](#)
 - [Central Electronic Module \(CEM\) F43-F52](#)
 - [Central Electronic Module \(CEM\) F53-F66](#)
 - [Central Electronic Module \(CEM\) F68-F86](#)
 - [Battery, PF1-PF2](#)
- [Ground connections](#)
 - [Overview](#)
 - [31/3 - 31/10](#)
 - [31/11 - 31/66](#)
 - [31/67 - 31/84](#)
 - [31/88 - 31/114](#)
 - [31/115 - Ground connections in chassis](#)
- [Control modules](#)
 - [Overview of locations](#)
 - [Overview of designations](#)
 - [Central Electronic Module \(CEM\) 1:2, 2:2](#)
 - [Data communication Low speed CAN 1:2, 2:2](#)
 - [Data communication LIN 1:2, 2:2](#)
 - [Data communication High speed CAN](#)
 - [Data communication MOST](#)
 - [Start Control Module \(SCU\)](#)
 - [Accessory Electronic Module \(AEM\)](#)
- [Group 23 Fuel system](#)
 - [Engine management system, 4-cyl 1.8l 1:2, 2:2](#)
 - [Engine management system, 5-cyl 1:2, 2:2](#)
 - [Engine management system, 5-cyl Turbo 1:2, 2:2](#)
 - [Engine management system Diesel 1:2, 2:2](#)

- [Emission control 4-cyl 1.8l](#)
- [Emission control, 5-cyl](#)
- [Emission control, 5-cyl Turbo](#)
- **Group 26 Cooling system**
 - [Cooling fan](#)
 - [Cooling fan Diesel](#)
- **Group 27 Engine control**
 - [Cruise control](#)
 - [Cruise control, Diesel](#)
- **Group 32 Alternator and voltage regulator**
 - [Power supply](#)
 - [Power supply, Diesel](#)
- **Group 33 Starting system**
 - [Starting system](#)
 - [Starting system, Diesel](#)
- **Group 35 Lighting**
 - [High and low beam](#)
 - [High and low beam \(Bi-Xenon\)](#)
 - [Manual beam length adjustment](#)
 - [Automatic head light leveling \(Bi-Xenon\)](#)
 - [Running/Parking lights, Tail lights](#)
 - [Running/Parking lights, Tail lights \(Bi-Xenon\)](#)
 - [Fog lights](#)
 - [Fog lights LHD, Japan](#)
 - [Brake lights](#)
 - [Reversing lights](#)
 - [Follow-me-home lighting](#)
 - [Interior lighting 1:2, 2:2](#)
 - [Instrument and control illumination](#)
 - [Auxiliary light](#)
- **Group 36 Additional electrical equipment**
 - [Rain Sensor](#)
 - [Direction indicators and flashing hazard lights](#)
 - [Direction indicators and flashing hazard lights \(Bi-Xenon\)](#)
 - [Windshield wiper/washer](#)
 - [Headlight washer](#)
 - [Wiper/washer, rear window](#)
 - [Horn](#)
 - [Immobilizer/Control module steering column lock \(SCL\)](#)
 - [Keyless Vehicle 1:2, 2:2](#)
 - [Anti-theft alarm](#)
 - [Parking assistance, rear](#)
 - [Parking assistance, front](#)
 - [Accessory Electronic Module \(AEM\)](#)
- **Group 37 Wiring and fuses**
 - [Diagnostics system](#)
 - [12V outlet](#)
 - [Tow hitch cable harness, 4-pin](#)
 - [Towbar cable harness, 7-pin](#)

- [Towbar cable harness, 13-pin](#)
- **Group 38 Instruments**
 - [Seat belt reminder](#)
 - [Driver information module](#)
- **Group 39 Other**
 - [Multimedia & Traffic information](#)
 - [Audio 1:2, 2:2](#)
 - [Cellular phone 1:2, 2:2](#)
 - [Subwoofer](#)
 - [Handsfree](#)
- **Group 43 Transmission**
 - [Automatic transmission AW55-51](#)
 - [Shift interlock](#)
 - [Transmission M66](#)
- **Group 59 Brake system**
 - [Brake control system](#)
 - [Brake control system & STC](#)
 - [Brake control system & DSTC](#)
- **Group 64 Steering**
 - [Electronic power steering](#)
- **Group 83 Doors and openings**
 - [Central locking, front doors](#)
 - [Central locking, rear doors](#)
 - [Central locking, trunk lid/tailgate](#)
 - [Child safety lock](#)
 - [Central locking, fuel filler flap](#)
 - [Signal receiver, remote-control, central locking](#)
 - [Power windows, front doors](#)
 - [Power windows, rear doors](#)
 - [Power sunroof](#)
- **Group 84 Exterior decorative elements, etc.**
 - [Power door mirrors](#)
 - [Heated door mirrors](#)
 - [Heated rear window](#)
- **Group 85 Interior equipment**
 - [Power driver's seat with memory function, LHD](#)
 - [Power driver's seat with memory function, RHD](#)
 - [Power driver's seat](#)
 - [Power passenger seat](#)
 - [Heated seats](#)
- **Group 87 Climate controls**
 - [Climate control system 4-cyl 1.8l 1:2, 2:2](#)
 - [Climate control system 1:2, 2:2](#)
 - [Climate control system Diesel 1:2, 2:2](#)
 - [Climate control system PTC element](#)
 - [Parking heater, auxiliary heater](#)
 - [Relay, electric engine heater](#)
- **Group 88 Internal equipment**
 - [Auto-dimming rear-view mirror](#)
 - [Supplemental Restraint System \(SRS\) 1:2, 2:2](#)

- Connectors

- [64/18 - 64/25G](#)
- [64/30:1-14](#)
- [64/30:15-20 - 64/31:1-5](#)
- [64/31:6-20](#)
- [64/34 - 64/41](#)
- [64/43](#)
- [64/45](#)
- [64/47 - 64/48 S40](#)
- [64/48 V50 - 64/49](#)
- [64/50 - 64/51](#)
- [64/51 - 64/79V](#)
- [64/81 - 64/90:1-11](#)
- [64/90:12-26](#)
- [64/90:27-41](#)
- [64/111](#)
- [64/112](#)
- [64/113](#)
- [64/120 - 64/425](#)
- [64/545 - 64/600](#)
- [64/650 - 64/816](#)
- [64/817 - 64/978](#)

- Branching points

- [64/1300](#)
- [63/5 - 63/29](#)
- [63/30 - 63/65](#)
- [63/67 - 63/95](#)
- [63/97 - 63/130](#)
- [63/139 - 63/196](#)
- [63/198 - 63/217 V50](#)
- [63/218 - 63/228](#)
- [63/229 - 63/422](#)
- [63/504G - 63/616](#)

- Cable harnesses' routing in the vehicle

- [Harness engine, Gasoline 4-cyl & 5-cyl](#)
- [Harness engine, Gasoline 5-cyl, Turbo & Diesel](#)
- [Harness engine compartment, 4-cyl and 5-cyl & Turbo](#)
- [Harness engine compartment, Diesel & Harness Dashboard](#)
- [Harness Infotainment](#)
- [Harness Floor S40](#)
- [Harness Floor V50](#)
- [Harness Ceiling S40/V50](#)
- [Harness Tunnel](#)
- [Harness Driver and Passenger door](#)
- [Harness Rear door, right and left](#)
- [Harness Trunk, S40/V50](#)

- Component illustrations

- [1/1 - 2/64](#)
- [2/80 - 2/192](#)

- [2/193 - 3/27](#)
- [3/35 - 3/75](#)
- [3/76 - 3/93](#)
- [3/94 - 3/155](#)
- [3/156 - 3/256](#)
- [3/258 - 4/46](#)
- [4/46 - 4/93](#)
- [4/102 - 6/1](#)
- [6/2 - 6/29](#)
- [6/32 - 6/64](#)
- [6/65 - 6/103](#)
- [6/104 - 7/6](#)
- [7/6 - 7/24](#)
- [7/24 - 7/56](#)
- [7/57 - 7/82](#)
- [7/93 - 7/120](#)
- [7/121 - 7/156](#)
- [7/156 - 7/179](#)
- [7/182 - 8/28](#)
- [8/30 - 8/40](#)
- [8/41 - 8/68](#)
- [8/71 - 8/99](#)
- [8/119 - 8/133](#)
- [8/134 - 9/25](#)
- [9/30 - 10/5](#)
- [10/6 - 10/19](#)
- [10/22 - 10/48](#)
- [10/50 - 10/68](#)
- [16/69 - 11/1](#)
- [15/31 - 16/16](#)
- [16/26 - 16/60](#)
- [16/62 - 16/126](#)
- [16/127 - 16/139](#)
- [16/140 - 20/3-7](#)
- [20/22 - 31/52](#)
- [31/66 - 31/110](#)
- [31/112 - 64/30](#)
- [64/31 - 64/50](#)
- [64/51 - 64/545](#)
- [64/599 - 64/978](#)
- [64/979 - 64X/322](#)
- [Index 1:2, 2:2](#)
- List of components
 - [List of components 1:4](#)
 - [List of components 2:4](#)
 - [List of components 3:4](#)
 - [List of components 4:4](#)

VOLVO
for life



VOLVO
WIRING DIAGRAM S40 (04-)/V50

TP 3978202
2005

Frame contained PDF file, click [here](#) to view

List of components 1:4

1/1	Battery	3/173	Switch, trunk lid/tailgate private lock
		3/174	Switch, reduced alarm
2/16	Relay, rear window wiper	3/217	Belt buckle contact, left rear
2/17	Relay, horn	3/218	Belt buckle contact, center rear
2/22	Relay, climate control system	3/219	Belt buckle contact, right rear
2/23	Relay fuel pump	3/254	Steering Wheel Module (SWM)
2/32	Main relay, engine management system	3/255	Position sensor, driver's seat
		3/256	Position sensor, passenger seat
2/34	Relay, front fog lights	3/258-3/265	Contact, locking
2/35	Relay, starter motor	3/267	Control unit, telematics
2/63	Relay, high beam		
2/64	Relay, auxiliary light (accessory)	4/7	Combustion Preheater Module (CPM)
2/80	Relay, reversing lights	4/9	Supplemental Restraint System Module (SRS)
2/82	Relay, heated rear window	4/16	Brake Control Module (BCM)
2/89	Relay, interior lighting	4/28	Transmission Control Module (TCM)
2/92	Relay, windshield washer motor	4/31	Fan control module
2/93	Relay, rear window washer motor	4/33	Sunroof control module
2/142	Relay, pre-heater, fuel filter	4/46	Control module engine (ECM), 4-CYL
2/159	Relay, infotainment	4/46	Control module engine (ECM), 5-CYL
2/182	Relay, headlight washer motor	4/46	Control module engine (ECM), Turbo
2/192	Relay (230V) electric engine heater, 4-CYL	4/46	Engine Control Module (ECM), Diesel
		4/52	Power Seat Module (PSM)
2/192	Relay (230V) electric engine heater, 5-CYL	4/56	Central Electronic Module (CEM)
		4/71	Cooling fan control module
2/193	Relay, comfort functions	4/78	Accessory Electronic Module (AEM)
		4/82	Differential Electronic Module (DEM)
3/1	Ignition switch	4/83	Control module fuel pump
3/4	Control unit, cruise control (SWS)	4/86	Control module, Parking Assistance Module (PAM)
3/6	Switch, hazard warning flashers		
3/8	Switch, electrically heated rear window/rear-view mirrors	4/93	Keyless Vehicle Module (KVM)
		4/102	Steering Column Lock Module (SCL)
3/9	Contact brake light	4/103	Remote Entry (RRX)
3/10	Reversing light contact	4/103	Remote Entry (RRX), Keyless vehicle
3/25	Switch, power sunroof	4/109	Glow plug control module
3/26	Switch unit, power driver's seat	4/110	Trailer Module (TRM)
3/27	Switch unit, power passenger seat	4/111	Additive Dosing Module (ADM)
3/35	Switch, handle trunk/tailgate	4/112	Control module, gas discharge lamp master, left
3/37	Contact horn	4/113	Control module, gas discharge lamp slave, right
3/39	Contact clutch pedal, Gasoline		
3/39	Contact clutch pedal, Diesel	5/1	Driver Information Module (DIM)
3/46	Seat contact, passenger seat		
3/47	Parking brake contact	6/1	Wiper Motor Module (WMM)
3/60	Switch, auxiliary lights	6/2	Washer pump
3/62	Hood alarm contact	6/16	Motor driver's seat, backrest angle
3/74	Lock unit, driver's door	6/17	Motor driver's seat, up/down front edge
3/75	Lock unit, passenger door	6/18	Motor driver's seat, up/down rear edge
3/76	Lock unit, left rear door	6/19	Motor driver's seat, fore/aft
3/77	Lock unit, right rear door	6/20	Motor passenger seat, fore/aft
3/78	Lock unit, trunk lid/tailgate	6/25	Starter motor
3/80	Switch, central locking driver's door	6/26	Generator
3/81	Switch, power windows driver's door	6/28	Motor, passenger compartment fan
3/82	Switch, central locking passenger door	6/29	Motor, electric cooling fan
3/83	Switch, power window passenger door	6/32	Rear window wiper motor
3/85	Power window switch, left rear door	6/33	Fuel pump
3/86	Power window switch, right rear door	6/35	Fuel pump, auxiliary heater
3/93	Contact belt buckle, driver's seat	6/37	Lock motor, fuel filler flap
3/94	Contact belt buckle, passenger seat	6/38	Motor, left headlight adjustment
3/95	Spin control switch	6/39	Motor, right headlight adjustment
3/111	Switch unit, lights	6/48	Damper motor, recirculation
3/112	Climate Control Module (CCM)	6/62	Power rear-view mirror driver's door
3/117	Switch unit, ceiling light	6/63	Power rear-view mirror passenger door
3/126	Driver's Door Module (DDM)	6/64	Motor passenger seat, backrest angle
3/127	Passenger Door Module (PDM)	6/65	Motor passenger seat, up/down front edge
3/128	Left Rear Door Module (LDM)	6/66	Motor passenger seat, up/down rear edge
3/129	Right Rear Door Module (RDM)	6/67	Pump, fuel leakage control
3/155	Program selector, automatic transmission	6/71	Electrical Power Steering Module (EPS)
3/156	Gear Selector Module (GSM)	6/73	Coolant pump, auxiliary heater
3/157	Switch, Passenger Airbag Cut Off Switch (PACOS)	6/95	Damper motor, temperature, left-hand side
		6/96	Damper motor, temperature, right-hand side

List of components 2:4

6/99	Engine EGR	7/164	Body Sensor Cluster (BSC)
6/102	Damper motor, defroster	7/165	Pressure and temperature sensor, intake manifold
6/103	Damper motor, floor/ventilation		
6/104	Pump, high pressure headlight washer	7/172	Position sensor camshaft, intake side
6/114	Vacuum pump	7/173	Position sensor camshaft, exhaust side
6/117	Interior temperature sensor	7/178	Front impact sensor, right
6/120	Engine throttle body	7/179	Front impact sensor, left
		7/182	Remote control IR sensor, RTI
7/3	Temperature sensor battery	7/193	Position sensor turbo
7/4	Brake fluid level sensor	7/194	Sensor belt roller, driver
7/5	Washer fluid level sensor	7/195	Sensor belt roller, passenger
7/6	Oil pressure monitor, 4-CYL	7/204 -7/207	Sensor parking assistance 5-8
7/6	Oil pressure monitor, 5-CYL		
7/6	Oil pressure monitor, Turbo	8/3	Electromagnetic clutch, climate control system
7/6	Oil pressure monitor, Diesel	8/6-10	Injection valves
7/8	Pressure sensor, climate control system	8/18	EVAP valve
7/12	Solar sensor, twilight sensor and indicator alarm	8/19	Solenoid, variable valve timing, intake
		8/28	Turbocharger control valve
7/15	Heated oxygen sensor, front	8/30	Igniter airbag, driver's side
7/16	Sensor, coolant temperature	8/31	Airbag igniter, passenger side
7/17	Mass air flow sensor MAF, 5-CYL	8/32	Igniter, airbag stage 2, passenger side
7/17	Mass air flow sensor MAF, Turbo	8/33	Igniter, belt tensioner, driver's side
7/17	Mass airflow sensor MAF, Diesel	8/34	Igniter, belt tensioner, passenger side
7/24	Knock sensor front, 4-CYL	8/36	Solenoid shift lock
7/24	Knock sensor front, 5-CYL	8/37	Automatic transmission
7/24	Knock sensor front, Turbo	8/38	Shift solenoid 1
7/25	Impulse sensor, 4-CYL	8/39	Shift solenoid 2
7/25	Impulse sensor, 5-CYL	8/40	Lock-up solenoid
7/25	Impulse sensor, Turbo	8/41	Pressure solenoid
7/25	Impulse sensor, Diesel	8/48	Auto-dimming rearview mirror
7/31	Sensor ABS, front left	8/51	Igniter side airbag, driver's side
7/32	Sensor ABS, front right	8/52	Igniter side airbag, passenger side
7/41	Temperature sensor evaporator	8/55	Igniter, left rear belt tensioner
7/51	Accelerator pedal sensor	8/56	Igniter, right rear belt tensioner
7/56	Sensor ABS, rear left	8/61	Igniter airbag, driver's side, stage 2
7/57	Sensor ABS, rear right	8/66	Igniter, left inflatable curtain
7/61	Sensor input speed	8/67	Igniter, right inflatable curtain
7/62	Sensor output speed	8/68	Bypass valve
7/69	Sensor outdoor temperature	8/71	Throttle solenoid
7/71	Sensor boost pressure	8/72	Shift solenoid 3
7/74	Sensor oil temperature, automatic transmission	8/73	Shift solenoid 4
7/77	Temperature sensor, intake air 1	8/74	Shift solenoid 5
7/77	Temperature sensor, intake air 2	8/77	Control valve fuel volume
7/81	Pressure sensor, intake manifold	8/81	Solenoid, variable valve timing outlet
7/82	Heated oxygen sensor, rear	8/82	Solenoid, variable turbo geometry
7/93	Occupant Weight Sensor (OWS)	8/84	Switch, vacuum pump
7/100	Level sensor alarm, S40	8/92	Lap belt tensioner, driver
7/100	Level sensor alarm, V50	8/99	Igniter, steering column
7/108	Side impact sensor, rear left	8/119	Pressure monitor, climate control system
7/109	Side impact sensor, rear right	8/120	EGR valve
7/110	Sensor temperature driver's seat	8/120	EGR valve, Diesel
7/111	Sensor temperature passenger seat	8/121	Valve coolant
7/115	Side impact sensor, front left	8/127	Pressure switch, climate control system
7/116	Side impact sensor, front right	8/128	Driver's belt force limiter
7/120	Angle sensor, Bi-Xenon rear	8/129	Passenger belt force limiter
7/121	Angle sensor, Bi-Xenon front	8/131	Shut-off valve, expansion tank
7/122	Mass movement sensor, front	8/132	Control valve inlet
7/123	Sensor clutch pedal, Gasoline	8/133	Control valve fuel pressure
7/123	Sensor clutch pedal, Diesel	8/134	Solenoid, reverse interlock, manual
7/124	Sensor brake pedal		
7/131-7/134	Sensor parking assistance 1-4	9/1	Front 12V outlet
7/143	Sensor fuel level, pump side	9/2	Heated rear window
7/149	Rain Sensor Module (RSM)	9/12	Seat Heater Module (SHM), driver's side
7/154	Sensor fuel temperature	9/13	Seat Heater Module (SHM), passenger side
7/156	Pressure and temperature sensor fuel, 5-CYL	9/16	Heating coil, backrest driver's seat
7/156	Pressure and temperature sensor fuel, Turbo	9/17	Heating coil, backrest passenger seat
7/158	Mass movement sensor rear	9/18	Heating coil, seat cushion driver's seat
7/159	Air quality sensor	9/19	Heating coil, seat cushion passenger seat
7/162	Pressure sensor, fuel line	9/25	Rear 12V outlet

List of components 3:4

9/30	Auxiliary heater	16/26	Speaker, dashboard middle, RTI
9/32	PTC resistor, oil trap	16/35	Siren (SCM), S40
9/33	Electrically heated rear-view mirror, driver's door	16/35	Siren (SCM), V50
9/34	Electrically heated rear-view mirror, passenger door	16/46	RTI Display
9/38	Electrically heated fuel filter	16/47	GPS antenna RTI
9/41	PTC-element	16/49	Traffic Message Channel Module (TMC)
10/1	Lamp housing, front left	16/55	Treble speaker, driver's door
10/2	Lamp housing, front right	16/56	Treble speaker, passenger door
10/3	License plate lighting	16/60	Phone Module (PHM)
10/5	Fog light, front left	16/62	Hand unit, cellular phone
10/6	Fog light, front right	16/64	Antenna, cellular phone
10/11	Running/parking light, front left	16/79	Subwoofer Module (SUB)
10/12	Running/parking light, front right	16/93	Control module, cellular phone handsfree
10/13	Direction indicator, front left	16/94	AM/FM Tuner Module (AFM)
10/14	Direction indicator, front right	16/98	Microphone
10/15	Direction indicator, rear-view mirror driver's door	16/105	Audio Module (AUD)
10/16	Direction indicator, rear-view mirror passenger door	16/107	Media Player Module (MPM)
10/17	Lamp housing, rear right	16/108	Multimedia Module (MMM)
10/18	Lamp housing, rear left	16/126	Holder, handsfree cellular phone
10/19	Brake light extra	16/127	Microphone, handsfree cellular phone
10/22	Ceiling light	16/128-16/131	Antenna door lock front
10/24	Cargo compartment lighting	16/132	Antenna door lock cargo compartment
10/25	Ceiling light, cargo compartment	16/133	Antenna door lock cabin 1 rear
10/29	Glove compartment lighting	16/134	Antenna door lock cabin 2
10/43	Brake light, right	16/135	Antenna door lock cabin 3
10/44	Tail light 1, right	16/136	Treble speaker, left rear door
10/45	Tail light 2, right	16/137	Treble speaker, right rear door
10/46	Fog light, right rear	16/138	Rear window antenna, right
10/47	Direction indicator, right rear	16/139	Global Positioning System Module (GPS)
10/48	Reversing light, right	16/140	SIM card reader
10/50	Brake light, left	16/141	Interference filter, rear window, left
10/51	Tail light 1, left	16/142	Interference filter, rear window, right
10/52	Tail light 2, left	17/13	Data link connector
10/53	Fog light, left rear	17/19	12V outlet, cargo compartment
10/54	Direction indicator, left rear	17/37	4-pin outlet, tow hitch cable harness
10/55	Reversing light, left	17/38	7-pin outlet, tow hitch cable harness
10/64	High beam, right	17/39	13-pin outlet, tow hitch cable harness
10/65	Auxiliary light, front right	18/4	Contact reel
10/66	Low beam, right	20/3-7	Spark plug and ignition coil
10/68	High beam, left	20/22-25	Glow plug
10/69	Auxiliary light, front left	31/3	Ground connection, Left strut tower
10/70	Low beam, left	31/4	Ground connection, Engine
10/97	Courtesy lighting, left	31/6	Ground connection, A-pillar driver side
10/102	Courtesy lighting, right	31/10	Ground connection, A-pillar passenger side
10/114	Vanity mirror lighting, left	31/11	Ground connection, Left side rear, S40
10/115	Vanity mirror lighting, right	31/11	Ground connection, Left side rear, V50
10/148	Lighting, rear-view mirror driver's door	31/12	Ground connection, Right side rear, S40
10/149	Lighting, rear-view mirror passenger door	31/12	Ground connection, Right side rear, V50
10/150	Rear reading light	31/52	Ground connection, Left strut tower
11/1	Suspended fuse (cargo compartment)	31/66	Ground connection, Left B-pillar
15/31	Distribution box in engine compartment	31/67	Ground connection, Right B-pillar
16/1	Infotainment Control Module (ICM)	31/80	Ground connection, Left strut tower
16/3	Speaker, passenger door	31/83	Ground connection, A-pillar driver side
16/4	Speaker, driver's door	31/84	Ground connection, A-pillar passenger side
16/5	Speaker, right rear door	31/88	Ground connection, Engine
16/6	Speaker, left rear door	31/89	Ground connection, Engine
16/9	Window antenna	31/102	Ground connection, Frame member, Gasoline
16/10	Horn 1	31/102	Ground connection, Frame member, Diesel
16/11	Horn 2	31/110	Ground connection, Right strut tower
16/16	Window antenna amplifier	31/112	Ground connection, Right strut tower
16/26	Speaker, dashboard middle	31/114	Ground connection, Left strut tower
		31/115	Ground connection, Left A-pillar
		31/116	Ground connection, Right A-pillar
		31/119	Ground connection, Left strut tower

List of components 4:4

63/no.	Branching point	64/600	Connector
		64/814	Connector
64/12	Connector	64/815	Connector
64/18	Connector	64/816	Connector
64/25G	Connector	64/817	Connector
64/30	Connector	64/861	Connector
64/31	Connector	64/862	Connector
64/34	Connector	64/977A	Connector
64/40	Connector	64/978	Connector
64/41	Connector	64/979	Connector
64/43	Connector	64/979G	Connector
64/45	Connector		
64/47	Connector	F/no.	Fuse
64/48	Connector S40	F/no.	Fuse
64/48	Connector V50	FH/no.	Fuse in holder
64/50	Connector	PF/no.	Main fuse by battery
64/51	Connector	R/no.	Relay
64/79V	Connector	R/no.	Relay
64/81	Connector	R/no.	Relay
64/90	Connector		
64/111	Connector	10X/17	Connector interface, original car
64/112	Connector	10X/18	Connector interface, original car
64/113	Connector	16X/105	Connector interface, original car
64/322	Connector	17X/19	Connector interface, original car
64/425	Connector	64X/12	Connector interface, original car
64/545	Connector	64X/322	Connector interface, original car
64/599	Connector		

Vehicles with SRS (Airbag)/SIPS bag/ IC (Inflatable Curtain)

Warning!

Extra caution must be exercised when working on vehicles equipped with SRS/SIPS bag/IC in order to avoid:

1. Personal injuries when performing repair work.
2. Damage or malfunction of the SRS/SIPS bag/IC system.

Work involving the SRS/SIPS bag/IC systems or other components in the vehicle that may affect the SRS/SIPS bag/IC systems must always be performed by an authorized Volvo workshop.

In case of doubt, consult the SRS and SIPS bag/IC service manual.

Is the vehicle equipped with SRS/SIPS bag/IC ?

Vehicles with SRS are most easily recognized by the letters SRS in the center of the steering wheel. If the vehicle also has a passenger side airbag, the letters SRS are stamped on the dashboard above the glove compartment. SRS vehicles from 1993 and onward also have explosive seat belt tensioners. SIPS bags are only installed on SRS vehicles from 1995 and onward. SIPS bag decals are located on the windshield and seat compartment. Vehicles with IC can be recognized by the letters IC on the C/D panel (4 door) or the B panel (5 door).

General recommendations

- Be especially careful when working on or around SRS, SIPS, and IC components.
- Make sure that no wires are pinched, frayed, or pierced.
- Never install accessories by the sensors.
- Where applicable, work on the steering wheel, steering shaft, or steering gear must be done in accordance with the methods in the SRS section of VADIS.
- Certain components of the aforementioned systems must be grounded while working. Read the appropriate sections in VADIS.
- Install no accessories in the areas between the A and B posts, the B and C posts, and the C and D posts.

Test terminal

Data link connector in the passenger compartment.

Changes introduced up to and incl. June 2004

Any changes made to the vehicles after this date are not included in the manual. If necessary refer to service bulletins.

Volvo models are sold in versions adapted for different markets. These adaptations depend on factors such as legal requirements, taxation, and market demands.

This manual may therefore include illustrations and text that do not apply to

Order number TP 3978202

Replaces earlier publication 3978201 on Electronic Wiring Diagram (EWD) TP 3978001
With reservation for changes

Table of Contents 1:2

Vehicles with SRS (Airbag)/SIPS bag/ IC (Inflatable Curtain).....	2
Abbreviations.....	5
How to use the wiring diagrams 1:2.....	6
Electrical distribution 1:2.....	8

Relays

Ignition switch and relays.....	10
Distribution box in engine compartment R1-R14.....	11
Central Electronic Module (CEM) R15-R18.....	12
Relays - soldered.....	13

Fuses

Engine compartment distribution box F1-F8.....	14
Engine compartment distribution box F9-F18.....	15
Engine compartment distribution box F20-F32.....	16
Engine compartment distribution box F33-FH1.....	17
Central Electronic Module (CEM) F43-F52.....	18
Central Electronic Module (CEM) F53-F66.....	19
Central Electronic Module (CEM) F68-F86.....	20
Battery, PF1-PF2.....	21

Ground connections

Overview.....	22
31/3 - 31/10.....	23
31/11 - 31/66.....	24
31/67 - 31/84.....	25
31/88 - 31/114.....	26
31/115 - Ground connections in chassis.....	27

Control modules

Overview of locations.....	28
Overview of designations.....	29
Central Electronic Module (CEM) 1:2.....	30
Data communication Low speed CAN 1:2.....	32
Data communication LIN 1:2.....	34
Data communication High speed CAN.....	36
Data communication MOST.....	37
Start Control Module (SCU).....	38
Accessory Electronic Module (AEM).....	39

Group 23 Fuel system

Engine management system, 4-cyl 1.8l 1:2.....	40
Engine management system, 5-cyl 1:2.....	42
Engine management system, 5-cyl Turbo 1:2.....	44
Engine management system Diesel 1:2.....	46
Emission control 4-cyl 1.8l.....	48
Emission control, 5-cyl.....	49
Emission control, 5-cyl Turbo.....	50

Group 26 Cooling system

Cooling fan.....	51
Cooling fan Diesel.....	52

Group 27 Engine control

Cruise control.....	53
Cruise control, Diesel.....	54

Group 32 Alternator and voltage regulator

Power supply.....	55
Power supply, Diesel.....	56

Group 33 Starting system

Starting system.....	57
Starting system, Diesel.....	58

Group 35 Lighting

High and low beam.....	59
High and low beam (Bi-Xenon).....	60
Manual beam length adjustment.....	61
Automatic head light leveling (Bi-Xenon).....	62
Running/Parking lights, Tail lights.....	63
Running/Parking lights, Tail lights (Bi-Xenon).....	64
Fog lights.....	65
Fog lights LHD, Japan.....	66
Brake lights.....	67
Reversing lights.....	68
Follow-me-home lighting.....	69
Interior lighting 1:2.....	70
Instrument and control illumination.....	72
Auxiliary light.....	73

Group 36 Additional electrical equipment

Rain Sensor.....	74
Direction indicators and flashing hazard lights.....	75
Direction indicators and flashing hazard lights (Bi-Xenon).....	76
Windshield wiper/washer.....	77
Headlight washer.....	78
Wiper/washer, rear window.....	79
Horn.....	80
Immobilizer/Control module steering column lock (SCL).....	81
Keyless Vehicle 1:2.....	82
Parking assistance, rear.....	85
Parking assistance, front.....	86
Accessory Electronic Module (AEM).....	87

Group 37 Wiring and fuses

Diagnostics system.....	88
12V outlet.....	89
Tow hitch cable harness, 4-pin.....	90
Towbar cable harness, 7-pin.....	91
Towbar cable harness, 13-pin.....	92

Group 38 Instruments

Seat belt reminder.....	93
Driver information module.....	94

Group 39 Other

Multimedia & Traffic information.....	95
Audio 1:2.....	96
Cellular phone 1:2.....	98
Subwoofer.....	100
Handsfree.....	101

Table of Contents 2:2

Group 43 Transmission

Automatic transmission AW55-51.....	102
Shift interlock.....	103
Transmission M66.....	104

Group 59 Brake system

Brake control system.....	105
Brake control system & STC.....	106
Brake control system & DSTC.....	107

Group 64 Steering

Electronic power steering.....	108
--------------------------------	-----

Group 83 Doors and openings

Central locking, front doors.....	109
Central locking, rear doors.....	110
Central locking, trunk lid/tailgate.....	111
Child safety lock.....	112
Central locking, fuel filler flap.....	113
Signal receiver, remote-control, central locking.....	114
Power windows, front doors.....	115
Power windows, rear doors.....	116
Power sunroof.....	117

Group 84 Exterior decorative elements, etc.

Power door mirrors.....	118
Heated door mirrors.....	119
Heated rear window.....	120

Group 85 Interior equipment

Power driver's seat with memory function, LHD.....	121
Power driver's seat with memory function, RHD.....	122
Power driver's seat.....	123
Power passenger seat.....	124
Heated seats.....	125

Group 87 Climate controls

Climate control system 4-cyl 1.8l 1:2.....	126
Climate control system 1:2.....	128
Climate control system Diesel 1:2.....	130
Climate control system PTC element.....	132
Parking heater, auxiliary heater.....	133
Relay, electric engine heater.....	134

Group 88 Internal equipment

Auto-dimming rear-view mirror.....	135
Supplemental Restraint System (SRS) 1:2.....	136

Connectors..... 138

Branching points160

Cable harnesses' routing in the vehicle

Harness engine, Gasoline 4-cyl.....	169
Harness engine, Gasoline 5-cyl.....	169
Harness engine, Gasoline 5-cyl, Turbo.....	170
Harness engine, Diesel.....	170
Harness engine compartment, 4-cyl.....	171
Harness engine compartment, 5-cyl & Turbo.....	171
Harness engine compartment, Diesel.....	172
Harness Dashboard.....	172
Harness Infotainment.....	173
Harness Floor S40.....	174
Harness Floor V50.....	175
Harness Ceiling S40.....	176
Harness Ceiling V50.....	176
Harness Tunnel.....	177
Harness Driver door.....	178
Harness Passenger door.....	178
Harness Rear door, right.....	179
Harness Rear door, left.....	179
Harness Trunk, S40.....	180
Harness Tailgate, V50.....	180

Component illustrations181

Index 224

List of components 1:4

Explanations

Abbreviations

Groups

Group 23	= Fuel system
Group 26	= Cooling system
Group 27	= Engine controls
Group 32	= Alternator and voltage regulator
Group 33	= Starting system
Group 35	= Lighting
Group 36	= Additional electrical equipment
Group 37	= Wiring and fuses
Group 38	= Instruments
Group 39	= Other
Group 43	= Transmission
Group 59	= Brake system
Group 64	= Steering
Group 83	= Doors and openings
Group 84	= Exterior decorative elements, etc.
Group 85	= Interior equipment
Group 87	= Climate controls
Group 88	= Internal equipment

Ignition switch symbols

X	= Accessories (audio position)
S	= Powered upon insertion of key
15	= Contact remains connected during start
15l	= Contact is broken while starting
30	= Constant power from the battery
50	= Start

Countries/Markets

A	= Austria
AUS	= Australia
B	= Belgium
CDN	= Canada
CH	= Switzerland
D	= Germany
DK	= Denmark
E	= Spain
EU/OS	= Markets outside USA and Canada
FIN	= Finland
GB	= Great Britain
ISR	= Israel
Y	= Japan
KOR	= Korea
N	= Norway
NL	= Netherlands
S	= Sweden
USA	= United States of America
WEU	= Western Europe

Other

AUTO	= Automatic transmission
AWD	= Four-wheel drive
CAN	= CAN communication
DIESEL	= Diesel
DPY	= Display
ECC	= Electronic climate control system
ETA	= Engine throttle body
EXT. X	= Extended X-feed
GDL	= Gas discharge lamp
HISPEED	= High speed data bus
IR	= IR sensor
LIN	= LIN communication
LHD	= Left-hand drive
LOSPEED	= Low speed data bus
MAN	= Manual transmission
MEMORY	= Memory driver seat
MMS	= Mass Movement Sensor
GASOLINE	= Gasoline
RHD	= Right-hand drive
SCR	= Screen
SRS	= Airbag
T	= Turbocharged engine
W/O	= Without
2WD	= Two-wheel drive
4CYL	= 4-cylinder engine
5CYL	= 5-cylinder engine

Colors

BK, SB	= Black
BN	= Brown
BU, BL	= Blue
GN	= Green
GY, GR	= Gray
LGN	= Light Green
OG, OR	= Orange
PK, P	= Pink
RD, R	= Red
VT, VO	= Violet
WH, W	= White
YE, Y	= Yellow

How to use the wiring diagrams 1:2

The descriptions below apply in general to all wiring diagram manuals, although not all sections are necessarily contained in this manual.

A. Component designation

Every component has a component designation that consists of two parts.

The first part is a type number that describes the type of component in question, for example 3/xx.

The second part of the designation is a serial number, for example. x/2.

Together, this constitutes a component designation, for example 3/2.

At the end of the manual is a list of components, where, with the help of the component designation, you can read off the name of the component, for example, 3/2 = light switch.

List of type numbers

The list shows which type of component that respective type numbers refer to, for example, 3/x = switch, 6/x = electric motor, etc.

1	Battery
2	Relay
3	Switch
4	Control module
5	Driver information module
6	Electric motor
7	Sensor
8	Actuator
9	Heating element
10	Lamp
11	Fuse
15	Electrical distribution rail/box
16	Audio
17	Service/diagnostics
18	Contact reel
19	Meter
20	Ignition component/shunt
27	Optics
31	Ground connection
63	Branching point
64	Connector

B. Branching points

The wiring diagrams contain numbered branching points, for example 63/352.

This manual contains a section with a list of branching points. This list shows all the components that are connected to each branching point.

The location of the branching points is shown in the "Cable harness routing in vehicle" section.

C. Connectors

Connectors provide a bridge between two cable harnesses and are described in the "Connectors" section.

D: Electrical distribution

Operation of the fuses and relays is shown in the "Electrical distribution" section.

E. Data communication

Today's cars contain CAN and MOST networks that transfer information. Connections to these networks are not shown in their entirety in the respective wiring diagram. Complete information on CAN and MOST communication is found in the section "Control modules".

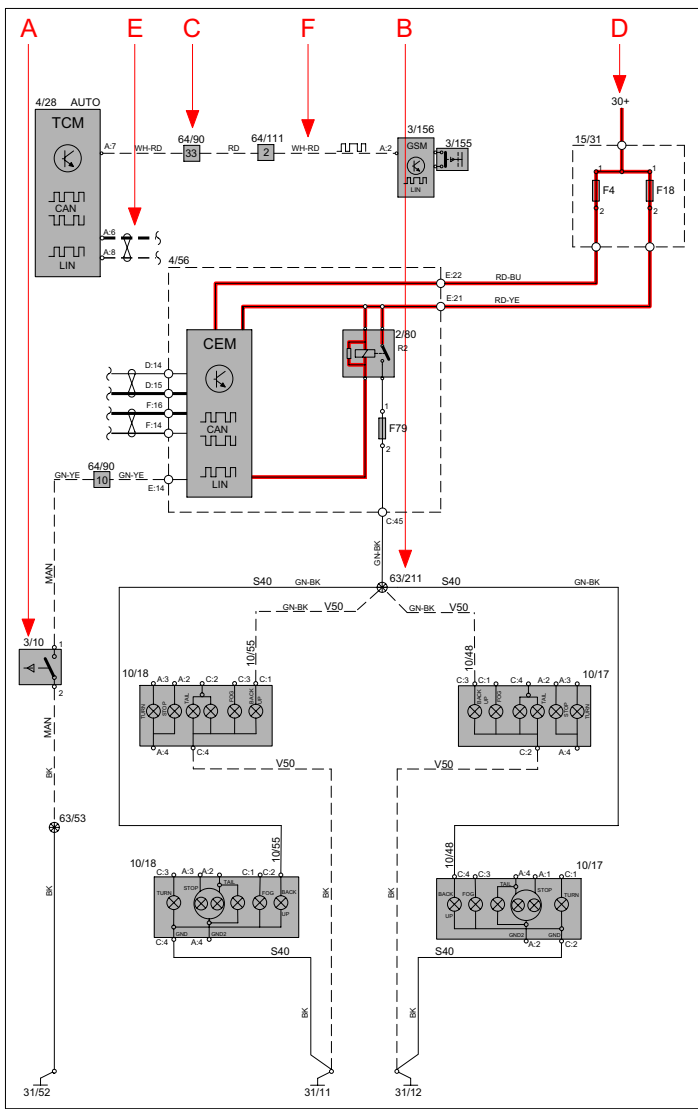
F. Abbreviations

A number of different abbreviations are used in the manual. These are explained in the section "Abbreviations".


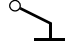
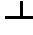
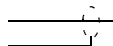

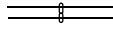

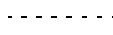
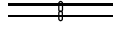
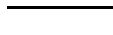
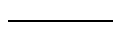
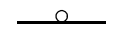

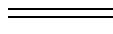


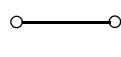
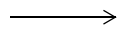


G. Component location

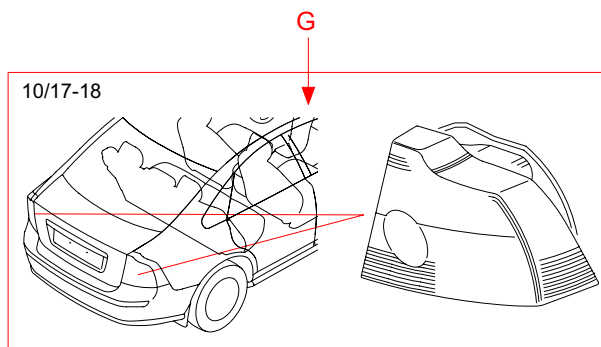
There is a section at the end of the manual in which the appearance and location of components is described in numerical order.

How to use the wiring diagrams 2:2

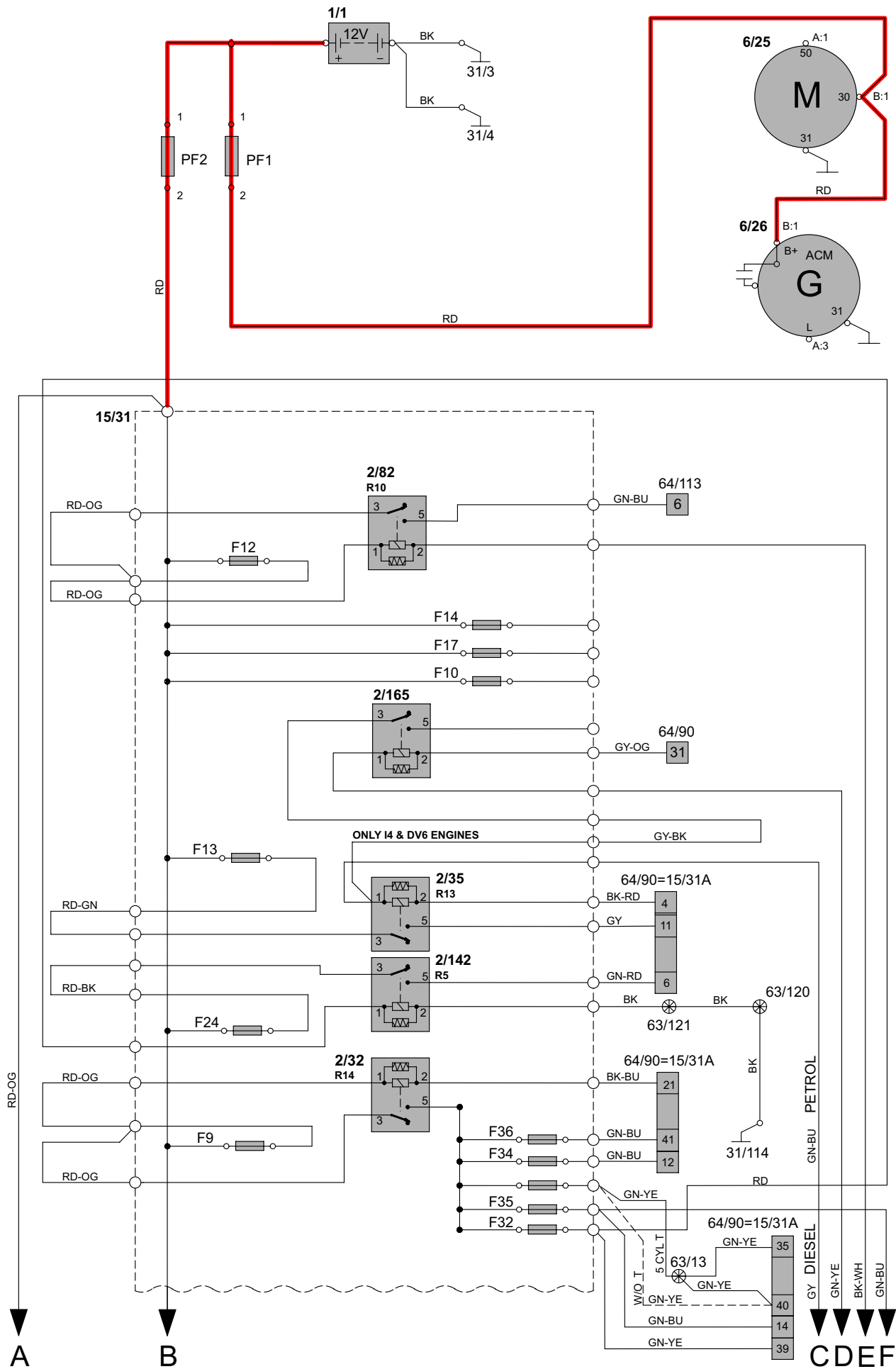


List of symbols

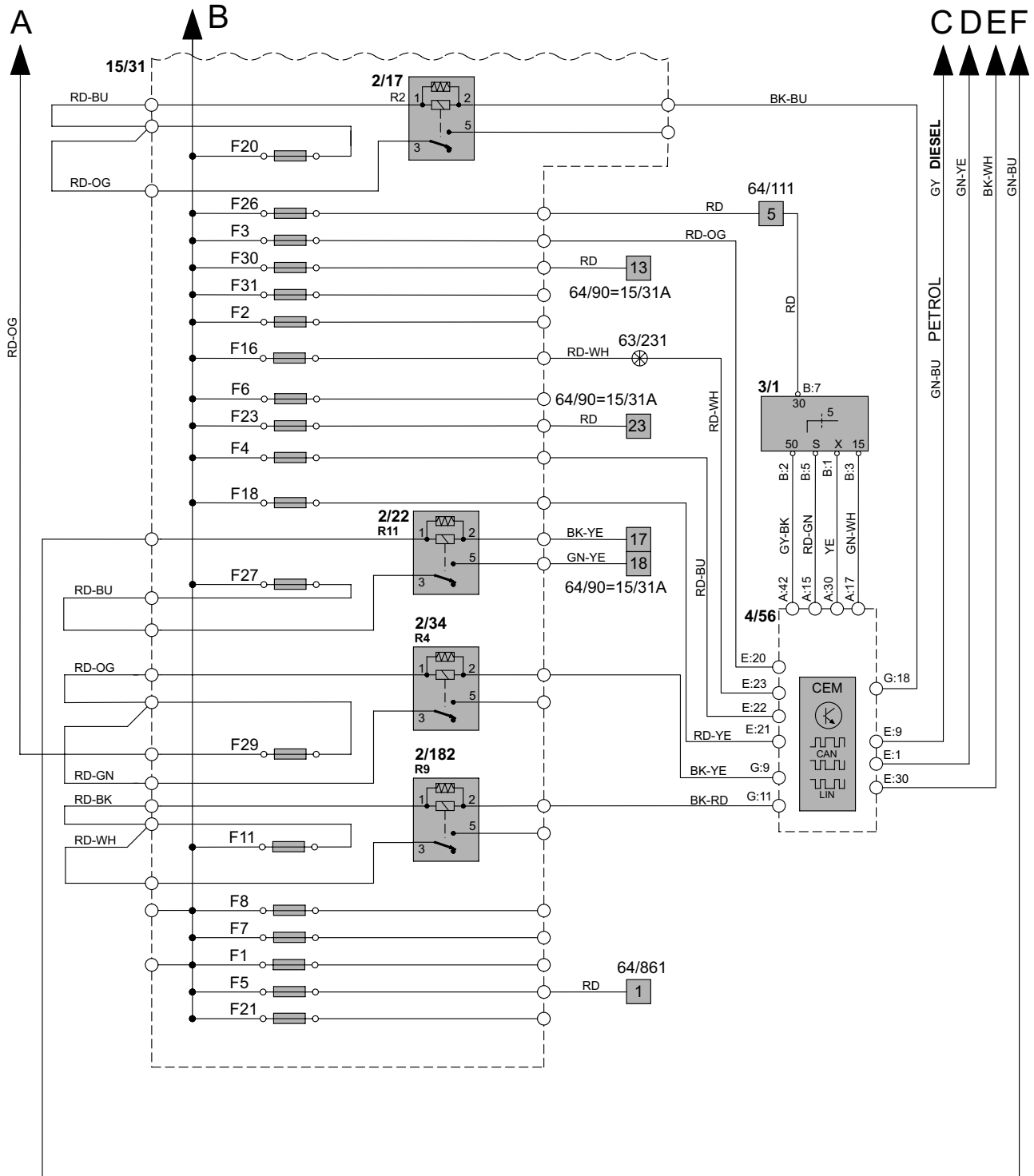
-  = System voltage
-  = Ground connection via wiring
-  = Ground connection on component/chassis
-  = Screened wire
-  = Branching point
-  = Twisted cable
-  = Electrical connection
-  = Variant
-  = CAN communication
-  = CAN high data signal (CAN H)
-  = CAN low data signal (CAN L)
-  = MOST communication
-  = LIN communication
-  = DIN cable, coaxial cable, etc.
-  = Data communication
-  = CAN communication
-  = Connection with distribution box
-  = Further connection to...
-  = Connector between cable harnesses
-  = Connector connected to component



Electrical distribution 1:2 Overview

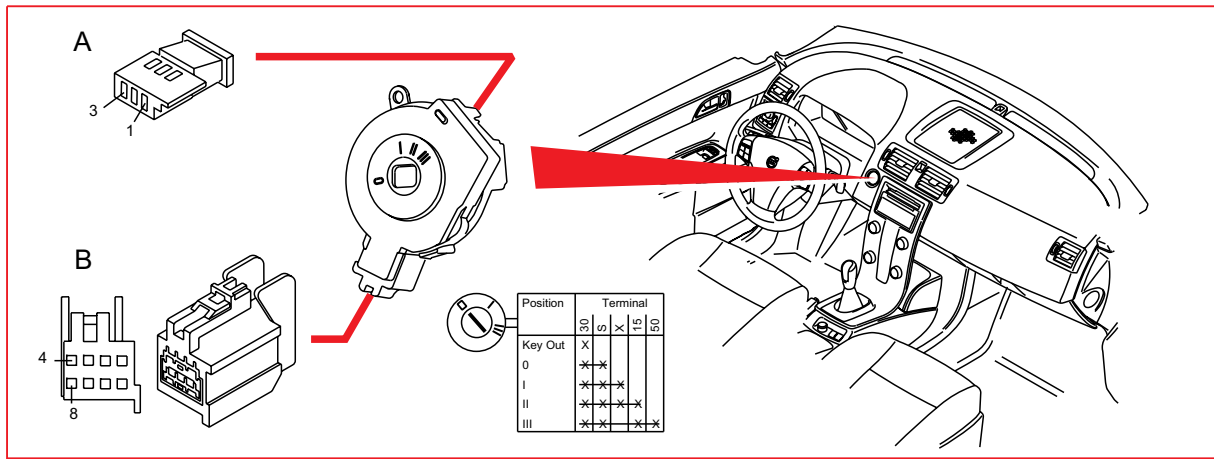


Electrical distribution 2:2 Overview



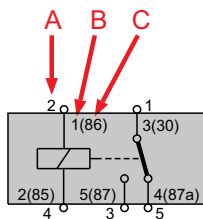
Relays

Ignition switch and relays



Relays, general

The diagram indicates two or three different designations for the relay's position. This is described below.



- A = Corresponds to the position on the back of the relay box (wiring side)
- B = Corresponds to the position on the relay.
- C = An old designation that may be found on the relay.